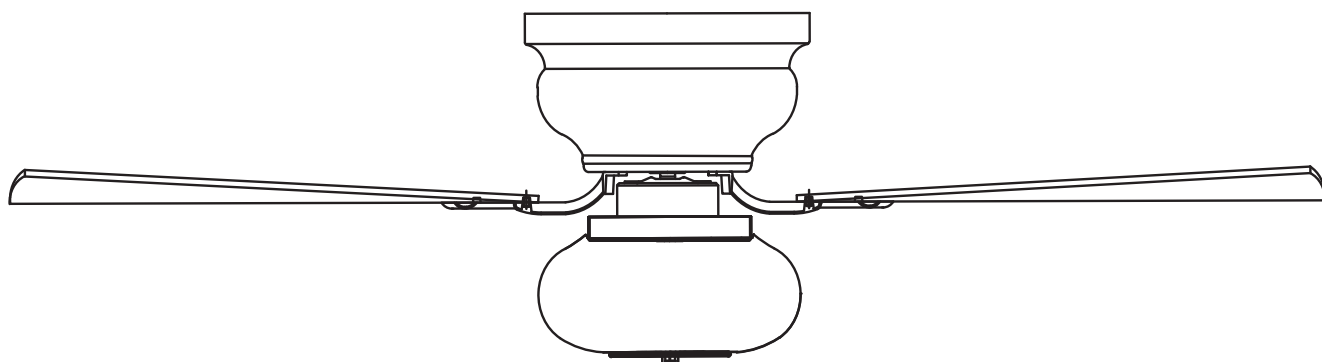




Parrot Uncle

# F6386110V



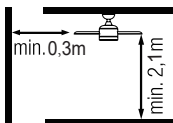
English

## Sicherheit information

1. To reduce the risk of an electrical blow, electricity on the protective switch or the safety box went out before starting.
2. All wiring must correspond to the NASI/NFPA 70-1999 National Electric Code and local electrical regulations. The electrical installation must be carried out by a qualified and approved electrician.
3. The connection box and support construction must be assembled safely and 35 pounds (15.9 kilos) must be able to transport reliably. Use only output boxes listed with labeling

"Accepted for fans with a weight of £ 35 (15.9 kilos) or less."

4. The fan must be installed with a minimum distance of 2.1 m (7 feet) from the posterior edge of the blades to the floor. Make sure that there is a space of at least 30 cm between the fan's blades and any wall or other obstacle with which they could collide. It is important to note that the greater the distance, the more efficient the airflow would be.



5. Do not operate the reverse switch if the fan blades are moving. You have to turn off the fan and stop the blades before reverse the direction of the blades.
6. Do not place objects on the road to blades.
7. To avoid lesions or damage to the fan and other objects, be careful if you work on the fan or clean it.
8. Electrical diagrams only serve as a reference. The lighting rates that are not delivered with the fan must be listed and marked with the valve model that will be installed for use. The switches must be general use switches UL. Take into account the instructions for the appropriate installation included in the lighting rates and the switches.
9. After the electrical connections have been made, the size staircase must be turned up and carefully push to the plug box. The cables must be distributed in such a way that the ground connected driver and the device head are next to the socket.



WARNING: To reduce the risk of injury, blade brackets cannot be folded during installation or after installation. Do not put any object on the path of blades.



WARNING: Remove rubber motor attacks at the bottom of the fan before mounting the blades or try the motor.



WARNING: To avoid the risk of a fire or an electrical blow, this fan should not be used with a semiconductor speed controller.



WARNING: To avoid a possible electric shock, turn off the current in the main security box before wiring. If you feel that you do not have enough knowledge or experience in electrical wiring, communicate with a license electrician.



WARNING: Electrical diagrams only serve as a reference. The optional use of an lighting rate must be on the list and marked with this fan for use.



WARNING: To reduce the risk of fires, electrical discharges or injuries, assemble the device in a socket that with the inscription accepted for fans with a weight of £ 35) or less. It is marked and use the screws supplied with the plug.

All fixing screws must be verified before installation and, if necessary, followed.

### TECHNICAL INFORMATION


SKU	Nominal voltage	Nominal output (motor)	light
F6386110V	110-120V DC	25W	2*E26 MAX.25W (Not included)




F6386110V


# Installation & Operating Instructions for the Parrot uncle Owner's Installation ,Manual

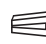
**WARNING: SHUT POWER OFF AT FUSE OR CIRCUIT BREAKER**


 Plastic wire nut (6PCS)


 Blade screw (16PCS)

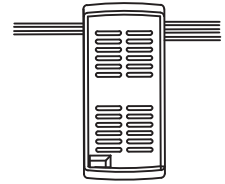
 Washer (16PCS)

 Balancing sticker (2PCS)

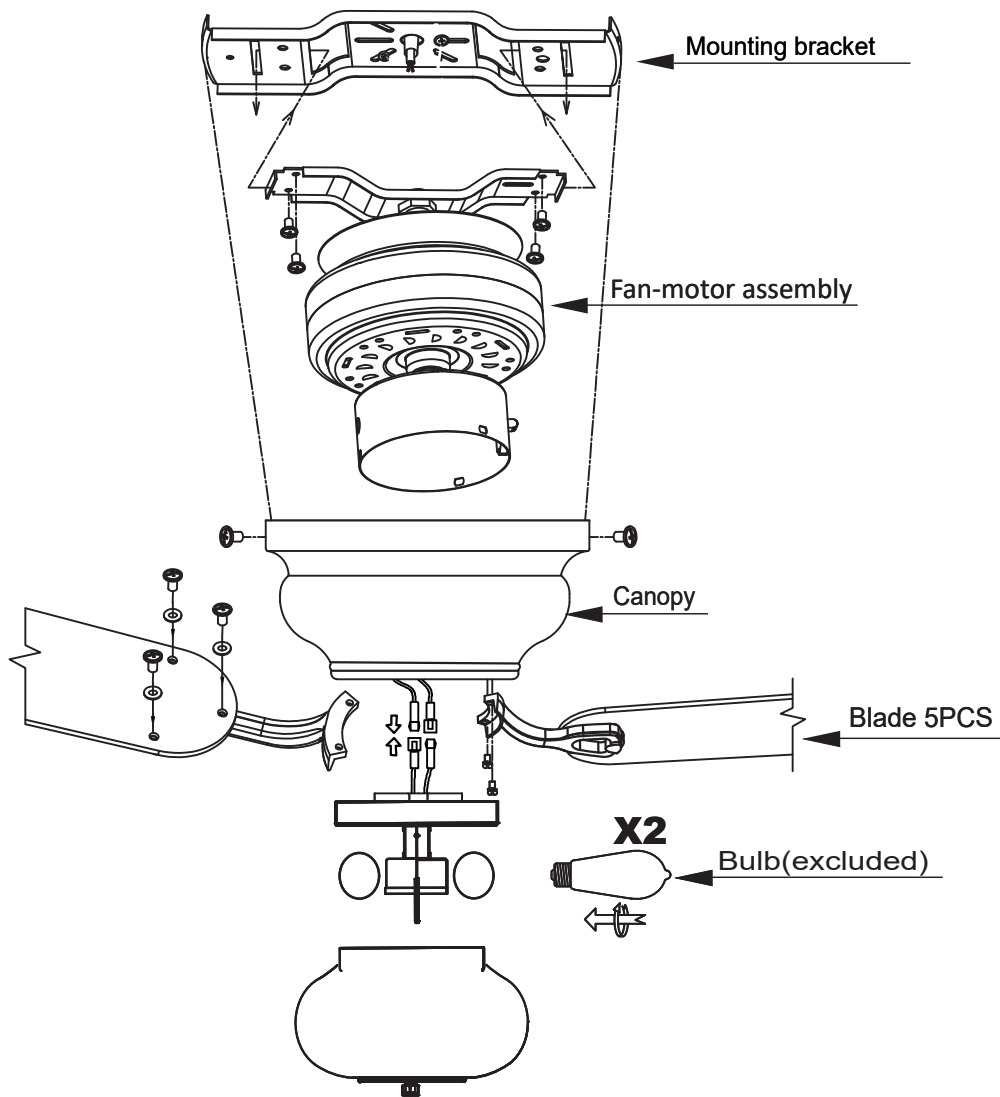
 Balancing clip (1PC)

 Mounting screw(2PCS)

 Washer(2PCS)



Remote control (1 PC)





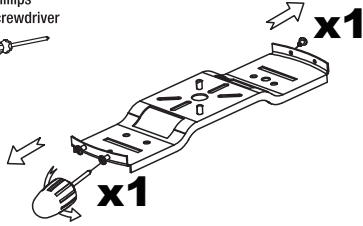
**Parrot Uncle**

F6386110V

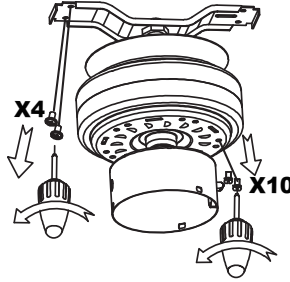
# Installation & Operating Instructions for the Parrot uncle Owner's Installation ,Manual

**WARNING: SHUT POWER OFF AT FUSE OR CIRCUIT BREAKER**

**1**



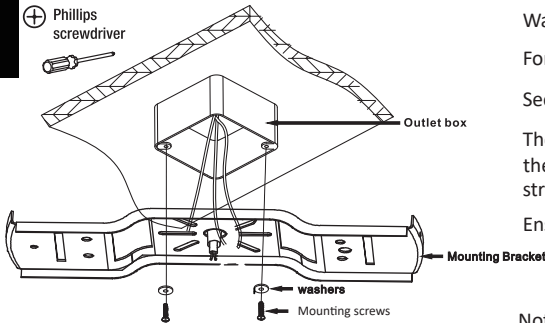
Remove 2 screws from the mounting-bracket.



Remove 4 screws from the bracket of motor.

Remove 10 screws from the motor.

**2**



Warning: Failure to disconnect power supply prior to installation may result in serious injury.

For safety and best operating results, recommend you have a qualified electrician install this fan.

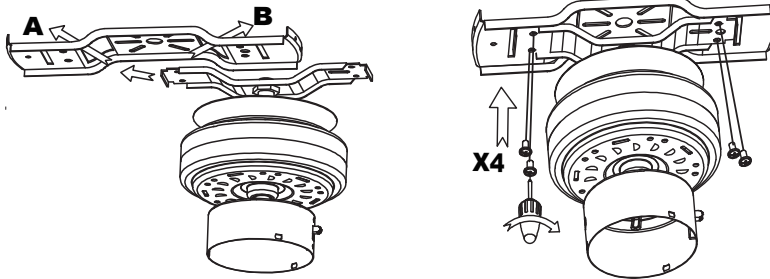
Secure mounting bracket to outlet box by tightening mounting screws & washers.

The ceiling fan must be installed in a location with a minimum of 300mm spacing from the tip of the blade to the nearest objects or walls. Secure the mounting bracket to the ceiling joist or structure that is capable of carrying a load of at least 15.9kgs, with two long screws provided.

Ensure at least 30mm of the screws is threaded into the support.

Note: For ease of wiring feed house wires through mounting bracket.

**3**

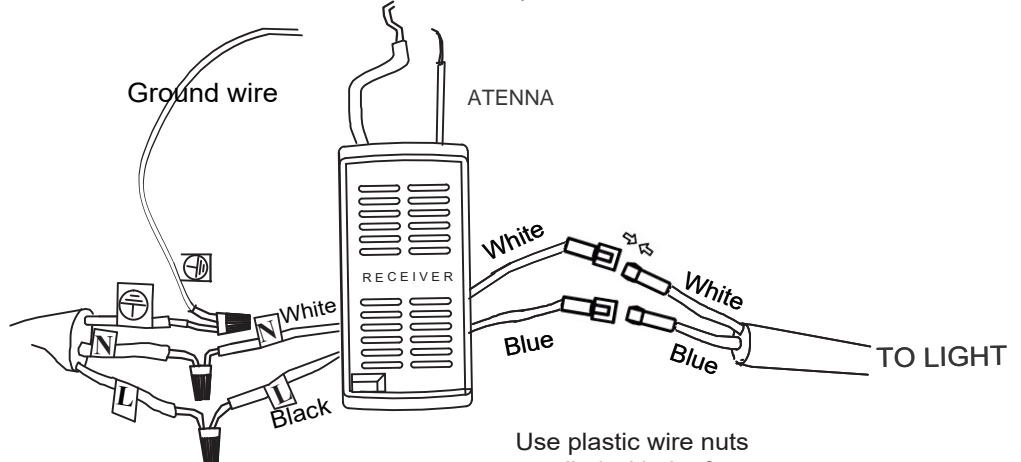


Install the bracket of motor to the mounting bracket with 4 screws. Tighten screws securely.

**4**

TO MOTOR Red/Grey/Pink

FROM POWER SOURCE  
DC 110- 120 VOLT 60Hz  
3.5AMPS.



Use plastic wire nuts  
supplied with the fan

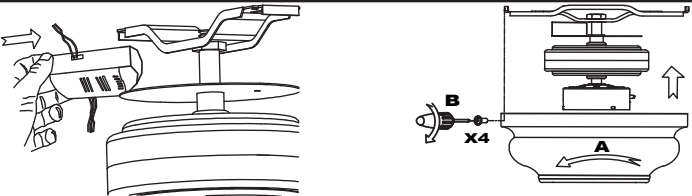
Use plastic wire nuts  
supplied with the fan


**WARNING:** To avoid possible electrical shock, be sure electricity is turned off at the main fuse box before wiring.

Make the wire connection between the Fan and power supply. Make sure all connections are secured.

**WARNING: SHUT POWER OFF AT FUSE OR CIRCUIT BREAKER**

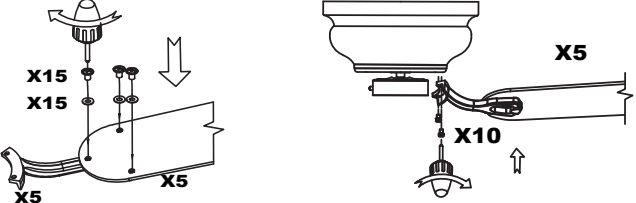
**5**




+ Phillips screwdriver  


Insert the receiver into the mounting bracket with the flat side of the receiver facing the ceiling.  
 Install the motor cover to the mounting bracket with 4 screws.

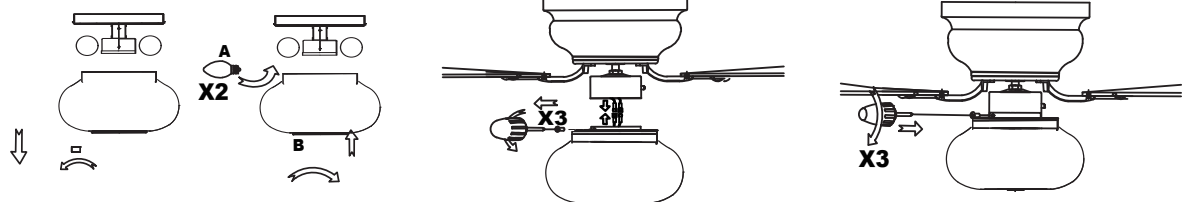
**6**




+ Phillips screwdriver  


One blade at a time, install blade to the blade bracket with screws and washers provided. Tighten screws securely. Repeat for the remaining 4 blades.  
 One blade bracket at a time, install the blade bracket with blade to the motor with screws provided. Tighten screws securely.

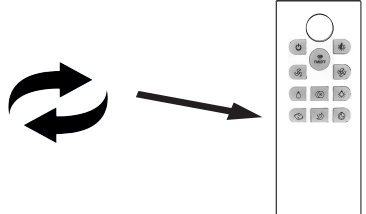
**7**




+ Phillips screwdriver  


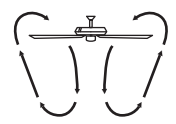
Remove the nut, and then the light kit separates in half.  
 Install 2 X E26 MAX.25 watt bulbs(not included).  
 Remove 3 screws from the light kit, and then connect 2 sets of connectors.  
 Install the light kit to the motor with 3 screws.

**8**

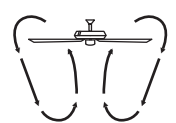


Transmitter reverse button controls the direction of the blades: forward (switch down) or reverse (switch up).  
 The appropriate speed settings for warm or cool weather depends on factors such as the room size, ceiling height, and number of fans.

 **NOTE:** Wait for the fan to stop before reversing the direction of the blade rotation.



**A. Warm Weather (SUMMER TIME)**  
 -(Forward) A downward airflow creates a cooling effect.  
 This allows you to set your air conditioner on a higher setting without affecting your comfort.



**B. Cool Weather (WINTER TIME)**  
 -(Reverse) A upward airflow moves warm air off the ceiling.  
 This allows you to set heating unit on a lower setting without affecting your comfort.



F6386110V

## Installation & Operating Instructions for the Parrot uncle Owner's Installation ,Manual

**WARNING: SHUT POWER OFF AT FUSE OR CIRCUIT BREAKER**

# Remote controller

## INSTRUCTION OF INSTALLATION AND OPERATION

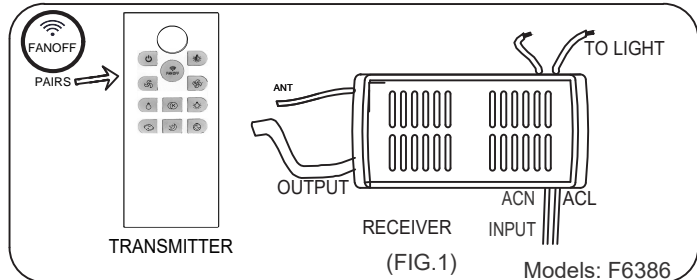
### 1. INSTALLING RECEIVER IN CEILING FAN

#### A. Safety precautions

1. WARNING: HIGH VOLTAGE! Disconnect power by removing fuse or switching off circuit breaker.
2. Do not use with solid state fans.
3. Electrical wire must meet all local and national electrical code requirements.
4. Supply for fan must be 110/120 volt, 60Hz, 3.5A
5. Maximum fan motor amps: 1.0.
6. Maximum light watts: 180 incandescent or ballast and LED.
7. To Reduce the risk of shock, this fan must be installed with a wall switch/control.

#### B. Installing receiver in fan

1. Remove power from the circuit.
2. Remove ceiling fan canopy from the mounting bracket.
3. Disconnect existing wiring between ceiling fan and Supply in electrical junction box.
4. Make connections as follows, using the wire nuts supplied.

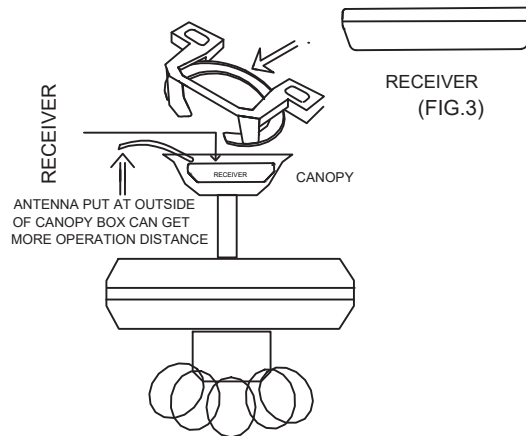
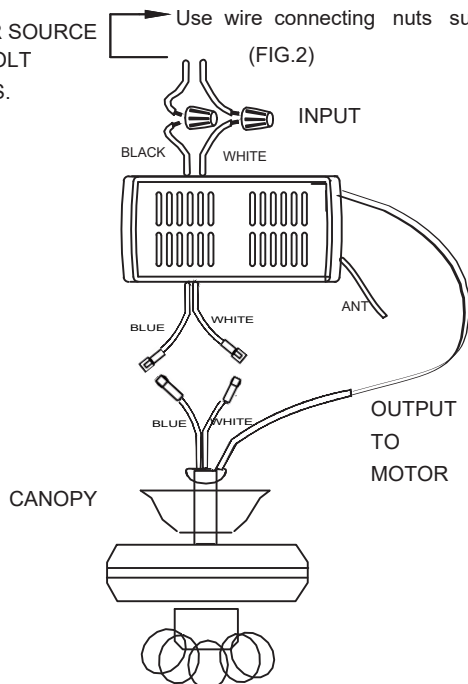


CAUTION: Ceiling Angle Shall Not Exceed 30 Degrees,  
For Mounting Controller. Models: F6386-CONTROLLER

#### CONNECT TO

Black receiver wire(AC IN L).....Black supply wire  
White receiver wire(AC IN N).....White supply wire  
Red/Grey/Pink receiver wire(TO MOTOR N)...pin connect  
White receiver wire(FOR LIGHT)...White light wire  
Blue receiver wire(FOR LIGHT)...Blue light wire

FROM POWER SOURCE  
DC 110~120 VOLT  
60Hz 3.5AMPS.



If other fans or supply wires are different color, have this unit installed by qualified licensed electrician.

- a. Push all connected wires up into junction box.
- b. Lay the brown antenna wire on top of the receiver, and put the receiver into the mounting bracket.
- c. Reinstall the canopy on the mounting bracket.
- d. Restore power.
- e. Install 1.5 volt battery. (To prevent damage to transmitter, remove the battery if not used for a long time).
- f. Store the transmitter away from excessive heat or humidity.
- g. This remote control unit is equipped with roll code combinations. In order to prevent possible interference from or to other remote units such as garage door openers, car alarm or security system. If you find that your fan and light kit go on and off without using your remote control, simply change the code combination in your transmitter and receiver



Parrot Uncle

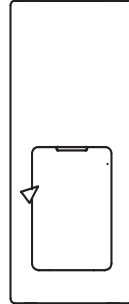
F6386110V

# Installation & Operating Instructions for the Parrot uncle Owner's Installation ,Manual

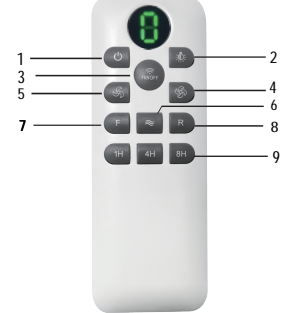
**WARNING: SHUT POWER OFF AT FUSE OR CIRCUIT BREAKER**

## 2. OPERATING TRANSMITTER:

1. All Off - Switch all fan in off position.
2. Light ON/Off - Press and rease.
3. Fan Off & Synv - Press and release. (Sync in Note)
4. Fan speed +
5. Fan speed -
6. Natural wind
7. Forward fan rotation
8. Reverse fan rotation.
9. Timer control - 1-4-8Hr



Open battery compartment to install 2X1.5V battery before use transmitter



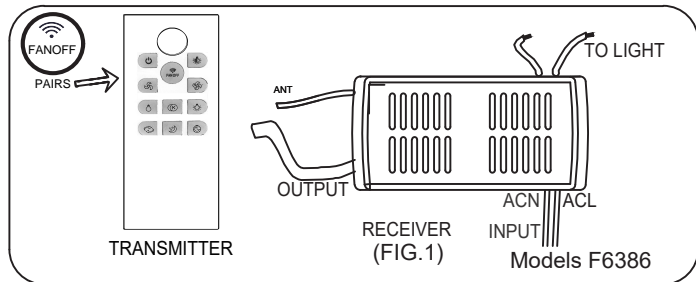
OPERATION DISTANCE 20 FEET

Models: F6386-CONTROLLER

YOUR REMOTE NOW HAS FULL CONTROL OF THE FAN AND LIGHT.

## 3.TROUBLE SHOOTING GUIDE

- a.Power to receiver?
- b.Receiver wired correctly?
- c.Fan manual speed control in highest position?
- d.Light kit switch turned on?
- e.Good battery in the transmitter?



If there are two or more ceiling fans installed in the same house, in order to prevent your ceiling fans from being affected by the remote control of the adjacent ceiling fans or the remote is not workable, Sync code matching: After powering on, within 5 seconds, press and hold the code matching fan to turn off, and the code matching is successfull

**(Power-off means you need to use a wall switch to shut down the power of the ceiling fan, if you do not have a wall switch, please power off the whole room from the air circuit-breaker for each room)**

After installing the remote control receiver on the ceiling fan

1: Turn on the power of the 1# ceiling fan receiver (the power of the 2# receiver is kept in a power-off state), within 5 seconds after the fan power is turned on, press the FANOFF button corresponding to the 1# transmitter, then The receiver will learn the transmitter code. When the transmitter code is learned successfully, the fan will turn off, and then it can be used normally.

2: Turn on the power of the 2# ceiling fan receiver (the power of the 1# receiver is kept in a power-off state), within 5 seconds after the fan power is turned on, press the FANOFF button corresponding to the 2# transmitter, then The receiver will learn the transmitter code. When the transmitter code is learned successfully, the fan will turn off, and then it can be used normally.

And so on, only one ceiling fan is powered on each time the corresponding transmitter learns.

After the 1# and 2# remote control transmitters have been successfully learned, turn on the power of the two ceiling fans. At this time, the 1# transmitter and the 2# transmitter can be used separately for one ceiling fan.

### FCC Statement:

This device complies with Part 15 of the FCC Rules. Operation is subject to the following two conditions.

This device may not cause harmful interference.

This device must accept any interference received, including interference that may cause undesired operation. Changes or modifications not expressly approved by the party responsible for compliance could void the user's authority to operate the equipment.

NOTE: This equipment has been tested and found to comply with the limits for a Class B digital, pursuant to Part 15 of the FCC Rules. These limits are designed to provide reasonable protection against harmful interference in a residential installation. This equipment generates, uses and can radiate radio frequency energy and, if not installed and used in accordance with the instructions, may casue harmful interference to radio communications,

However, there is no guarantee that interference will not occur in a particular installation. If the equipment does cause harmful interference to radio or television reception, which can be determined by turning the equipment off and on, the user is encouraged to try to correct the interference by one or more of the following measures:

- Reorient or relocate the receiving antenna.
- Increase the separation between the equipment and receiver.
- Connect the equipment into an outlet on a circuit different from that to which the receiver is connected.
- Consult the dealer or an experienced radio/ TV technician for help.

### WARNING:

Do NOT install this fan with variable speed wall control or wall-mounted dimmer switch. It will permanently damage the fan's remote control and cause the fan's function to fail.



NO Variable speed wall control



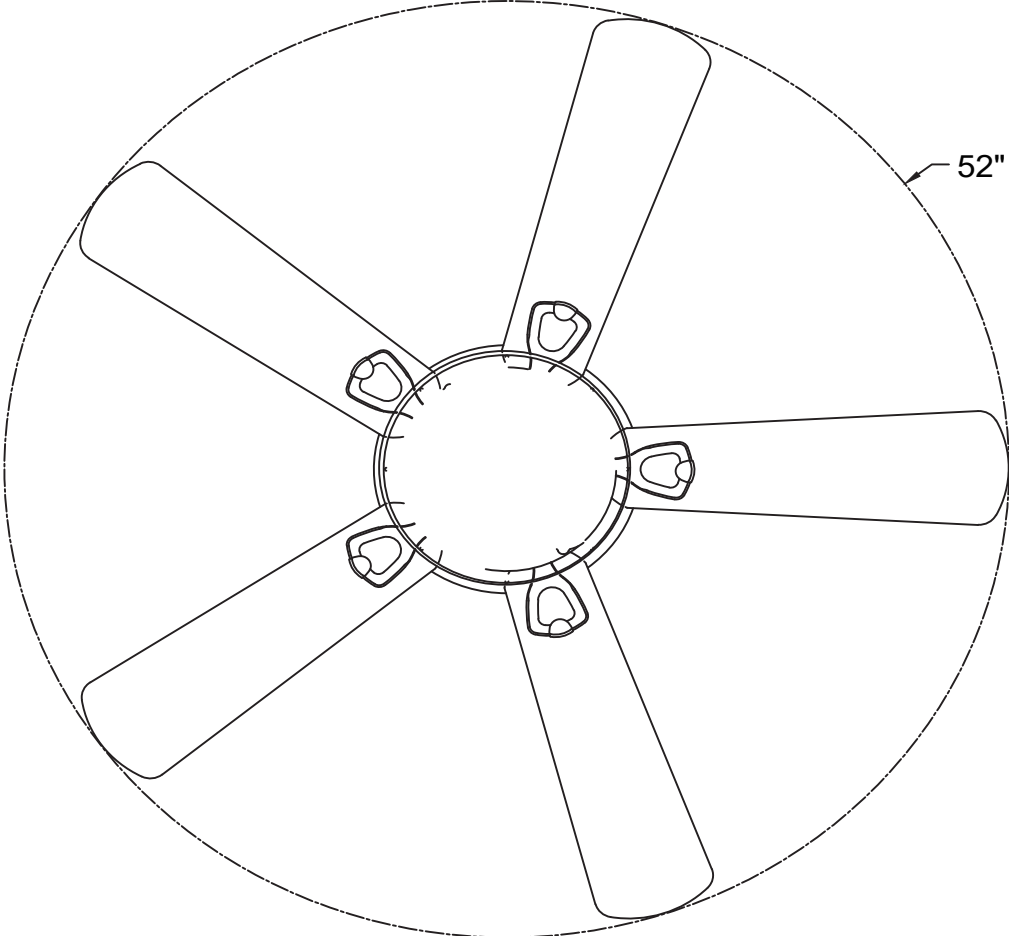
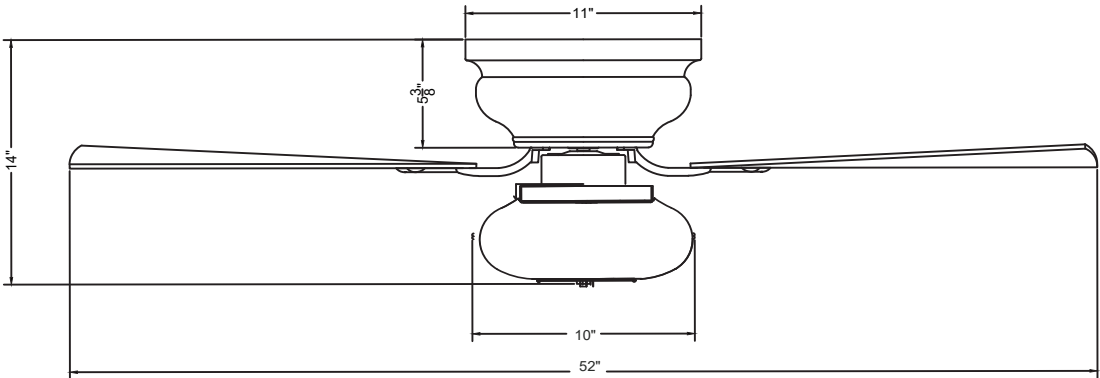
NO Dimmer switch



F6386110V  
Installation & Operating Instructions for the  
Parrot uncle Owner's Installation ,Manual

**WARNING: SHUT POWER OFF AT FUSE OR CIRCUIT BREAKER**

**size of product**





**Parrot Uncle**

F6386110V

Installation & Operating Instructions for the  
Parrot uncle Owner's Installation ,Manual

**WARNING: SHUT POWER OFF AT FUSE OR CIRCUIT BREAKER**

## **AFTER INSTALLATION**

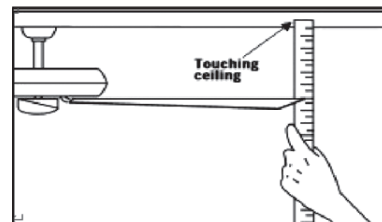
### **WOBBLE”**

The fan blades have been adjusted in the factory to minimize any wobble

**NOTE:CEILING FANS TEND TO MOVE DURING OPERATION DUE TO THE FACT THAT THEY ARE MOUNTED ON A RUBBER CROMMET. IF THE FAN WAS MOUNTED RIGIDLY TO THE CEILING, IT WOULD CAUSE EXCESS VIBRATION. MOVEMENT OF A FEW CENTIMENTERS IS QUITE ACCEPTABLE AND DOES NOT SUGGEST ANY PROBLEM**

**TO REDUCE THE FAN WOBBLE: PLEASE CHECK THAT ALL SCREWS WHICH SECURED THE MOUNTING BRACKET AND DOWNROD ARE SECURE.  
BALANCING A WOBBLING CEILING FAN:**

- 1.Check that all blade and blade arm screws are secure.
2. Most fan wobbling problems are caused when blade levels are unequal. Check this level by selecting a point on the ceiling above the tip of one of the blades. Measure this distance. Rotate the fan until the next blade is positioned for measurement. Repeat for each blade. The distance deviation should be equal within 1/8"(0.32cm).



- 3.If the blade wobble is still noticeable, interchanging two adjacent (side by side) blades can redistribute the weight

and possibly result in smoother operation. **WARNING: TO REDUCE THE RISK OF PERSONAL INJURY, DO NOT BEND THE BLADE ARM WHILE INSTALLING, BALANCING THE BLADES, OR CLEANING THE FAN. DO NOT INSERT FOREIGN OBJECTS BETWEEN ROTATING FAN BLADES.**

### **NOISE**

When it is quiet(especially at night) you may hear occasional small noises. This is normal. Please allow a 24-hour “breaking-in” period, most noises associated with a new fan disappear during the time.

### **CARE AND CLEANING**

- 1.Periodic cleaning of your ceiling fan is the only maintenance required. Use a soft brush or lint free cloth to avoid scratching the paint finish. Please make sure to turn off electricity power before you clean your fan
- 2.Do not use water when cleaning your ceiling fan. It could damage the motor or the blades and create the possibility of an electrical shock.
- 3.Motor has permanently lubricated ball bearing. No need to oil

**NOTE: MAKE SURE THE POWER IS OFF AT THE ELECTRICAL PANEL BOX BEFORE YOU ATTEMPT ANY CLEANING OR REPAIRS.**



**Parrot Uncle**