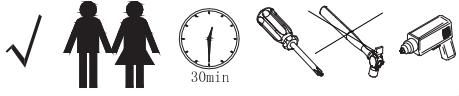
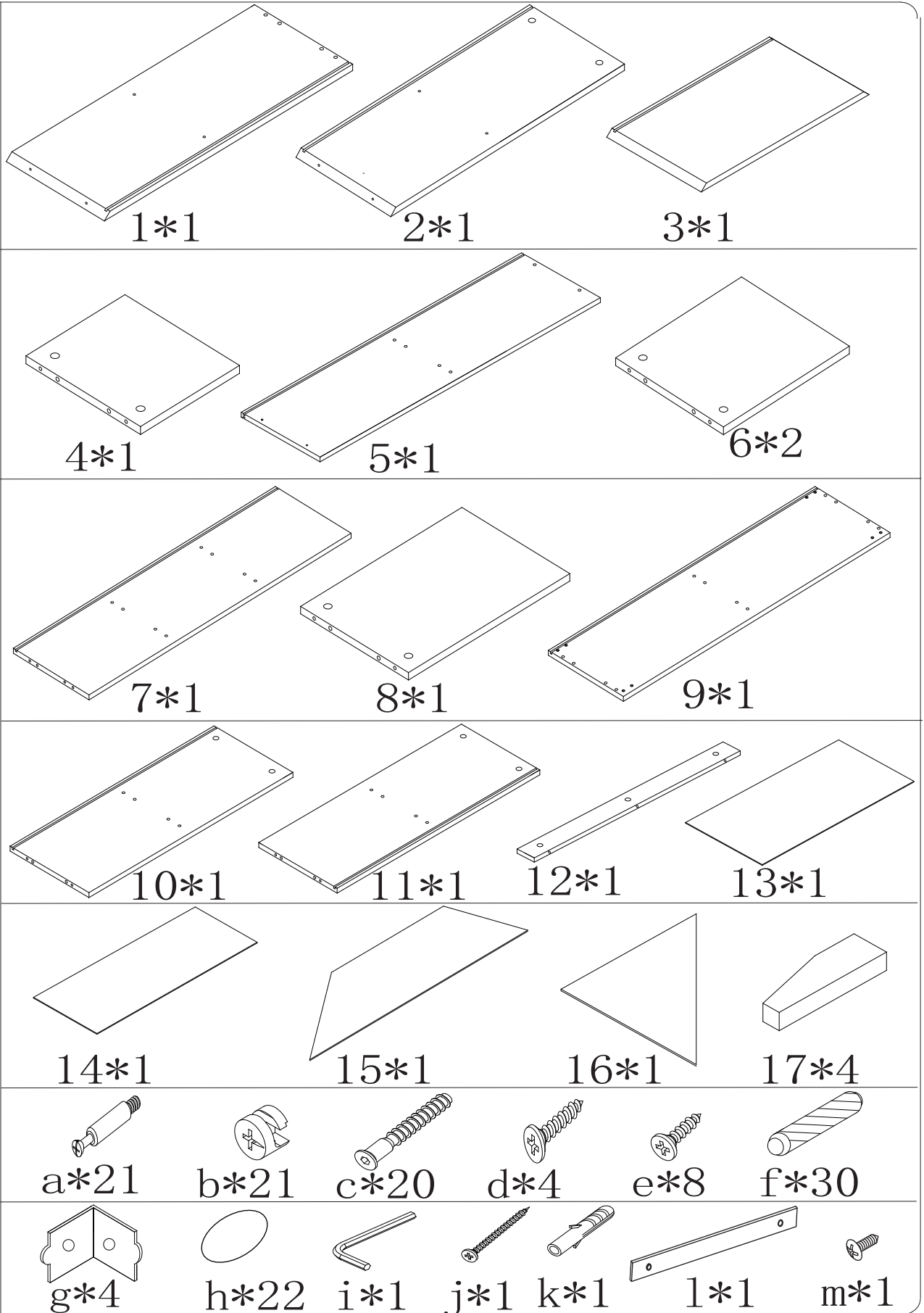


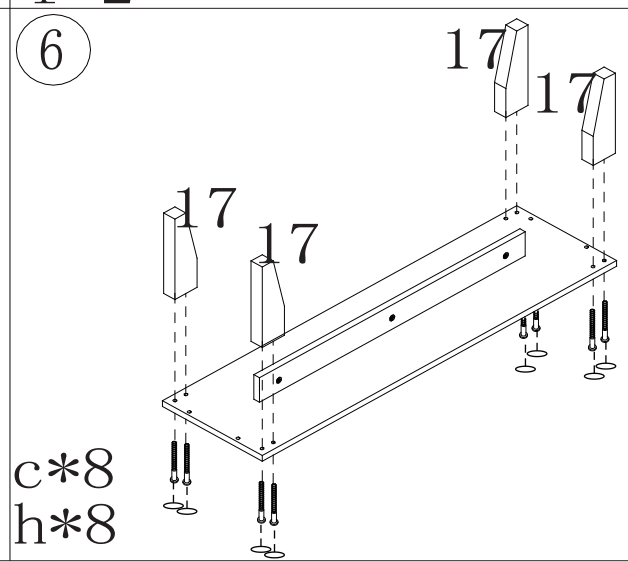
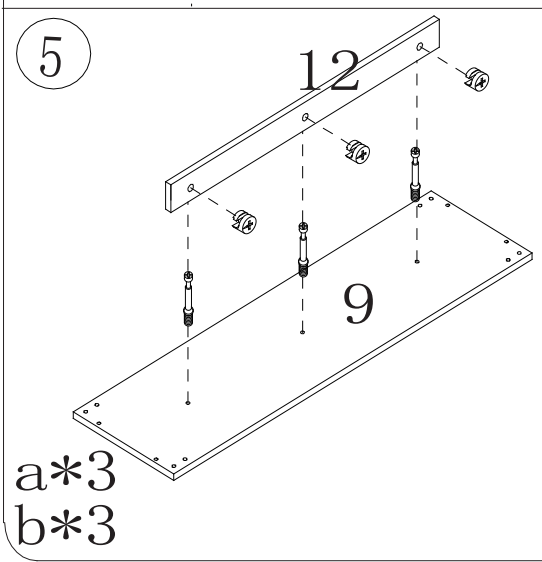
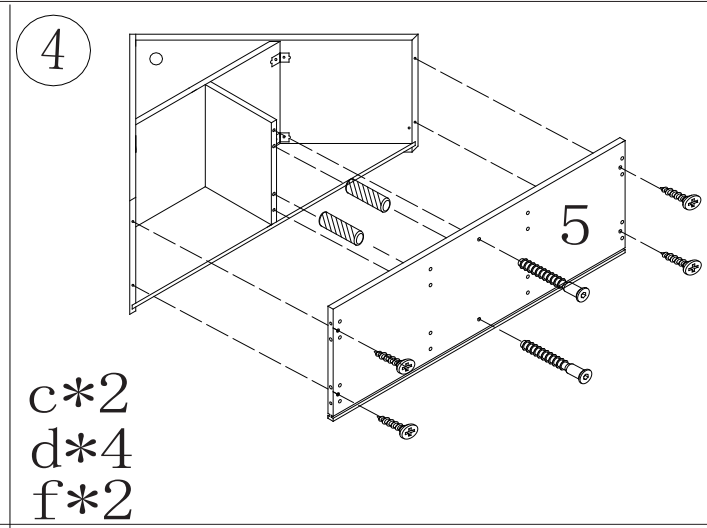
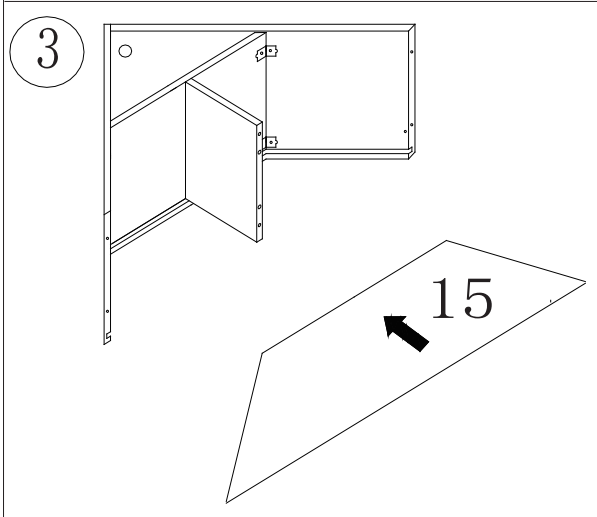
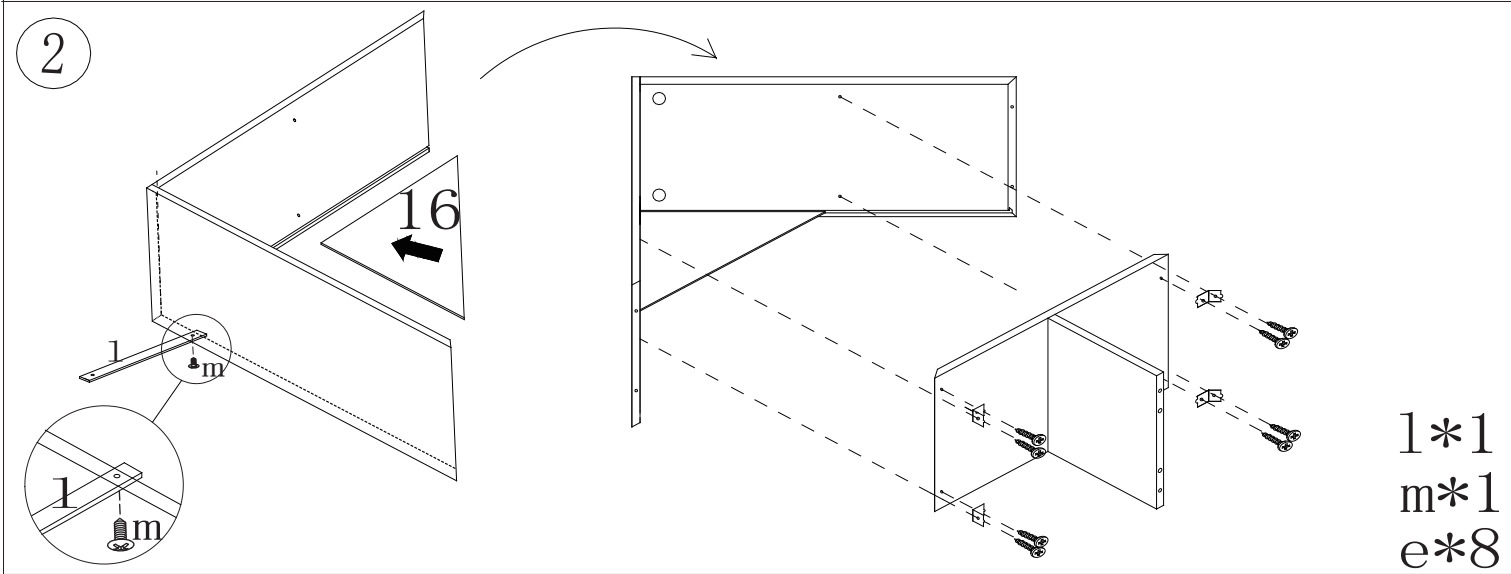
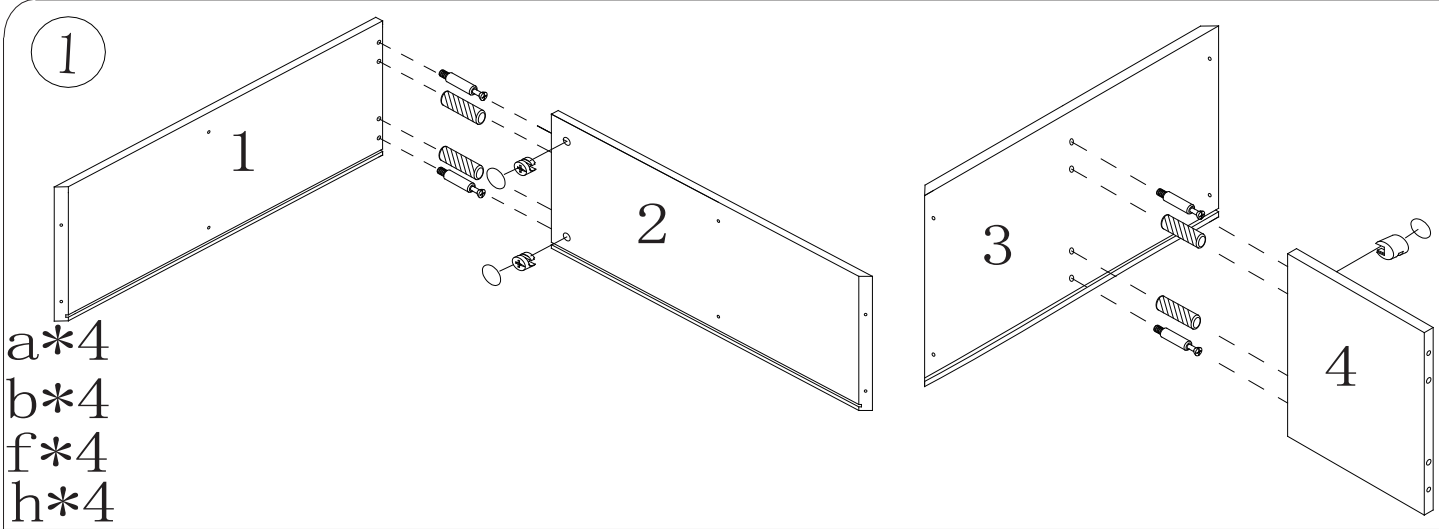
Assembly Instructions



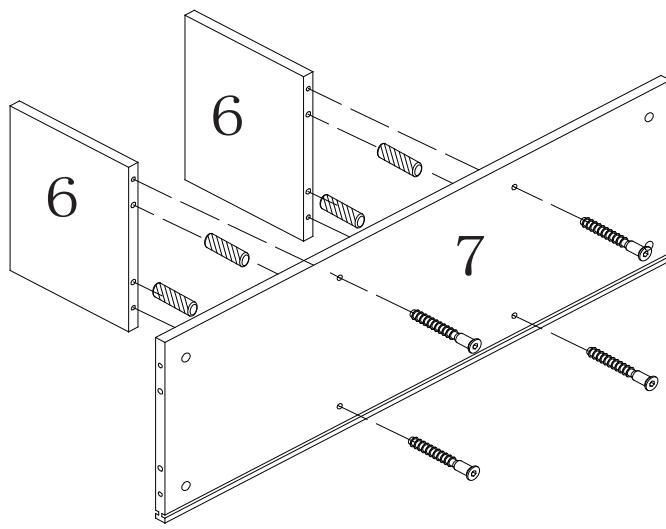
Components



Total Weight Capacity | 30 lbs

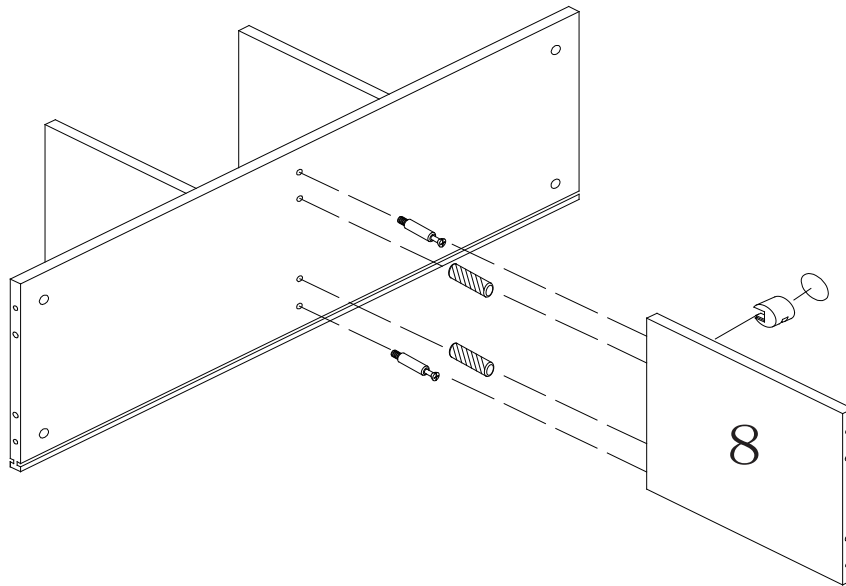


7



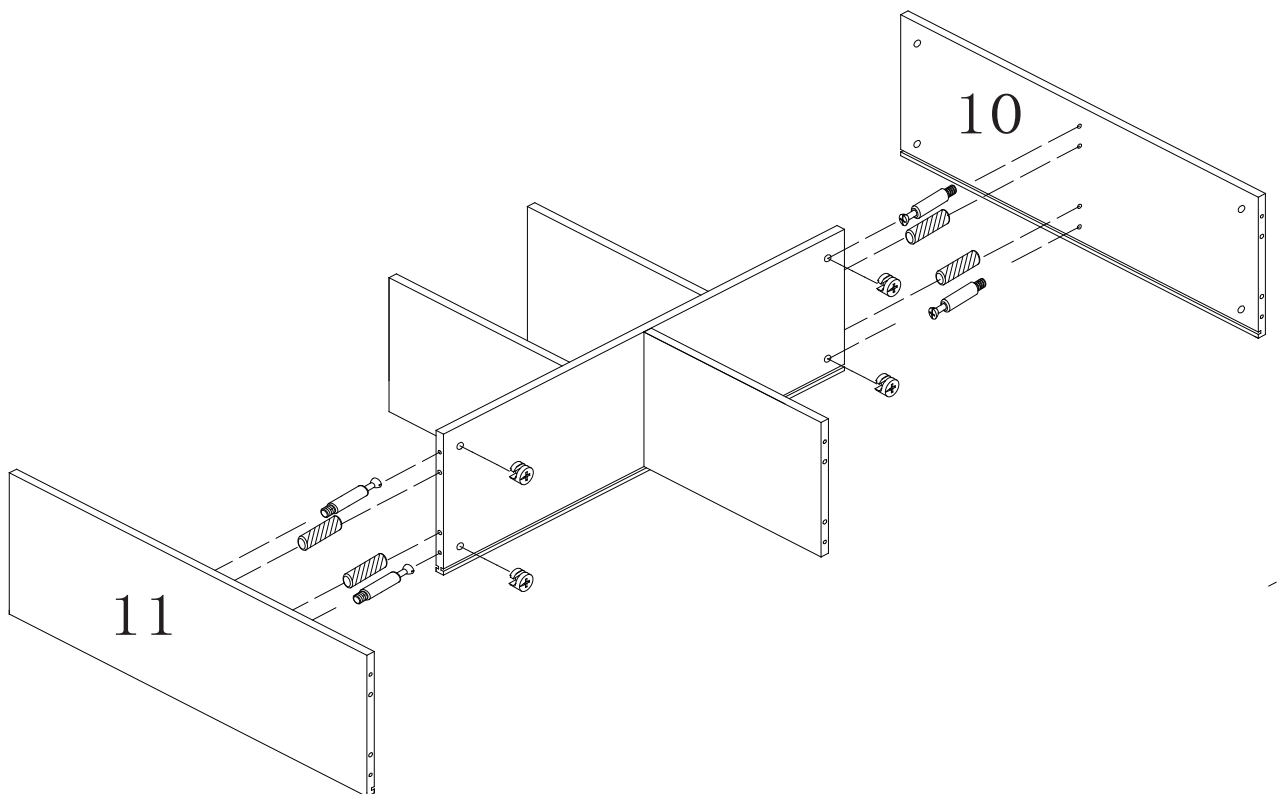
c*4
f*4

8



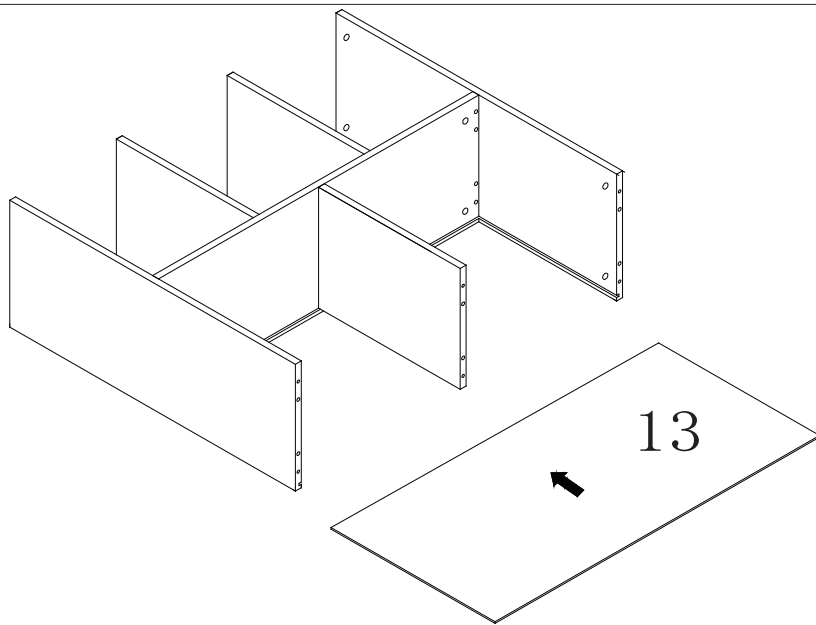
a*2
b*2
f*2
h*2

9

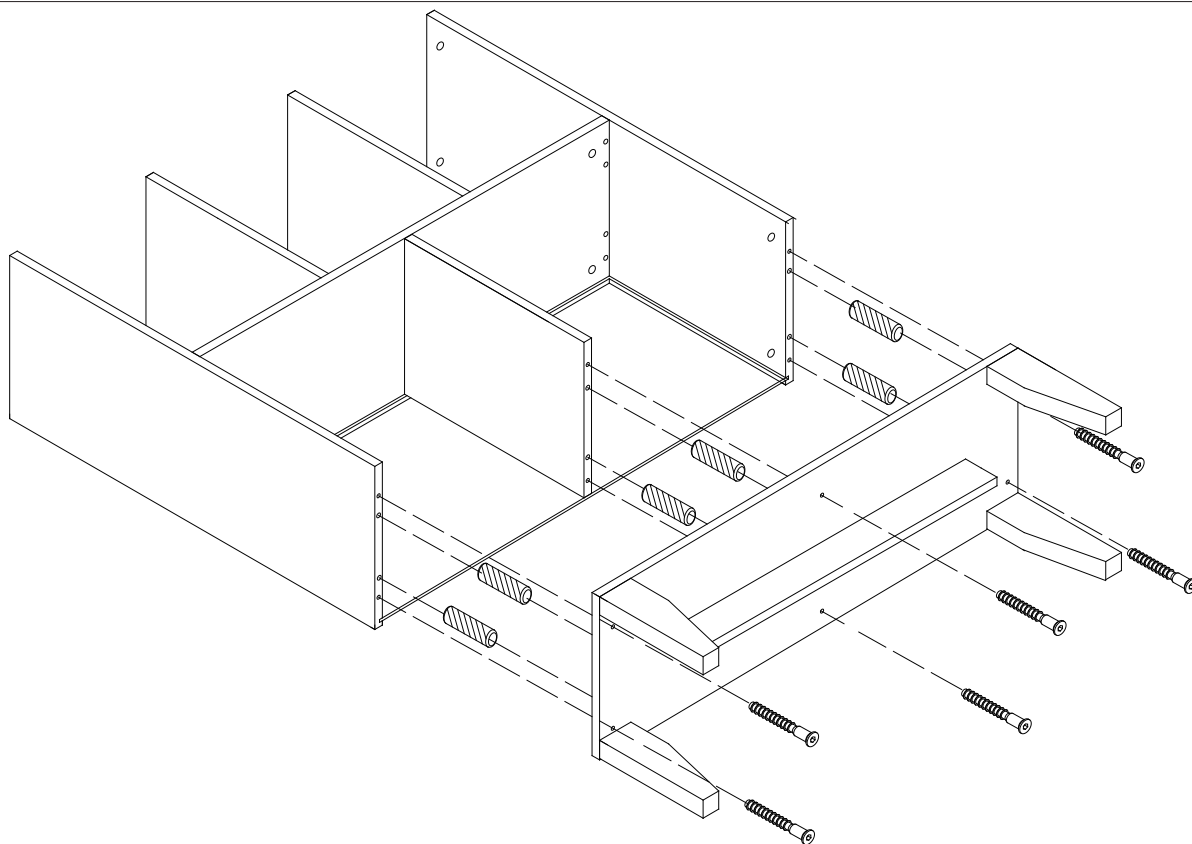


a*4
b*4
f*4

10

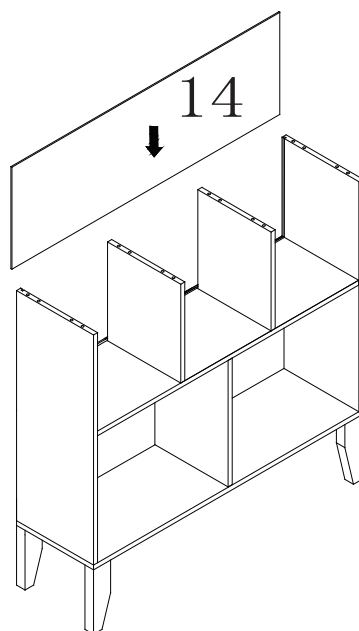


11

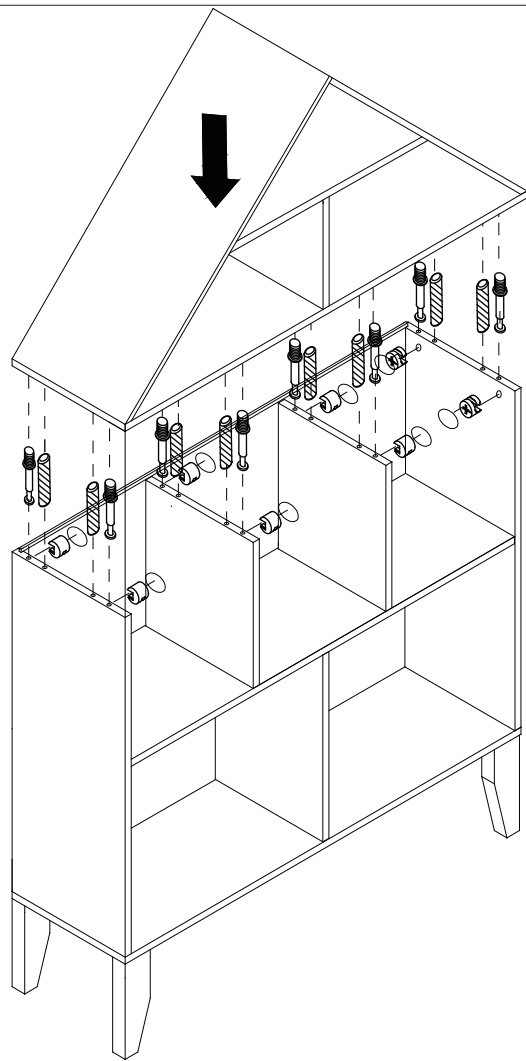


c*6
f*6

13

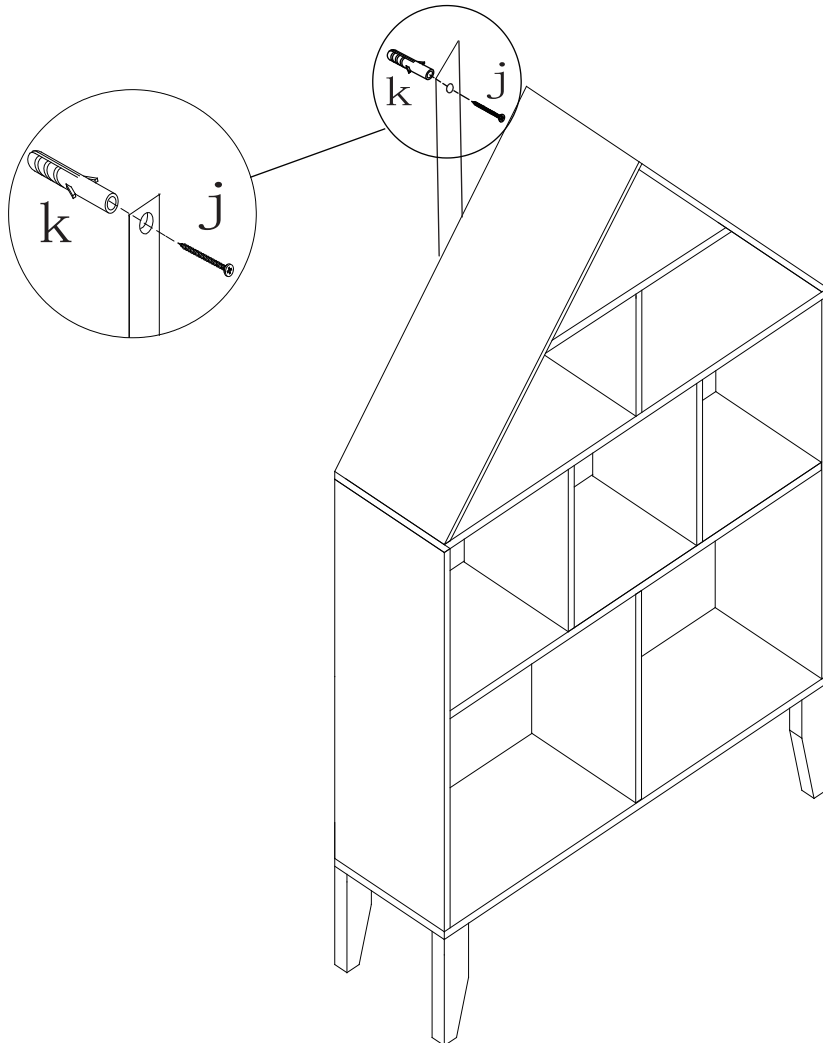


14



a*8
b*8
f*8
h*8

15



k*1
j*1