

# UNIQUE<sup>®</sup>

APPLIANCES

*Classic*  
by UNIQUE

## 24" PANEL-READY DISHWASHER

---

MODEL NUMBER : UGP-DW24CT PR



**c** **UL** **US**  
**LISTED**  
E219644  
6JA4

---

**USER MANUAL**  
serial number:





APRIL25V1

# UNIQUE<sup>®</sup>

APPLIANCES

MANUFACTURED & CERTIFIED BY  
Unique Appliances Ltd

## IMPORTANT SAFETY INSTRUCTIONS

	<b>CAUTION</b> <b>RISK OF ELECTRIC SHOCK</b> <b>DO NOT OPEN</b>	
	This symbol indicates that dangerous voltage constituting a risk of electric shock is present within your dishwasher.	
	This symbol indicates that there are important operating and maintenance instructions in the literature accompanying your dishwasher.	

**When using your dishwasher, follow basic safety precautions, including the following:**

- Read these instructions.
- Keep these instructions.
- Heed all warnings.
- Follow all instructions.
- Only use a damp cloth for cleaning.
- Do not block any ventilation openings. Install in accordance with the manufacturer's instructions.
- Make sure that the available AC power matches the voltage requirements of this appliance.
- Refer all servicing to qualified service personnel. Servicing is required when the appliance has been damaged in any way or it does not operate normally.

2245 Wyecroft Road #5, Oakville, Ontario, L6L 5L7

Phone: 905 827-6154 Toll Free: 1 877 427-2266 Email: [info@UniqueAppliances.com](mailto:info@UniqueAppliances.com)

[www.uniqueappliances.com](http://www.uniqueappliances.com)

## IMPORTANT SAFETY NOTES



### **WARNING - DANGER**

#### **Electric Shock Hazard**

**Failure to follow these instructions can result in electric shock, fire, or death.**

- This appliance must be grounded. In the event of a malfunction or breakdown, grounding will reduce the risk of electric shock by providing a path of least resistance for electric current. The appliance must be directly connected to supply mains with junction box that is installed and grounded in accordance with all local codes and ordinances.

#### **WARNING**

Improper connection of the equipment grounding conductor can result in a risk of electric shock. Check with a qualified electrician or service representative if you are in doubt whether the appliance is properly grounded. Do not alter the appliance wiring or the junction box connected to the supply mains.

- Do not use the dishwasher if it has a damaged wiring, and do not connect with damaged junction box. Failure to observe these instructions may result in electrical shock.
- Never allow children to play with, operate, or crawl inside the dishwasher.
- If a component part is damaged, it must be replaced by the manufacturer, its service agent, or similar qualified persons in order to avoid a hazard.
- Turn off the dishwasher before performing any user maintenance on it.
- This appliance is intended to be used in household and similar environments only.

#### **Basic precautions before use:**

- Read all instructions before using the dishwasher, and save this manual for future reference.
- The information in this user manual must be followed to minimize the risk of fire or explosion and to prevent property damage, personal injury or loss of life.
- The manual does not cover every possible condition and situation that may occur.
- Use the dishwasher only for intended function as described in this manual.  
**Unique Appliances does not assume any responsibility for damage or injury caused by improper use of this appliance.**
- The dishwasher will not operate with the door open.
- Do not operate the dishwasher without the door panel properly in place.

#### **WARNING**

To avoid risk of injury, always use caution when opening the door during or following a wash cycle as hot water or steam may escape.

- When loading items to be washed:
  - Load sharp items and knives so that they are not likely to damage the door seal and tub.

## IMPORTANT SAFETY NOTES (continued)

- Load sharp items and knives with the handles pointing upwards to reduce the risk of cuts and/or injury.
- Do not wash plastic items unless they are marked dishwasher safe or the equivalent. If not marked, check with manufacturer for recommendation, items that are not dishwasher safe may melt and create a potential fire hazard.
- If the dishwasher drains in to a garbage disposal, make sure disposal is completely empty before running dishwasher.
- Do not tamper with the controls.
- Do not sit or stand on door or racks of the dishwasher. The cup racks are designed to support cups, glasses and kitchen utensils. When the cup racks are in the dishwasher, do not lean on or use the cup racks to support your body weight.
- Under certain conditions, hydrogen gas may be produced in a hot water system that has not been used for two weeks or more. HYDROGEN GAS IS EXPLOSIVE. If the hot water system has not been used for two weeks or longer, turn on all hot water faucets and let water flow from each for several minutes before using the dishwasher. This will release any accumulated hydrogen gas. Hydrogen gas is flammable. Do not smoke or use an open flame during this time.
- Do not store or use combustible materials, gasoline or other flammable vapors and liquids in the vicinity of this or any other appliance.
- Use only detergents or rinse agents recommended for use in a dishwasher and keep them out of the reach of children. Some dishwasher detergents are strongly alkaline and can be extremely dangerous if swallowed. Avoid contact with the skin and eyes and keep children and pets away from the dishwasher when the door is open. Consult a doctor immediately if detergent has been swallowed or inhaled.
- Keep young children and infants away from the dishwasher when it is operating.
- Do not remove the dishes from the appliance until the program is complete, otherwise detergent residue may remain on the dishes.
- Check that the detergent dispenser is empty after the completion of each wash program.
- Do not drink or play with any water remaining in the appliance - harmful residues could be present.
- To avoid tripping hazards and/or personal injury or damage to the appliance, do not leave the dishwasher unattended with the door open.

### WARNING

Before any service operation, turn off the appliance and turn off the circuit breaker to disconnect it from the supply.

- Do not use high pressure water sprays and/or steam to clean the appliance.
- Ensure that there are no visible water leaks during and after the first use of the appliance.
- To avoid floor damage and possible mold growth, do not allow wet areas to remain around or under the dishwasher.
- To avoid dishwasher damage, do not allow water to remain in your dishwasher systems through extended periods of freezing temperatures.
- Please check the water supply line periodically. With age, it may become less flexible and more susceptible to breakage, cracks or leaks. If it is torn, cut, swollen, or exhibiting signs of water leakage, contact an authorized service center for replacement and ensure that only manufacturer-approved spare parts are used.

## IMPORTANT SAFETY NOTES (continued)

### Disposal and recycling

- When removing or discarding an old dishwasher, be sure to remove the door to the washing compartment and ensure that the appliance presents no danger to children while being stored for disposal.

#### Before disposing the dishwasher:

- Switch off the circuit breaker and ensure the appliance is disconnected from the mains.
- The power connection to the junction box must be removed by a qualified electrician.
- Old appliances may contain materials that can be recycled. Contact your local recycling authority about the possibility of recycling these materials and for the correct process of appliance disposal.

#### WARNING

**Risk of injury or suffocation!** Keep dishwasher packaging out of the reach of children after unpacking/installation and ensure that any plastic wrappings, bags, small pieces, etc., are disposed of safely and according to local authority.

**SAVE THESE INSTRUCTIONS**

## BEFORE USING YOUR DISHWASHER



**THIS DISHWASHER SHOULD BE INSTALLED BY A QUALIFIED INSTALLER.**

Improper installation, adjustment, alteration or maintenance can cause injury or property damage. Consult a qualified installer or service agency. It must be properly positioned and installed as described in this manual, so read the manual carefully. To reduce the risk of fire, electrical shock or injury when using the appliance, follow basic precaution, including the following:

### **FINDING A SUITABLE LOCATION**

- This dishwasher is designed to be built-in.
  - The dishwasher door must be able to swing fully open.
- 

### **BEFORE USING YOUR DISHWASHER:**

- Remove the exterior and interior packing.
  - Remove the protective film on steel and aluminum parts.
- 

### **PACKAGE CONTENTS:**

- Dishwasher
- Drain hose
- Installation kits
- User Guide
- Installation Guide

# INSTALLATION

## WARNING

When installing the dishwasher follow basic precautions, including the following: Please check the standards and local codes for placement of machine.

- Installation, maintenance and repair should be performed by a qualified installer. Work by unqualified persons could be dangerous and may void the warranty.
- Do not operate the appliance if damaged, malfunctioning, partially disassembled or if it has missing or broken parts.
- Before installation or service, disconnect the power supply to the work area by unplugging the unit, “tripping” the circuit breaker or removing the fuse.
- Only connect the dishwasher to the power supply when all installation and plumbing work is complete.
- Never connect the ground wire to gas lines, or hot water pipes or plumbing lines.
- Do not install or store the dishwasher where it can be exposed to below-freezing temperatures or exposed to weather.
- Dishwasher must be secured to adjacent cabinetry using the brackets provided. Failure to do this may cause damage to property or bodily injury.
- Connect to a properly rated, protected and sized power supply circuit to avoid electrical overload. The dishwasher is designed for an electrical supply of 120 V (volts), 60 Hz (hertz), AC, connected to a dishwasher-dedicated, properly grounded electrical circuit with a fuse or breakers rated for 15 amperes.

Electrical supply conductors shall be a minimum of # 16 AWG copper wire rated at 75 °C (167 °F) or higher. These requirements must be met to prevent injury and machine damage. Consult a qualified electrician if in doubt.

- Do not use any extension cord or portable outlet device to connect the dishwasher to a power supply.

## WARNING

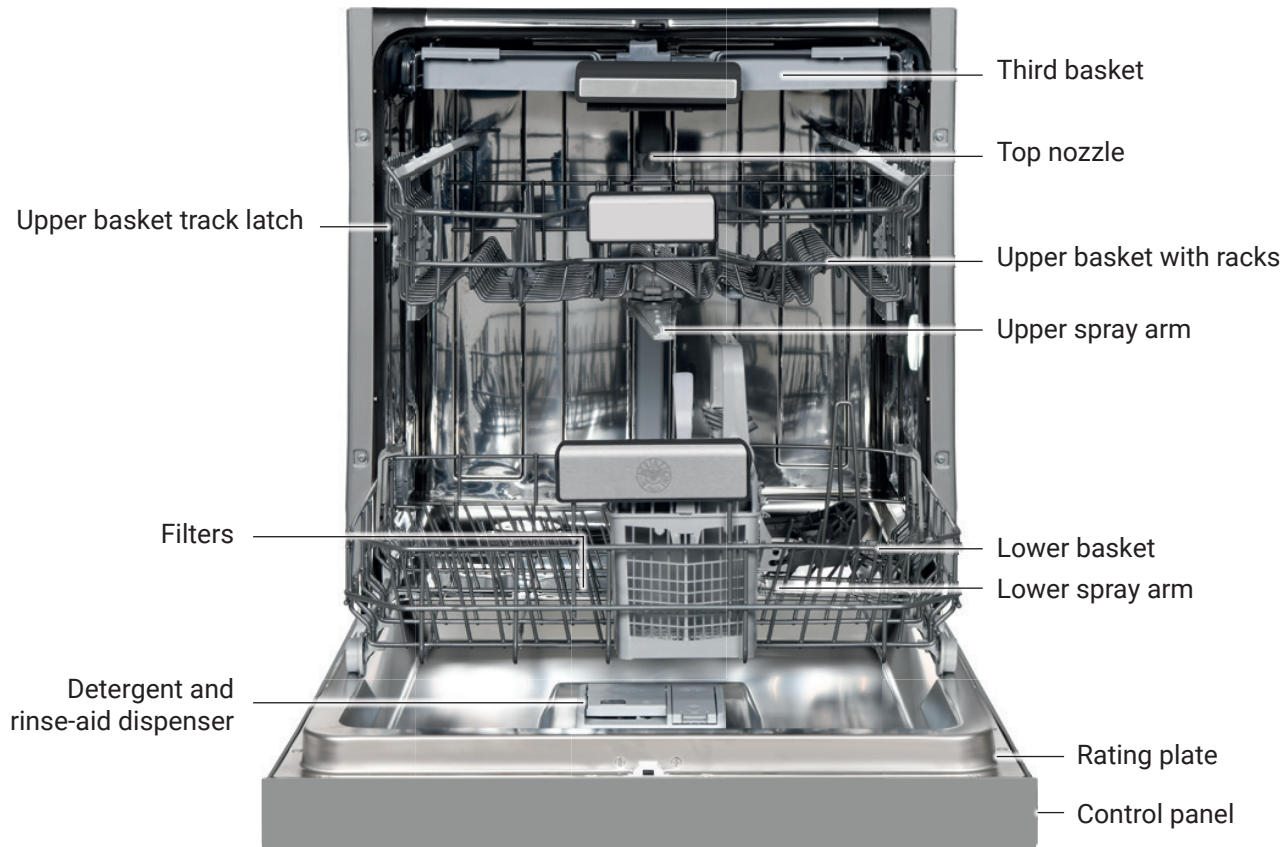
**Risk of injury or suffocation!** Ensure that any plastic wrappings, bags, small pieces etc. are disposed of safely and kept out of the reach of children.

TECHNICAL SPECIFICATIONS	
Permissible water pressure	4.35 - 145 psi (0.3 - 10 bars)
Electrical connection	120 V (volts), 12 A (amps), 60 Hz (hertz)
Total power	1400 (W)
Heater power	1100 (W)

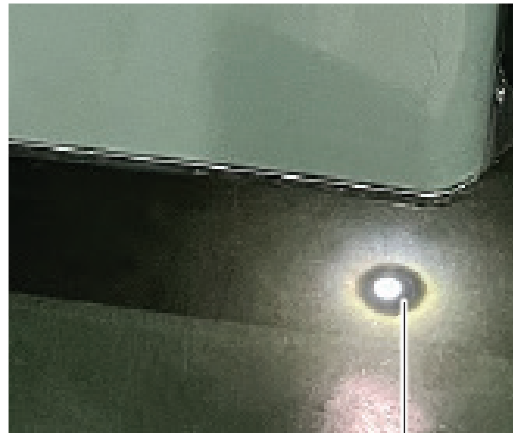
## NOTICE

Because we continually strive to improve our products, we may change our specifications and design without prior notice. This device corresponds to the following directives: UL 749 Household Dishwasher directive.

# MAIN COMPONENTS



1. Upper basket with racks
2. Upper spray arm
3. Lower basket
4. Lower spray arm
5. 3rd basket
6. Top nozzle
7. Filters
8. Rating plate
9. Control panel
10. Detergent and rinse-aid dispenser
11. Upper basket track latch
12. Drying Unit



(13) Drying Unit:  
This system provides better drying performance for your dishes.



Indicator light illuminates floor to indicate washing progress - see page 25 for information

Indicator light

# OPERATIONAL REQUIREMENTS

## Before using the appliance

### Preparing your dishwasher for first use

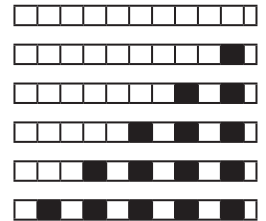
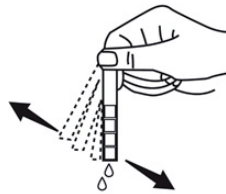
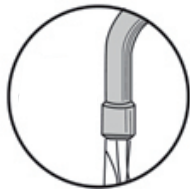
- Make sure the electricity and supply water specifications match those indicated in the installation instructions for the machine.
- Remove all packaging material inside the machine.
- Set the water softener level.
- Fill the rinse aid compartment.

### **IMPORTANT** For optimal performance, the dishwasher needs soft (demineralized) water.

Depending on the level of hardness of the in-flowing water, calcium and magnesium can accumulate as scale inside the softener system, and leave a white lime residue on the dishes and interior equipment. This can negatively affect your machine's washing and drying performance. When water flows through the softener system, hard water minerals like calcium and magnesium are exchanged with sodium or potassium ions, softening the water for cleaner dishes.

## Testing water hardness with a test strip

1. Turn on tap and run water for 1 minute.	2. Fill a glass with water from tap and dip test strip for 1 second.	3. Shake excess water off the test strip.	4. Wait for 1 minute.	5. Set the water hardness level of your machine.
--	--	---	-----------------------	--



### **NOTE**

The level is set to 1 as default. If the water is well water or has a hardness level above 90 dF, we recommend that you use a filter and refinement devices.

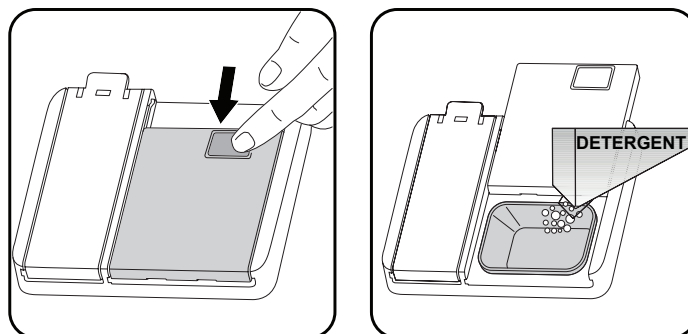
## OPERATIONAL REQUIREMENTS (continued)

### Detergent Usage

- Only use detergents specifically designed for domestic dishwashers. Keep your detergents in cool, dry places out of reach of children.
- Add the proper detergent for the selected program to ensure the best performance.
- The amount of detergent needed depends on the cycle, load size, and soil level of dishes.
- Do not overfill the detergent compartment; overfilling detergent may cause white streaks or bluish layers on glass and dishes and may cause pitting on glassware. Continued use of too much detergent may cause machine damage.
- Using too little detergent can result in poor cleaning and may cause white streaks on dishware in hard water conditions.
- See the detergent manufacturer's instructions for further information.

### Filling the detergent

- Push the latch to open the dispenser and pour in the detergent.
- Close the lid and press it until it locks in place. The dispenser should be refilled just before the start of each programme.



### Using combined detergents

- Combined detergents contain not only the detergent but also rinse-aid and additional components depending on the combination. These products should be used according to the manufacturer's instructions.
- Never put combined detergents into the interior section or the cutlery basket.
- We recommend you do not use combined detergents in short programmes. Powder detergents are best for short wash settings.
- If you encounter problems when using combined detergents, please contact the detergent manufacturer.
- If you stop using combined detergents, make sure that water hardness and rinse aid settings are set to the correct level.

### Using rinse aid

Rinse aid improves drying and reduces water spots and filming on dishes. Without rinse aid, the dishwasher interior may remain excessively wet and dishes may not be fully dry at the end of the wash cycle, as the heated dry option will not perform as well without rinse aid.

The rinse aid dispenser, located next to the detergent cup, automatically releases a measured dose of rinse aid during the last rinse. If spotting and poor drying is a problem, increase the amount of rinse aid dispensed by rotating the dial to a higher number. The dial is located under the dispenser cap.

If the rinse aid is low, the rinse aid light turns on at the beginning and end of the cycle indicating that it is time to refill. Refer to "Filling the rinse aid dispenser" on page 14.

## OPERATIONAL REQUIREMENTS (continued)

### Filling the rinse-aid and setting

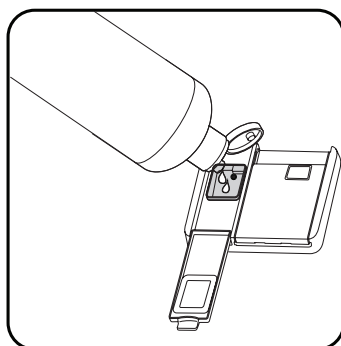
To fill the rinse aid compartment, open the rinse-aid compartment cap. Fill the compartment with rinse aid to the MAX level and then close the cap. Be careful not to overfill the rinse aid compartment and wipe up any spills.

### In order to change the rinse aid level, follow the below steps:

- Turn on the machine and press Menu button for 3 seconds. Water hardness level is seen first. ("SL1" is the factory setting).
- Press Delay (+) button to pass Rinse aid setting. ("r:4" is the factory setting).
- Rinse aid follows water hardness setting.
- Then, press Select button and the level of Rinse aid will blink (e.g. "r:4").
- Change the level by pressing the Delay buttons.
- Press Select button to save desired level and the new level of Rinse aid will stay lit.
- Turn off the machine to exit from the setting. The factory setting is "4".

### NOTE

If the dishes are not drying properly or are spotted, increase the level of rinse-aid. If blue stains form on your dishes, decrease the level.



Level	Brightener Dose	Indicator shown on display
1	Rinse-aid not dispensed	r:1
2	1 dose dispensed	r:2
3	2 doses dispensed	r:3
4	3 doses dispensed	r:4
5	4 doses dispensed	r:5

### Water temperature

Hot water is required for optimum dishwashing and drying results. Water entering the dishwasher should be at least 120° F (49° C) to achieve satisfactory results.

To check water temperature entering dishwasher:

- Turn on the hot water faucet near the dishwasher and let it run for several minutes.
- Hold a thermometer (a candy or meat thermometer will work) in the water stream to check the temperature. If temperature is below 120° F (49° C), have a qualified person raise the hot water heater thermostat setting.

### IMPORTANT

To make sure that the water entering the dishwasher is hot, run hot water from the nearest hot water faucet to flush cold water from the pipes before starting the cycle.

## OPERATIONAL REQUIREMENTS (continued)

### Water pressure and heat requirements

- The hot water supply line pressure must be between 4.35~145 psi (0.3~10 bar)
- Adjust the water heater to deliver water between 120°F (49°C) ~ 149°F (65°C).

You may experience low water pressure during high-demand periods, such as when laundry or showers are in use while you are washing the dishes. To eliminate this problem, wait until hot water demand is reduced before starting the dishwasher.

### High Temp function

The heat dry function, when used with a rinse aid, enhances drying performance. If you do not choose the heat dry function, items in your load that will not be completely dry at the end of the cycle. Use to heat-dry your dishes. This function is not available for rinse only cycle.

### Sanitize

Use to sanitize your dishes and glassware. Maintains the water temperature at 158° F (70° C) max., and is available with the AUTO, NORMAL, and HEAVY cycles.

#### NOTE

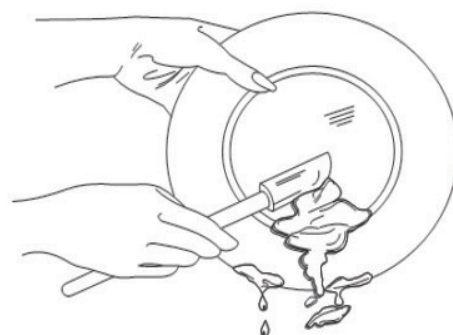
- Certified residential dishwashers are not intended for licensed food establishments.
- The sanitize cycle is NSF certified

### High temp wash

- Use to maintain the water temperature at 140° F (60° C) max.
- This option is available on all cycles except for Delicate and Rinse.

### Preparing dishes for washing

- Scrape away large pieces of food, bones, pits, toothpicks, and similar items. The continuous filtered wash system will remove the remaining food particles.
- Burned-on foods should be loosened/removed before loading.
- Empty liquids from glasses and cups.
- Foods such as mustard, mayonnaise, vinegar, lemon juice, and tomato-based products may cause discoloration of stainless steel and plastics if allowed to sit for a long period of time. Unless the dishwasher is to be operated at once, it is best to rinse off these types of foods.
- If the dishwasher drains into a garbage disposal, be sure the disposal is completely empty before starting dishwasher.



## LOADING YOUR DISHWASHER

Properly loading your dishwasher ensures the best washing and drying performance and energy efficiency.

The lower basket can hold larger/deeper items as cookware, mixing bowls, pots with handles, pot lids, plates, salad plates and cutlery sets. The upper basket has been designed for dessert plates, salad bowls, cups and glasses. When loading long stem glasses and goblets, lean them against the basket edge, rack or glass supporter wire and not against other items. Do not lean long glasses against one another as they may not remain steady and could topple or be damaged.

Be sure to use the cutlery baskets for best results when washing cutlery. Load knives into the middle sections of the baskets, ensuring that they stand clear of the wash arms. Spoons can be divided amongst the other cutlery sets so that they don't touch one another during the wash cycle. To avoid possible injuries, always place long-handle and sharp-pointed dishes as serving forks, bread knives, etc. with their sharp points facing down or horizontally in/on the baskets.

### WARNING

Place your dishes into your machine in a way that they will not prevent the upper and lower spray arms from spinning.

### WARNING

Do not wash items that can absorb water (sponges, household cloths) in the dishwasher.

### NOTE

- Place all large and heavily soiled items in the lower rack.
- Place all containers such as cups, glasses and pots into the dishwasher with the openings facing downwards (so that water doesn't collect within).
- Do not place dishes over the cutlery baskets, and do not place loose cutlery on top of dishes.
- Do not overload the dishwasher and pay attention to manufacturer instructions regarding dishes which are appropriate for use in a dishwasher. High temperature water and dishwasher detergent may form a chemical synthesis that can damage certain items.

### WARNING

Be careful when loading and unloading sharp items. Load sharp knives with the handles facing upwards to reduce the risk of personal injury.

### Basic operation

- 1 Load the dishwasher (See "Preparing and loading dishes" above).
- 2 Add detergent (See "Filling the detergent dispenser" page 11).
- 3 Add rinse aid, if needed (See "Filling the rinse aid dispenser" pages 11-12).
- 4 Select the cycle you want (See the "Cleaning Programs and Options", page 19). The indicator will light when the selection is made.
- 5 Select the function you want. The indicator will light when the selection is made.
- 6 To start, press START/CANCEL on the control pad.
- 7 Close the door within four seconds and the wash cycle will begin.

### NOTE

If you open the door while the appliance is running, all functions are automatically interrupted. Once the door is closed the functions will continue.

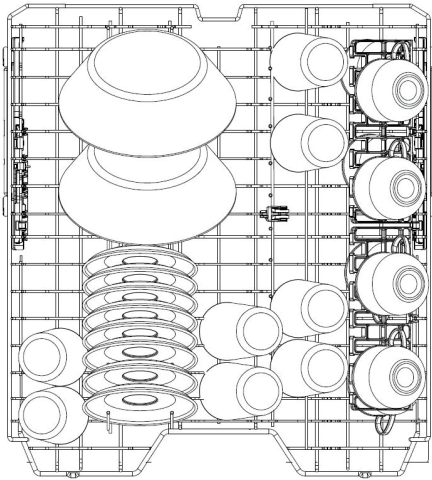
### CAUTION

To avoid injury, be sure to open the dishwasher door slowly and carefully to allow hot steam to escape.

## LOADING YOUR DISHWASHER (continued)

### Upper Rack

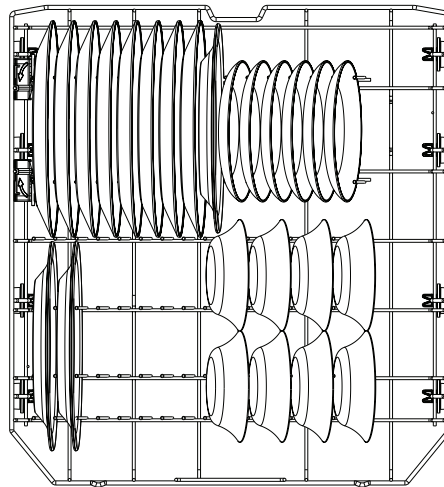
Load the upper rack with dessert plates, cups, glasses etc.



Top rack load pattern for 8 place settings.

### Lower Rack

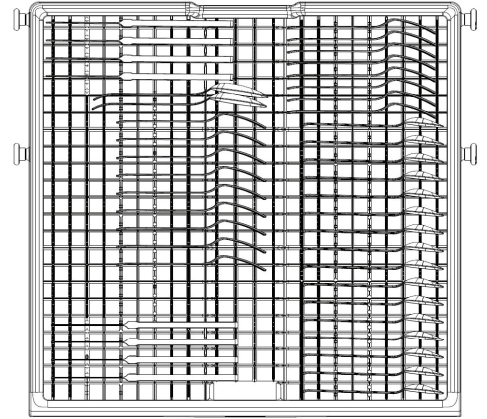
You can load into the lower rack such round and deep items as pots with long handles, pot lids, plates, salad plates, cutlery sets. The lower rack should not be used for small items such as cups or wine glasses.



Lower rack loading example.

### Third Rack (some models)

The third rack can be loaded with items such as knives, spoons, forks, serving spoons, etc.



Third rack load pattern for 8 place settings.

### NOTE

Place all large and heavily soiled items in the lower rack. Make sure that large items do not interfere with the rotation of the spray arms, and do not prevent the detergent dispenser from opening.

### WARNING

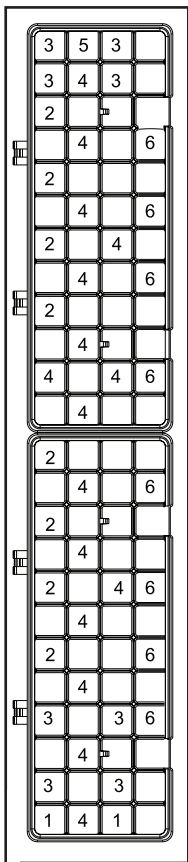
Large knives and other utensils with sharp tips and edges must be placed horizontally into the upper rack due to risk of injury. Other smaller knives and sharp utensils should be placed with sharp side down in the cutlery basket.

### NOTE

You can add more dishes before the main wash cycle has started. To determine this, check the detergent dispenser in the door. If the detergent dispenser is still closed, you can add more dishes. If it is open, you can add dishes to the dishwasher if the dish quantity is small. If many dishes are to be added, load them and adjust the loaded dishes correctly, and restart the cycle.

# LOADING YOUR DISHWASHER (continued)

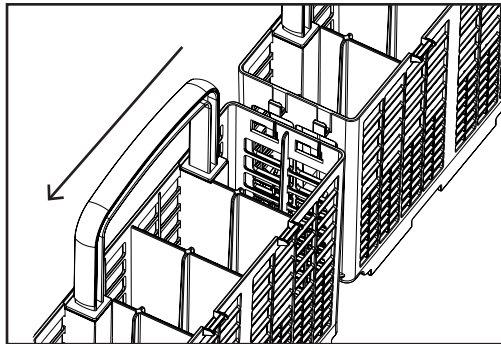
## Loading the cutlery basket (model depending)



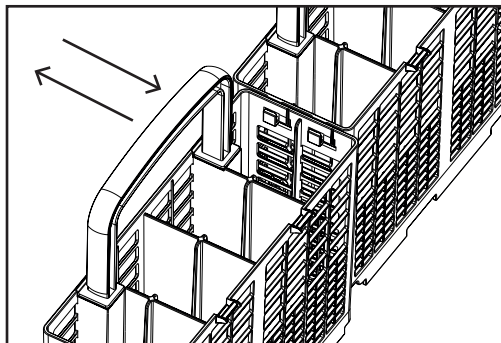
- 1 - Serving spoons
- 2 - Dinner forks
- 3 - Knives
- 4 - Tea spoons
- 5 - Serving forks
- 6 - Salad forks

Silverware basket loading pattern for 8 place settings.

There are two silverware baskets in the dishwasher. The two baskets can be assembled together or used separately. Follow the steps below to assemble.



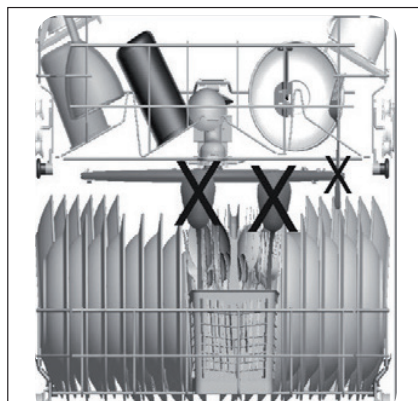
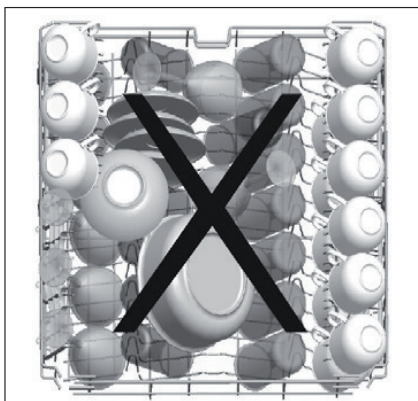
The tabs on the basket are aligned with the opening on the other basket.



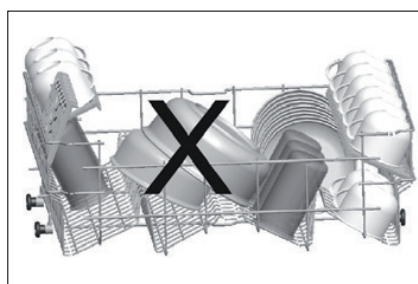
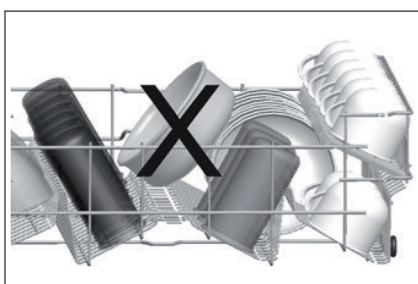
Push the baskets together with the tab on one basket aligning with the slot on the other basket.

## Incorrect loading

Incorrect loading can cause poor washing and drying performance. Please follow the recommended loading placement and procedure to ensure the best cleaning performance and energy efficiency.



**CAUTION:** Make sure that nothing protrudes through the bottom of the silverware basket to block the lower spray arm.



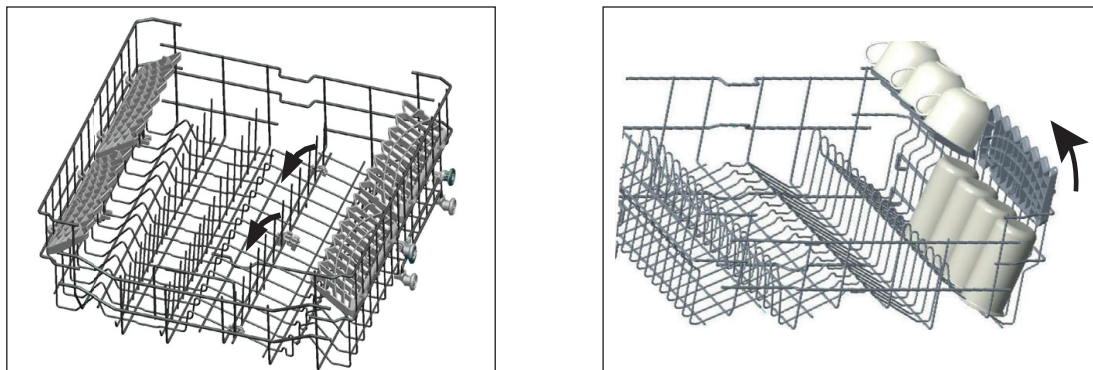
## LOADING YOUR DISHWASHER (continued)

### Top Rack

#### Rack with height adjustment

These racks are designed to increase the capacity of top basket. You can place cups and glasses on these racks. Thanks to the adjustable feature of the racks, you can place glasses of different sizes under the racks.

Height adjustments mounted on the basket allow racks to be in 2 different positions. You can also place long knives, forks and spoons on these racks horizontally so that they do not block the movement of the spray arms.



The horizontal wire shelves located on top basket allow you to place your plates and bowls where required. Also you can wash larger kitchenware such as pots or pans by closing the horizontal wire shelves.

#### NOTE

Lowering the wire shelves to horizontal by moving their tips may cause them to bend. Raise and lower the wire shelves by holding them by their stems and pushing gently.

The basket height adjustment mechanism on the top basket of your machine is designed to let you adjust the height of your top basket upwards or downwards, without removing it from your machine when it is full, and creating larger spaces at the top or bottom area of your machine as needed.

The basket is default set to the upper position in factory settings. In order to raise your basket, hold it from both sides and pull it upwards. In order to lower it, hold it from both sides again, and lower it. When loaded, make sure that both sides of the basket adjustment mechanism are in the same position (up or down)

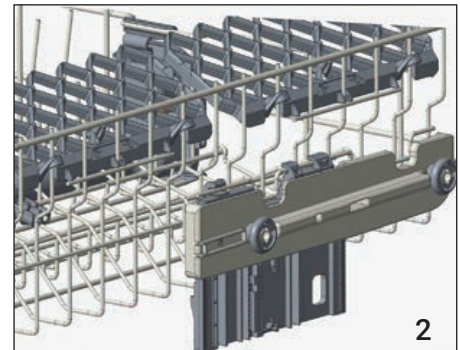
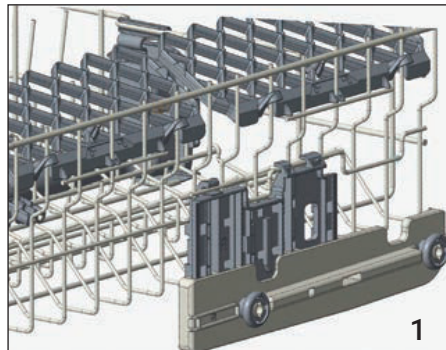
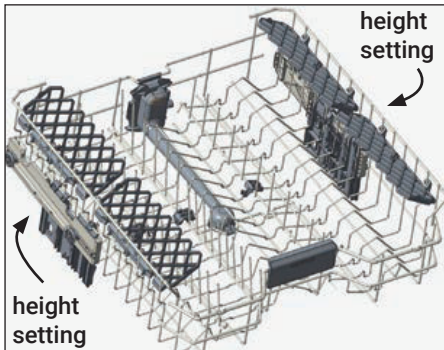
#### NOTE

Make sure that both levers catch in the same height position.

# LOADING YOUR DISHWASHER

## Height setting - when basket is filled (model depending)

The upper basket includes a mechanism which enables the height of the basket to be adjusted up (1) or down (2) without having to remove the basket. Hold the basket on both sides and pull it up or push it down, ensuring both sides of the upper basket are in the same position.



The height setting mechanism is found on either side of the upper basket

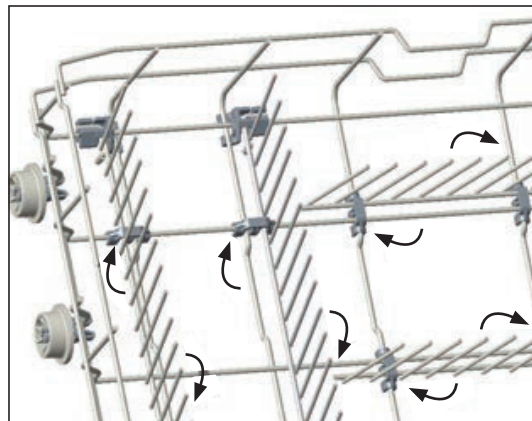
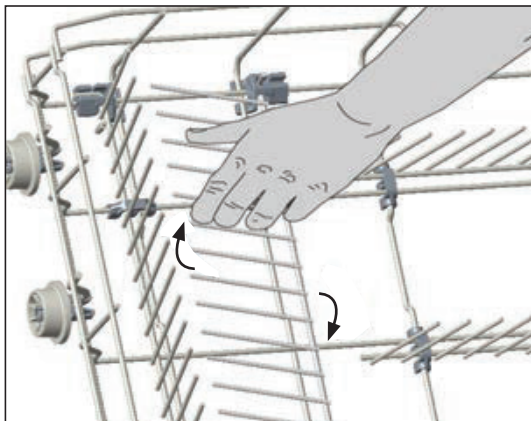
High position of the upper basket

Low position of the upper basket

## BOTTOM RACK

### Lower Folding Racks

The four folding racks located in the lower rack of your machine are designed to let you easily load larger items such as bowls, pots, pans, etc. Each part can be folded separately, or they can all be folded to create a larger loading area.



Folding racks can be raised up for use or folded flat to make space for larger cookware

### NOTE

When unloading the dishwasher, empty the lower rack first followed by the upper rack, to avoid water dripping from the upper rack onto dishes in the lower rack.

## CLEANING PROGRAMS & OPTIONS

Setting		Duration (min)	Description
Regular	Dirty	227	Standard program for daily, regular or typical use to completely wash a load of normally soiled dishes
	Clean	182	
Auto	Dirty	155	Automatically adjusts the temperature and the quantity of water, the energy consumption and the program duration
	Clean	110	
Intensive Plus		165	Suitable for heavily soiled dishes with dried-on food
Pots & Pans		130	Suitable for heavily soiled dishes
Light Wash		117	Suitable for freshly soiled daily dishes
Delicate		90	Suitable for lightly soiled delicate dishes
Quick Wash		50	Suitable for normally soiled daily dishes with a faster program
Rinse		15	Suitable to rinse dishes that you plan to wash later

Compatibility of Programs and Options		Options					
		Half Load	Sanitize	Extra Fast	Extra Dry	Hi-Temp	Silent
Programs	Regular	✓	✓	✓	✓	✓	✓
	Auto	✓	✓	✓	✓	✓	✓
	Intensive Plus	✓	✓	✓	✓	✓	✓
	Pots & Pans	✓	✓	✓	✓	✓	✓
	Light Wash	✓	✓	✓	✓	✓	✓
	Delicate	✓	X	✓	✓	X	✓
	Quick Wash	✓	✓	X	✓	✓	X
	Rinse	✓	X	X	X	X	X

### NOTE

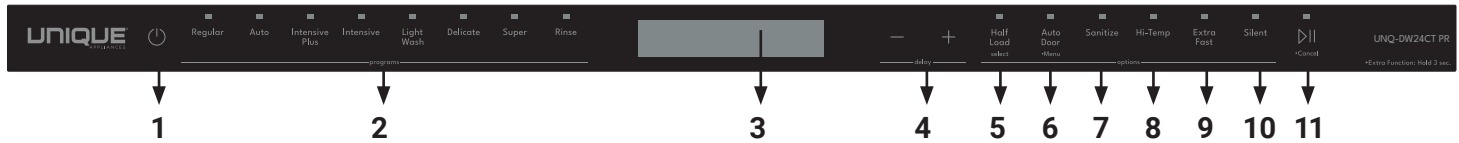
The program duration may change according to the amount of dishes, the water temperature, the ambient temperature and selected additional functions.

### NOTE

The energy-usage label is based on the “Regular” program. This program is the most efficient in terms of its combined energy and water consumption at cleaning normally soiled dishes.

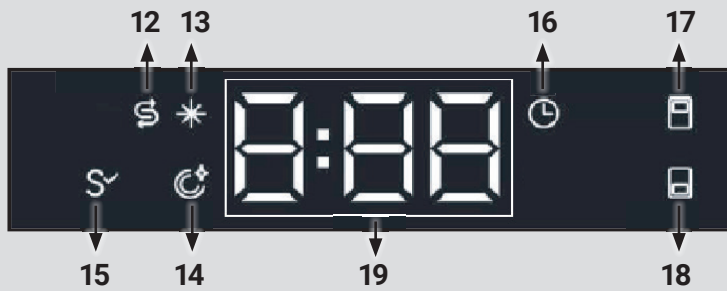
- Only use powder detergent for short programmes.
- Short programmes do not include drying.
- To assist drying, we recommend slightly opening the door after a cycle is complete.

# THE CONTROL PANEL



- |                    |                     |                        |
|--------------------|---------------------|------------------------|
| 1. On/Off Button   | 5. Half Load Button | 9. Extra Fast Button   |
| 2. Program Buttons | 6. Auto / Door Menu | 10. Silent Button      |
| 3. Display         | 7. Sanitize Button  | 11. Start/Pause Button |
| 4. Delay Buttons   | 8. Hi-Temp Button   |                        |

## Display details



- |                               |
|-------------------------------|
| 12. Sequence setting          |
| 13. Rinse Aid indicator       |
| 14. End Step indicator        |
| 15. Sanitized indicator       |
| 16. Delay indicator           |
| 17. Upper Half Load indicator |
| 18. Lower Half Load indicator |
| 19. Program Time indicator    |

### 1. On/Off Button

Turn the machine on by pressing the On/Off button.

### 2. Program Selection Buttons

Select a suitable program for your dishes by pressing Program buttons. For the details of the programs refer to section Program Table (page 19).

### 3. Display

The display shows the total time of the selected program and the remaining time during operation.

### 4. Delay Buttons

Press the Delay Buttons to delay the start time of a programme for 1 hour up to 24 hours. Pressing once to + button will delay the start time for 1 hour. Once you press it, display will show "1h" and display will show program duration and delay time alternately for 2 seconds. Continuing to press the button will increase the delay duration. Press the - button to decrease the delay duration. In order to start the selected program with delay, Start/Pause button(8) should be pressed and the door of the dishwasher must be closed within 4 seconds. If you turn off the machine after activating the delay time, the delayed time is cancelled

### 5. Half Load Button

Thanks to the half load function in your machine, you can shorten the durations of the programmes that you have selected and reduce the energy and water consumption by using half load electricity and water. There is half load option with 3 modes. When you press the half load button in user interface the indicator/indicators on the screen will be on according to your mode choice. If you press the button once the upper half load basket indicator will be visual, if you press the button twice the lower half load basket

## THE CONTROL PANEL (continued)

indicator will visual, and if you press the button 3 times, the upper half load basket indicator and lower half load basket indicator will be visual on the screen. After 4th press the button the indicators will be disappear. Also, if any of the half load option modes are selected, the half load button LED will be on.

### 6. Auto Door Button

Select the Auto Door option to enable the door of the machine to open at the end of the programme to increase drying efficiency. This function also saves energy by operating at a lower temperature. The Auto Door LED will illuminate.

### 7. Sanitize Button

Sanitize function raises the water temperature in the final rinse. The Sanitize LED will be displayed. NSF certified cycle and option combinations:

- \* Regular Cycle with Sanitize option
- \* Auto Cycle with Sanitize option
- \* Intensive Plus Cycle with Sanitize Option
- \* Intensive Cycle with Sanitize Option
- \* Daily Cycle with Sanitize Option
- \* Super Cycle with Sanitize Option

These cycles have been designed to meet the requirements of NSF/ANSI Standard 184 for Residential Dishwashers.

### 8. Hi-Temp Button

When this option is selected, both the water temperature and the washing time are increased. The Hi-Temp LED will be displayed.

### 9. Extra Fast Button

Select the Extra Fast function to decrease the duration of a program, which uses less water. The Extra Fast LED will be displayed.

### 10. Silent Button

Select the Silent function for a more sensitive and silent washing operation. This option reduces the sound pressure level of the program. The Silent LED will be displayed.

### 11. Start/Pause Button

Open the door of your machine. Select the program and options. Press Start/Pause button. Close the door within 4 seconds and the program will start. If more than 4 seconds elapses before the door is closed, program will not start. The total duration of a program can change while running depending on the ambient temperature where your machine is installed, temperature of the supply water and amount of the dishes.

If the door is opened while the machine is running, the machine will switch to the standby mode. Press Start/Pause button and close the machine door within 4 seconds, and the operation will resume.

### 12. Sequence Setting

This button is used to access settings within specific Wash/Dry programs.

### 13. Rinse Aid Indicator

When the rinse aid level is low, the rinse aid indicator displays to alert you to refill the rinse aid chamber.

### 14. End Step Indicator

When the program is completed, the end step indicator will display and the buzzer will sound 5 times at 5 minute intervals a total 4 different times at the end of the program (at 0, 5, 10 and 15 minutes).

## THE CONTROL PANEL (continued)

### 15. Sanitized Indicator

Once the Sanitize program has successfully completed, the Sanitized Indicator will display. If the washing cycle is interrupted or adequate water heating cannot be achieved, the Sanitized Indicator will not display.

### 16. Delay Indicator

When a program is started with a delay, the Delay Indicator will display.

### 17. Upper Half Load Indicator

If you have dishes only in the upper basket, select the half load upper basket option. If it is selected, the half load upper rack indicator will display.

### 18. Lower Half Load Indicator

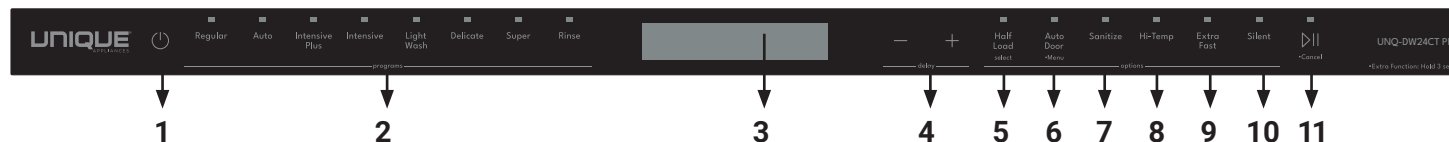
If you have dishes only in the lower basket, select the half load lower basket option. If it is selected, the half load lower rack indicator will display.

### NOTE

If you have dishes both of in the upper and lower basket, select the half load upper basket and half load lower basket option together. If it is selected, upper half load basket indicator and lower half load basket indicator together will be displayed.

### 19. Programme Time Indicator

Program duration can be monitored via Program Time Indicator.



### 1. Changing a Programme

Follow the steps below to change a program while in operation:

- Open the door and press the Start/Pause Button (11).
- Choose a new program by pressing Program buttons (2).
- After program selection, press the Start/ Pause button (11).
- After closing the door within 4 seconds, the newly selected program will resume the course of the old program. If 4 seconds is exceeded and the door is closed, program will not resume.

### WARNING

In general, it is not advisable to open the door while the dishwasher is in operation. If the door is opened, a safety device stops the dishwasher. Care should be taken when opening the door immediately following the cycle, as steam may escape.

## THE CONTROL PANEL (continued)

### Canceling a Programme

To cancel a program while in operation, follow the steps below:

- Open the door of your machine. The selected program will appear on the display.
- Press and hold the Start/Pause button (11) for 3 seconds. "0:01" will be shown on the display.
- Press the Start/Pause button (11) and after closing the dishwasher door within 4 seconds, the water draining process will start and continue for 30 seconds. When the program is cancelled, buzzer will sound 5 times.

### Turning the Machine Off

"0" will be shown on the display when the selected program is complete and the buzzer will sound 5 times. You can then switch your machine off using the Power On/Off button (door must be open to turn off.)

#### NOTE

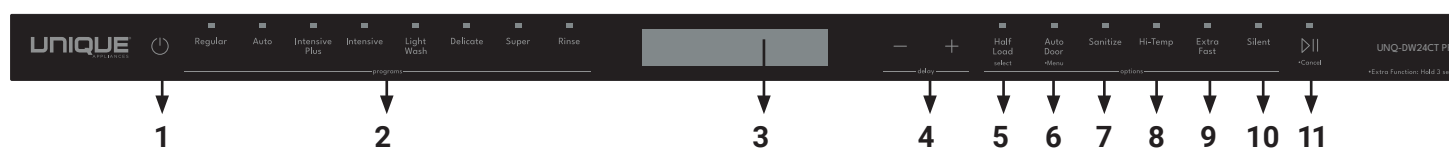
Do not open the door before the program is complete.

#### NOTE

If the door of the machine is opened or the power is cut off while a program is in operation, press Start and close the door to continue the program.

#### NOTE

If the power is cut off during the drying process, the program will terminate and a new program selection can be made.



### Menu Settings

- Press the Auto Door button (6) for 3 seconds to enter menu. The Sequence setting (e.g. SL1) is displayed first.
- Press Delay buttons (4) to cycle through the menu.
- Press Half Load button (5) to enter to the levels of the setting you want to change in the menu. At this time display (3) blinks and that means this setting can be changed by pressing the Delay buttons (4).
- Set the new level with Delay buttons (4) and press Half Load button (5) to save the new level. Display (3) will stay lit to confirm that the new setting level is saved.

Change another setting by following with these steps, or exit from menu by pressing the Extra Dry button (6) for 3 seconds or turning the dishwasher off/on.

## THE CONTROL PANEL (continued)

Number	Setting	Option	Description
1	Sequence setting	SL1*	This button is used to access settings within specific Wash/Dry programs.
		SL2	
		SL3	
		SL4	
		SL5	
		SL6	
2	Rinse aid	r:1	Set the amount of rinse aid
		r:2	
		r:3	
		r:4*	
		r:5	
3	Buzzer sound control	0	Set the buzzer sound level
		1	
		2	
		3*	
4	Start program	LPO*	Set a default programme for when the appliance switched on
		LP1	
5	Save power mode	SP0	Set the Save Power Mode
		SP1*	
		SP2	
6	Factory setting	FS0*	Restore changed settings to the FS1 factory settings
		FS1	

### 1. Sequence Setting

Used to access settings within specific Wash/Dry programs (page 12)

### 2. Rinse Aid

To change the rinse aid setting, follow "Filling the rinse-aid and setting" (page 12)

### 3. Buzzer Sound Control

To change the buzzer sound control, follow the "Menu Settings" (page 23)

Please note: "b:3" level is the highest sound level; "b:0" level is silent.

### 4. Start Program

To change the Start Program selection, follow the "Menu Settings" (page 23). In "LP0" level, the machine turns on with Regular program selected. In "LP1" level, the machine turns on with last selected program and option.

## THE CONTROL PANEL (continued)

### 5. Save Power Mode

To change the save power mode setting, follow the "Menu Settings". In "SP0" level, interior lights (if available) will always be off, the screen will turn off after 4 minutes and the machine will turn off after 15 minutes of inactivity in order to save energy.

In "SP1" level, the interior lights will turn off after 4 minutes when the door is opened, the screen will turn off after 4 minutes and the machine will turn off after 15 minutes of inactivity in order to save energy.

In "SP2" level, when the machine is in the "off" position, the interior lights will turn off after 4 minutes when the door is opened. When the machine is in the "on" position, the interior lights will be on as long as the door stays open and machine will not turn off except by pressing On/Off button.

### 6. Factory Setting

To change the factory setting, follow the "Menu Settings". If you change the level as "FS1" in factory setting, all settings will return to the default setting.

#### InfoLED 2.1

The InfoLED that is positioned on the bottom edge of the dishwasher shines a light on the floor to indicate the current status of the dishwasher during washing.

LED Indicator	State of the Machine
Red, continuous	The machine is running a program
Red, flashing	A program is cancelled
Red, flashing rapidly	The machine has a fault. Refer to section "Automatic fault warnings and what to do"
Green, continuous	A program is finished

### Unloading your dishwasher

Empty the lower rack first and then the upper rack. This will avoid water dripping from the upper rack onto dishes in the lower rack.

#### WARNING

In general, it is not advisable to open the door while the dishwasher is in operation. If the door is opened, a safety device stops the dishwasher. **Care should be taken when opening the door immediately following the cycle, as steam may escape.**

## MAINTENANCE AND CLEANING

### WARNING

Before cleaning or carrying out maintenance, switch off the appliance, disconnect the mains plug and turn off the water tap. Your dishwasher can only be repaired by an authorized service agent. Do not try to repair your machine unless recommended by this manual.

### WARNING

Use cleansers suitable for appliances. All dishwasher surfaces are susceptible to scratching and could be damaged by abrasive cleaners, scouring pads, and/or abrasive cloths. Unsuitable cleaning agents can alter or discolor surfaces.

### WARNING

Keep the floor around your dishwasher clean and dry to prevent mold growth, damage or personal injury. If the dishwasher isn't going to be used for an extended time (when on holidays, for example) we recommend keeping your dishwasher clean, empty and with the door cracked open to allow air to circulate.

## Cleaning and maintaining your dishwasher

Cleaning the dishwasher regularly ensures efficient operation and can prolong the machine's service life. Clean the machine, filters and spray arms at least once a month.

Unplug your machine and turn off its tap before starting the cleaning.

Do not use abrasive materials to clean your machine: a mix of mild detergent and warm water applied with a soft cloth works well for regular cleaning.

Occasionally, oil and mineral deposits may accumulate in the dishwasher. To remove these deposits:

- Fill the detergent compartment without loading any dishes into the machine
- Select a program that runs at high temperature
- Start the machine.

If this process doesn't remove the deposits entirely, use a commercially available dishwasher cleaning product.

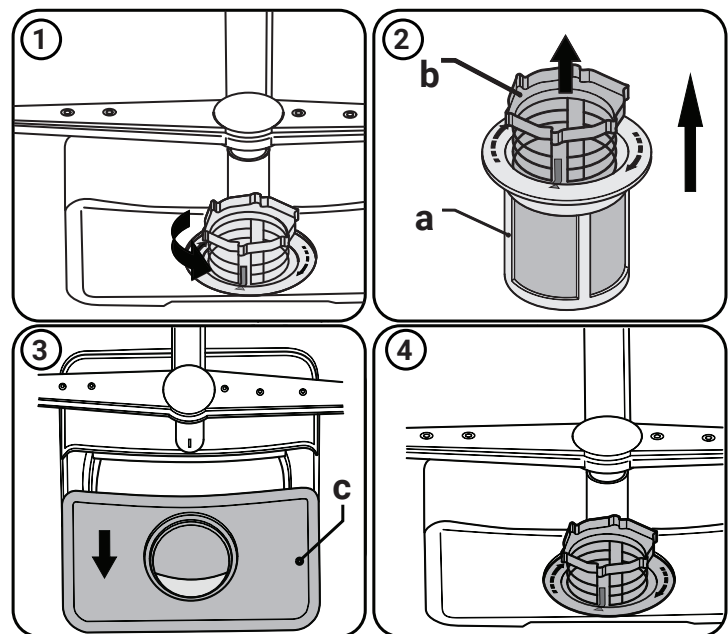
Clean the dishwasher door seals by wiping them regularly with a clean, damp cloth to remove any accumulated residues that could inhibit a tight seal.

### Cleaning the filters

Check if any food waste has remained on the coarse and fine filters. If any food waste is left, remove the filters and clean them thoroughly under running water.

#### Filter

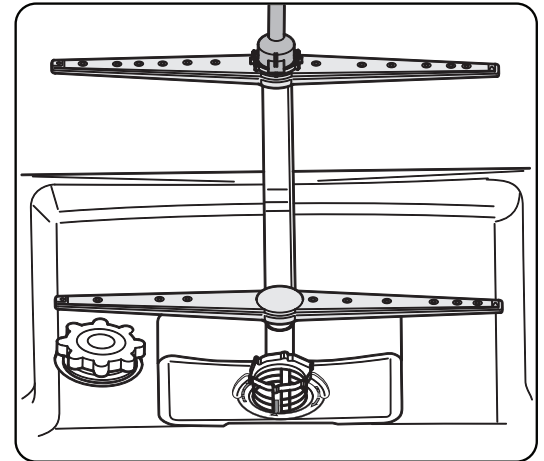
- a. Micro Filter
- b. Coarse Filter
- c. Metal/plastic cover



## MAINTENANCE AND CLEANING (continued)

### Spray Arms

Check that the holes in the upper and lower spray arms are not clogged. If there is any clogging, remove the spray arms and clean them under running water. You can remove the lower spray arm by pulling it upwards, while the upper spray arm nut can be removed by turning the nut to the left. Be sure that the nut is well tightened when refitting the upper spray arm.

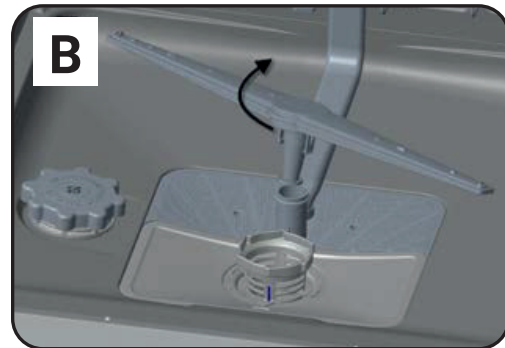
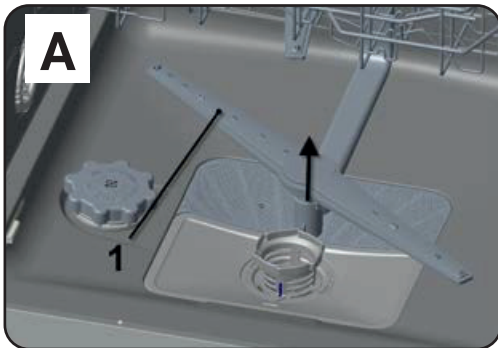
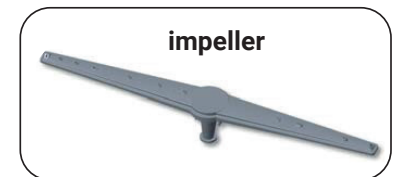


### Cleaning The Impellers

To ensure efficient operation, clean the impellers at least once a week.

#### Lower Impeller

Check that the holes on the lower impeller (1) are not clogged. If they are clogged, remove and clean the impeller under running water. To remove the lower impeller, pull it upwards (A, B.)



#### Upper Impeller

Check that the holes on the upper impeller (1, below) are not clogged. If they are clogged, remove and clean the impeller under running water. To remove the upper impeller, turn its nut to the left and pull the impeller downwards (C, D) Make sure that the nut is well tightened when refitting the upper impeller.



## WHAT NOT TO WASH IN YOUR DISHWASHER

**All items to be placed in the dishwasher should be dishwasher safe.**

- Plastic items with “dishwasher safe” or an equivalent label are generally safe to be washed in dishwashers. Plastics may lose their shape or color. Check with manufacturer for recommendations.
- Any dishes made out of wood or that have wooden parts are not suitable for washing in dishwashers. High temperatures and detergents can cause the wood swell and/or crack.
- Silver items without a dishwasher-safe label should not be washed in the dishwasher because high temperatures and detergent can damage silver. Check with manufacturer for recommendations.
- Dishwasher-safe silver items and stainless steel items should not come into contact with each other, as the silver can become discolored.
- Porcelains and glassware with decorations and hand-painted dishes/utensils may be damaged by water pressure, high heat and detergent. Non-decorated items are generally dishwasher-proof. Check with manufacturer for recommendations.
- Aluminum can turn dark in the dishwasher due to the heat, detergent and/or certain minerals present in the water.
- Do not wash sponges, dish cloths or anything absorbant in the dishwasher.
- Do not wash any material like acrylic, copper, brass, pewter, iron, bronze or tin.
- Cast iron, enamelled cast iron, copper and non-stick cookware should never be washed in the dishwasher as the high heat and detergent can damage their cooking surfaces.
- In-laid or glued dishes/cutlery are not suitable for the dishwasher as the high heat and detergent can loosen the adhesives used to join materials such as plastic, wood, bone, steel, copper, tin, etc.
- If there is any doubt concerning an item being safe to be washed in the dishwasher, follow the instructions from its manufacturer, or wash the items by hand.

### **WARNING**

Do not wash items soiled with cigarette ash, candle wax, varnish, paints or chemicals as they can damage your dishwasher.

## TROUBLESHOOTING

Fault	Possible Cause	Possible Solution
The program does not start.	The dishwasher is not plugged in	Ensure the dishwasher is properly plugged in
	The dishwasher is not switched on	Switch your dishwasher on by pressing the On/Off button
	The fuse is blown	Check your indoor fuses
	The water inlet tap is closed	Turn on the water inlet tap
	The dishwasher door is open	Ensure the dishwasher door is properly closed
	Water inlet hose and machine filters are clogged	Check the water inlet hose and machine filters to make sure they are not clogged
Water remains inside the dishwasher after program has finished	The drain hose is clogged or twisted	Check the drain hose to make sure it is clear of debris and not twisted or kinked
	The filters are clogged	Clean the filters
	The program is not finished yet	Wait until the program is finished
The machine stops during washing program	Power failure	Check the mains power
	Water inlet failure	Check the water tap
Shaking and impact noises are heard during the wash program	The spray arm is hitting dishes in the lower basket	Ensure that the spray arm has ample clearance; move or remove items blocking the spray arm
Partial food wastes remain on dishes after wash program is complete	Dishes placed incorrectly, water not reaching all dishes	Ensure dishes are loaded correctly and baskets are not overloaded
	Dishes leaning against each another	Ensure dishes are loaded correctly; see pages 15-17 for directions
	Not enough detergent used	Use the correct amount of detergent: see page 18 for directions
	Wrong wash program selected	Refer to page 18 to select the most appropriate wash program
	Spray arms are clogged with food waste	Ensure the holes in the spray arms are clear; carefully remove any clogs with a wooden toothpick or similar tool
	Filters or water drain pump is clogged or the filter is missing	Ensure the drain hose and filters are clean and correctly fitted

## TROUBLESHOOTING (continued)

Fault	Possible Cause	Possible Solution
Whitish stains remain on dishes	Not enough detergent used	Use the correct amount of detergent; see page 18 for directions
	Rinse aid dosage and/or water softener setting is set too low	Increase rinse aid and/or water softener level
	High water hardness level	Increase water softener level
Dishes do not dry	Drying option is not selected	Select a program with a drying option
	Rinse aid dosage set too low	Increase rinse aid dosage setting
Rust stains form on the dishes	Dishes/cutlery are not dishwasher safe. Dishes/cutlery are made of poor quality stainless steel	Ensure dishes and cutlery are dishwasher safe. When in doubt, wash by hand.
	Poorly grounded mains	Consult a qualified electrician immediately
Detergent remains in the detergent compartment	Detergent was added when the detergent compartment was wet	Make sure detergent compartment is dry before adding detergent.

## ERROR CODES AND POSSIBLE SOLUTIONS

Error Code	Possible Fault	Possible Solutions
FF	Water inlet system failure	Make sure the water inlet tap is open and water is flowing
		Separate the inlet hose from the tap and clean the filter of the hose
		Contact customer service if error continues
F5	Pressure system failure	Contact customer service
F3	Continuous water input	Close the tap and contact customer service
F2	Inability to discharge water	Water discharge hose and filters may be clogged
		Cancel the program
		Contact customer service if error continues
F8	Heater error	Contact customer service
F1	Overflow	Unplug the machine and close the tap
		Contact customer service
F7	Overheating	Contact customer service
F9	Divisor position error	Contact customer service
F6	Faulty heater sensor	Contact customer service
HI	High voltage failure	Contact customer service

## HELPFUL TIPS

1. When the machine isn't in operation:
  - Disconnect the plug and close the tap.
  - Leave the door slightly open to prevent odour formation and/or mold growth.
2. Select the Dry option to remove water droplets.
3. Place dishes in the machine properly to achieve the best energy consumption, washing and drying performance. Please see the program and consumption table for more information.
4. Rinse dirty dishes before placing them in the dishwasher.
5. Only use the Rinse program when necessary.
6. Do not place the machine near a refrigerator because it will reach high temperatures.
7. If the machine is located in an area that is at risk of freezing, close the tap, disconnect the inlet hose from the tap and drain the water inside the hose and the machine completely.

### Protecting your dishwasher for long periods of time

Your dishwasher should be protected from freezing if you plan to leave it for extended periods in an unheated place. Have a qualified person do the following:

#### To disconnect service:

- 1 Turn off the electrical power to the dishwasher at the supply source by moving fuses or tripping the circuit breaker.
- 2 Turn off the water supply.
- 3 Place a pan under the inlet valve, then disconnect water line from the inlet valve and drain it into the pan.
- 4 Disconnect drain line from pump and drain the water into a pan.

#### To restore service:

- 1 Reconnect the water, drain, and electrical power.
- 2 Turn on water and electrical power supply.
- 3 Fill the detergent cup and the rinse aid cup and run the dishwasher through a heated-wash cycle.
- 4 Check all connections to make sure they do not leak.

#### CAUTION

- If an overflow occurs, turn off the main water supply before calling for service.
- If there is water in the base pan because of an overflow or small leak, the water should be removed before restarting the dishwasher.

# RATING LABEL/WIRING DIAGRAM

**UNIQUE**  
APPLIANCES

Model / Modèle: UNQ-DW24CT PR

Type Number: IDHSD72B3R42B12

MADE IN TURKEY

(Fabriqué en Turquie) ID:572244

120 V / 60 HZ 12 A

**(M)** 0,9 A



Energy Verified



LISTED  
XXXXXX

HOUSEHOLD DISHWASHER  
LAVE-VAISSELLE DOMESTIQUE



SN:00000000000000000000

XXXXXXXXXXXX

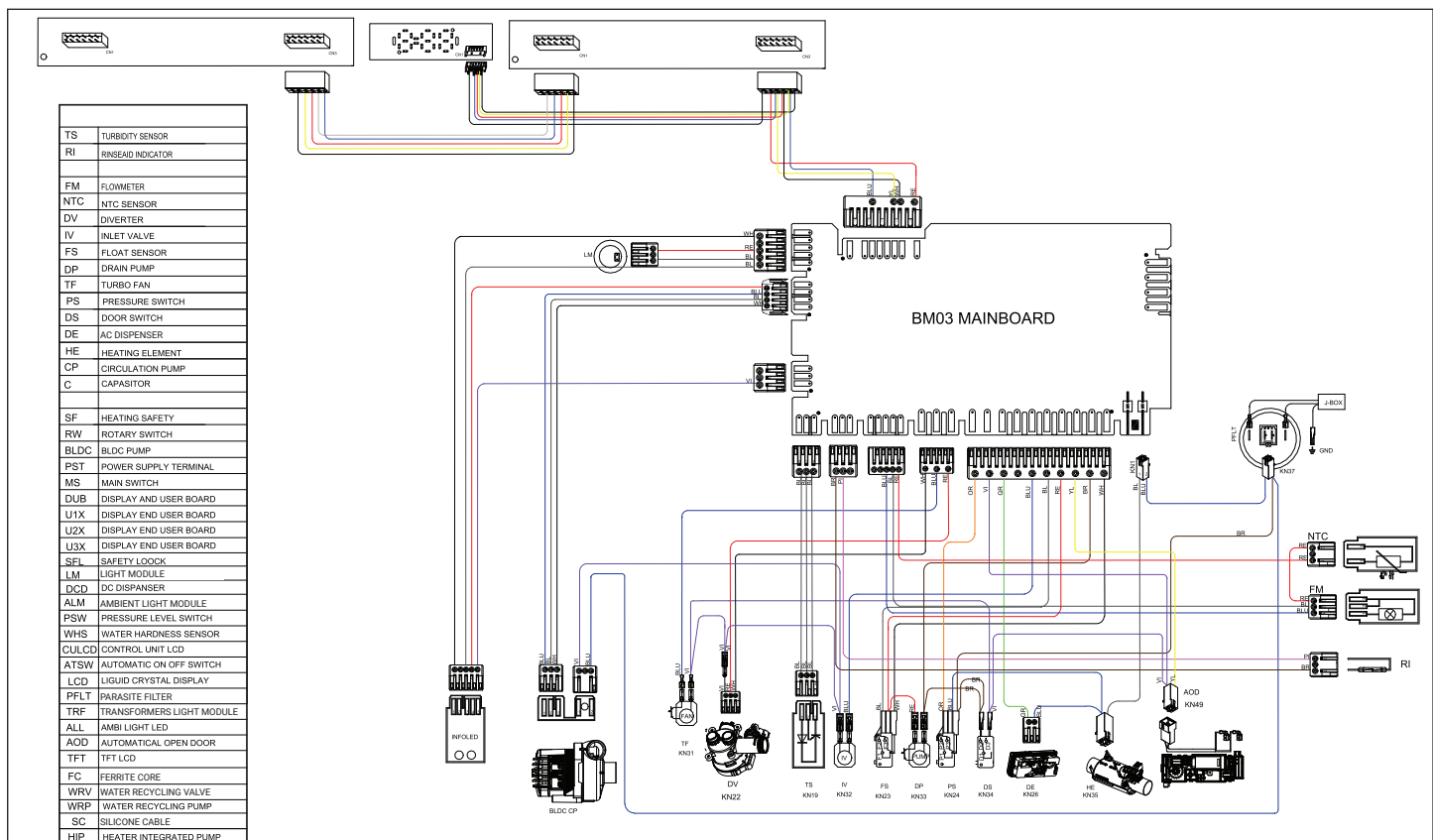


## WARNING

Disconnect electrical power before servicing.

## CAUTION

Label all wires prior to disconnection. Wiring errors can cause improper and dangerous operation. Verify operation after servicing.



# WARRANTY

**Unique Appliances Ltd. (hereafter "Unique") warrants that this UNIQUE appliance is free from manufacturer's defects in material and workmanship under normal usage and service under the following terms.**

## Parts Warranty

This appliance has been designed for domestic household use. If properly installed, adjusted and operated under normal conditions in accordance with printed instructions, it will satisfactorily perform the functions that are generally expected of this type of appliance.



If the appliance fails to do so because of a defect in material or workmanship within one year from the original date of purchase: Unique will at our option, repair, exchange, or correct by other means Unique consider appropriate, any part(s) Unique finds to be defective except for the surface finish.

## Ownership

This Warranty is made only to the first purchaser ("original purchaser") who acquires this appliance for his/her own use and will be honored by Unique Appliances and by the Seller. Purchaser must retain their receipt as proof of purchase date.

## Warranty Conditions

This warranty does not apply to any appliance that has been subjected to alterations, misuse, abuse (including damage by foreign agents or chemicals), accident, improper installation or service, delivery damage, or other than normal household use and service. This UNIQUE appliance must be serviced regularly as outlined in the Owner's Manual. In case of damage, the owner must provide proof of purchase, Model, and Serial Number to the selling dealer or Unique Appliances. This warranty is LIMITED STRICTLY to the terms indicated herein, and no other expressed warranties or remedies thereunder shall be binding on Unique.

## Purchaser's Responsibilities

The purchaser will be responsible for the costs of any service calls requested to demonstrate or confirm the proper operation of the appliance, the installation, or to correct malfunctions in the appearance created by the operation of the appliance in a manner not prescribed by or cautioned against in the use and care instructions.

## Model and Serial Number

The appliance model number and serial number can be found on a rating plate on the range. The purchaser should always refer to the model and serial number when talking to or contacting the dealer from whom the appliance was purchased.

## EXCLUSIONS

Save as herein provided, by Unique, there are no other warranties, conditions, representations or guarantees, express or implied, made or intended by Unique or its authorized distributors and all other warranties, conditions, representations or guarantees, including any warranties, conditions, representations or guarantees under any Sale of Goods Act or like legislation or statute is hereby expressly excluded. Save as herein provided, Unique shall not be responsible for any damages to persons or property, including the unit itself, howsoever caused or any consequential damages arising from the malfunction of the unit and by the purchase of the unit, the purchaser does hereby agree to indemnify and hold harmless Unique from any claim for damages to persons or property caused by the unit

Removal or disfigurement of the rating plate will void the warranty. The purchaser will be responsible for any expenses involved in making the gas range readily accessible for servicing. The purchaser will be responsible for any extra charges where the installation is in a remote location such as un-assumed roads, islands, areas known as cottage country, more than 75 km outside a Metropolitan area, or where a technician is not available. Freight damage is not covered by this warranty.

## GENERAL PROVISIONS

No warranty or insurance herein contained or set out shall apply when damage or repair is caused by any of the following:

- 1) Power failure.
- 2) Damage in transit or when moving the appliance.
- 3) Improper power supply such as low voltage, defective house wiring or inadequate fuses.
- 4) Accident, alteration, abuse or misuse of the appliance such as inadequate air circulation in the room or abnormal operating conditions (ie. extremely high or low room temperature).
- 5) Use for commercial or industrial purposes (ie. If the appliance is not installed in a domestic residence).
- 6) Fire, water damage, theft, war, riot, hostility, acts of God such as hurricanes, floods etc.
- 7) Service calls resulting in customer education.
- 8) Improper Installation (ie. Building-in of a free standing appliance or using an appliance outdoors that is not approved for outdoor application, including but not limited to: garages, patios, porches or anywhere that is not properly insulated or climate controlled).

Proof of purchase date will be required for warranty claims; retain bills of sale. In the event that warranty service is required, present the proof of purchase to our authorized service depot

**Nothing within this warranty shall imply that Unique will be responsible or liable for any direct or indirect loss of foods caused by failure in operation.**

## Factory Assistance

If the purchaser is unable to locate an authorized dealer/service agent, or if the purchaser does not receive satisfaction from the dealer, they may contact Unique Appliances Customer Service directly at Toll Free 1-877-427-2266 or 905-827-6154.

## APPLIANCE INFORMATION

To make care and servicing of your appliance easy and efficient, please record the following information for future reference:

**Model:**

---

**Serial Number:**

---

**Purchased From:**

---

**Date Purchased:**

---

## PRODUCT REGISTRATION



Scan the QR Code

or

Visit our website at <https://uniqueappliances.com/pages/product-registration> to register your product.

## CONTACT US

For questions related to the operation, safety or the purchase of your appliance, please contact your dealer for more information. For general information, contact our customer service department:



**Email**

[info@UniqueAppliances.com](mailto:info@UniqueAppliances.com)



**Toll-free**

1 877 427-2266 or 1 905 827-6154  
(available during regular business hours,  
8:30 am to 4:30 pm, EST.)



**Website**

[www.uniqueappliances.com](http://www.uniqueappliances.com)



© 2025 Unique Appliances Ltd, 2245 Wycroft Road, #5,  
Oakville, Ontario, Canada L6L 5L7

[www.uniqueappliances.com](http://www.uniqueappliances.com)