



UNDERCOUNTER BEVERAGE CENTERS

Viking Professional 5 Series – VBUI

PROFESSIONAL FEATURES

- Storage Capacity
 - 15"W. model stores up to (35) 12-oz cans and (5) wine bottles
 - 24"W. model stores up to 19 wine bottles total (7 flat)
 - Stores up to (108) 12-oz cans
- Dynamic Cooling Technology™ delivers rapid cool down and the industry's best temperature stability
- Thermal-efficient cabinet ensures optimum food preservation and energy efficiency while maximizing capacity
- With over 10 functions, Integrated controls allow for select a of precise cabinet temperature from 34°F to 42°F
- Audible and visual alarms signal when door is left ajar to protect food integrity and energy use
- Vacation/Sabbath mode conserves energy during times when the unit is not in use and complies with Star-K requirements
- Control Lockout prevents unintentional changes to settings
- System Indicator continuously monitors the unit
- Sleep/Wake Mode shuts off control display to conserve energy
- 3-in-1 Slide-Out Convertible Shelf™ features removable glass pane with wine rack option to store beverages, food or wine (24"W. model)
- Cantilevered, fully adjustable shelving system (15"W. model)
- Display wine rack glides out for easy access and holds 5 wine bottles, including magnum sizes
- Tinted, UV-resistant dual pane glass door protects wine from damaging ultra-violet light
- Soft-close integrated hinge provides zero clearance fit for a perfectly seamless built-in installation
- Two-stage, soft blue theatre-style LED lighting and sophisticated midnight black interior
- Close Door Assist System™ gently and automatically draws door to a close, ensuring door is never left ajar
- Height adjustment up to 1" with leveling legs



MODEL NUMBERS

- VBUI5150G(R/L)SS – 15"W. Refrigerated Beverage Center
- VBUI5240G(R/L)SS – 24"W. Refrigerated Beverage Center

DESIGN OPTIONS

- Order as left or right hinge

COLOR FINISHES

- Available in Stainless Steel (SS)

WARRANTY

- 2-year full covers complete unit
- 6-year full – sealed refrigeration system
- 90-day full – cosmetic parts such as glass, painted items, and decorative items
- 12-year limited – sealed refrigeration system



UNDERCOUNTER BEVERAGE CENTERS

Viking Professional 5 Series – VBUI

UNDERCOUNTER/FREESTANDING BEVERAGE CENTERS		
DESCRIPTION	VBUI5150	VBUI5240
Overall Width	14 7/8 (37.8 cm)	23-7/8" (60.6 cm)
Overall Height	34-3/4" (95.9cm)	
Overall Depth from Rear	To front of door – 23-23/32" (60.2 cm) To handle– 26-7/32" (66.6 cm) With door at 90° – 46-13/32" (117.9 cm)	
Electrical Requirements	120V / 60Hz / 15A (5 ft. power cord attached to product)	
Interior finish	Black	
Approximate Shipping Weight	125 lbs. (56.7 kg)	160 lb. (72.6 kg)

Please do not prepare installation from brochure data only. See installation instructions for important clearance/installation information.

15" Rough-in Dimensions		
A	B	C
15" (38.1 cm)	34" to 35" (86.4 to 88.9 cm)	24" (61 cm)

24" Rough-in Dimensions		
A	B	C
24" (61 cm)	34" to 35" (86.4 to 88.9 cm)	24" (61 cm)

15"W. Cabinet Dimensions					
D	E	F	G	H	J
14 7/8" (37.8 cm)	33-3/4" to 34-3/4" (85.7 to 88.3 cm)	23-23/32" (60.2 cm)	26-7/32" (66.6 cm)	37 13/32" (117.9 cm)	17 7/16" (67.2 cm)

24"W Cabinet Dimensions					
D	E	F	G	H	J
23-7/8" (60.7 cm)	33-3/4" to 34-3/4" (85.7 to 88.3 cm)	23-23/32" (60.2 cm)	26-7/32" (66.6 cm)	37 13/32" (117.9 cm)	26-7/16" (67.2 cm)

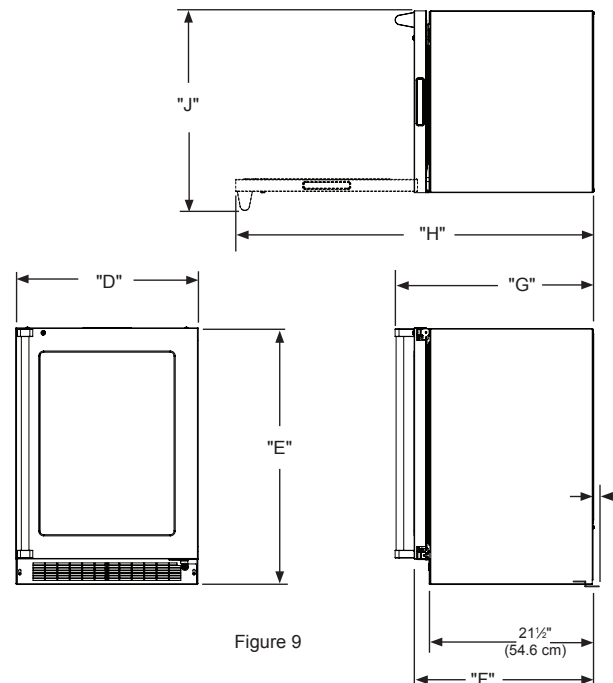
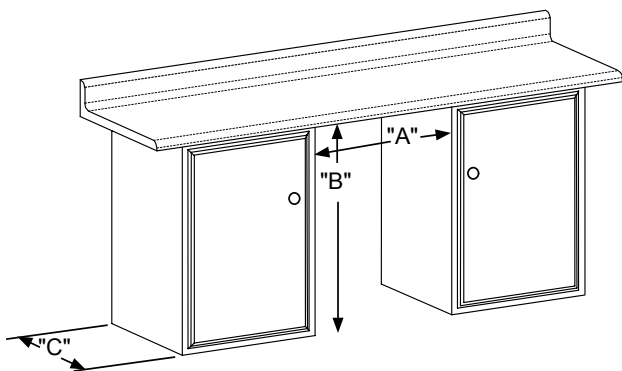


Figure 9



VIKING RANGE, LLC 111 FRONT STREET GREENWOOD, MISSISSIPPI 38930 USA

For detailed product information, model numbers, or to request a quote call 1-888-845-4641 or visit vikingrange.com
© 2016 Viking Range, LLC All rights reserved. Specifications subject to change without notice.