

RF-SSVC4/RF-SSVC6 Speaker Selectors



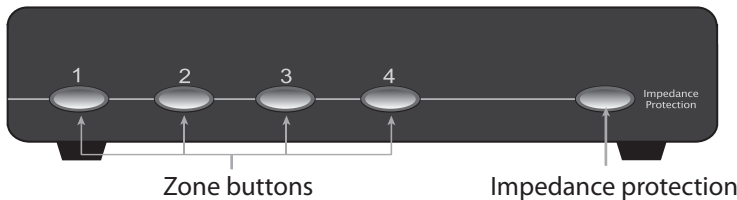
The RF-SSVC4 and RF-SSVC6 are passive speaker selectors that allow you to distribute an amplified stereo signal to multiple listening zones.

Guidelines

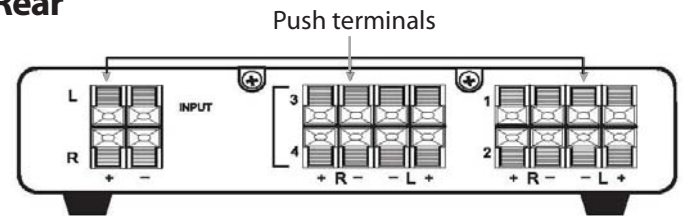
- When the connecting distance (length) is greater than 100 feet (30 m), 14-gauge cable should be used to reduce signal loss. For shorter distances, 16~18-gauge cables are acceptable.
- When connecting the speakers to an amplifier, make note of the polarity (positive +/red to positive, negative -/black to negative). For best sound performance, make sure that polarity is consistent among the amplifier, volume control, speaker selector, and speakers.
- The impedance protection circuit of these selectors can be manually activated. The protection circuit switch should be on whenever three or more zones are selected. When the protection switch is on, it can prevent the amplifier from overloading.
- To realize the maximum performance of your amplifier, turn the impedance protection switch off when one or two zones are selected.

Front

This image represents the SSVC4. The SSVC6 has 6 zones.

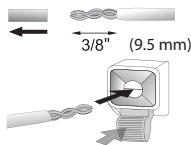


Rear



Installation

- 1 Turn off all components, including the amplifier.
- 2 Route speaker cables from each listening zone to the speaker selector.
- 3 Route speaker cables from the amplifier to the speaker selector.
- 4 Strip about 3/8" of insulation from each wire, and twist the exposed strands together to avoid fraying.



- 5 Press each push terminal in, insert the bare wire, then release the terminal to secure the cable to the terminal.

Operation

- 1 Turn on your amplifier or receiver.
- 2 Press the Zone button that corresponds to activate the speakers you want to use. For example, press Zone buttons 1 and 2 to use speakers 1 and 2.
- 3 Press the Zone button again to deactivate the speakers you do not want to use.

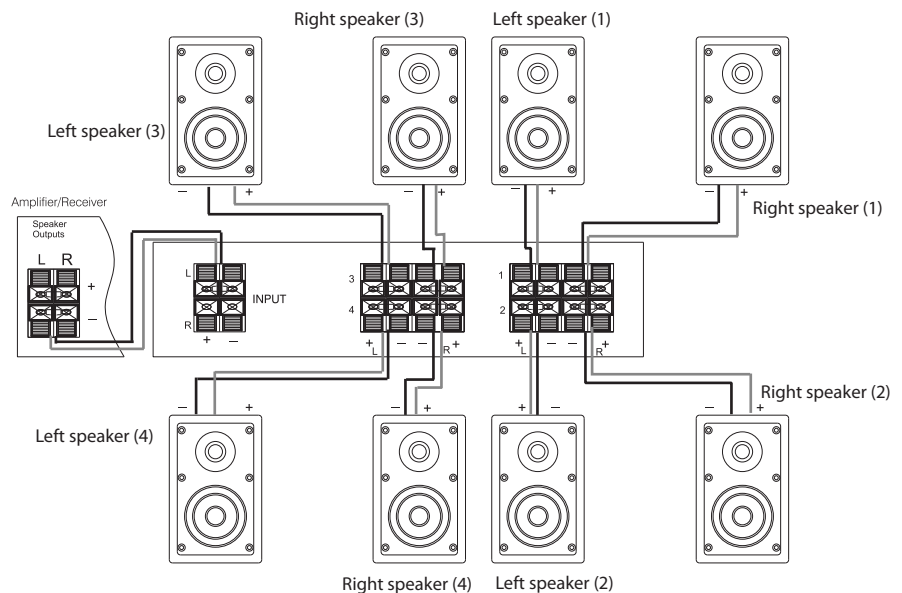
NOTE: Never place a speaker selector where it is exposed to excessive moisture or heat. Leave at least 1" (25 mm) of space above the unit for heat dissipation.

One-year limited warranty

Visit www.rocketfishproducts.com for details.

Contact Rocketfish: 1-800-620-2790

© 2010 BBY Solutions, Inc. All rights reserved.



Specifications		
	SSVC4	SSVC6
Listening zones	4	6
Protection circuit resistors	1 x 3 ohm/50 watts per channel	1 x 3 ohm/75 watts per channel
Maximum amplifier power with protection circuit engaged	40 watts/channel	40 watts/channel
Maximum amplifier power with protection circuit not engaged	120 watts/channel	120 watts/channel
Dimensions: L x W x H	8.5" x 4.4" x 1.97" (216 x 112 x 50 mm)	12.8" x 4.4" x 1.97" (324 x 112 x 50 mm)

ENGLISH 09-1150