

installation accessory
HDDFTRAN8



8" Front Rough-In Plate Enable Ducting To Be At Front Of Downdraft, For Use With Inline And Remote Blower Applications

- **8" Round Front Rough-In Plate**
- **For DHG602DUC Flexible Downdraft Blower Used As Inline Installation**
- **See Installation Guide For Details**

Product group: Accessory
Brand: Bosch
Product name / series name:
SKU: HDDFTRAN8
Internal article number: 00000000000777716
EAN code: 4242002915807
Product Packaging Dimensions (HxWxD): 2.49 x 13.37 x 13.24
Net Weight: 2.000 lbs
Gross Weight: 3.000 lbs
Quantity per packing unit:
Standard number of units per pallet: 60
UPC code: 825225921196



installation accessory
HDDFTRAN8

**8" Front Rough-In Plate Enable Ducting To
Be At Front Of Downdraft, For Use With
Inline And Remote Blower Applications**

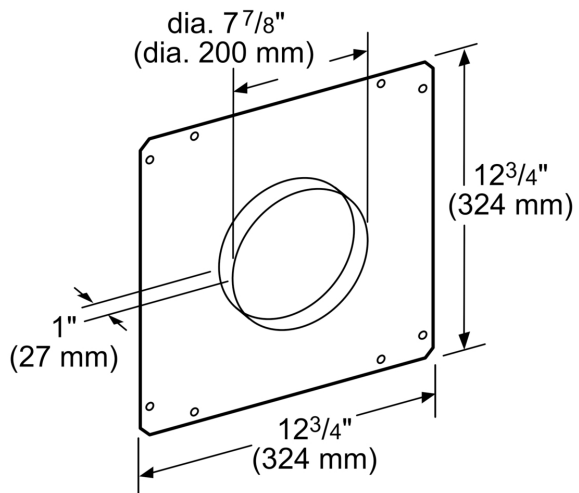
Design

- 8" Round Front Rough-In Plate

Performance

- For DHG602DUC Flexible Downdraft Blower Used As Inline Installation
- See Installation Guide For Details

installation accessory
HDDFTRAN8



measurements in inches (mm)