

7" and 9" Portable DVD Players

QUICK SETUP GUIDE

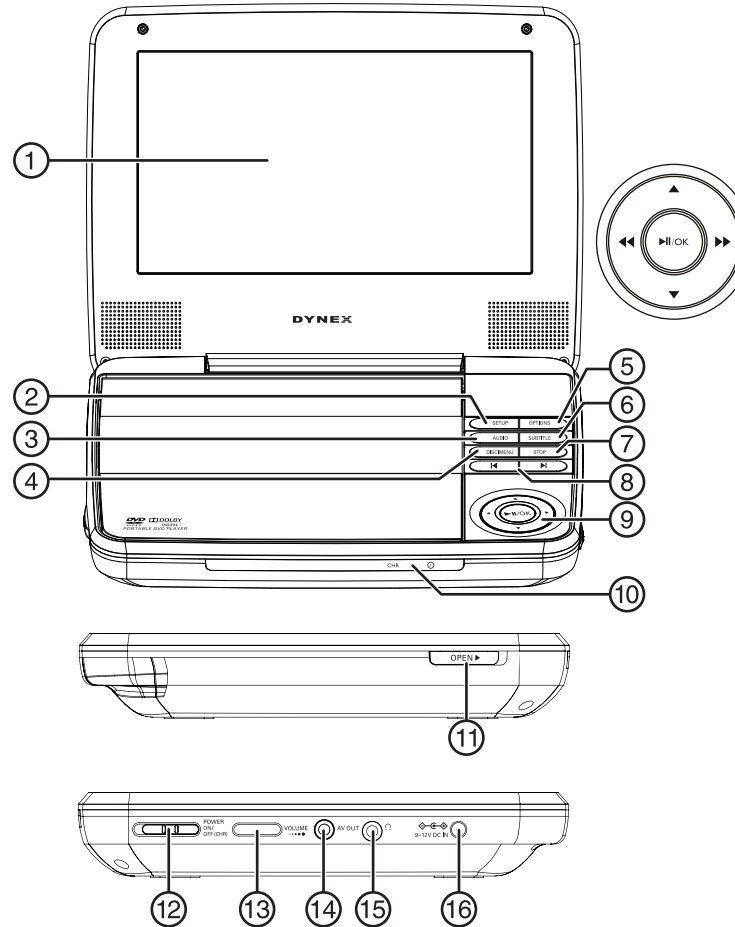
DX-P7DVD11 and DX-P9DVD11

Congratulations on your purchase of a high-quality Dynex product. Your DX-P7DVD11 or DX-P9DVD11 represents the state of the art in personal DVD player design and is designed for reliable and trouble-free performance.

Package contents


- DVD player with 7" or 9" LCD monitor
- Wall power adapter (AC adapter)
- Car adapter
- AV cable
- Quick Setup Guide

Features

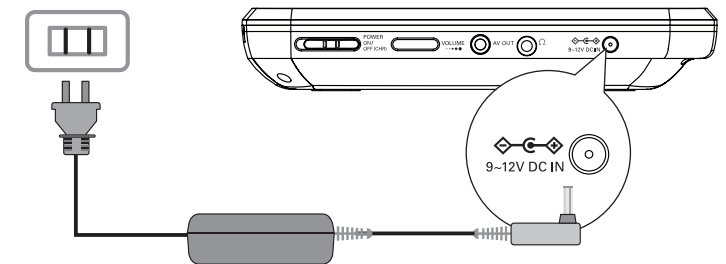


1	Display panel	
2	Setup	Access or exit the setup menu
3	Audio	For DVD, select an audio language
4	Disc Menu	For DVD, access or exit disc menu
5	Options	Access options relating to the current activity or selection
6	Subtitle	Selects DVD subtitle language
7	Stop	Stops the disc
8	⏮ ⏭	Skips to the previous or next title, chapter, or track
9	⏪ ⏩ ⏴ ⏵	Navigates through the menus
	⏴ ⏵	Searches backwards/forward at different speeds
	⏸ / OK	Confirms an entry or selection Starts, pauses, or resumes disc play
10	CHR / 🔋	Charging indicator/Power indicator
11	Open ▶	Opens the disc compartment
12	Power On/Off	Turns on/off DVD player
13	Volume	Increases or decreases volume
14	AV Out	Audio/ video output jack
15	🎧	Headphone jack
16	DC In	Power supply socket

Charging the battery

NOTE: During playback, if the battery low icon  appears on the screen the built-in battery power is low and your player should be recharged.

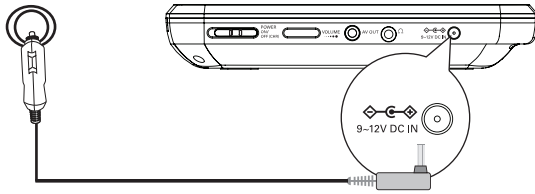
1 Plug one end of the wall adapter (AC) into the **DC** input jack on the side of your player.



2 Plug the other end of the power adapter into a wall outlet.

Connecting to a car cigarette lighter

- 1 Plug one end of the car power adapter into the **DC** jack on the side of your player.



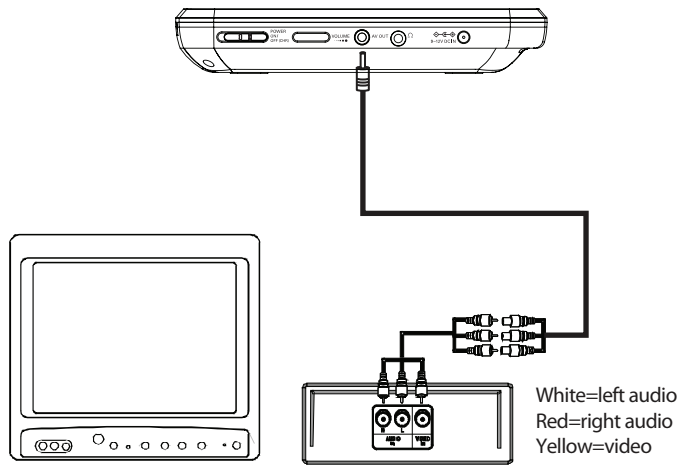
- 2 Plug the other end of the adapter into a 12V car power outlet or cigarette lighter socket.
- 3 Turn off your player. The red charge indicator will light up.

Connecting headphones

- Plug headphones (not included) into the **headphone** jack. When headphones are plugged into the **headphone** jack, no sound comes from the built-in speakers.

Connecting a TV or monitor

- 1 Plug the black connector end of the supplied A/V cable into the **AV** jack on your player.



- 2 Plug the connectors on an RCA cable (not included) into the connectors on the other end of the supplied A/V cable. Make sure that the colors on the connectors match.
- 3 Plug the other end of the RCA cable (not included) into the A/V jacks on the TV or monitor. Match the white connector to the left audio jack (white), the red connector to the right audio jack (red), and the yellow connector to the video jack (yellow).

Using your player

Playing a DVD or audio CD

Note: Most DVDs and your player have region codes that help control illegal distribution of DVDs. The region code for your player is **1**. You can only play DVDs with a region code of **1** or **ALL**. The region code for a DVD is printed on the DVD or the DVD packaging.

- 1 Make sure that your player is connected to power or that the battery is charged.
- 2 Slide the **ON/OFF** switch on the side of your player to the **ON** position.
- 3 Slide the **OPEN** switch on the left side of your player forward (toward you). The disc tray opens.
- 4 Place a disc, label side up, in the disc tray, then close the tray. Make sure the disc is snapped completely into place. The disc starts playing automatically.

Legal notices

FCC Part 15

This device complies with Part 15 of the FCC Rules. Operation of this product is subject to the following two conditions: (1) this device may not cause harmful interference, and (2) this device must accept any interference received, including interference that may cause undesired operation.

This equipment has been tested and found to comply within the limits for a class B digital device, pursuant to Part 15 of the FCC Rules. These limits are designed to provide reasonable protection against harmful interference in a residential installation. This equipment generates, uses, and can radiate radio frequency energy and, if not installed and used in accordance with the instructions, may cause harmful interference to radio communications. However, there is no guarantee that interference will not occur in a particular installation. If this equipment does cause harmful interference to radio or television reception, which can be determined by turning the equipment off and on, the user is encouraged to try to correct the interference by one or more of the following measures:

- Reorient or relocate the receiving antenna.
- Increase the separation between the equipment and receiver.
- Connect the equipment into an outlet on a circuit different from that to which the receiver is connected.
- Consult the dealer or an experienced radio/TV technician for help.

FCC warning

Changes or modifications not expressly approved by the party responsible for compliance with the FCC Rules could void the user's authority to operate this equipment.

Important safety instructions

- 1 Read these instructions.
- 2 Keep these instructions.
- 3 Heed all warnings.
- 4 Follow all instructions.
- 5 Do not use this apparatus near water.
- 6 Clean only with a dry cloth.
- 7 Do not block any ventilation openings. Install in accordance with the manufacturer's instructions.
- 8 Do not install near any heat sources such as radiators, heat registers, stoves, or other apparatus (including amplifiers) that produce heat.
- 9 Do not defeat the safety purpose of the polarized or grounding-type plug. A polarized plug has two blades with one wider than the other. A grounding type plug has two blades and a third grounding prong. The wide blade or the third prong are provided for your safety. If the provided plug does not fit into your outlet, consult an electrician for replacement of the obsolete outlet.
- 10 Protect the power cord from being walked on or pinched particularly at plugs, convenience receptacles, and the point where they exit from the apparatus.
- 11 Only use attachments/accessories specified by the manufacturer.
- 12 Unplug this apparatus during lightning storms or when unused for long periods of time.
- 13 Refer all servicing to qualified service personnel. Servicing is required when the apparatus has been damaged in any way, such as power-supply cord or plug is damaged, liquid has been spilled or objects have fallen into the apparatus, the apparatus has been exposed to rain or moisture, does not operate normally, or has been dropped.
- 14 To reduce the risk of fire or electric shock, do not expose this device to rain, moisture, dripping, or splashing, and no objects filled with liquids, such as vases, shall be placed on it.
- 15 When the wall (AC) adapter is powering the device, the wall plug on the adapter must be readily operable in order to safely disconnect the device from the wall outlet.
- 16 Batteries should not be exposed to excessive heat such as sunshine, fire, or the like.

Caution: Danger of explosion if battery is incorrectly replaced. Replace only with the same or equivalent type.

DYNEX™

90-day limited warranty

Visit www.dynexproducts.com for details.

We're here for you

www.dynexproducts.com

For customer service, call:

800-305-2204 (U.S./Canada markets)

Distributed by Best Buy Purchasing, LLC
7601 Penn Avenue South, Richfield, MN USA 55423-3645
RFC#BBI0802114Q2

© 2011 BBY Solutions, Inc., All Rights Reserved.
DYNEX is a trademark of BBY Solutions, Inc. Registered in some countries. All other products and brand names are trademarks of their respective owners.

ENGLISH 11-0456