



# Electric Free-Standing RANGES

**SAFETY INFORMATION** ..... 3

**USING THE RANGE**

Surface Units..... 8

Oven Controls.....10

Special Features..... 11

Oven Racks .....12

Aluminum Foil and Oven Liners.....12

Cookware.....12

Cooking Modes.....13

Cooking Guide .....14

**CARE AND CLEANING**

Cleaning the Range - Exterior.....15

Cleaning the Range - Interior .....18

Oven Light.....19

Oven Door..... 20

Storage Drawer..... 20

**TROUBLESHOOTING TIPS**..... 23

**LIMITED WARRANTY** ..... 26

**ACCESSORIES** ..... 27

**CONSUMER SUPPORT** ..... 28

**OWNER'S MANUAL**

JB258 - 30" Free-Standing Range

Write the model and serial numbers here:

Model # \_\_\_\_\_

Serial # \_\_\_\_\_

You can find the rating label on the front behind the range drawer.

**ESPAÑOL**

Para consultar una version en español de este manual de instrucciones, visite nuestro sitio de internet [GEAppliances.com](http://GEAppliances.com).

## **THANK YOU FOR MAKING GE APPLIANCES A PART OF YOUR HOME.**

---

Whether you grew up with GE Appliances, or this is your first, we're happy to have you in the family.

We take pride in the craftsmanship, innovation and design that goes into every GE Appliances product, and we think you will too. Among other things, registration of your appliance ensures that we can deliver important product information and warranty details when you need them.

Register your GE appliance now online. Helpful websites and phone numbers are available in the Consumer Support section of this Owner's Manual. You may also mail in the pre-printed registration card included in the packing material.

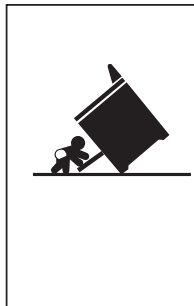


# IMPORTANT SAFETY INFORMATION

## READ ALL INSTRUCTIONS BEFORE USING THE APPLIANCE

**▲WARNING** Read all safety instructions before using the product. Failure to follow these instructions may result in fire, electrical shock, serious injury or death.

### ANTI-TIP DEVICE



#### ▲WARNING

##### Tip-Over Hazard

- A child or adult can tip the range and be killed.
- Install the anti-tip bracket to the wall or floor.
- Engage the range to the anti-tip bracket by sliding the range back such that the foot is engaged.
- Re-engage the anti-tip bracket if the range is moved.
- Failure to do so can result in death or serious burns to children or adults.

To reduce the risk of tipping the range, the range must be secured by a properly installed anti-tip bracket. See installation instructions shipped with the bracket for complete details before attempting to install.

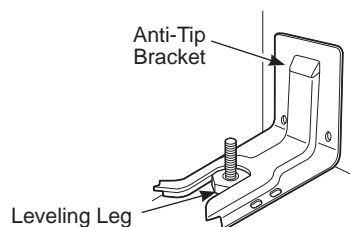
#### For Free-Standing and Slide-In Ranges

To check if the bracket is installed and engaged properly, look underneath the range to see that the rear leveling leg is

engaged in the bracket. On some models, the storage drawer or kick panel can be removed for easy inspection. If visual inspection is not possible, slide the range forward, confirm the anti-tip bracket is securely attached to the floor or wall, and slide the range back so the rear leveling leg is under the anti-tip bracket.

If the range is pulled from the wall for any reason, always repeat this procedure to verify the range is properly secured by the anti-tip bracket.

Never completely remove the leveling legs or the range will not be secured to the anti-tip device properly.



Free-Standing and Slide-In Ranges

### ▲WARNING GENERAL SAFETY INSTRUCTIONS

- Use this appliance only for its intended purpose as described in this Owner's Manual.
- **FIRE HAZARD:** Never leave the range unattended with the cooktop ON above a Lo setting. Keep flammable items away from the cooktop. Turn off all controls when done cooking. Failure to follow these instructions can result in fire, serious injury or death.
- Be sure your appliance is properly installed and grounded by a qualified installer in accordance with the provided installation instructions.
- Do not attempt to repair or replace any part of your range unless it is specifically recommended in this manual. All other servicing should be transferred to a qualified technician.
- Before performing any service, unplug the range or disconnect the power supply at the household distribution panel by removing the fuse or switching off the circuit breaker.
- Do not leave children alone—children should not be left alone or unattended in an area where an appliance is in use. They should never be allowed to climb, sit or stand on any part of the appliance.
- **▲CAUTION** Do not store items of interest to children above a range or on the backguard of a range—children climbing on the range to reach items could be seriously injured.
- Use only dry pot holders—moist or damp pot holders on hot surfaces may result in burns from steam. Do not let pot holders touch hot surface units or heating elements. Do not use a towel or other bulky cloth in place of pot holders.
- Never use your appliance for warming or heating the room.

## READ AND SAVE THESE INSTRUCTIONS

# IMPORTANT SAFETY INFORMATION

## READ ALL INSTRUCTIONS BEFORE USING THE APPLIANCE

### **▲WARNING** GENERAL SAFETY INSTRUCTIONS (Cont.)

- Do not touch the surface units, the heating elements or the interior surface of the oven. These surfaces may be hot enough to burn even though they are dark in color. During and after use, do not touch, or let clothing or other flammable materials contact the surface units, areas nearby the surface units or any interior area of the oven; allow sufficient time for cooling first. Other surfaces of the appliance may become hot enough to cause burns. Potentially hot surfaces include the cooktop, areas facing the cooktop, oven vent opening, surfaces near the opening and crevices around the oven door.
- Do not heat unopened food containers. Pressure could build up and the container could burst, causing an injury.
- Do not use any type of foil or liner to cover the oven bottom or anywhere in the oven, except as described in this manual. Oven liners can trap heat or melt, resulting in damage to the product and risk of shock, smoke or fire.
- Avoid scratching or impacting glass doors, cook tops or control panels. Doing so may lead to glass breakage. Do not cook on a product with broken glass. Shock, fire or cuts may occur.
- Cook food thoroughly to help protect against foodborne illness. Minimum safe food temperature recommendations can be found at [IsItDoneYet.gov](http://IsItDoneYet.gov) and [fsis.usda.gov](http://fsis.usda.gov). Use a food thermometer to take food temperatures and check several locations.

### **▲WARNING** KEEP FLAMMABLE MATERIALS AWAY FROM THE RANGE

Failure to do so may result in fire or personal injury.

- Do not store or use flammable materials in an oven or near the cooktop, including paper, plastic, pot holders, linens, wall coverings, curtains, drapes and gasoline or other flammable vapors and liquids.
- Never wear loose-fitting or hanging garments while using the appliance. These garments may ignite if they contact hot surfaces causing severe burns.
- Do not let cooking grease or other flammable materials accumulate in or near the range. Grease in the oven or on the cooktop may ignite.
- Clean ventilating hoods frequently. Grease should not be allowed to accumulate on the hood or filter.

### **▲WARNING** IN THE EVENT OF A FIRE, TAKE THE FOLLOWING STEPS TO PREVENT INJURY AND FIRE SPREADING

- Do not use water on grease fires. Never pick up a flaming pan. Turn the controls off. Smother a flaming pan on a surface unit by covering the pan completely with a well-fitting lid, cookie sheet or flat tray. Use a multi-purpose dry chemical or foam-type fire extinguisher.
- If there is a fire in the oven during baking, smother the fire by closing the oven door and turning the oven off or by using a multi-purpose dry chemical or foam-type fire extinguisher.
- If there is a fire in the oven during self-clean, turn the oven off and wait for the fire to go out. Do not force the door open. Introduction of fresh air at self-clean temperatures may lead to a burst of flame from the oven. Failure to follow this instruction may result in severe burns.

## READ AND SAVE THESE INSTRUCTIONS

# IMPORTANT SAFETY INFORMATION

## READ ALL INSTRUCTIONS BEFORE USING THE APPLIANCE

### **▲WARNING** COOKTOP SAFETY INSTRUCTIONS

- Never leave the surface units unattended with the cooktop ON above a Lo setting. Boilovers cause smoking and greasy spillovers that may catch on fire.
- Always be present at the range when cooking with oil or grease. Surface cooking is an "attended" activity.
- Never leave oil unattended while frying. If allowed to heat beyond its smoking point, oil may ignite resulting in fire that may spread to surrounding cabinets. Use a deep fat thermometer whenever possible to monitor oil temperature.
- To avoid oil spillover and fire, use a minimum amount of oil when shallow pan-frying and avoid cooking frozen foods with excessive amounts of ice.
- Use proper pan size—select cookware having flat bottoms large enough to cover the surface heating element. The use of undersized cookware will expose a portion of the surface unit to direct contact and may result in ignition of clothing. Proper relationship of cookware to surface unit will also improve efficiency.
- Only certain types of glass, glass/ceramic, earthenware or other glazed containers are suitable for cooktop service; others may break because of the sudden change in temperature.
- To minimize the possibility of burns, ignition of flammable materials and spillage, the handle of a container should be turned toward the center of the range without extending over nearby surface units.
- When preparing flaming foods under a hood, turn the fan on.
- If power is lost to an electric cooktop while a surface unit is ON, the surface unit will turn back on as soon as power is restored. In the event of power loss, failure to turn all surface unit knobs to the OFF position may result in ignition of items on or near the cooktop, leading to serious injury or death.

### **▲WARNING** COIL COOKTOP SAFETY INSTRUCTIONS

- Do not immerse or soak the removable surface units. Do not put them in a dishwasher. Do not self-clean the surface units in an oven. Doing so may cause them to fail presenting a burn or fire hazard.
- Do not use a surface unit (heating element) if it develops a glowing spot during use or shows other signs of damage. A glowing spot indicates the surface unit may fail and present a potential burn, fire, or shock hazard. Turn the surface unit off immediately and have it replaced by a qualified service technician.
- To avoid the possibility of a burn or electric shock, always be certain that the controls for all surface units are at the OFF position and all coils are cool before attempting to lift or remove a coil surface unit.
- Do not use aluminum foil to line drip pans. Foil can trap heat or melt, resulting in damage to the product and a shock or fire hazard.
- Be sure the drip pans are not covered and are in place. Their absence during cooking could damage range parts and wiring.

## READ AND SAVE THESE INSTRUCTIONS

# IMPORTANT SAFETY INFORMATION

## READ ALL INSTRUCTIONS BEFORE USING THE APPLIANCE

### **▲WARNING** OVEN SAFETY INSTRUCTIONS

- Stand away from the range when opening the oven door. Hot air or steam which escapes can cause burns to hands, face and/or eyes.
- Do not use the oven if a heating element develops a glowing spot during use or shows other signs of damage. A glowing spot indicates the heating element may fail and present a potential burn, fire, or shock hazard. Turn the oven off immediately and have the heating element replaced by a qualified service technician.
- Keep the oven vent unobstructed.
- Keep the oven free from grease buildup. Grease in the oven may ignite.
- Place oven racks in desired location while oven is cool. If rack must be moved while oven is hot, do not let pot holder contact hot heating element in oven.
- When using cooking or roasting bags in the oven, follow the manufacturer's directions.
- Pull the oven rack to the stop-lock position when loading and unloading food from the oven. This helps prevent burns from touching hot surfaces of the door and oven walls.
- Do not leave items such as paper, cooking utensils or food in the oven when not in use. Items stored in an oven can ignite.
- Never place cooking utensils, pizza or baking stones, or any type of foil or liner on the oven floor. These items can trap heat or melt, resulting in damage to the product and risk of shock, smoke or fire.

**READ AND SAVE THESE INSTRUCTIONS**

# IMPORTANT SAFETY INFORMATION

## READ ALL INSTRUCTIONS BEFORE USING THE APPLIANCE

### **▲WARNING** SELF-CLEANING OVEN SAFETY INSTRUCTIONS (on some models)

The self-cleaning feature operates the oven at temperatures high enough to burn away food soils in the oven. Follow these instructions for safe operation.

- Do not touch oven surfaces during self-clean operation. Keep children away from the oven during self-cleaning. Failure to follow these instructions may cause burns.
- Before operating the self-clean cycle, remove pans, shiny metal oven racks and other utensils from the oven. Only gray porcelain-coated oven racks may be left in the oven. Do not use self-clean to clean other parts, such as drip pans or bowls.
- Before operating the self-clean cycle, wipe grease and food soils from the oven. Excessive amount of grease may ignite leading to smoke damage to your home.
- If the self-cleaning mode malfunctions, turn the oven off and disconnect the power supply. Have it serviced by a qualified technician.
- Do not clean the door gasket. The door gasket is essential for a good seal. Care should be taken not to rub, damage or move the gasket.
- Do not use oven cleaners. No commercial oven cleaner or oven liner protective coating of any kind should be used in or around any part of the oven.

### How to Remove Protective Shipping Film and Packaging Tape

Carefully grasp a corner of the protective shipping film with your fingers and slowly peel it from the appliance surface. Do not use any sharp items to remove the film. Remove all of the film before using the appliance for the first time.

To assure no damage is done to the finish of the product, the safest way to remove the adhesive from packaging tape on new appliances is an application of a household liquid dishwashing detergent. Apply with a soft cloth and allow to soak.

**NOTE:** The adhesive must be removed from all parts. It cannot be removed if it is baked on.

## READ AND SAVE THESE INSTRUCTIONS

# Surface Units

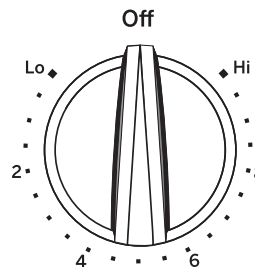
**▲ WARNING FIRE HAZARD:** Never leave the range unattended with the cooktop ON above a Lo setting. Keep flammable items away from the cooktop. Turn off all controls when done cooking. Failure to follow these instructions can result in fire, serious injury or death.

Throughout this manual, features and appearance may vary from your model.

## How to Set

Push the knob in and turn in either direction to the setting you want.

A surface ON indicator light will glow when any surface unit is on.



At both **OFF** and **HI** the control clicks into position. You may hear slight clicking sounds during cooking, indicating the control is maintaining your desired setting.

Be sure you turn the control knob to **OFF** when you finish cooking.

## Coil Cooktops

Each coil surface unit uses "SENSI-TEMP TECHNOLOGY" to reduce the risk of cooktop oil and grease fires. This feature is located in the center of each surface unit. Power to the surface unit is temporarily interrupted when a pot or pan exceeds expected cooking

temperatures. Even after the surface units are turned off, the surface unit retains enough heat to continue cooking. To avoid overcooking, remove pans from the surface units when the food is cooked. Avoid placing anything on the surface unit until it has cooled completely.

## Cookware for Coil Cooktops

The following information will help you choose cookware which will give good performance on coil cooktops.

**NOTE:** Follow all cookware manufacturer's recommendations when using any type of cookware on the coil cooktop.

### Recommended

#### **Stainless Steel**

Thin unclad stainless steel will give poor performance.

#### **Aluminum**

Heavy weight recommended.

Good conductivity. Because of its low melting point, thin weight aluminum should not be used.

#### **Copper Bottom**

#### **Enamel (painted) on Cast Iron**

#### **Cast Iron**

### Avoid/Not Recommended

#### **Enamel (painted) on Steel**

#### **Glass-ceramic**

Poor performance.

#### **Stoneware**

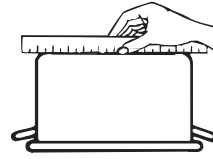
Poor performance.



# Surface Units (Cont.)

## More about Cookware

- Place only dry pans on the surface elements. Do not place lids on the surface elements, particularly wet lids. Wet pans and lids may stick to smooth surface when cool.
- Do not use woks that have support rings. This type of wok will not heat on the cooktop.
- We recommend that you use only a flat-bottomed wok. They are available at your local retail store. The bottom of the wok should have the same diameter as the surface element to ensure proper contact.
- Some special cooking procedures require specific cookware such as pressure cookers or deep-fat fryers. All cookware must have flat bottoms and be the correct size.



Check pans for flat bottoms by using a straight edge. You should not be able to pass a US nickel coin under the straight edge.



Do not use woks with support rings on the cooktop.



Use flat-bottomed woks on the cooktop.

Pans with rounded, curved, ridged or warped bottoms are not recommended.

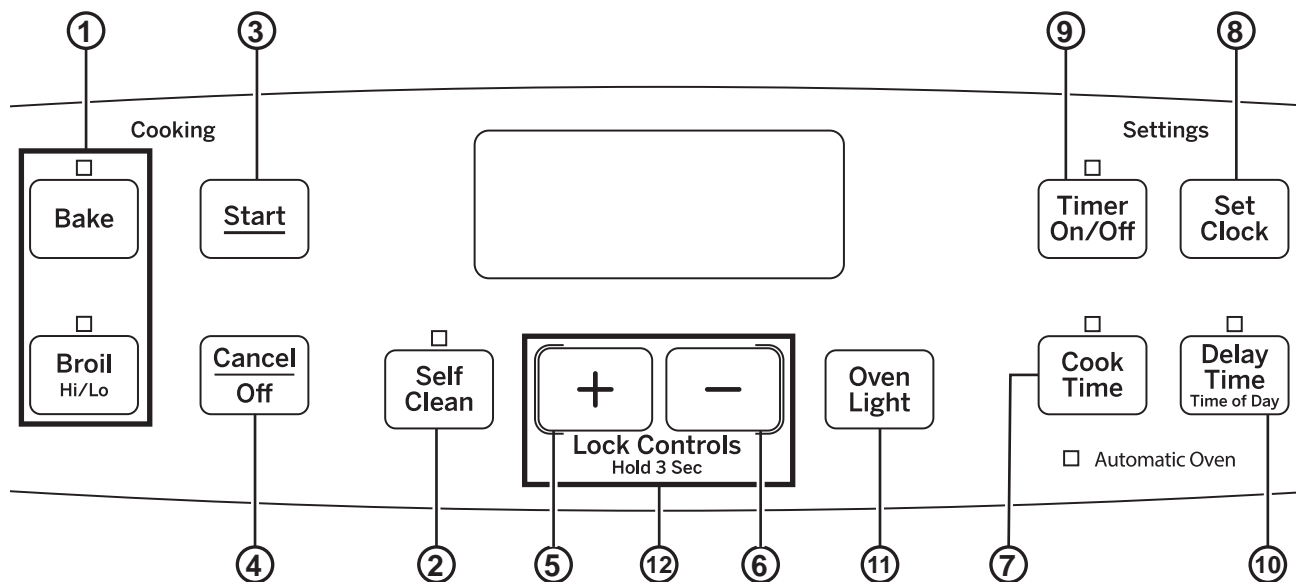
## Home Canning Tips

- Be sure the canner is centered over the surface unit.
- Make sure the canner is flat on the bottom.
- To prevent burns from steam or heat, use caution when canning.

Use recipes and procedures from reputable sources. These are available from manufacturers such as Ball® and Kerr® and the Department of Agriculture Extension Service.

Flat-bottomed canners are recommended. Use of water bath canners with rippled bottoms may extend the time required to bring the water to a boil.

# Oven Controls



- 1. Traditional Cooking Modes:** Your oven has the following traditional cooking modes: Bake and Broil Hi/Lo. See the Cooking Modes section for more information.
- 2. Self Clean:** See the Cleaning the Oven section for important information about using this mode.
- 3. Start:** Must be pressed to start any cooking, cleaning, or timed function.
- 4. Cancel/Off:** Cancels ALL oven operations except the clock and timer.
- 5. + Pad:** Short taps to this pad will increase the time or temperature by small amounts. Touch and hold the pad to increase the time or temperature by larger amounts.
- 6. - Pad:** Short taps to this pad will decrease the time or temperature by small amounts. Touch and hold the pad to decrease the time or temperature by larger amounts.
- 7. Cook Time:** Counts down cooking time and turns off the oven when the cooking time is complete. Press the **Cook Time** pad, use the +/- pads to program a cooking time in hours and minutes, then press **Start**. This can only be used with Bake and Self-Clean.
- 8. Clock:** Sets the oven clock time. Press the **Set Clock** pad and the +/- pads to program the clock. Press **Start** to save the time.
- 9. Timer:** Works as a countdown timer. Press the **Timer** pad and the +/- pads to program the time in hours and minutes. Press the **Start** pad. The timer countdown is complete. To turn the timer off press the **Timer** pad.
- 10. Delay Time:** Delays when the oven will turn on. Use this to set a time when you want the oven to start. Press the **Delay Time** pad and use the +/- pads to program the time of day for the oven to turn on then press **Start**. Press the desired cooking mode and temperature then press **Start**. A cook time may also be programmed if desired. Follow the directions under Cook Time for setting this feature. This can only be used with Bake and Self-Clean.  
**NOTE:** When using the delay time feature, foods that spoil easily—such as milk, eggs, fish, stuffings, poultry and pork—should not be allowed to sit for more than 1 hour before or after cooking. Room temperature promotes the growth of harmful bacteria. Be sure that the oven light is off because heat from the bulb will speed harmful bacteria growth.
- 11. Oven Light:** Turns the oven light on or off.
- 12. Lock Controls:** Locks out the control so that pressing the pads does not activate the controls. Press and hold the +/- pads for three seconds to lock or unlock the control. **Cancel/Off** is always active, even when the control is locked.

## Special Features

There are several different special features on your range. To change the settings of these special features:

- Press the **Bake** and **Broil** pads at the same time and hold for three seconds.
- “SF” will appear in the display.
- Select the feature you want to change.
- When the change has been made, press the **Start** key to save the change and return to the time of day.

### Adjust the Oven Temperature

This feature allows the oven baking temperature to be adjusted up to 35°F hotter or down to 35°F cooler. Use this feature if you believe your oven temperature is too hot or too cold and wish to change it. This adjustment affects Bake mode. No other cooking modes are affected.

Press the **Bake** pad to enter the temperature adjustment mode. A number between 35 and - 35 will display. Use the +/- pads to set the desired temperature adjustment and use the **Bake** pad to change between negative and positive. Press the **Start** pad to save the temperature adjustment.

### 12-hour auto shut-off and Sabbath

Options for this feature are “12 SHdn”, “no SHdn” and “SAb”.

12-hour auto shut-off turns off the oven after 12 hours of continuous operations.

Sabbath mode disables the oven lights (the oven light will not turn on when the door is opened), all sounds (the control will not beep when a button is pressed), Broil, Cook Time, Timer, Clock, and Delay Time functions. Sabbath mode can only be used with Bake.

Press the **Set Clock** pad to view the current setting and then to change the setting.

To use Sabbath mode, select “SAb” and press **Start**. A ] will appear in the display and the clock will not display.

Once in Sabbath mode, at any time you can press **Bake** to start the oven. Note that when programming a bake in Sabbath mode, the preset starting temperature will automatically be set to 350°F. Press the + or - pads to increase or decrease the temperature in 25°F increments for temperatures between 170°F and 550°F and then press **Start**.

No sound will be given when the keys are pressed. At a random time between 30 seconds and 1 minute, ]], will appear in the display indicating the oven is running.

If you need to adjust the temperature while baking, press **Bake** again. Press the + or - pads to increase or decrease the temperature in 25°F from the previous temperature you set to the new baking temperature and then press **Start**.

To turn the oven off, press **Cancel/Off** at any time. **The oven will immediately turn off** and ]] will change to ] indicating that the oven has turned off.

To exit Sabbath mode, make sure that the oven is turned off. Press and hold the **Bake** and **Broil** pads for 3 seconds to enter special features then press **Delay Time** until either “12 Shdn” or “no Shdn” is in the display and press **Start**.

**NOTE:** If power outage occurs, the Sabbath mode will not resume when power is restored.

If you wish to use the Cook Time feature to bake in the oven and then have the oven automatically turn off, you will need to press the **Cook Time** pad, enter a cooking time duration, and press **Start**. Then enter special features to start Sabbath mode as detailed above.

## Oven Racks

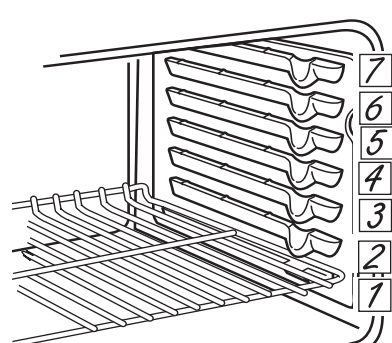
Recommended rack positions for various types of foods are provided in the Cooking Guide. Adjusting rack position is one way to impact cooking results. For example, if you would prefer darker tops on cakes, muffins, or cookies, try moving food one rack position higher. If you find foods are too brown on top try moving them down next time.

When baking with multiple pans and on multiple racks, ensure there is at least 1½" between pans to allow sufficient space for air to flow.

To avoid possible burns, place the racks in the desired position before you turn the oven on.

If your racks are difficult to slide, put some vegetable oil on a soft cloth or paper towel and rub onto the sides of the rack.

**Note:** Using other cooking oils will cause a discoloring or a rust like color residue on the racks and cavity sides. To clean this residue, use a soap and water or a vinegar and water solution. Rinse with clean water and dry with a soft cloth.



The number of rack positions may vary by model.

## Aluminum Foil and Oven Liners

**CAUTION** Do not use any type of foil or oven liner to cover the oven bottom. These items can trap heat or melt, resulting in damage to the product and risk of shock, smoke or fire. Damage from improper use of these items is not covered by the product warranty.

Foil may be used to catch spills by placing a sheet on a lower rack, several inches below the food. Do not use more foil than necessary and never entirely cover an oven rack with aluminum foil. Keep foil at least 1-1/2" from oven walls to prevent poor heat circulation.

## Cookware

### Cookware Guidelines

The material, finish, and size of cookware affect baking performance.

Dark, coated and dull pans absorb heat more readily than light, shiny pans. Pans that absorb heat more readily can result in a browner, crisper, and thicker crust. If using dark and coated cookware check food earlier than minimum cook time. If undesirable results are obtained with this type of cookware consider reducing oven temperature by 25° F next time.

Shiny pans can produce more evenly cooked baked goods such as cakes and cookies.

Glass and ceramic pans heat slowly but retain heat well. These types of pans work well for dishes such as pies and custards.

Air insulated pans heat slowly and can reduce bottom browning.

Keep cookware clean to promote even heating.

# Cooking Modes

---

Your new oven has a variety of cooking modes to help you get the best results. These modes are described below. Refer to the Cooking Guide section for recommendations for specific foods. Remember, your new oven may perform differently than the oven it is replacing.

## Baking Modes

When preparing baked goods such as cakes, cookies, and pastries always preheat the oven first. Follow recipe recommendations for food placement. If no guidelines are provided, center food in the oven.

### Traditional Bake

The traditional bake mode is intended for single rack cooking. This mode uses heat primarily from the lower element but also from the upper element to cook food. To use this mode press the **Bake** pad, use the +/- pads to set the desired temperature, and then press **Start**. Preheating is generally recommended when using this mode.

## Broiling Modes

Always broil with the door open. Monitor food closely while broiling. Use caution when broiling on upper rack positions as placing food closer to the broil element increases smoking, spattering, and the possibility of fats igniting. For best performance center food below the broil heating element. **Broiling on rack position 7 is not recommended.**

Try broiling foods that you would normally grill. Adjust rack positions to adjust the intensity of the heat to the food. Place foods closer to the broil element when a seared surface and rare interior is desired. Thicker foods and foods that need to be cooked through should be broiled on a rack position farther from the broiler or by using Broil Lo.

### Broil Hi

The Traditional Broil Hi mode uses intense heat from the upper element to sear foods. Use Broil Hi for thinner cuts of meat and/or foods you prefer less done on the interior. To use this mode press the **Broil** pad once and then press **Start**. It is not necessary to preheat when using this mode.

### Broil Lo

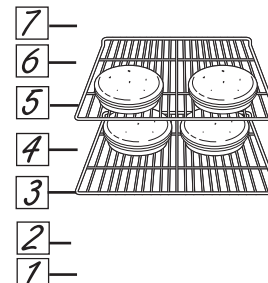
The Traditional Broil Lo mode uses less intense heat from the upper element to cook food thoroughly while also producing surface browning. Use Broil Lo for thicker cuts of meat and/or foods that you would like cooked all the way through. To use this mode press the **Broil** pad **twice** and then press **Start**. It is not necessary to preheat when using this mode.

# Cooking Guide

FOOD TYPE	RECOMMENDED MODE(S)	RECOMMENDED RACK POSITION(S)	ADDITIONAL SUGGESTIONS
<b>Baked Goods</b>			
Layer Cakes, sheet cakes, bundt cakes, muffins, quick breads on a Single Rack	Bake	4	Use shiny cookware.
Layer cakes* on Multiple Racks	Bake	3 and 5	Ensure adequate airflow (see illustration below).
Chiffon cakes (angel food)	Bake	1	Use shiny cookware.
Cookies, biscuits, scones on a Single Rack	Bake	4	Use shiny cookware.
Cookies, biscuits, scones on Multiple Racks	Bake	3 and 5	Ensure adequate airflow.
<b>Beef &amp; Pork</b>			
Hamburgers	Broil Hi	6	Use a broil pan; move food down for more doneness/less searing. Watch food closely when broiling. For best performance center food below the broil heating element.
Steaks & Chops	Broil Hi	6	Use a broil pan; move food down for more doneness/less searing. Watch food closely when broiling. For best performance center food below the broil heating element.
Roasts	Bake	3 or 4	Use a low sided pan such as a broil pan. Preheating is not necessary.
<b>Poultry</b>			
Whole chicken	Bake	3 or 4	Use a low sided pan such as a broil pan.
Bone-in chicken breasts, legs, thighs	Broil Hi	2	If breaded or coated in sauce avoid Broil Hi modes. Broil skin side down first. Watch food closely when broiling. For best performance when broiling, center food below the broil heating element.
	Broil Lo Bake	2 or 3	
Boneless chicken breasts	Broil Lo Bake	2 or 3	If breaded or coated in sauce avoid Broil Hi modes. Broil skin side down first. Watch food closely when broiling. For best performance when broiling, center food below the broil heating element
Whole turkey	Bake	2 or 3	Use a low sided pan such as a broil pan.
Turkey Breast	Bake	2 or 3	Use a low sided pan such as a broil pan.
<b>Fish</b>	Broil Lo	6 (1/2 thick or less) 5 (>1/2 inch)	Watch food closely when broiling. For best performance center food below the broil heating element.
<b>Casseroles</b>	Bake	4	
<b>Frozen Convenience Foods</b>			
Pizza, french fries, tator tots, chicken nuggets, appetizers on a Single Rack	Bake	4	Use shiny cookware.
Pizza, french fries, tator tots, chicken nuggets, appetizers on Multiple Racks	Bake	3 and 5	Use shiny cookware.

\*When baking four cake layers at a time, use racks 3 and 5. Place the pans as shown so that one pan is not directly above another.

Cook food thoroughly to help protect against food borne illness. Minimum safe food temperature recommendations for food safety can be found at [IsItDoneYet.gov](http://IsItDoneYet.gov). Make sure to use a food thermometer to take food temperatures.



Rack position for baking 4 layer cakes.



# Cleaning the Range – Exterior

Be sure all controls are off and all surfaces are cool before cleaning any part of the range.



**⚠ WARNING**

If your range is removed for cleaning, servicing or any reason, be sure the anti-tip device is reengaged properly when the range is replaced. Failure to take this precaution could result in tipping of the range and can result in death or serious burns to children or adults.

## Control Knobs

The control knobs may be removed for easier cleaning. Make sure the knobs are in the **OFF** positions and pull them straight off the stems for cleaning.

Replace the knobs, in the **OFF** position to ensure proper placement.

The knobs can be cleaned in a dishwasher or they may also be washed with soap and water. Make sure the inside of the knobs are dry before replacing.

## Control Panel

It's a good idea to wipe the control panel after each use. Clean with mild soap and water or vinegar and water, rinse with clean water and polish dry with a soft cloth.

Do not use abrasive cleansers, strong liquid cleansers, plastic scouring pads or oven cleaners on the control panel—they will damage the finish.

## Oven Exterior

Do not use oven cleaners, abrasive cleansers, strong liquid cleansers, steel wool, plastic scouring pads, or cleaning powders on the interior or exterior of the oven. Clean with a mild soap and water or vinegar and water solution. Rinse with clean water and dry with a soft cloth. When cleaning surfaces, make sure that they are at room temperature and not in direct sunlight.

If stain on the door vent trim is persistent, use a mild abrasive cleaner and a sponge-scrubber for best results.

Spillage of marinades, fruit juices, tomato sauces and basting liquids containing acids may cause discoloration and should be wiped up immediately. Let hot surfaces cool, then clean and rinse.

## Painted Surfaces

Painted surfaces include the sides of the range and the door, top of control panel and the drawer front. Clean these with soap and water or a vinegar and water solution.

Do not use commercial oven cleaners, cleaning powders, steel wool or harsh abrasives on any painted surface.

## Stainless Steel Surfaces (on some models)

Do not use a steel wool pad; it will scratch the surface.

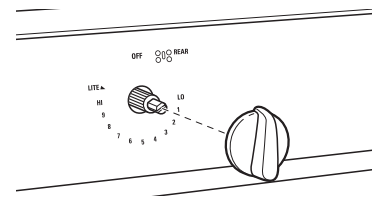
To clean the stainless steel surface, use warm sudsy water or a stainless steel cleaner or polish. Always wipe the surface in the direction of the grain. Follow the cleaner instructions for cleaning the stainless steel surface.

Cleaners with oxalic acid such as Bar Keepers Friend Soft Cleanser™ will remove surface rust, tarnish and small blemishes. Use only a liquid cleanser free of grit and rub in the direction of the brush lines with a damp, soft sponge.

To inquire about purchasing cleaning products including stainless steel appliance cleaner or polish, read the Assistance/Accessories sections at the beginning of this manual.

For easier cleaning, the control knobs may be removed by pulling them directly outwards once the knobs are in the OFF position. Do not pull knobs up or down or hang objects on them. This can damage the gas valve shaft. The knobs can be washed by hand with soap and water or in a dishwasher.

To replace knobs after cleaning, align the hole on the knob backside with the gas valve shaft and push inward until the knob is securely fastened. All knobs are interchangeable



Surface burner knob

## Cleaning the Range – Exterior (Cont.)

### Porcelain Enamel Cooktop

The porcelain enamel finish is sturdy but breakable if misused. This finish is acid-resistant. However, any acidic foods spilled (such as fruit juices, tomato or vinegar) should not be permitted to remain on the finish.

If acids spill on the cooktop while it is hot, use a dry paper towel or cloth to wipe it up right away. When the surface has cooled, wash with soap and water. Rinse well.

For other spills such as fat splatterings, wash with soap and water or cleansing powders after the surface has cooled. Rinse well. Polish with a dry cloth.

### Surface Units

#### ▲ WARNING

- Be sure the controls are turned to OFF and the surface units are cool before attempting to remove them.
- Do not immerse the surface units in liquids of any kind.
- Do not clean the surface units in a dishwasher.
- Do not bend the surface unit plug terminals.
- Do not attempt to clean, adjust or in any way repair the plug-in receptacle.
- Do not pull on the SENSI-TEMP TECHNOLOGY sensor cap.

To clean the surface units, turn the control to the highest setting for a minute. The coils will burn off any soil. To clean the Sensi-Temp Technology Sensor cap, wipe with a damp sponge or cloth. For cooked-on food spills, remove the burner from the range and gently scrub the cap and supports with a damp plastic scouring pad. Do not use steel wool. Allow the burner to dry over night before re-installing it.

#### To remove a surface unit:

To remove the drip pans for cleaning, the surface units must be removed first.

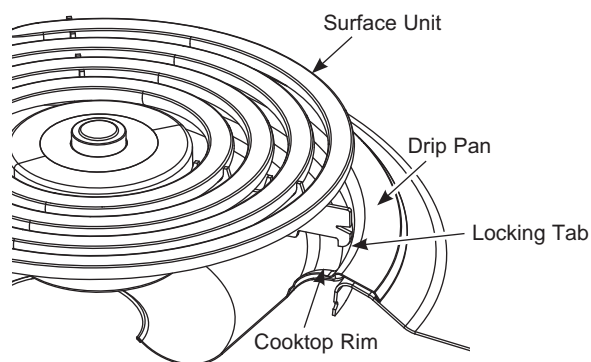
1. Push the surface unit back toward the receptacle.
2. Lift the surface unit about 1 inch above the drip pan and pull it out.

Do not lift the surface unit more than 1 inch. If you do, it may not lie flat on the drip pan when you plug it back in.

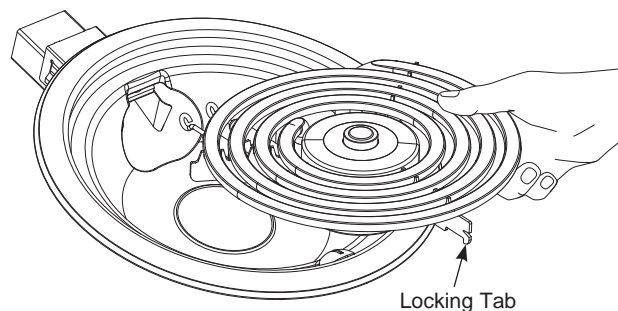
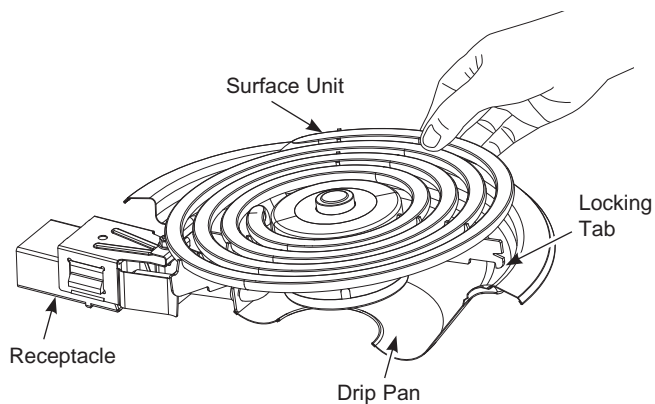
**NOTE:** Repeated lifting of the surface unit more than 1 inch above the drip pan can permanently damage the receptacle.

#### To replace a surface unit:

1. Replace the drip pan into the recess in the cooktop. Make sure the opening in the pan lines up with the receptacle.
2. Insert the terminals of the surface unit through the opening in the drip pan and into the receptacle.
3. Push the surface unit in and down so it rests evenly in the cooktop.



When properly seated, the locking tab should lock onto the cooktop rim through the notch in the drip pan.





## Cleaning the Range – Exterior (Cont.)

### Drip Pans

Remove the surface units. Then lift out the drip pans. For best results, clean the drip pans by hand. Place them in a covered container (or a plastic bag) with ¼ cup ammonia to loosen the soil. Rinse with clean water and polish with a clean soft cloth.

The drip pans may also be cleaned in a dishwasher. Clean the area under the drip pans often. Built-up soil, especially grease, may catch fire.

Do not cover the drip pans with foil. Using foil so close to the receptacle could cause shock, fire or damage to the range.

**NOTE:** If your cooktop is equipped with shiny, silver-colored drip pans, do not clean them in the self-cleaning oven. Permanent damage to the finish can occur.

If your cooktop is equipped with black or gray porcelain-coated drip pans, they can be cleaned in the oven during the self-cleaning cycle. Before you begin a self-cleaning cycle, remove any heavy soil from the drip pans and place them on the porcelain-coated oven racks. Do not place the drip pans directly on the oven bottom. After the self-cleaning cycle is completed and the drip pans are cool, wipe them with a damp cloth to remove any remaining ash or residue.

### Lift-Up Cooktop

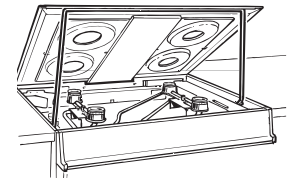
The entire cooktop may be lifted up and supported in the up position for easier cleaning.

The surface units do not need to be removed; however, you may remove one to make raising the cooktop easier. There are two side supports that lock into position when the cooktop is lifted up.

After cleaning under the cooktop with hot, mild soapy

water and a clean cloth, lower the cooktop. Be careful not to pinch your fingers.

To lower the cooktop, push the rods back and gently lower the cooktop until it rests in place.



Be sure all surface units are turned off before raising the Cooktop.

### Control Lockout

If desired, the touch pads may be deactivated before cleaning.

See Lock Controls in the Oven Controls section.

Clean up splatters with a damp cloth.

You may also use a glass cleaner.

Remove heavier soil with warm, soapy water. Do not use abrasives of any kind.

Reactivate the touch pads after cleaning.

## Cleaning The Oven - Interior

The interior of your new oven can be cleaned manually or by using Self Clean.

Spillage of marinades, fruit juices, tomato sauces and basting liquids containing acids may cause discoloration and should be wiped up immediately. Let hot surfaces cool, then clean and rinse.

### Manual Cleaning

Do not use oven cleaners, abrasive cleaners, strong liquid cleansers, steel wool, scouring pads, or cleaning powders on the interior of the oven. Clean with a mild

soap and water or vinegar and water solution. Rinse with clean water and dry with a soft cloth. When cleaning surfaces, make sure that they are at room temperature.

### Self Clean Mode (on some models)

Read Self-Cleaning Oven Safety Instructions at the beginning of this manual before using Self Clean Mode. Self clean uses very high temperatures to clean the oven interior. You will need to lock the oven door when using this feature. Before operating the self-clean cycle, wipe up grease and soils from the oven. Remove all items from the oven other than enameled (dark color) racks. Shiny or silver racks and any cookware or other items should all be removed from the oven before initiating a self-clean cycle. Close the door. Latch the door.

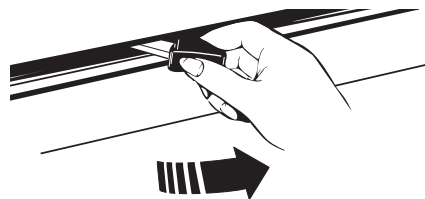
**NOTE:** Never force the latch. If the oven is too hot, you will not be able to slide the latch. Allow the oven to cool. If your range has a knob turn knob to self clean position or if your range has an oven control press the **Self Clean** pad and a default self-clean time is displayed. The clean time can be changed to any time between 3:00 and 5:00 hours by using the +/- pads to enter a different time and pressing **Start**. For heavily soiled ovens, the maximum 5 hour clean time is recommended. If you wish to use the default time, press the **Start** pad immediately after pressing the **Self Clean** pad. The oven will turn off automatically when the self-clean cycle is complete and the self-clean light will be off. Slide the latch handle to the left as far as it will go and open the door. Never force the latch handle. Forcing the handle will damage the door lock mechanism. After the oven has cooled down wipe any ash out of the oven.

We recommend venting your kitchen with an open window or using a ventilation fan or hood during the first self-clean cycle.

### Racks

All racks can be washed with warm, soapy water.

Racks may be more difficult to slide, especially after a self-clean. Put some vegetable oil on a soft cloth or paper towel and rub onto the left and right edges.



Soil on the front frame of the range and outside the gasket on the door will need to be cleaned by hand. Clean these areas with hot water, soap-filled steel-wool pads or cleansers such as Soft Scrub®. Rinse well with clean water and dry.

Do not clean the gasket. The fiberglass material of the oven door gasket cannot withstand abrasion. It is essential for the gasket to remain intact. If you notice it becoming worn or frayed, replace it.

Make sure the oven light bulb cover is in place and the oven light is off.

**IMPORTANT:** The health of some birds is extremely sensitive to the fumes given off during the self-cleaning cycle of any range. Move birds to another well-ventilated room.

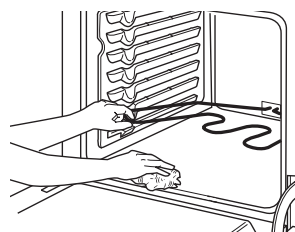
### To Stop a Self-Clean Cycle

Press **Cancel/Off** and wait for self clean light to go off. Wait until the oven has cooled below the locking temperature to unlatch the door. You will not be able to open the door right away unless the oven has cooled below the locking temperature.

### Oven Heating Elements

Do not clean the bake element or the broil element. Any soil will burn off when the elements are heated.

To clean the oven floor, gently lift the bake element. Clean the oven floor with warm, soapy water.



Gently lift the bake element

**NOTE:** Using other cooking oils will cause a discoloring or a rust like color residue on the racks and cavity sides. To clean this residue, use a soap and water or a vinegar and water solution. Rinse with clean water and dry with a soft cloth.

# Oven Light

**⚠ WARNING** **SHOCK OR BURN HAZARD:** Before replacing oven light bulb, disconnect the electrical power to the range at the main fuse or circuit breaker panel. Failure to do so may result in electric shock or burn.

**⚠ CAUTION** **BURN HAZARD:** The glass cover and bulb should be removed when cool. Touching hot glass with bare hands or a damp cloth can cause burns.

## Oven Light Replacement (on some models)

### To remove:

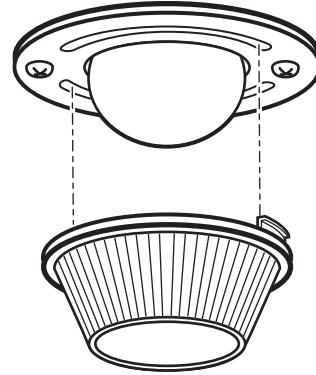
1. Turn the glass cover counterclockwise 1/4 turn until the tabs of the glass cover clear the grooves of the socket. Wearing latex gloves may offer a better grip.
2. Remove the bulb by turning it counter-clockwise.

### To replace:

1. Replace bulb with a new 40-watt appliance bulb. Insert the bulb and turn it clockwise until it is tight.
2. Place the tabs of the glass cover into the grooves of the socket. Turn the glass cover clockwise 1/4 turn.

For improved lighting inside the oven, clean the glass cover frequently using a wet cloth. This should be done when the oven is completely cool.

3. Reconnect electrical power to the oven.



Glass cover on Self Clean models only.

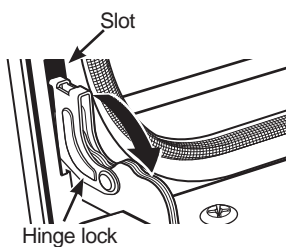
## Oven Door

The door is very heavy. Be careful when removing and lifting the door.

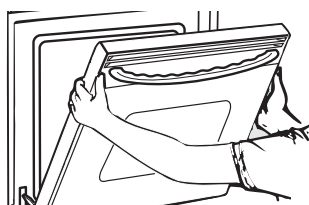
Do not lift the door by the handle.

### To remove the door:

1. Fully open the door.
2. Pull the hinge locks down toward the door frame, to the unlocked position. A tool, such as a small flat-blade screwdriver, may be required.
3. Firmly grasp both sides of the door at the top.
4. Close door to the door removal position. The door should be open approximately 3" with no obstruction above the door.
5. Lift door up and out until both hinge arms are clear of the slots.



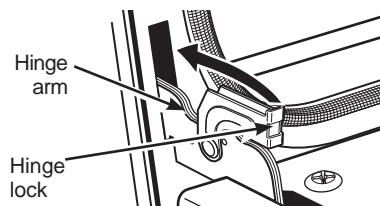
Pull hinge locks down to unlock



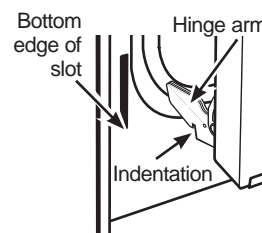
Removal position

### To replace the door:

1. Firmly grasp both sides of the door at the top.
2. Starting on the left side, with the door at the same angle as the removal position, seat the indentation of the hinge arm into the bottom edge of the hinge slot. The notch in the hinge arm must be fully seated into the bottom of the slot. Repeat for right side.
3. Fully open the door. If the door will not fully open, the indentation is not seated correctly in the bottom edge of the slot.
4. Push the hinge locks up against the front frame of the oven cavity, to the locked position.
5. Close the oven door.



Push hinge locks up to lock



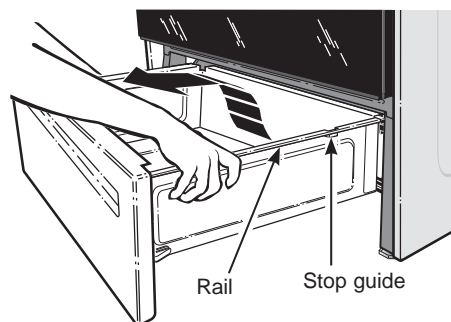
## Storage Drawer (on some models)

### To remove the drawer:

1. Pull the drawer out until it stops.
2. Lift the front of the drawer until the stops clear the guides.
3. Remove the drawer.

### To replace the drawer:

1. Place the drawer rails on the guides.
2. Push the drawer back until it stops.
3. Lift the front of the drawer and push back until the stops clear the guides.
4. Lower the front of the drawer and push back until it closes.



# Notes

---

# Notes

---

# Troubleshooting Tips ... Before you call for service

Save time and money! Review the charts on the following pages first and you may not need to call for service.

Problem	Possible Cause	What To Do
Surface units will not maintain a rolling boil or cooking is not fast enough	Improper cookware being used.	Use pans which are flat and match the diameter of the surface unit selected.
	In some areas, the power (voltage) may be low.	Cover pan with a lid until desired heat is obtained.
Coil surface units do not work properly	The surface units are not plugged in solidly.	With the controls off, check to make sure the surface unit is plugged completely into the receptacle.
	The surface unit controls improperly set.	Check to see the correct control is set for the surface unit you are using.
	The drip pans are not set securely in the cooktop.	With the controls off, check to make sure the drip pan is in the recess in the cooktop and that the opening in the pan lines up with the receptacle.
	A fuse in your home may be blown or the circuit breaker tripped.	Replace the fuse or reset the circuit breaker.
	Sensi-Temp Technology sensor cap is overly soiled.	Clean Sensi-temp Technology sensor cap per cleaning the range section.
	Sensi-temp sensor cap stuck or will not flex up and down.	Call a qualified technician for replacement. Replace coil surface units with only the exact replacement part.
Frequent cycling off and on of surface units	Improper cookware being used.	Use only flat cookware to minimize cycling.
My new oven doesn't cook like my old one. Is something wrong with the temperature settings?	Your new oven has a different cooking system from your old oven and therefore may cook differently than your old oven.	For the first few uses, follow your recipe times and temperatures carefully. If you still think your new oven is too hot or too cold, you can adjust the temperature yourself to meet your specific cooking preference. <b>NOTE:</b> This adjustment affects Bake temperatures; it will not affect Broil or Clean.
Food does not bake properly	Oven controls improperly set.	See the Cooking Modes section.
	Rack position is incorrect or rack is not level.	See the Cooking Modes section and Cooking Guide.
	Incorrect cookware or cookware of improper size being used.	See the Cookware section.
	Oven temperature needs adjustment.	See the Special Features section.
	Ingredient substitution	Substituting ingredients can change the recipe outcome.
Food does not broil properly	Oven controls improperly set.	Make sure you select the appropriate broil mode.
	Improper rack position being used.	See Cooking Guide for rack location suggestions.
	Food being cooked in a hot pan.	Make sure cookware is cool.
	Cookware not suited for broiling.	Use a pan specifically designed for broiling.
	Aluminum foil used on the broiling pan and grid has not been fitted properly and slit as recommended.	If using aluminum foil conform to pan slits.
	In some areas the power (voltage) may be low.	Preheat the broil element for 10 minutes.
Oven temperature too hot or too cold	Oven temperature needs adjustment.	See the Special Features section or adjust the thermostat (on models with oven temperature knob).
Oven does not work or appears not to work	A fuse in your home may be blown or the circuit breaker tripped.	Replace the fuse or reset the circuit breaker.
	Oven controls improperly set.	See the Using the Oven section.
	Oven is in Sabbath Mode.	Verify, that the oven is not in Sabbath Mode. See the Special Features section.

# Troubleshooting Tips ... Before you call for service

Problem	Possible Cause	What To Do
"Crackling" or "popping" sound	This is the sound of the metal heating and cooling during both the cooking and cleaning functions.	This is normal.
Why is my range making a "clicking" noise when using my oven?	Your range cycles the heating elements by turning relays on and off to maintain the oven temperature.	This is normal.
Clock and timer do not work	A fuse in your home may be blown or the circuit breaker tripped.	Replace the fuse or reset the circuit breaker.
	Plug on range is not completely inserted in the electrical outlet.	Make sure electrical plug is plugged into a live, properly grounded outlet.
	Oven controls improperly set.	See the Using the kitchen timer section.
Storage drawer won't close	Power cord may be obstructing drawer in the lower back of the range.	Reposition the drawer and power cord. See the Storage Drawer Removal instructions in the Care and cleaning of the range section.
	Rear drawer support is on top of the guide rail.	Reposition the drawer. See the Storage Drawer Removal instructions in the Care and cleaning of the range section.
Oven door is crooked	The door is out of position.	Because the oven door is removable, it sometimes gets out of position during installation. To straighten the door, push down on the high corner.
Oven light does not work	Light bulb is loose or defective.	Tighten or replace bulb.
	Pad operating light is broken.	Call for service.
Oven will not self-clean	The temperature is too high to set a self-clean operation.	Allow the oven to cool and reset the controls.
	Oven controls improperly set.	See the Cleaning the Oven section.
Excessive smoking during clean cycle	Excessive soil or grease.	Press the <b>Cancel/Off</b> pad. Open the windows to rid the room of smoke. Wait until the <b>LOCKED</b> light goes off. Wipe up the excess soil and reset the clean cycle.
Excessive smoking during broiling	Food too close to burner element.	Lower the rack position of the food.
Oven door will not open after a clean cycle	Oven too hot.	Allow the oven to cool below locking temperature.
Oven not clean after a clean cycle	Oven controls improperly set.	See the Cleaning the Oven section.
	Oven was heavily soiled.	Clean up heavy spillovers before starting the clean cycle. Heavily soiled ovens may need to self-clean again or for a longer period of time.
"LOCK DOOR" flashes in the display	The self-clean cycle has been selected but the door is not closed.	Close the oven door.
DOOR LOCK light is on when you want to cook	The oven door is locked because the temperature inside the oven has not dropped below the locking temperature.	Press the <b>Cancel/Off</b> pad. Allow the oven to cool.
"F— and a number or letter" flash in the display	You have a function error code.	Press the <b>Cancel/Off</b> pad. Allow the oven to cool for one hour. Put the oven back into operation.
	If the function code repeats.	Disconnect all power to the oven for at least 30 seconds and then reconnect power. If the function error code repeats, call for service.



# Troubleshooting Tips ... Before you call for service

Problem	Possible Cause	What To Do
Display goes blank	A fuse in your home may be blown or the circuit breaker tripped.	Replace the fuse or reset the circuit breaker.
	The clock is turned off.	See the Special features section.
	Oven is in Sabbath Mode.	Verify that the oven is not in Sabbath Mode. See the Special Features section.
Power outage, clock flashes	Power outage or surge	Reset the clock. If the oven was in use, you must reset it by pressing the <b>Cancel/Off</b> pad, setting the clock and resetting any cooking function.
“Burning” or “oily” odor emitting from the vent	This is normal in a new oven and will disappear in time.	To speed the process, set a self-clean cycle for a minimum of 3 hours. See the Cleaning the Oven section.
Strong odor	An odor from the insulation around the inside of the oven is normal for the first few times the oven is used.	This is temporary and will go away after several uses or a self-clean cycle.
My oven door glass appears to be "tinted" or have a "rainbow" color. Is this defective?	No. The inner oven glass is coated with a heat barrier to reflect the heat back into the oven to prevent heat loss and keep the outer door cool while baking.	This is normal. Under certain light or angles, you may see this tint or rainbow color.
Sometimes the oven takes longer to preheat to the same temperature	Cookware or food in oven.	The cookware or food in the oven will cause the oven to take longer to preheat. Remove items to reduce preheat time.
	Number of racks in oven.	Adding more racks to the oven will cause the oven to take longer to preheat. Remove some racks.
Display flashes	Power failure.	Reset the clock.
Unable to get the display to show “SF”	Oven control pads were not touched properly.	The <b>Broil Hi/Lo</b> and <b>Bake</b> pads must be touched at the same time and held for 3 seconds.
Control signals after entering cooking time or start time	You forgot to enter a bake temperature or cleaning time.	Touch the <b>Bake</b> pad and desired temperature or the <b>Self Clean</b> pad and desired clean time.
Oven racks are difficult to slide	The shiny, silver-colored racks were cleaned in a self-clean cycle.	Apply a small amount of vegetable oil to a paper towel and wipe the edges of the oven racks with the paper towel. Do not spray with Pam® or other lubricant sprays.
Drawer does not slide smoothly or drags	The drawer is out of alignment.	Fully extend the drawer and push it all the way in See the Care and cleaning of the range section.
	Drawer is over-loaded or load is unbalanced.	Reduce weight. Redistribute drawer contents.
Steam from the vent	When using the ovens, it is normal to see steam coming out of the oven vents. As the number of racks or amount of food being cooked increases, the amount of visible steam will increase.	This is normal.
Excessive condensation in the drawer	Liquid in drawer.	Remove liquid.
	Uncovered foods.	Cover food with lid or aluminum foil.
	Temperature setting too high.	Reduce temperature setting.

# GE Appliances Electric Range Limited Warranty

## GEAppliances.com

All warranty service is provided by our Factory Service Centers, or an authorized Customer Care® technician. To schedule service online, visit us at [GEAppliances.com/service](http://GEAppliances.com/service), or call GE Appliances at 800.GE.CARES (800.432.2737). Please have your serial number and your model number available when calling for service.

Servicing your appliance may require the use of the onboard data port for diagnostics. This gives a GE Appliances factory service technician the ability to quickly diagnose any issues with your appliance and helps GE Appliances improve its products by providing GE Appliances with information on your appliance. If you do not want your appliance data to be sent to GE Appliances, please advise your technician not to submit the data to GE Appliances at the time of service.

For the period of	GE Appliances will replace
<b>One year</b> From the date of the original purchase	<b>Any part</b> of the range which fails due to a defect in materials or workmanship. During this <b>limited one-year warranty</b> , GE Appliances will provide, <b>free of charge</b> , all labor and in-home service to replace the defective part.

### What GE Appliances will not cover:

- Service trips to your home to teach you how to use the product.
- Improper installation, delivery or maintenance.
- Failure of the product if it is abused, misused, modified or used for other than the intended purpose or used commercially.
- Damage to the glass cooktop caused by use of cleaners other than the recommended cleaning creams and pads.
- Damage to the glass cooktop caused by hardened spills of sugary materials or melted plastic that are not cleaned according to the directions in the Owner's Manual.
- Replacement of house fuses or resetting of circuit breakers.
- Damage to the product caused by accident, fire, floods or acts of God.
- Damage to finish, such as surface rust, tarnish, or small blemishes not reported within 48 hours of delivery.
- Incidental or consequential damage caused by possible defects with this appliance.
- Damage caused after delivery.
- Product not accessible to provide required service.
- Service to repair or replace light bulbs, except for LED lamps.
- Immersing or tampering with the Sensi-Temp Technology coil surface units.

Staple your receipt here. Proof of the original purchase date is needed to obtain service under the warranty.

### EXCLUSION OF IMPLIED WARRANTIES

Your sole and exclusive remedy is product repair as provided in this Limited Warranty. Any implied warranties, including the implied warranties of merchantability or fitness for a particular purpose, are limited to one year or the shortest period allowed by law.

This limited warranty is extended to the original purchaser and any succeeding owner for products purchased for home use within the USA. If the product is located in an area where service by a GE Appliances Authorized Servicer is not available, you may be responsible for a trip charge or you may be required to bring the product to an Authorized GE Appliances Service location for service. In Alaska, the limited warranty excludes the cost of shipping or service calls to your home.

Some states do not allow the exclusion or limitation of incidental or consequential damages. This limited warranty gives you specific legal rights, and you may also have other rights which vary from state to state. To know what your legal rights are, consult your local or state consumer affairs office or your state's Attorney General.

**Warrantor: GE Appliances, a Haier company**

Louisville, KY 40225

**Extended Warranties:** Purchase a GE Appliances extended warranty and learn about special discounts that are available while your warranty is still in effect. You can purchase it online anytime at

[GEAppliances.com/extended-warranty](http://GEAppliances.com/extended-warranty)

or call 800.626.2224 during normal business hours. GE Appliances Service will still be there after your warranty expires.

# Accessories

---

## Looking For Something More?

GE Appliances offers a variety of accessories to improve your cooking and maintenance experiences!

Refer to the Consumer Support page for phone numbers and website information.

The following products and more are available:

### Accessories

---

Small Broiler Pan (8 ¾" x 1 ¼" x 13 ½")

---

Large\* Broiler Pan (12 ¾" x 1 ¼" x 16 ½")

---

XL\*\* Broiler Pan (17" x 1 ¼" x 19 ¼")

### Parts

---

Oven racks

---

Oven burners

---

Light bulbs

### Cleaning Supplies

---

CitruShine™ Stainless Steel Wipes

---

Stainless Steel Appliance Cleaner

---

Non-scratch Cleaning Pads for Ceramic Cooktops

---

Ceramic Cooktop Cleaner

---

Ceramic Cooktop Scraper

---

Kit (Kit includes cream and cooktop scraper)

---

Graphite Lubricant

\*The large broiler pan does not fit in 20"/24" ranges.

\*\*The XL broiler pan does not fit in 24" wall ovens, 27" drop ins or 20"/24" ranges

**NOTE:** Go to GE Appliances website to view recommended cleaners.

# Consumer Support

---

## GE Appliances Website

Have a question or need assistance with your appliance? Try the GE Appliances Website 24 hours a day, any day of the year! You can also shop for more great GE Appliances products and take advantage of all our on-line support services designed for your convenience. In the US: [GEAppliances.com](http://GEAppliances.com)

---

## Register Your Appliance

Register your new appliance on-line at your convenience! Timely product registration will allow for enhanced communication and prompt service under the terms of your warranty, should the need arise. You may also mail in the pre-printed registration card included in the packing material. In the US: [GEAppliances.com/register](http://GEAppliances.com/register)

---

## Schedule Service

Expert GE Appliances repair service is only one step away from your door. Get on-line and schedule your service at your convenience any day of the year. In the US: [GEAppliances.com/service](http://GEAppliances.com/service) or call 800.432.2737 during normal business hours.

---

## Extended Warranties

Purchase a GE Appliances extended warranty and learn about special discounts that are available while your warranty is still in effect. You can purchase it on-line anytime. GE Appliances Services will still be there after your warranty expires. In the US: [GEAppliances.com/extended-warranty](http://GEAppliances.com/extended-warranty) or call 800.626.2224 during normal business hours.

---

## Remote Connectivity

For assistance with wireless network connectivity (for models with remote enable), visit our website at [GEAppliances.com/connect](http://GEAppliances.com/connect) or call 800.220.6899 in the US.

---

## Parts and Accessories

Individuals qualified to service their own appliances can have parts or accessories sent directly to their homes (VISA, MasterCard and Discover cards are accepted). Order on-line today 24 hours every day. In the US: [GEApplianceparts.com](http://GEApplianceparts.com) or by phone at 877.959.8688 during normal business hours.

**Instructions contained in this manual cover procedures to be performed by any user. Other servicing generally should be referred to qualified service personnel. Caution must be exercised, since improper servicing may cause unsafe operation.**

---

## Contact Us

If you are not satisfied with the service you receive from GE Appliances, contact us on our Website with all the details including your phone number, or write to:

In the US: General Manager, Customer Relations | GE Appliances, Appliance Park | Louisville, KY 40225  
[GEAppliances.com/contact](http://GEAppliances.com/contact)



# COCINAS

Eléctricas con Modo de Pie

**INFORMACIÓN DE SEGURIDAD ... 3**

**USO DE LA COCINA**

Unidades de superficie ..... 8

Controles del Horno.....10

Funciones Especiales..... 11

Estantes del Horno.....12

Papel de Aluminio y Cobertores del Horno ...12

Utensilios.....12

Modos de Cocción .....13

Guía de Cocción.....14

**CUIDADO Y LIMPIEZA**

Limpieza de la Cocina - Exterior .....15

Limpieza de la Cocina - Interior.....18

Luz del Horno .....19

Puerta del Horno ..... 20

Cajón de Almacenamiento ..... 20

**CONSEJOS PARA LA SOLUCIÓN DE PROBLEMAS ..... 23**

**GARANTÍA LIMITADA ..... 26**

**ACCESORIOS ..... 27**

**SOPORTE PARA EL CONSUMIDOR ..... 28**

## MANUAL DEL PROPIETARIO

Cocina con Modo de Pie JB258 de 30"

Escriba los números de modelo y de serie aquí:

Nº de Modelo \_\_\_\_\_

Nº de Serie \_\_\_\_\_

Encontrará la etiqueta de calificación en el frente, detrás del cajón de la cocina.

## **GRACIAS POR HACER QUE GE APPLIANCES SEA PARTE DE SU HOGAR.**

---

Ya sea que haya crecido usando GE Appliances, o que ésta es su primera vez, nos complace tenerlo en la familia.

Sentimos orgullo por el nivel de arte, innovación y diseño de cada uno de los electrodomésticos de GE Appliances, y creemos que usted también. Entre otras cosas, el registro de su electrodoméstico asegura que podamos entregarle información importante del producto y detalles de la garantía cuando los necesite.

Registre su electrodoméstico GE ahora a través de Internet. Sitios Web y números telefónicos útiles están disponibles en la sección de Soporte para el Consumidor de este Manual del Propietario.

También puede enviar una carta en la tarjeta de inscripción preimpresa que se incluye con el material embalado.



**GE APPLIANCES**

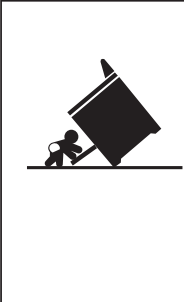
# INFORMACIÓN IMPORTANTE DE SEGURIDAD

## LEA TODAS LAS INSTRUCCIONES ANTES DE USAR ESTE ELECTRODOMÉSTICO

### ⚠️ ADVERTENCIA

Lea todas las instrucciones de seguridad antes de utilizar este producto. No seguir estas instrucciones puede generar un incendio, una descarga eléctrica, lesiones corporales o la muerte.

### DISPOSITIVO ANTI-VOLCADURAS



### ⚠️ ADVERTENCIA

#### Riesgo de Caída

- Un niño o adulto pueden volcar la cocina y morir.
- Instale el soporte anti-volcaduras sobre la pared o el piso.
- Asegúrese la estufa al soporte anti-volcaduras deslizando la unidad hacia atrás de tal manera que la pata niveladora sea enganchada.
- Vuelva a adherir el soporte anti-volcaduras si la estufa se mueve de lugar.
- Si esto no se hace, se podrá producir la muerte o quemaduras graves en niños o adultos.

Para reducir el riesgo de volcar la cocina, ésta debe sujetarse mediante un soporte anti-volcaduras con una adecuada instalación. Ver las instrucciones de instalación enviadas con el soporte para obtener detalles completos antes de iniciar la instalación.

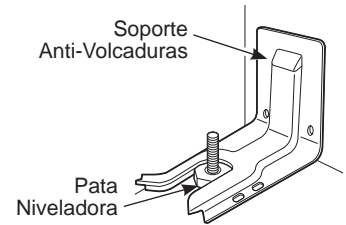
#### Para Cocinas Sin Apoyo y Deslizables

Para controlar si el soporte es instalado y ajustado de forma apropiada, mire que debajo de la cocina la pata niveladora trasera esté

ajustada al soporte. En algunos modelos, el cajón de almacenamiento o el panel de protección se pueden retirar para una fácil inspección. Si no es posible realizar una inspección visual, deslice la cocina hacia adelante, confirme que el soporte anti-volcaduras esté ajustado de forma segura al piso o la pared, y deslice la cocina hacia atrás de modo que la pata niveladora trasera se encuentre debajo del soporte anti-volcaduras.

Si la cocina es expulsada de la pared por alguna razón, siempre repita este procedimiento a fin de verificar que esté asegurado de forma correcta con un soporte anti volcaduras.

Nunca quite las patas de nivelación por completo ya que la cocina no quedará bien sujeta al dispositivo anti-volcaduras.



Cocinas Sin Apoyo y Deslizables

### ⚠️ ADVERTENCIA

### INSTRUCCIONES GENERALES DE SEGURIDAD

- Use este aparato sólo con el objetivo para el que fue creado, como se describe en este Manual del Propietario.
- **RIESGO DE INCENDIO:** Nunca pierda de vista la cocina cuando la superficie de cocción se encuentre en ON (Encendida) y en configuraciones superiores a Lo (Baja). Mantenga los ítems inflamables alejados de la estufa. Apague todos los controles cuando finalice la cocción. Si no se siguen estas instrucciones se podrá producir incendios, lesiones graves o la muerte.
- Asegúrese de que un técnico calificado realice una correcta instalación y puesta a tierra del artefacto de acuerdo con las instrucciones de instalación provistas.
- No intente reparar o cambiar ninguna pieza de su cocina a menos que esté específicamente recomendado en este manual. Cualquier otro servicio debe realizarlo un técnico calificado.
- Antes de realizar cualquier clase de reparación, desenchufe la cocina o desconecte el suministro eléctrico desde el panel de distribución doméstico quitando el fusible o desconectando el interruptor de circuitos.
- No deje a los niños solos; éstos no deben quedar solos o sin atención en un área donde un aparato esté en uso. Nunca debe permitirse que se suban, sienten o paren en cualquier parte de este aparato.
- **⚠️ PRECAUCIÓN** No almacene elementos de interés para niños sobre una cocina o en la protección trasera de una cocina: los niños que se trepan a la cocina para alcanzar elementos pueden resultar gravemente heridos.
- Sólo use agarraderas secas: las agarraderas húmedas o mojadas colocadas en superficies calientes pueden provocar quemaduras de vapor. No permita que las agarraderas entren en contacto con unidades de superficie o los elementos calentadores calientes. No utilice toallas u otras telas gruesas en lugar de una agarradera.
- Nunca use su electrodoméstico para calentar la habitación.

## LEA Y GUARDE ESTAS INSTRUCCIONES



# INFORMACIÓN IMPORTANTE DE SEGURIDAD

LEA TODAS LAS INSTRUCCIONES ANTES DE USAR ESTE ELECTRODOMÉSTICO

## ▲ADVERTENCIA INSTRUCCIONES GENERALES DE SEGURIDAD (Cont.)

- No toque las unidades de superficie, los elementos calentadores o la superficie interior del horno. Estas superficies pueden estar lo suficientemente calientes para quemar aún cuando tengan un color oscuro. Durante y después del uso, no toque o deje que su vestimenta u otros materiales inflamables entren en contacto con unidades de superficie, áreas cercanas a las unidades de superficie o cualquier área interior del horno; deje pasar un tiempo prudencial para que se enfríen. Otras superficies del aparato pueden calentarse lo suficiente como para provocar quemaduras. Las superficies potencialmente calientes incluyen la estufa, las áreas orientadas hacia la estufa, la abertura de ventilación del horno, las superficies cercanas a la abertura y las hendiduras ubicadas alrededor de la puerta del horno.
- No caliente recipientes cerrados de alimentos. Podría haber una acumulación de presión en el recipiente y éste podría explotar, provocando lesiones.
- No use ningún tipo de aluminio o cobertor para cubrir el fondo del horno o cualquier parte del horno, excepto como se describe en este manual. Los cobertores de horno pueden atrapar el calor o derretirse, ocasionando daños sobre el producto y el riesgo de descargas, humo o incendios.
- Trate de no rayar o golpear las puertas, estufas o paneles de control de vidrio. Si lo hace podría romperse el vidrio. No cocine si un producto tiene un vidrio roto. Puede provocarse una descarga, un incendio o heridas.
- Cocine la comida completamente para evitar que se produzcan enfermedades a partir de la comida. Puede encontrar recomendaciones de seguridad mínima sobre la temperatura de la comida en [IsItDoneYet.gov](http://IsItDoneYet.gov) y [fsis.usda.gov](http://fsis.usda.gov). Utilice un termómetro para tomar la temperatura de la comida y haga controles en diferentes ubicaciones.

## ▲ADVERTENCIA MANTENGA LOS MATERIALES INFLAMABLES ALEJADOS DE LA COCINA Si esto no se cumple, se podrán sufrir lesiones personales graves o incendios.

- No almacene o utilice materiales inflamables dentro de un horno o cerca de la estufa, tales como papel, plástico, agarraderas, telas, recubrimientos de pared, cortinas y gasolina u otros vapores y líquidos inflamables.
- Nunca use vestimentas holgadas o amplias mientras utilice el aparato. Estas vestimentas pueden prenderse fuego si entran en contacto con superficies calientes, provocando quemaduras graves.
- No permita que la grasa de la cocción u otros materiales inflamables se acumulen dentro de la cocina o en su cercanía. La grasa dentro del horno o sobre la estufa puede encenderse.
- Limpie las campanas de ventilación con frecuencia. No debe permitirse la acumulación de grasa en la campana o en el filtro.

## ▲ADVERTENCIA EN CASO DE INCENDIO, SIGA LOS SIGUIENTES PASOS PARA EVITAR LA PROPAGACIÓN DEL FUEGO

- No utilice agua en incendios de grasa. Nunca levante una sartén en llamas. Apague los controles. Apague una sartén en llamas sobre una unidad de superficie cubriendo la sartén por completo con una tapa que ajuste bien, una plancha para galletas o una bandeja plana. Utilice un químico seco multiuso o un extintor de incendios de espuma.
- Si hay un incendio en el horno durante el horneado, apáguelo cerrando la puerta del horno y apagando el control o usando un químico seco multiuso o un extintor de incendios de espuma.
- Si hay un incendio en el horno durante la auto-limpieza, apague el horno y espere a que el incendio se consuma. No abra la puerta del horno a la fuerza. El ingreso de aire fresco a temperaturas de auto-limpieza puede provocar una explosión de llamas desde el horno. No seguir esta instrucción puede provocar quemaduras graves.

LEA Y GUARDE ESTAS INSTRUCCIONES



# INFORMACIÓN IMPORTANTE DE SEGURIDAD

LEA TODAS LAS INSTRUCCIONES ANTES DE USAR ESTE ELECTRODOMÉSTICO

## **▲ ADVERTENCIA** INSTRUCCIONES DE SEGURIDAD DE LA ESTUFA

- Nunca pierda de vista las unidades de la superficie cuando la superficie de cocción se encuentre en ON (Encendida) y en configuraciones superiores a Lo (Baja). Los alimentos que hierven y se derraman pueden provocar humo y derrames grasosos que pueden prenderse fuego.
- Siempre esté presente frente a la cocina cuando cocine con aceite o grasa. La cocción en la superficie es una actividad que debe realizarse de forma "atendida".
- Nunca deje aceite sin atención mientras fríe. Si se deja calentar más allá del punto de humeo, el aceite puede encenderse, provocando un incendio que podría propagarse a los gabinetes cercanos. Utilice un termómetro para grasa cuando sea posible para controlar la temperatura del aceite.
- Para evitar el derrame de aceite y un incendio, utilice una cantidad mínima de aceite cuando fría en sartenes poco profundas y evite la cocción de alimentos congelados con una cantidad excesiva de hielo.
- Utilice el tamaño de recipiente adecuado: Elija recipientes con bases planas lo suficientemente grandes para cubrir el elemento calentador de superficie. La utilización de recipientes más pequeños dejará expuesta una porción de la unidad de superficie al contacto directo, lo que puede provocar el encendido de sus vestimentas. Una relación adecuada del recipiente con la unidad de superficie también mejorará la eficiencia.
- Sólo ciertos tipos de recipientes de vidrio, vidrio/cerámico, cerámica, u otros recipientes vidriados pueden utilizarse sobre la estufa; otros pueden romperse debido al cambio repentino de temperatura.
- Para minimizar la posibilidad de quemaduras, el encendido de materiales inflamables y los derrames, la manija de los recipientes deben girarse hacia el centro de la cocina sin extenderse sobre ninguna unidad de superficie cercana.
- Si flambea alimentos bajo la campana, encienda el ventilador.
- Si se produce un corte de luz en una cocina eléctrica mientras la unidad superficial está en ON (Encendido), la unidad se volverá a encender cuando regrese la luz. En caso de falta de corriente, si no se giran todas las perillas de la unidad de superficial a la posición OFF (Apagado) se podrán incendiar artículos en o cerca de la estufa, lo cual podrá producir lesiones graves o la muerte.

## **▲ ADVERTENCIA** INSTRUCCIONES DE SEGURIDAD DE LA ESTUFA DE BOBINAS

- No sumerja o remoje las unidades de superficie desmontables. No las coloque en el lavavajillas. No coloque las unidades de superficie dentro del horno cuando realice la auto-limpieza. Si lo hace pueden llegar a fallar, provocando un peligro de quemaduras o de incendio.
- No use una unidad superficial (elemento para calentar) si se genera un punto brillante durante el uso o aparecen otros signos de daños. Un punto brillante indica que la unidad superficial puede fallar y generar una posible quemadura, incendio o descarga eléctrica. Apague la unidad superficial de inmediato y solicite a un técnico calificado del servicio que reemplace la misma.
- Para evitar la posibilidad de una quemadura o descarga eléctrica, siempre verifique que los controles de todas las unidades de superficie se encuentren en la posición OFF (apagado) y que todas las bobinas estén frías antes de levantar o quitar una unidad de superficie de bobinas.
- No use papel de aluminio para cubrir cacerolas en la parte inferior. El papel puede atrapar el calor o derretirse, ocasionando daños sobre el producto y riesgo de descarga eléctrica o incendio.
- Asegúrese de que las bandejas colectoras no estén cubiertas y se encuentren en su lugar. Su ausencia durante la cocción podría dañar las piezas y el cableado de la cocina.

**LEA Y GUARDE ESTAS INSTRUCCIONES**

# INFORMACIÓN IMPORTANTE DE SEGURIDAD

LEA TODAS LAS INSTRUCCIONES ANTES DE USAR ESTE ELECTRODOMÉSTICO

## **▲ADVERTENCIA** INSTRUCCIONES DE SEGURIDAD DEL HORNO

- Manténgase alejado del horno al abrir la puerta del mismo. El aire caliente o el vapor que sale puede causar quemaduras en las manos, rostro y/u ojos.
- No use el horno si un elemento de calentamiento genera un punto brillante durante el uso o aparecen otros signos de daños. Un punto brillante indica que el elemento para calentar puede fallar y generar una posible quemadura, incendio o descarga eléctrica. Apague el horno de inmediato y solicite a un técnico calificado del servicio que reemplace el elemento para calentar.
- Mantenga desobstruida la ventilación del horno.
- Mantenga el horno libre de acumulación de grasa. La grasa del horno se puede incendiar.
- Coloque los estantes del horno en la ubicación deseada mientras éste se encuentra frío. Si es necesario mover el estante mientras el horno está caliente, evite que el mango de la olla tenga contacto con el elemento calentador en el horno.
- Al usar las bolsas para cocinar o dorar en el horno, siga las instrucciones del fabricante.
- Coloque el estante del horno en la posición de bloqueo, al introducir y retirar comida del horno. Esto ayuda a evitar quemaduras por tocar superficies calientes de la puerta y las paredes del horno.
- No deje productos tales como papel, utensilios de cocina ni comida en el horno cuando éste no se encuentre en uso. Los artículos guardados en el horno se pueden incendiar.
- Nunca coloque los utensilios de cocina, piedras para pizza u horneado o cualquier otro tipo de aluminio o cobertor en la base del horno. Estos ítems pueden atrapar el calor o derretirse, ocasionando daños sobre el producto y el riesgo de descargas, humo o incendios.

**LEA Y GUARDE ESTAS INSTRUCCIONES**

# INFORMACIÓN IMPORTANTE DE SEGURIDAD

LEA TODAS LAS INSTRUCCIONES ANTES DE USAR ESTE ELECTRODOMÉSTICO

## **▲ADVERTENCIA** INSTRUCCIONES DE SEGURIDAD DEL HORNO CON LIMPIEZA AUTOMÁTICA (en algunos modelos)

La función de limpieza automática usa el horno en temperaturas lo suficientemente altas como para consumir la suciedad de comida que haya dentro del horno. Para un funcionamiento seguro, siga estas instrucciones.

- No toque las superficies del horno durante el ciclo de limpieza automática. Mantenga a los niños alejados del horno durante la limpieza automática. Si no se siguen estas instrucciones, se podrán producir quemaduras.
- Antes de utilizar el ciclo de limpieza automática, retire las ollas, estantes de metal brillante del horno y otros utensilios que haya en el horno. Sólo se pueden dejar dentro del horno los estantes para horno cubiertos de porcelana. No use la función de limpieza automática para limpiar otras partes, tales como ollas de goteo o recipientes.
- Antes de utilizar el ciclo de limpieza automática, limpie la grasa y restos de comida que haya en el horno. Una cantidad excesiva de grasa se puede incendiar, lo cual puede producir daños con humo en su hogar.
- Si el modo de limpieza automática funciona de forma incorrecta, apague el horno y desconecte el suministro de corriente. Solicite el servicio de un técnico calificado.
- No limpie la junta de la puerta. La junta de la puerta es esencial para un buen sellado. Se debe tener cuidado de no frotar, dañar ni mover la junta.
- No use limpiadores para horno. No se deberá usar limpiadores comerciales para horno ni revestimientos de protección para hornos de ningún tipo en o alrededor de cualquier parte del horno.

## Cómo Retirar la Película Protectora de Envío y la Cinta de Embalaje

Con cuidado tome un extremo de la película protectora de envío con los dedos y lentamente retire la misma de la superficie del electrodoméstico. No utilice ningún producto filoso para retirar la película. Retire toda la película antes de usar el electrodoméstico por primera vez.

Para asegurar que no haya daños sobre el acabado del producto, la forma más segura de retirar el adhesivo de la cinta de embalaje en electrodomésticos nuevos es aplicando un detergente líquido hogareño para lavar platos. Aplique con una tela suave y deje que se seque.

**NOTA:** El adhesivo deberá ser eliminado de todas las partes. No se puede retirar si se hornea con éste dentro.

**LEA Y GUARDE ESTAS INSTRUCCIONES**

# Unidades de superficie

## ⚠ ADVERTENCIA

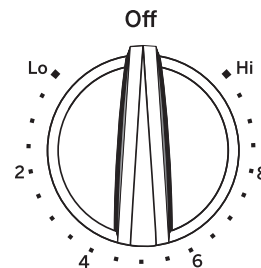
**RIESGO DE INCENDIO:** Nunca pierda de vista la cocina cuando la superficie de cocción se encuentre en ON (Encendida) y en configuraciones superiores a Lo (Baja). Mantenga los ítems inflamables alejados de la estufa. Apague todos los controles cuando finalice la cocción. Si no se siguen estas instrucciones se podrá producir incendios, lesiones graves o la muerte.

Es posible que las funciones y apariencias varíen con relación a su modelo a lo largo del manual.

## Cómo Configurar

Presione la perilla hacia adentro y gire en cualquiera de las direcciones hasta la configuración que desee.

Una luz indicadora de de superficie en ON (Encendido) brillará cuando una unidad superficial esté encendida.



Tanto en **Off (Apagado)** como en **Hi (Alto)**, el control se ajusta en la posición. Es posible que escuche leves sonidos de ajuste durante la cocción, indicando que el control está manteniendo su configuración deseada.

Asegúrese de girar la perilla de control a **Off (Apagado)** cuando finalice la cocción.

## Superficies de Cocción con Bobinas

Cada unidad de la superficie con bobinas utiliza "SENSI-TEMP TECHNOLOGY" a fin de reducir el riesgo de incendios con aceite y grasa en la superficie de cocción. Esta función se encuentra ubicada en el centro de cada unidad de la superficie. La corriente a la unidad de la superficie se encontrará temporalmente interrumpida cuando una olla o cacerola supere las temperaturas de cocción esperadas.

Aunque las unidades de superficie se hayan apagado, la unidad de superficie retiene suficiente calor para continuar la cocción. Para evitar la sobrecocción, quite las ollas de las unidades de superficie cuando los alimentos estén cocidos. No coloque nada sobre la unidad de superficie hasta que se haya enfriado por completo.

## Utensilio para Superficies de Cocción con Bobinas

La siguiente información le ayudará a elegir utensilios que le permitirán un buen desempeño en las superficies de cocción con bobinas.

**NOTA:** Siga todas las recomendaciones del fabricante de utensilios al usar cualquier tipo de utensilio en la superficie de cocción con bobinas.

### Recomendado

#### Acero inoxidable

El acero inoxidable delgado y sin cobertura tendrá un rendimiento de bajo nivel.

#### Aluminio

Se recomienda de capa gruesa.

Buena conductividad. Debido a su bajo punto de fusión, no debe utilizarse aluminio de capa fina.

#### Base de cobre

#### Esmalte (pintado) sobre hierro fundido

#### Hierro fundido

### Evitar/No se recomienda

#### Esmalte (pintado) sobre acero

#### Vidrio-cerámico:

Desempeño pobre.

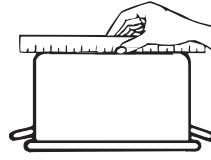
#### Cerámica:

Desempeño pobre.

# Unidades de superficie (Cont.)

## Más sobre Utensilios

- Coloque sólo recipientes secos sobre los elementos de superficie. No coloque tapas sobre los elementos de superficie, en especial tapas mojadas. Es posible que las ollas y tapas mojadas se adhieran a la superficie plana cuando se enfríen.
- No use woks con anillos de soporte. Este tipo de wok no se calentará sobre la superficie de cocción.
- Recomendamos el uso de woks de base plana solamente. Se encuentran disponibles en su negocio minorista local. La base del wok debe tener el mismo diámetro que el elemento de superficie para asegurar un contacto adecuado.
- Algunos procedimientos de cocción especiales requieren recipientes de cocción específicos, como ollas a presión, freidoras, etc. Todos los recipientes de cocción deben tener bases planas y ser del tamaño correcto.



Verifique que los recipientes tengan bases planas utilizando una regla. Usted no debería poder pasar una moneda de 5 centavos estadounidense por debajo del borde recto.



No use woks con anillos de soporte sobre la estufa.



No se recomiendan recipientes con bases redondeadas, curvadas, con rebordes o torceduras.



Utilice woks de base plana sobre la estufa.

## Consejos para Productos Enlatados en el Hogar

Asegúrese que el producto enlatado se encuentre sobre la unidad superficial.

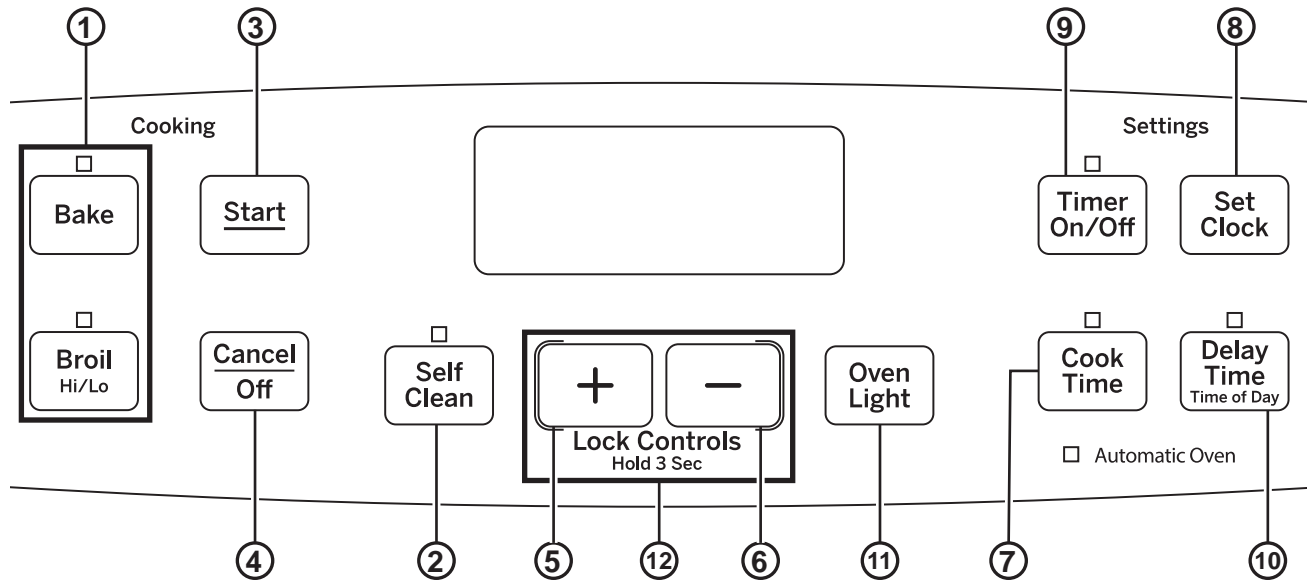
Asegúrese de que el producto enlatado sea plano en su parte inferior.

Para evitar quemaduras de vapor o calor, tenga cuidado al enlatar el producto.

Use recetas y procedimientos de fuentes confiables. Estos se encuentran disponibles a través de fabricantes como Ball® y Kerr® y el Department of Agriculture Extension Service (Servicio del Departamento de Agricultura).

El uso de enlatados cerrados a baño maría con fondos ondeados podrán extender el tiempo requerido para traer el agua al punto de hervor.

# Controles del Horno



- 1. Traditional Cooking Modes (Modos de Cocción Tradicionales):** Su horno cuenta con los siguientes modos de cocción tradicionales: Bake (Hornear) y Broil Hi (Asar Alto). Para más información, consulte la sección de Modos de Cocción.
- 2. Self Clean (Limpieza Automática):** Para acceder a información importante sobre el uso de este modo, consulte la sección de Limpieza del Horno.
- 3. Start (Iniciar):** Se deberá presionar para comenzar cualquier función de cocción, limpieza o por tiempo.
- 4. Cancel/Off (Cancelar/ Apagar):** Cancelar TODAS las operaciones del horno excepto el reloj y el temporizador.
- 5. Tecla +:** Golpecitos cortos a esta tecla incrementarán el tiempo o la temperatura en pequeñas cantidades. Mantenga presionada la tecla para incrementar el tiempo o la temperatura en grandes cantidades.
- 6. Tecla -:** Golpecitos cortos a esta tecla reducirán el tiempo o la temperatura en pequeñas cantidades. Mantenga presionada la tecla para reducir el tiempo o la temperatura en grandes cantidades.
- 7. Cook Time (Tiempo de Cocción):** Cuenta el tiempo de cocción y apaga el horno cuando el tiempo de cocción está completo. Presione la tecla **Cook Time (Tiempo de Cocción)**; use las teclas +/- para programar un tiempo de cocción en horas y minutos, y luego presione **Start (Iniciar)**. Esto sólo puede ser usado con Bake (Hornear).
- 8. Clock (Reloj):** Configure el tiempo del reloj del horno. Presione la tecla **Set Clock (Configurar Reloj)** y las teclas +/- para programar el reloj. Presione **Start (Iniciar)** para guardar la configuración de la hora.
- 9. Timer (Temporizador):** Funciona como un temporizador con cuenta regresiva. Presione la tecla **Timer (Temporizador)** y las teclas +/- para programar el tiempo en horas y minutos. Presione la tecla **Start (Iniciar)**. La cuenta regresiva del temporizador se completó. Para apagar el temporizador, presione la tecla **Timer (Temporizador)**.
- 10. Delay Time (Tiempo de Retraso):** Genera un retraso cuando el horno es encendido. Use esta tecla para configurar el momento en que desea que el horno se inicie. Presione la tecla **Delay Time (Tiempo de Retraso)** y use las teclas +/- para programar la hora del día en que desea que el horno se encienda y luego presione **Start (Iniciar)**. Presione el modo de cocción deseado y la temperatura y luego presione **Start (Iniciar)**. Si lo desea, también puede ser programado un tiempo de cocción. Siga las instrucciones de Cook Time (Tiempo de Cocción) para configurar esta función. Esto sólo puede ser usado con Bake (Hornear) y Self-Clean (Limpieza Automática).  
**NOTA:** Al usar la función de tiempo de retraso, las comidas que se echan a perder rápidamente, tales como leche, huevos, pescado, rellenos, ave y cerdo, no se deberán dejar reposar por más de 1 hora antes y después de la cocción. La temperatura ambiente estimula el desarrollo de bacterias nocivas. Asegúrese de que la luz del horno esté apagada, ya que el calor de la lámpara acelerará el crecimiento de bacterias nocivas.
- 11. Oven Light(s) (Luz(es) del Horno):** Enciende o apaga la luz(es) del horno.
- 12. Lock Controls (Controles de Bloqueo):** Bloquean el control de modo que al presionar las teclas no se activen los controles. Mantenga presionadas las teclas +/- durante tres segundos para bloquear o desbloquear el control. **Cancel/Off (Cancelar/ Apagar)** siempre está activa, incluso cuando el control está bloqueado.

# Funciones Especiales

Su cocina cuenta con varias funciones especiales diferentes. Para modificar las configuraciones de estas funciones especiales:

- Mantenga presionadas las teclas **Bake (Hornear)** y **Broil (Asar)** al mismo tiempo durante tres segundos.
- “SF” aparecerá en la pantalla.
- Seleccione la función que desee modificar.
- Cuando el cambio haya sido realizado, presione la tecla **Start (Iniciar)** para guardar el cambio y regrese a la hora del día.

## Ajuste de la Temperatura del Horno

Esta función permite que la temperatura de horneado del horno sea ajustada hasta 35°F más caliente o 35°F más fría. Use esta función si piensa que la temperatura de su horno es demasiado caliente o demasiado fría y desea modificarla. Este ajuste afecta el modo Bake (Hornear). Ningún otro modo de cocción se ve afectado.

Presione la tecla **Bake (Hornear)** nuevamente para ingresar el modo de ajuste de temperatura. Se exhibirá un número entre 35 y - 35. Use las teclas +/- para configurar el ajuste de temperatura deseado y use la tecla **Bake (Hornear)** para realizar cambios entre negativo y positivo. Presione la tecla **Start (Iniciar)** para guardar el ajuste de temperatura.

## Apagado automático de 12 horas y Modo Sabático

Las opciones de esta función son “12 SHdn” (Apagar Luego de 12 Horas), “no SHdn” (No Apagar) y “SAb” (Sabático).

El apagado automático de 12 horas apaga el horno luego de 12 horas de operaciones continuas.

El modo sabático desactiva las luces del horno (la luz del horno no se encenderá cuando la puerta sea abierta), todos los sonidos (el control no emitirá un pitido cuando se presione un botón), los modos de Asado, Calentar, Tiempo de Cocción, Temporizador, Reloj, y las funciones de Tiempo Retrasado. El modo sabático sólo puede ser usado con la función Bake (Hornear).

Presione la tecla **Set Clock (Configurar Reloj)** para visualizar la configuración actual y luego para modificar la configuración.

Para usar el modo Sabbath (Sabático), seleccione “SAb” (Sabático) y presione **Start (Iniciar)**. Aparecerá una ] en la pantalla y el reloj no será exhibido.

Una vez en el modo Sabbath (Sabático), en cualquier momento que sea posible presione **Bake (Hornear)** para iniciar el horno. Observe que al programar el horneado en el modo Sabbath (Sabático), la temperatura de inicio preconfigurada se configurará automáticamente en 350°F. Presione las teclas + o – para incrementar o reducir la temperatura por incrementos de 25°F para temperaturas entre 170°F y 550°F y luego presione **Start (Iniciar)**.

No se emitirá ningún sonido cuando las teclas sean presionadas. En un momento al azar entre los 30 segundos y 1 minuto, ][, aparecerá en la pantalla indicando que el horno está en funcionamiento.

Si necesita ajustar la temperatura mientras hornea, presione la tecla **Bake (Hornear)** nuevamente. Presione las teclas + o – para incrementar o reducir la temperatura en 25°F desde la temperatura previa que configuró hasta la temperatura de horneado nueva y luego presione **Start (Iniciar)**.

Para apagar el horno, presione **Cancel/Off (Cancelar/ Apagar)** en cualquier momento. **El horno se apagará inmediatamente** y el ícono, ][ cambiará a ], indicando que el horno fue apagado.

Para salir del modo sabático, asegúrese de que el horno esté apagado. Mantenga presionadas las teclas **Bake (Hornear)** y **Broil (Asar)** durante 3 segundos para ingresar a las funciones especiales, luego presione **Delay Time (Tiempo Retrasado)** hasta que “12 SHdn” (Apagar Luego de 12 Horas) o “no SHdn” (No Apagar) aparezcan en la pantalla y presione **Start (Iniciar)**.

**NOTA:** Si se produce un corte de luz, el modo Sabbath (Sabático) no se reiniciará cuando la energía se reestablezca.

Si desea usar la función Cook Time (Tiempo de Cocción) para hornear en el horno y luego hacer que éste se apague de forma automática, deberá presionar el botón **Cook Time (Tiempo de Cocción)**, ingresar una duración del tiempo de cocción, y presionar **Start (Iniciar)**. Luego ingrese a las funciones especiales para iniciar el modo Sabbath (Sabático), como se detalla más arriba.



## Estantes del Horno

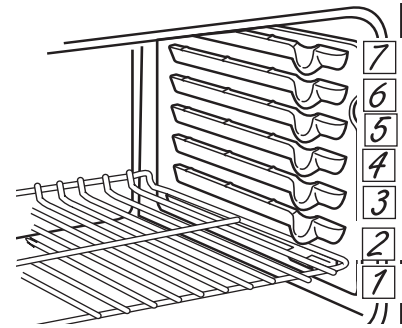
El horno cuenta con seis posiciones de estantes. En la Guía de Cocción, se brindan recomendaciones de posiciones de los estantes para diferentes tipos de comidas. Se ajusta un estante en una dirección para afectar los resultados de cocción. Por ejemplo, si se prefieren partes superiores más oscuras en tartas, panecillos o galletas, pruebe moviendo la comida a un estante que se encuentre una posición más arriba. Si encuentra que las comidas están demasiado doradas en la parte superior, pruebe moviendo las mismas más abajo la próxima vez.

Al hornear con múltiples ollas y en múltiples estantes, asegúrese de que haya por lo menos 11/2" entre las ollas, a fin de dejar suficiente espacio para que fluya el aire.

Para evitar posibles quemaduras, coloque los estantes en la posición deseada antes de encender el horno.

Es posible que resulte más difícil deslizar los estantes, especialmente luego de la limpieza automática. Coloque aceite vegetal en una tela húmeda o toalla de papel y frote sobre los extremos izquierdo y derecho.

**NOTA:** El uso de otros aceites de cocina provocará una descoloración o un residuo de color similar al óxido en los estantes y laterales de las cavidades. Para limpiar este residuo, use agua y jabón o una solución de vinagre y agua. Enjuague con agua limpia y seque con una tela seca.



La cantidad de posiciones de la bandeja puede variar en relación al modelo.

## Papel de Aluminio y Cobertores del Horno

### ⚠ PRECAUCIÓN

**No use ningún tipo de aluminio o cobertor de horno para cubrir el fondo del horno. Estos ítems pueden atrapar el calor o derretirse, ocasionando daños sobre el producto y el riesgo de descargas, humo o incendios. Los daños por uso inadecuado de estos ítems no están cubiertos por la garantía del producto.**

Se podrá usar aluminio para evitar derrames, colocando una hoja sobre un estante inferior varias pulgadas debajo de la comida. No use más aluminio que el necesario y nunca cubra totalmente el estante de un horno con papel de aluminio. Mantenga el aluminio a por lo menos 1 1/2" de las paredes del horno, para evitar una circulación deficiente del calor.

## Utensilios

### Pautas de Uso de Utensilios

El material, el acabado y el tamaño de los utensilios afectan el horneado.

Las ollas oscuras, revestidas y opacas absorben el calor más rápidamente que las ollas claras y brillantes. Al usar ollas que absorben el calor más rápidamente, las comidas podrán resultar más doradas, crocantes y con una capa más gruesa.

Si utiliza utensilios oscuros y revestidos, controle la comida antes del tiempo mínimo de cocción. Si se obtienen resultados no deseados con este tipo de utensilios, considere la posibilidad de reducir la temperatura del horno en 25° F la próxima vez.

Las ollas brillantes pueden producir resultados de horneado más parejos en tortas y galletas.

Las ollas de vidrio y cerámica calientan con lentitud, pero retienen bien el calor.

Estos tipos de ollas funcionan bien con platos tales como tartas y postres con natilla.

Las ollas con aislante de aire calientan lentamente y pueden producir fondos dorados.

Mantenga los utensilios limpios para una cocción más pareja.



# Modos de Cocción

Su nuevo horno posee una variedad de modos de cocción para que pueda obtener los mejores resultados. Estos modos se describen a continuación. Para acceder a recomendaciones para comidas específicas, consulte la sección de la Guía de Cocción. Recuerde que es posible que su nuevo horno funcione de manera diferente que aquel que está reemplazando.

## Modos de Horneado

Al preparar comidas horneadas tales como tartas, galletas y masas, siempre precaliente el horno primero. Siga las recomendaciones de la receta sobre la colocación de la comida. Si no se brindan pautas, centre la comida en el horno.

### Traditional Bake (Horneado Tradicional)

El modo de horneado tradicional está pensado para la cocción en un solo estante. Este modo usa el calor principalmente desde el elemento inferior, pero también desde el elemento superior para cocinar la comida. Para usar este modo, presione la tecla **Bake (Hornear)**, use las teclas **+ / -** para configurar el ajuste de temperatura deseado, y luego presione **Start (Iniciar)**. El precalentamiento generalmente se recomienda al usar este modo.

## Broiling Modes (Modo para Asar)

Siempre ase con la puerta cerrada. Monitoree la comida de cerca al asar. Tenga cuidado al asar en posiciones de estantes superiores, ya que colocar la comida más cerca del elemento para asar incrementa el humo, salpicaduras y la posibilidad de que se incendien las grasas. **No se recomienda asar en el estante de la posición 7.**

Intente asar las comidas que normalmente haría a la parrilla. Ajuste las posiciones de los estantes para ajustar la intensidad del calor a la comida. Coloque las comidas más cerca del elemento para asar, cuando se desee una superficie más cocinada y un interior poco cocido. Las comidas más gruesas y las comidas cuyo interior debe ser cocinado deberían ser asadas en un estante en una posición alejada del usado para asar, o usando las funciones Broil Lo (Asar Bajo).

### Broil Hi (Asar Alto)

El modo Traditional Broil Hi (Asado Tradicional Alto) usa calor intenso del elemento superior para soasar las comidas. Use la función Broil Hi (Asado Alto) para cortes más delgados de carne y/o comidas que prefiera que quedan menos cocinadas en su interior. Para usar este modo, presione la tecla **Broil (Asar)** una vez y luego presione **Start (Iniciar)**. No es necesario realizar el precalentamiento al usar este modo.

### Broil Lo (Asar Bajo)

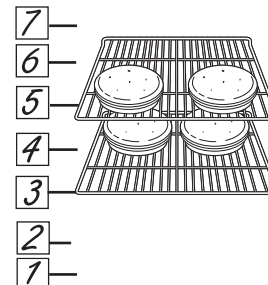
El modo Traditional Broil Lo (Asado Tradicional Bajo) usa menos calor intenso del elemento superior para cocinar la comida completamente mientras también produce el dorado superficial. Use la función Broil Lo (Asado Bajo) para cortes de carne más gruesos y/o comidas que desee que queden completamente cocinadas. Para usar este modo, presione la tecla **Broil (Asar) dos veces** y luego presione **Start (Iniciar)**. No es necesario realizar el precalentamiento al usar este modo.

# Guía de Cocción

TIPO DE COMIDA	MODO(S) RECOMENDADO(S)	POSICIÓN(ES) DE ESTANTES RECOMENDADA	SUGERENCIAS ADICIONALES
<b>Productos Horneados</b>			
Tortas con capas, tortas rectangulares, roscas, panecillos, pan rápido en un Solo Estante	Hornear	4	Use utensilios brillantes.
Tortas con capas* en Múltiples Estantes	Hornear	3 y 5	Asegúrese de que haya un flujo de aire adecuado (Vea la ilustración).
Tortas de grasa (pastel de ángel)	Hornear	1	Use utensilios brillantes.
Galletas, galletitas, bizcochitos en un Solo Estante	Hornear	4	Use utensilios brillantes.
Galletas, galletitas, bizcochitos en Múltiples Estantes	Hornear	3 y 5	Asegúrese de que haya un flujo de aire adecuado.
<b>Bife y Cerdo</b>			
Hamburguesas	Asar Alto	6	Use la parte para asar; mueva la comida más abajo para que quede más preparada y menos soasada. Preste atención a la comida al asarla. Para un mejor rendimiento, centre la comida debajo del elemento calentador para asar.
Bifes y Chuletas	Asar Alto	6	Use la parte para asar; mueva la comida más abajo para que quede más preparada y menos soasada. Preste atención a la comida al asarla. Para un mejor rendimiento, centre la comida debajo del elemento calentador para asar.
Dorados	Hornear	3 o 4	Use una olla chata tal como una olla para asar. No se requiere precalentarla.
<b>Ave</b>			
Pollo entero	Hornear	3 o 4	Use una olla chata tal como una olla para asar.
Pechugas, patas, muslos con huesos	Asar Alto	2	Si se empanó o cubrió con salsa, evite los modos Broil Hi (Asar Alto). Ase del lado de la piel hacia abajo primero. Preste atención a la comida al asarla. Para un mejor rendimiento, centre la comida debajo del elemento calentador para asar.
	Asado Bajo Hornear	2 o 3	
Pechugas de pollo deshuesadas	Asado Bajo Hornear	2 o 3	Si se empanó o cubrió con salsa, evite los modos Broil Hi (Asar Alto). Ase del lado de la piel hacia abajo primero. Preste atención a la comida al asarla. Para un mejor rendimiento, centre la comida debajo del elemento calentador para asar.
Pavo entero	Hornear	2 o 3	Use una olla chata tal como una olla para asar.
Pechuga de Pavo	Hornear	2 o 3	Use una olla chata tal como una olla para asar.
<b>Pescado</b>	Asado Bajo	6 (mitad del grosor o menos) 5 (>1/2 pulgada)	Preste atención a la comida al asarla. Para un mejor rendimiento, centre la comida debajo del elemento calentador para asar.
<b>Cazuelas</b>	Hornear	4	
<b>Comidas Congeladas a Conveniencia</b>			
Pizza, papas fritas, tator tots, patitas de pollo fritas, aperitivos en un Solo Estante	Hornear	4	Use utensilios brillantes.
Pizza, papas fritas, tator tots, patitas de pollo fritas, aperitivos en Múltiples Estantes	Hornear	3 y 5	Use utensilios brillantes.

\*Al hornear cuatro tortas con capas a la vez, use los estantes 3 y 5. Coloque las ollas como se muestra, de modo que no quede una olla encima de la otra.

Cocine la comida completamente para evitar que se produzcan enfermedades a partir de la comida. Puede encontrar recomendaciones sobre temperatura mínima para cocinar de forma segura en [IsItDoneYet.gov](http://IsItDoneYet.gov). Asegúrese de usar un termómetro de comidas para medir la temperatura de las mismas.



Posición del estante para hornear tortas de 4 capas.

# Cuidado y limpieza - Exterior

Asegúrese de que todos los controles estén apagados y que las superficies estén frías antes de limpiar cualquier parte de la cocina.



## ⚠ ADVERTENCIA

Si se quita la cocina para efectuar una limpieza, reparaciones o cualquier otra razón, verifique que el dispositivo anti-volcaduras se coloque de manera adecuada cuando vuelva a instalarse la cocina. Si no toma esta precaución, la cocina puede volcarse y provocar lesiones.

## Perillas de control

Las perillas de control se pueden retirar para facilitar la limpieza. Verifique que las perillas estén en la posición **OFF (apagado)** y sáquelas de los vástagos para la limpieza.

Las perillas pueden limpiarse en el lavavajillas o también

pueden lavarse con jabón y agua. Asegúrese de que la parte interna de las perillas esté seca antes de volver a colocarse.

Vuelva a colocar las perillas en la posición **OFF (apagado)** para asegurar una colocación correcta.

## Panel de control

Una buena idea es limpiar el panel de control luego de cada uso. Limpie con un jabón suave y agua o vinagre y agua, enjuague con agua limpia y pule en seco con una tela suave.

No use limpiadores abrasivos, limpiadores líquidos fuertes, almohadillas para fregar de plástico ni limpiadores de horno en el panel de control; dañarán el acabado.

## Exterior del Horno

No use limpiadores de horno, limpiadores abrasivos, limpiadores líquidos fuertes, estropajos de acero, almohadillas para fregar de plástico, ni polvos limpiadores en el interior o el exterior del horno. Limpie el mismo con agua y jabón o una solución de vinagre y agua. Enjuague con agua limpia y seque con una tela seca. Al limpiar superficies, asegúrese de que estén a temperatura ambiente y fuera del contacto con

la luz solar. Si las manchas en el borde de la ventana de la puerta son persistentes, use un limpiador abrasivo suave o una esponja con estropajo para obtener un mejor resultado. El derrame de adobo, jugos de fruta, salsas de tomate y líquidos para humedecer que contengan ácidos pueden ocasionar descoloración y se deberán limpiar de inmediato. Deje que las superficies calientes se enfríen, y luego limpie y enjuague.

## Superficies pintadas

Las superficies pintadas incluyen los lados de la cocina y la puerta, la parte superior del panel de control y el frente del cajón. Límpielas con jabón y agua o con una solución de agua y vinagre.

No utilice limpiadores de horno comerciales, polvos limpiadores, esponjillas de acero o abrasivos potentes sobre cualquier superficie pintada.

## Superficies de Acero Inoxidable (en algunos modelos)

No use virutas de acero; éstas dañarán la superficie.

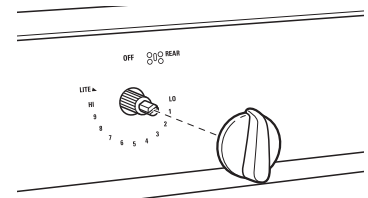
Para limpiar la superficie de acero inoxidable, use agua tibia con jabón o un limpiador o pulidor para acero inoxidable. Siempre limpie la superficie en la dirección del veteado. Siga las instrucciones del limpiador para limpiar la superficie de acero inoxidable.

Los limpiadores con ácido oxálico tales como Bar Keepers Friend Soft Cleanser™ eliminarán el óxido, deslustres y pequeñas manchas sobre la superficie. Use sólo un limpiador líquido libre de material abrasivo y frote en la dirección de las líneas del cepillo con una esponja suave y húmeda.

Para realizar consultas sobre la adquisición de productos, incluyendo limpiadores o pulidores para electrodomésticos de acero inoxidable, lea las secciones de Asistencia y Accesorios, en el comienzo de este manual.

Para una limpieza más fácil, las perillas del control pueden ser retiradas empujando las mismas directamente hacia fuera una vez que las mismas estén en la posición OFF (Apagado). No empuje las perillas hacia arriba o abajo ni sostenga objetos sobre las mismas. Esto puede dañar el eje de la válvula de gas. Las perillas se podrán lavar a mano con agua y jabón o en un lavavajillas.

Para reemplazar las perillas luego de la limpieza, alinee el agujero de la perilla de la parte trasera con el eje de la válvula de gas y empuje hacia adentro hasta que la perilla esté ajustada de forma segura. Todas las perillas son intercambiables.



Perilla del quemador superficial

# Limpieza de la Cocina - Exterior (Cont.)

## Estufa de esmalte de porcelana (en algunos modelos)

El acabado de esmalte de porcelana es resistente pero puede romperse si se utiliza incorrectamente. Este acabado es resistente al ácido. Sin embargo, no debe permitirse que algunos alimentos ácidos que se derraman (como jugos de fruta, tomate o vinagre) permanezcan en el acabado.

Si se derraman ácidos en la estufa mientras está caliente, utilice una toalla de papel o un paño secos para limpiarlo en

el momento. Cuando la superficie se haya enfriado, limpie con agua jabonosa. Enjuague bien.

En el caso de otros derrames, como salpicaduras de grasa, etc., limpie con agua jabonosa o polvos limpiadores cuando la superficie se haya enfriado. Enjuague bien. Pula con un paño seco.

## Unidad de la Superficie

### ▲ ADVERTENCIA

- Asegúrese de que los controles estén en OFF (Apagado) y que las unidades de la superficie estén frías antes de intentar retirarlas.
- No sumerja las unidades superficiales en líquidos de ningún tipo.
- No limpie las unidades superficiales en un lavavajillas.
- No incline la unidad superficial en terminales de enchufes.
- No intente limpiar, ajustar ni de ninguna forma reparar el receptáculo del enchufe.
- No empuje la tapa del sensor SENSI-TEMP TECHNOLOGY.

Para limpiar las unidades de la superficie, gire el control hasta la configuración más alta durante un minuto. Las bobinas quemarán cualquier suciedad. Para limpiar las unidades de la superficie, gire el control hasta la configuración más alta durante un minuto. Las bobinas quemarán cualquier suciedad. Para limpiar la tapa del Sensor Sensi-Temp Technology, utilice una esponja o tela húmeda. En caso de derrames de comidas cocinadas, retire el quemador de la cocina y de forma suave friegue la tapa y los soportes con un estropajo de plástico que se encuentre húmedo. No use lana de acero. Espere hasta que el quemador se seque durante la noche hasta instalar el mismo nuevamente.

### Para retirar una unidad de la superficie:

Para retirar las cubetas de goteo para la limpieza, las unidades de la superficie se deberán retirar primero.

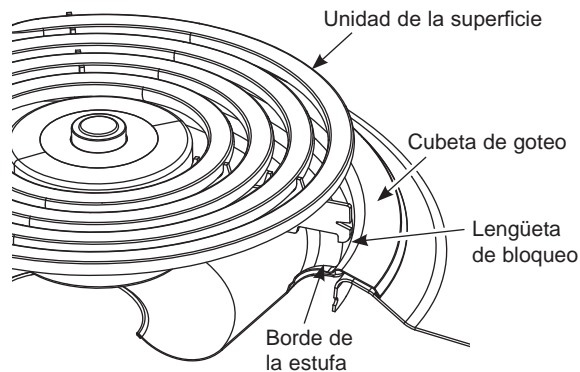
1. Vuelva a empujar la unidad de la superficie hacia el receptáculo.
2. Levante la unidad de la superficie aproximadamente 1 pulgada sobre la cubeta de goteo y empuje la misma hacia afuera.

No levante la unidad de la superficie más de 1 pulgada. Si lo hace, es posible que no se apoye sobre la cubeta de goteo al volver a enchufar la misma.

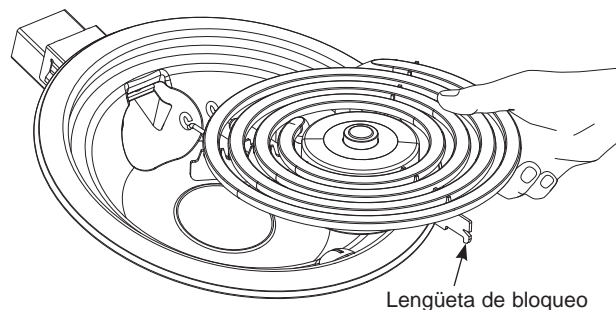
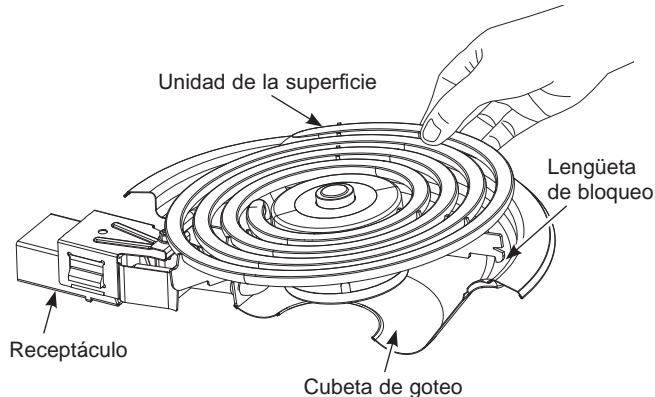
**NOTA:** Levantar de forma repetida la unidad de la superficie más de 1 pulgada sobre la cubeta de goteo puede dañar de forma permanente el receptáculo.

### Para reemplazar una unidad de la superficie:

1. Reemplace la cubeta de goteo en el receso en la estufa. Asegúrese de que la abertura de la cubeta quede alineada con el receptáculo.
2. Inserte las terminales de la unidad de la superficie a través de la abertura en la cubeta de goteo y en el receptáculo.
3. Empuje la unidad de la superficie hacia adentro y abajo, de modo que se apoye de forma pareja sobre la superficie de cocción.



Una vez ubicada correctamente, la lengüeta de bloqueo se debería trabar en el borde de la estufa, a través de la muesca de la cubeta de goteo.



# Limpieza de la Cocina - Exterior (Cont.)

## Cubetas de Goteo

Retire las unidades de la superficie. Luego retire las cubetas de goteo.

Para obtener mejores resultados, limpie las cubetas de goteo en forma manual. Coloque las mismas en un envase cubierto (o en una bolsa plástica) con  $\frac{1}{4}$  de taza de amoníaco para aflojar la suciedad. Enjuague con agua limpia y pule con una tecla suave y limpia.

Las cubetas de goteo también se pueden limpiar en un lavavajillas. Limpie el área debajo de la cubeta de goteo con frecuencia. La suciedad acumulada, especialmente la grasa, se puede incendiar. No cubra las cubetas de goteo con papel de aluminio. El uso de papel de aluminio tan cerca del receptáculo podría ocasionar una descarga eléctrica, incendio o daños sobre la estufa.

**NOTA:** Si la estufa está equipada con cubetas de goteo de color plateado brillante, no las limpie en el horno de auto limpieza. Se podrá producir un daño permanente sobre el acabado.

Si su estufa está equipada con cubetas de goteo negras o grises cubiertas de porcelana, se podrán limpiar dentro del horno durante el ciclo de auto limpieza. Antes de comenzar un ciclo de auto limpieza, retire cualquier suciedad pesada de las cubetas de goteo y coloque las mismas en los estantes del horno cubiertos de porcelana. No coloque las cubetas de goteo directamente en el fondo del horno. Una vez completado el ciclo de auto limpieza y que las cubetas de goteo estén frías, limpie las mismas con una tecla húmeda para retirar cualquier ceniza o residuo que haya quedado.

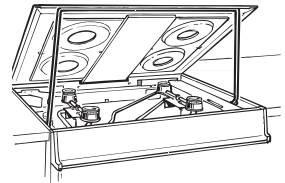
## Estufa Elevable

Toda la estufa se puede levantar y quedar apoyada en la posición superior para una limpieza fácil.

No es necesario retirar las unidades de la superficie; sin embargo, puede retirar una para facilitar la elevación de la estufa. Hay dos soportes laterales que se bloquean cuando la estufa se levanta.

Luego de limpiar debajo de la estufa con agua caliente, un poco de jabón y una tela seca, baje la estufa. Evite lastimaduras en los dedos.

Para bajar la estufa, vuelva a presionar las varas y de forma suave baje la estufa hasta que quede correctamente apoyada.



Asegúrese de que todas las unidades de la superficie estén apagadas antes de levantar la estufa.

## Bloqueo del Control

Si así lo desea, puede desactivar los botones de toque antes de la limpieza.

Consulte sobre los Controles de Bloqueo en la sección de Controles del Horno.

Limpie los derrames con un paño húmedo.

También puede utilizar un limpiador de vidrios.

Quite suciedades más rebeldes con agua tibia jabonosa. No utilice abrasivos de ninguna clase.

Vuelva a activar los botones de toque después de la limpieza.



## Cuidado y limpieza - Interior

El interior de su horno nuevo puede ser limpiado de forma manual o utilizando la función Self Clean (Limpieza Automática).

El derrame de adobo, jugos de fruta, salsas de tomate y líquidos para humedecer que contengan ácidos pueden ocasionar descoloración y se deberán limpiar de inmediato. Espere a que las superficies calientes se enfríen, y luego limpie y enjuague.

### Limpieza Manual

No use limpiadores de horno, limpiadores abrasivos, limpiadores líquidos fuertes, estropajos de acero, almohadillas para fregar, ni polvos limpiadores en el interior del horno. Limpie el mismo con agua y jabón o una solución de vinagre

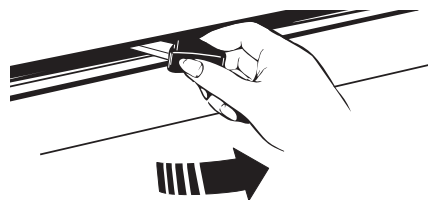
y agua. Enjuague con agua limpia y seque con una tela seca. Al limpiar superficies, asegúrese de que estén a temperatura ambiente y fuera del contacto con la luz solar.

### Modo de Limpieza Automática (en algunos modelos)

Lea las Instrucciones de Seguridad del Horno con Limpieza Automática, en el comienzo de este manual antes de usar el modo Self Clean (Limpieza Automática). Este modo usa temperaturas muy altas para limpiar el interior del horno. Cuando use esta función, será necesario que trabe la puerta del horno. Antes de utilizar el ciclo de limpieza automática, limpie la grasa y restos de comida que haya en el horno. Retire todos los artículos del horno, excepto los estantes esmaltados (color oscuro). Los estantes brillantes o de plata y cualquier utensilio u otros artículos deberían ser retirados del horno antes de iniciar un ciclo de limpieza automática. Cierre la puerta. Trabe la puerta.

**NOTA:** Nunca fuerce la traba. Si el horno está demasiado caliente, no podrá deslizar la traba. Deje que el horno se enfríe. Si su cocina cuenta con una perilla, gire la misma a la posición de limpieza automática o si su cocina cuenta con un control del horno presione la tecla **Self Clean (Limpieza Automática)** y se exhibirá un tiempo de limpieza automática por omisión. El tiempo de limpieza puede ser modificado en cualquier momento entre las 3:00 y las 5:00 horas, usando las teclas +/- para ingresar un tiempo diferente y presionando **Start (Iniciar)**. Cuando el nivel de suciedad en el horno sea muy alto, se recomienda usar el tiempo de limpieza máximo de 5 horas. Si desea usar el tiempo por omisión, presione la tecla **Start (Iniciar)** inmediatamente luego de presionar la tecla **Self Clean (Limpieza Automática)**. El horno se apagará de forma automática cuando el ciclo de limpieza automática sea completado. Una vez que el horno se haya enfriado, limpie cualquier ceniza que haya quedado en el horno.

Recomendamos ventilar su cocina con una ventana abierta o utilizando un ventilador o campana durante el primer ciclo de auto-limpieza.



La suciedad ubicada en el marco frontal de la cocina y fuera de la junta de la puerta deberá limpiarse a mano. Limpie estas áreas con agua caliente, esponjillas de lana de acero embebidas en jabón o limpiadores tales como Soft Scrub®. Enjuague bien con agua limpia y seque.

No limpie la junta. El material de fibra de vidrio de la junta de la puerta del horno no resiste productos abrasivos. Es esencial que la junta se mantenga intacta. Si usted nota que está desgastada, reemplácela.

Verifique que la tapa de la bombilla de luz del horno esté en su lugar y que la luz del horno esté apagada.

**IMPORTANTE:** Las emanaciones producidas por el ciclo de autolimpieza de cualquier horno afectan la salud de algunas aves de manera notoria. Procure llevar sus aves a otra habitación bien ventilada.

### Para Detener un Ciclo de Limpieza Automática

Presione **Cancel/Off (Cancelar/ Apagar)** y espere hasta que la luz de limpieza automática se apague. Espere hasta que el horno se haya enfriado por debajo de la temperatura de bloqueo para destrabar la puerta. No podrá abrir la puerta de inmediato, a menos que el horno se haya enfriado por debajo de la temperatura de bloqueo.

### Estantes

Todos los estantes se pueden lavar con agua caliente y jabón.

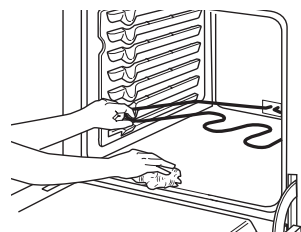
Es posible que resulte más difícil deslizar los estantes, especialmente luego de la limpieza automática. Coloque aceite vegetal en una tela húmeda o toalla de papel y frote sobre los extremos izquierdo y derecho.

**NOTA:** El uso de otros aceites de cocina provocará una descoloración o un residuo de color similar al óxido en los estantes y laterales de las cavidades. Para limpiar este residuo, use agua y jabón o una solución de vinagre y agua. Enjuague con agua limpia y seque con una tela seca.

### Elementos calentadores del horno

No limpie el elemento para hornear o el elemento para asar. Las suciedades se quemarán cuando se calienten los elementos.

Para limpiar el piso del horno, eleve suavemente el elemento a hornear. Limpie la base del horno con agua caliente y jabón.



Levante suavemente el elemento para hornear.

# Luz del Horno

**⚠ ADVERTENCIA** **PELIGRO DE DESCARGA ELÉCTRICA O QUEMADURAS:** Antes de reemplazar la bombilla del horno, desconecte la alimentación de energía al horno desde el panel principal de fusibles o del interruptor de circuitos. No hacerlo puede provocar una descarga eléctrica o una quemadura.

**⚠ PRECAUCIÓN** **RIESGO DE INCENDIO:** La tapa de vidrio y la lámpara de luz se deberán retirar cuando estén frías. Tocar el vidrio caliente sin protección en las manos o con un trapo húmedo puede ocasionar quemaduras.

## Reemplazo de la bombilla del horno (en algunos modelos)

### Para quitar la tapa:

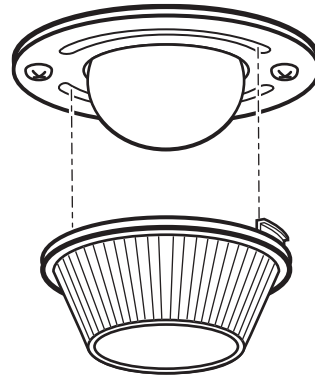
1. Dé a la tapa de vidrio un cuarto de giro en contra de las agujas del reloj hasta que las lengüetas de la tapa de vidrio limpien las ranuras de la ficha. Si usa guantes de látex tendrá un mejor agarre.
2. Retire la lámpara girando la misma en dirección contraria a las agujas del reloj.

### Para volver a colocar la tapa:

1. Reemplace la lámpara por una para electrodoméstico de 40 watts. Inserte la lámpara y gire la misma en dirección de las agujas del reloj, hasta que quede ajustada.
2. Coloque las lengüetas de la tapa de vidrio en las ranuras de la ficha. Dé a la tapa de vidrio un cuarto de giro en dirección de las agujas del reloj.

Para una mejor iluminación dentro del horno, limpie la tapa del vidrio en forma frecuente utilizando una tela húmeda. Esto se deberá hacer cuando el horno esté completamente frío.

3. Vuelva a conectar el cable de electricidad del horno.



Tapa de vidrio en modelos con la función Self Clean (Limpieza Automática) únicamente.



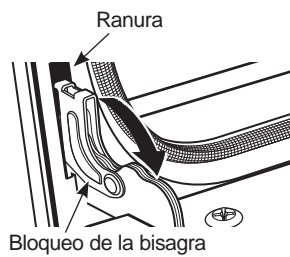
## Puerta del Horno

La puerta es muy pesada. Tenga cuidado al retirar y levantar la puerta.

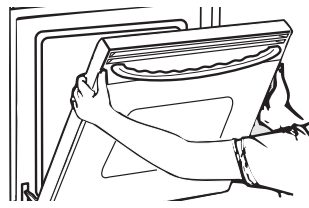
No levante la puerta usando la manija.

### Para retirar la puerta:

1. Abra la puerta totalmente.
2. Empuje los bloqueos de la bisagra hacia abajo en dirección a la estructura de la puerta, hasta la posición desbloqueada. Es posible que necesite una herramienta tal como un destornillador pequeño de punta plana.
3. Firmemente tome ambos lados de la puerta por la parte superior.
4. Cierre la puerta hasta la posición de retiro de la misma. La puerta debería ser abierta aproximadamente a 3", sin obstrucción sobre la misma.
5. Levante la puerta hacia arriba y afuera, hasta que los brazos de las bisagras queden fuera de las ranuras.



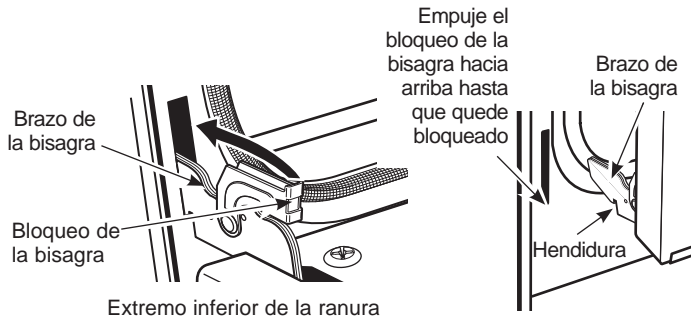
Empuje los bloqueos de la bisagra hacia abajo para desbloquear



Posición de retiro

### Para reemplazar la puerta:

1. Firmemente tome ambos lados de la puerta por la parte superior.
2. Comenzando desde el lado izquierdo, con la puerta en el mismo ángulo de la posición de retiro, apoye la hendidura del brazo de la bisagra en el extremo inferior de la ranura de la bisagra. La abertura en el brazo de la bisagra deberá estar totalmente apoyada en la parte inferior de la ranura. Repita el procedimiento del lado derecho.
3. Abra la puerta totalmente. Si la puerta no se abre totalmente, la hendidura no está correctamente apoyada en el extremo inferior de la ranura.
4. Empuje los bloqueos de la bisagra contra la estructura frontal de la cavidad del horno, hasta la posición de bloqueo.
5. Cierre la puerta del horno.



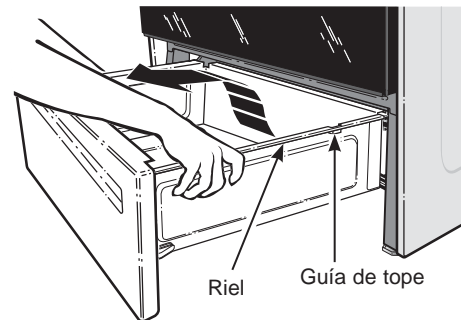
## Cajón de Almacenamiento (en algunos modelos)

### Para quitar el cajón:

1. Tire del cajón hacia fuera hasta que se detenga.
2. Levante el frente del cajón hasta que las trabas salgan de las guías.
3. Retire el cajón.

### Para volver a colocar el cajón:

1. Coloque los rieles del cajón en las guías.
2. Empuje el cajón hasta que se detenga.
3. Levante el frente del cajón y empuje hasta que las trabas superen las guías.
4. Baje el frente del cajón y empuje hacia abajo hasta que cierre.



# Notas

---

# Notas

---

# Consejos para la Solución de Problemas... Antes de solicitar el servicio técnico

¡Ahorre tiempo y dinero! Primero revise los cuadros que aparecen en las siguientes páginas y es posible que no necesite solicitar reparaciones.

Problema	Causa Posible	Qué Hacer
Las unidades de superficie no mantienen un hervor constante o la cocción es lenta	Se están utilizando recipientes de cocción inadecuados.	Use recipientes de base plana y que se ajusten al diámetro de la unidad de superficie elegida.
	En algunas regiones la energía (voltaje) puede ser baja.	Cubra el recipiente con una tapa hasta obtener el calor deseado.
Las unidades de la superficie con bobina no funcionan de forma correcta.	Las unidades de la superficie no están enchufadas de forma sólida.	Con los controles apagados, asegúrese de que la unidad de la superficie esté enchufada completamente en el receptáculo.
	La configuración de los controles de la unidad de la superficie es incorrecta.	Asegúrese de que el control correcto esté configurado para la unidad de la superficie que esté usando.
	Las cubetas de goteo no están configuradas de forma segura en la estufa.	Con el control apagado, asegúrese de que la cubeta de goteo se encuentre en el hueco de la estufa y que la abertura de la cubeta quede alineada con los receptáculos.
	El fusible puede haberse quemado o el interruptor de circuitos puede haber saltado.	Cambie el fusible o vuelva a configurar el interruptor de circuitos.
	La tapa del sensor Sensi-Temp Technology está demasiado sucia.	Limpie la tapa del sensor Sensi-Temp Technology siguiendo las instrucciones de la sección de limpieza de la cocina.
	Tapa del sensor sensi-temp atascada o sin flexibilidad hacia arriba y abajo.	Llame a un técnico calificado para su reemplazo. Reemplace las unidades de la superficie con bobinas sólo por la pieza de reemplazo exacta.
Las unidades de superficie se encienden y apagan con mucha frecuencia	Se están utilizando recipientes de cocción inadecuados.	Use sólo recipientes de base plana para minimizar el encendido y apagado.
Mi horno nuevo no cocina como el anterior. ¿Hay algún problema con las configuraciones de temperatura?	Su horno nuevo cuenta con un sistema de cocción diferente con relación al anterior y, por lo tanto, es posible que cocine de forma diferente.	En los primeros usos, use los tiempos y temperaturas de su receta con cuidado. Si aún piensa que su horno nuevo cocina con demasiado calor o demasiado frío, podrá ajustar el termostato usted mismo para aplicar su preferencia de cocción específica. <b>NOTA:</b> Este ajuste afecta las temperaturas de Bake (Hornear) y Convection Bake (Hornear por Convección); no afectará las funciones Convection Roast (Dorar por Convección), Broil (Asar), o Clean (Limpiar).
La comida no se hornea de forma apropiada	Controles del horno configurados de forma incorrecta.	Consulte la sección Modos de Cocción.
	La posición del estante es incorrecta o el estante no está nivelado.	Consulte la sección Modos de Cocción y la Guía de Cocción.
	Uso de una cacerola incorrecta o de una cacerola de tamaño incorrecto.	Consulte la sección Utensilios.
	La temperatura del horno debe ser ajustada.	Consulte la sección Funciones Especiales.
	Sustitución de ingredientes	Sustituir ingredientes puede modificar el resultado de la receta.
La comida no asa de forma apropiada	Controles del horno configurados de forma incorrecta.	Asegúrese de seleccionar el modo correcto para asar.
	Se usó una posición incorrecta del estante.	Para acceder a sugerencias de ubicación de estantes, consulte la Guía de Cocción.
	Se cocinó comida en una olla caliente.	Asegúrese de que el utensilio esté frío
	Utensilio de cocina inadecuado para asar.	Use una olla específicamente diseñada para asar
	El papel de aluminio usado para la olla y la rejilla para asar no se ajustó ni cortó de forma apropiada, según lo recomendado.	Si usará papel de aluminio, deberá usarse conforme con las aberturas de la olla.
	En algunas áreas, es posible que el nivel de corriente (voltaje) sea bajo.	Precalente el elemento para asar durante 10 minutos.
La temperatura del horno es demasiado caliente o demasiado fría	La temperatura del horno debe ser ajustada.	Consulte la sección Funciones Especiales o ajuste el termostato (en modelos con perilla de temperatura del horno).
El horno no funciona o parece no funcionar	Es posible que un fusible de su hogar se haya quemado o que el disyuntor se haya desconectado.	Reemplace el fusible o reinicie el disyuntor.
	Controles del horno configurados de forma incorrecta.	Consulte la sección Uso del Horno.
	El horno se encuentra en Sabbath Mode (Modo Sabático)	Verifique que el horno no esté en Sabbath Mode (Modo Sabático). Consulte la sección Funciones Especiales.

## Consejos para la Solución de Problemas... Antes de solicitar el servicio técnico

Problema	Causa Posible	Qué Hacer
Sonido de “chisporroteo” o “traqueo”	Éste es el sonido de metal calentándose o enfriándose durante las funciones de cocción y limpieza..	Esto es normal.
¿Por qué la estufa hace un sonido de “clic” cuando uso el horno?	Su estufa fue diseñada para mantener un control más ajustado sobre la temperatura del horno.	Esto es normal.
El reloj y el temporizador no funcionan	El fusible puede haberse quemado o el interruptor de circuitos puede haber saltado.	Cambie el fusible o vuelva a configurar el interruptor de circuitos.
	El enchufe de la cocina no está introducido del todo en el tomacorriente.	Verifique que el enchufe eléctrico esté conectado a un tomacorriente con tensión y adecuada conexión a tierra.
	Los controles del horno están mal configurados.	Ver la sección Cómo usar el temporizador de cocina.
El cajón de almacenamiento no cierra	El cable de energía puede estar obstruyendo el cajón en la parte trasera inferior de la cocina.	Cambie la ubicación del cajón y del cable de energía. Ver las instrucciones de Remoción del cajón de almacenamiento en la sección Cuidado y limpieza de la cocina.
	El soporte de cajón trasero se encuentra sobre el riel de la guía.	Vuelva a colocar el cajón. Ver las instrucciones de Remoción del cajón de almacenamiento en la sección Cuidado y limpieza de la cocina.
La puerta del horno alineada.	La puerta no está bien	Dado que la puerta del horno es desmontable, a veces está torcida se desequilibra durante la instalación. Para enderezar la puerta, presione hacia abajo sobre la esquina superior.
La luz del horno no funciona	La lámpara está floja o presenta defectos.	Ajuste o reemplace la lámpara.
	La luz de funcionamiento del interruptor está rota.	Llame al servicio técnico.
El modo de limpieza automática del horno no funciona	La temperatura del horno es demasiado caliente como para configurar la limpieza automática.	Espere a que el horno se enfríe y reinicie los controles.
	Los controles del horno están configurados de forma incorrecta.	Consulte la sección de Limpieza del Horno.
Exceso de humo durante un ciclo de limpieza	Suciedad o grasa excesiva.	Presione la tecla <b>Cancel/Off (Cancelar/ Apagar)</b> Abra las ventanas para liberar el humo en la habitación. Espere hasta que la luz de la función <b>LOCKED (Bloqueado)</b> desaparezca. Limpie el exceso de suciedad y reinicie el ciclo de limpieza.
Humo excesivo al asar	La comida está demasiado cerca del quemador.	Baje la posición del estante con comida.
La puerta del horno no se abrirá luego de un ciclo de limpieza	El horno está demasiado caliente.	Espere a que el horno se enfríe por debajo de la temperatura de bloqueo.
El horno no limpia luego de un ciclo de limpieza	Los controles del horno están configurados de forma incorrecta.	Consulte la sección de Limpieza del Horno.
	El horno estaba demasiado sucio.	Limpie derrames excesivos antes de iniciar el ciclo de limpieza. Es posible que, en hornos con mucha suciedad, sea necesario usar la limpieza automática nuevamente o usarla durante un período de tiempo más prolongado.
“LOCK DOOR” (Puerta Trabada) titila en la pantalla	El ciclo de limpieza automática fue seleccionado pero la puerta no está cerrada.	Cierre la puerta del horno.
La luz de LOCKED DOOR (Puerta Bloqueada) está encendida cuando desea cocinar.	La puerta del horno está bloqueada debido a que la temperatura interior del horno no descendió por debajo de la temperatura de bloqueo.	Presione la tecla <b>Cancel/Off (Cancelar/ Apagar)</b> Deje que el horno se enfríe.
“F – y un número o letra” titila en la pantalla	Tiene un código de error de función.	Presione la tecla <b>Cancel/Off (Cancelar/ Apagar)</b> Permita que el horno se enfríe durante una hora. Vuelva a poner el horno en funcionamiento.
	Si el código de función se repite.	Desconecte totalmente la corriente de la cocina durante por lo menos 30 minutos y vuelva a conectar la misma. Si el código de error de función se repite, llame al servicio técnico.

## Consejos para la Solución de Problemas... Antes de solicitar el servicio técnico

Problema	Causa Posible	Qué Hacer
La pantalla queda en blanco	Es posible que un fusible de su hogar se haya quemado o que el disyuntor se haya desconectado.	Reemplace el fusible o reinicie el disyuntor.
	El reloj está apagado.	Consulte la sección Funciones Especiales.
	El horno se encuentra en Sabbath Mode (Modo Sabático)..	Verifique que el horno no esté en Sabbath Mode (Modo Sabático). Consulte la sección Funciones Especiales.
Corte de corriente, el reloj titila	Corte o exceso de corriente	Reinicie el reloj. Si el horno estuvo en uso, deberá reiniciar el mismo presionando la tecla <b>Cancel/ Off (Cancelar/ Apagar)</b> configurando el reloj y reiniciando cualquier función de cocción.
Olor a “quemado” o “aceite” desde la ventilación	Esto es normal en un horno nuevo y desaparecerá con el tiempo.	Para acelerar el proceso, configure un ciclo de limpieza automática por un mínimo de 3 horas. Consulte la sección de Limpieza del Horno.
Olor fuerte	Un olor en la aislación alrededor del interior del horno es normal desde las primeras veces en que el horno es usado.	Esto es temporario y desaparecerá luego de varios usos o de un ciclo de limpieza automática.
La puerta de vidrio del horno parece estar “teñida” o tener un color “arcoíris”. ¿Es esto un defecto?	No. El vidrio del horno interno está cubierto con una barrera de calor que refleja este último nuevamente hacia el horno, a fin de evitar la pérdida de calor y de mantener fría la puerta externa mientras se hornea.	Esto es normal. Bajo ciertas luces y ángulos, es posible que visualice esta tinta o arcoíris.
A veces el horno tarda más en precalentarse a la misma temperatura	Utensilio o comida en el horno	El utensilio o la comida en el horno hará que éste tarde más en precalentarse. Retire estos artículos para reducir el tiempo de precalentamiento.
	Número de estantes en el horno	Agregar más estantes al horno hará que éste tarde más en precalentarse. Retire algunos estantes.
La pantalla destella	Corte de energía.	Reconfigure el reloj.
La pantalla no muestra “SF”	Los botones de control del horno no se presionaron correctamente.	Los botones <b>Broil Hi/Lo (asar alto/bajo)</b> y <b>Bake (hornear)</b> deben presionarse al mismo tiempo y sostenerse durante 3 segundos.
El control emite una señal después de ingresar un tiempo de cocción o de inicio	Olvidó ingresar un temperatura de horneado o un horario de limpieza.	Presione el botón <b>Bake (hornear)</b> y la temperatura deseada o el botón <b>Self Clean (auto-limpieza)</b> y el tiempo de limpieza deseado.
Resulta difícil deslizar las bandejas del horno	Las parrillas de color plateado brillante se limpiaron en un ciclo de auto limpieza.	Aplique una pequeña cantidad de aceite vegetal en una toalla de papel y frote los bordes de las bandejas del horno. No rocíe con Pam® u otro lubricante en spray.
El cajón no se desliza bien o hay que tirar de él	El cajón no está bien alineado.	Extienda el cajón por completo y presiónelo hasta el fondo. Ver la sección Cuidado y limpieza de la cocina.
	El cajón está muy cargado o la carga no está equilibrada.	Reduzca el peso. Redistribuya el contenido del cajón.
No funcionan el cajón calentador	El fusible puede haberse quemado o el interruptor de circuitos puede haber saltado.	Cambie el fusible o vuelva a configurar el interruptor de circuitos.
	Los controles están mal configurados.	Ver la sección Cómo usar el cajón calentador.
Emisión de vapor desde la ventilación	Cuando se utilizan los hornos, es normal ver una emisión de vapor de la ventilación del horno. A medida que el número de bandejas o la cantidad de alimentos a cocinar se incrementa, la cantidad de vapor visible se elevará.	Esto es normal.
Condensación excesiva en el cajón	Líquido en el cajón	Quite el líquido.
	Alimentos sin cubrir.	Cubra los alimentos con una tapa o con papel de aluminio.
	La configuración de temperatura está muy alta.	Reduzca la configuración de la temperatura.

# Garantía limitada de la cocina eléctrica GE Appliances

## GEAppliances.com

Todo el servicio de garantía es provisto por nuestros Centros de Servicio de Fabricación, o un técnico autorizado de Customer Care®. Para programar una visita del servicio técnico a través de Internet, visítenos en **GEAppliances.com/service**, o llame a GE Appliances al 800.GE.CARES. Cuando llame para solicitar el servicio, tenga los números de serie y modelo disponibles.

Para realizar el servicio técnico de su electrodoméstico, se podrá requerir el uso de datos del puerto de abordaje para su diagnóstico. Esto da al técnico del servicio de fábrica de GE Appliances la habilidad de diagnosticar de forma rápida cualquier problema con su electrodoméstico, y de ayudar a GE Appliances a mejorar sus productos al brindarle a GE Appliances la información sobre su electrodoméstico. Si no desea que los datos de su electrodoméstico sean enviados a GE Appliances, solicitamos que le indique a su técnico no entregar los datos a GE Appliances en el momento del servicio.

Por el Período de	GE Appliances reemplazará
<b>Un Año</b> Desde la fecha de la compra original	<b>Cualquier parte</b> de la cocina que falle debido a un defecto en los materiales o la fabricación. Durante esta <b>garantía limitada de un año</b> , GE Appliances también proveerá, <b>sin costo</b> , todo el trabajo y el servicio en el hogar para reemplazar la parte que presente defectos.

### Qué no cubrirá GE Appliances:

- Viajes del técnico del servicio a su hogar para enseñarle sobre cómo usar el producto.
- Instalación, entrega o mantenimiento inadecuados.
- Fallas del producto en caso de abuso, mal uso, modificación o uso para propósitos diferentes al original o uso comercial.
- Daños a la estufa de vidrio provocados por el uso de limpiadores distintos de las cremas y paños recomendados.
- Daños a la estufa de vidrio provocados por derrames endurecidos de materiales azucarados o plástico derretido que no se limpiaron de acuerdo con las instrucciones del Manual del Propietario.
- Reemplazo de fusibles de la casa o reinicio de disyuntores.
- Daños ocasionados sobre el producto por accidente, incendio, inundaciones o catástrofes naturales.
- Daños sobre el acabado, tales como óxido sobre la superficie, deslustres o manchas pequeñas no informadas dentro de las 48 horas luego de la entrega.
- Daños incidentales o consecuentes causados por posibles defectos sobre este producto.
- Daño causado después de la entrega.
- Producto no accesible para brindar el servicio requerido.
- Solicite el servicio técnico para reparar o reemplazar las lámparas, excepto las lámparas LED.
- Sumergir o alterar las unidades de la superficie con bobinas con Sensi-Temp Technology.

### EXCLUSIÓN DE GARANTÍAS IMPLÍCITAS

Su única y exclusiva alternativa es la reparación del producto, como se indica en la Garantía Limitada. Las garantías implícitas, incluyendo garantías implícitas de comerciabilidad o conveniencia sobre un propósito particular, se limitan a un año o al período más corto permitido por la ley.

Esta garantía limitada se extiende al comprador original y a cualquier propietario posterior de los productos comprados para uso doméstico dentro de EE. UU. Si el producto está en un área donde no se encuentra disponible un Proveedor Autorizado del Servicio Técnico de GE Appliances, usted será responsable por el costo de un viaje o se podrá requerir que traiga el producto a una ubicación del Servicio Técnico de GE Appliances autorizado para recibir el servicio. En Alaska, la garantía limitada excluye el costo de envío o visitas de servicio a su domicilio. Algunos estados no permiten la exclusión o limitación de daños fortuitos o consecuentes. Esta garantía limitada le otorga derechos legales específicos, y usted también podría tener otros derechos que varían de estado a estado. Para conocer cuáles son sus derechos legales, consulte a la oficina de asuntos del consumidor local o estatal o al Fiscal de su estado.

**Garante: GE Appliances, a Haier company**

Louisville, KY 40225

**Garantías Extendidas:** Adquiera una garantía extendida de GE Appliances y conozca los descuentos especiales que están disponibles mientras su garantía aún está vigente. Puede acceder a la misma a través de Internet en cualquier momento en

**GEAppliances.com/extended-warranty**

o llamando al 800.626.2224 durante el horario comercial. Los Servicios para los GE Appliances aún estarán disponibles cuando su garantía caduque.

Abroche su recibo aquí. Para acceder al servicio técnico de acuerdo con la garantía deberá contar con la prueba de la fecha original de compra.



# Accesorios

## Looking For Something More?

GE Appliances offers a variety of accessories to improve your cooking and maintenance experiences!

Refer to the Consumer Support page for phone numbers and website information.

The following products and more are available:

### Accesorios

---

Olla para Asar Pequeña (8 ¾" x 1 ¼" x 13 ½")

---

Olla para Asar Grande\* (12 ¾" x 1 ¼" x 16 ½")

---

Olla para Asar Extra Grande\*\* (17 ¾" x 1 ¼" x 19 ½")

### Piezas

---

Estantes del horno

---

Elementos del horno

---

Lámparas de luz

### Suministros de Limpieza

---

Limpiadores de Acero Inoxidable CitriShine™

---

Limpiador para Electrodomésticos de Acero Inoxidable

---

Almohadillas de Limpieza no Abrasivas para Superficies de Cocción de Cerámica

---

Limpiador para Superficies de Cocción de Cerámica

---

Espátula para Superficies de Cocción de Cerámica

---

Kit (el kit incluye crema y espátula para placa de cocción)

\*La olla para asar grande no entra en cocinas de 20"/24".

\*\*La olla XL no entra en hornos de pared de 24", empotrables de 27" o cocinas de 20"/24".

**NOTAS:** Vaya al sitio web de GE Appliances para ver los limpiadores recomendados.

# Soporte para el Consumidor

---

## Sitio Web de GE Appliances

¿Desea realizar una consulta o necesita ayuda con su electrodoméstico? ¡Intente a través del Sitio Web de GE Appliances las 24 horas del día, cualquier día del año! Usted también puede comprar más electrodomésticos maravillosos de GE Appliances y aprovechar todos nuestros servicios de soporte a través de Internet, diseñados para su conveniencia.

En EE.UU.: [GEAppliances.com](http://GEAppliances.com)

---

## Registre su Electrodoméstico

¡Registre su electrodoméstico nuevo a través de Internet, según su conveniencia! Un registro puntual de su producto permitirá una mejor comunicación y un servicio más puntual de acuerdo con los términos de su garantía, en caso de surgir la necesidad. También puede enviar una carta en la tarjeta de inscripción preimpresa que se incluye con el material embalado.

En EE.UU.: [GEAppliances.com/register](http://GEAppliances.com/register)

---

## Servicio Programado

El servicio de reparación de expertos de GE Appliances está a sólo un paso de su puerta. Conéctese a través de Internet y programe su servicio a su conveniencia cualquier día del año. En EE.UU.: [GEAppliances.com/service](http://GEAppliances.com/service) o comuníquese al 800.432.2737 durante el horario de atención comercial.

---

## Garantías Extendidas

Adquiera una garantía extendida de GE Appliances y conozca los descuentos especiales que están disponibles mientras su garantía aún está vigente. La puede adquirir en cualquier momento a través de Internet. Los servicios de GE Appliances aún estarán allí cuando su garantía caduque.

En EE.UU.: [GEAppliances.com/extended-warranty](http://GEAppliances.com/extended-warranty)

o comuníquese al 800.626.2224 durante el horario de atención comercial.

---

## Conectividad Remota

Para solicitar asistencia para la conectividad de red inalámbrica (para modelos con acceso remoto), visite nuestro sitio web en [GEAppliances.com/connect](http://GEAppliances.com/connect) o comuníquese al 800.220.6899 en EE.UU.

---

## Piezas y Accesorios

Aquellos individuos calificados para realizar el servicio técnico de sus propios electrodomésticos podrán solicitar el envío de piezas o accesorios directamente a sus hogares (se aceptan las tarjetas VISA, MasterCard y Discover). Ordene hoy a través de Internet durante las 24 horas, todos los días. En EE.UU.: [GEApplianceparts.com](http://GEApplianceparts.com) o de forma telefónica al 877.959.8688 durante el horario de atención comercial.

**Las instrucciones que figuran en este manual cubren los procedimientos que serán realizados por cualquier usuario. Otros servicios técnicos generalmente deben ser derivados a personal calificado del servicio. Se deberá tener cuidado, ya que una reparación indebida podrá hacer que el funcionamiento no sea seguro.**

---

## Contáctenos

Si no se encuentra satisfecho con el servicio que recibió de GE Appliances, comuníquese con nosotros a través de nuestro sitio Web con todos los detalles, incluyendo su número telefónico, o escriba a:

En EE.UU.: General Manager, Customer Relations | GE Appliances, Appliance Park | Louisville, KY 40225

[GEAppliances.com/contact](http://GEAppliances.com/contact)