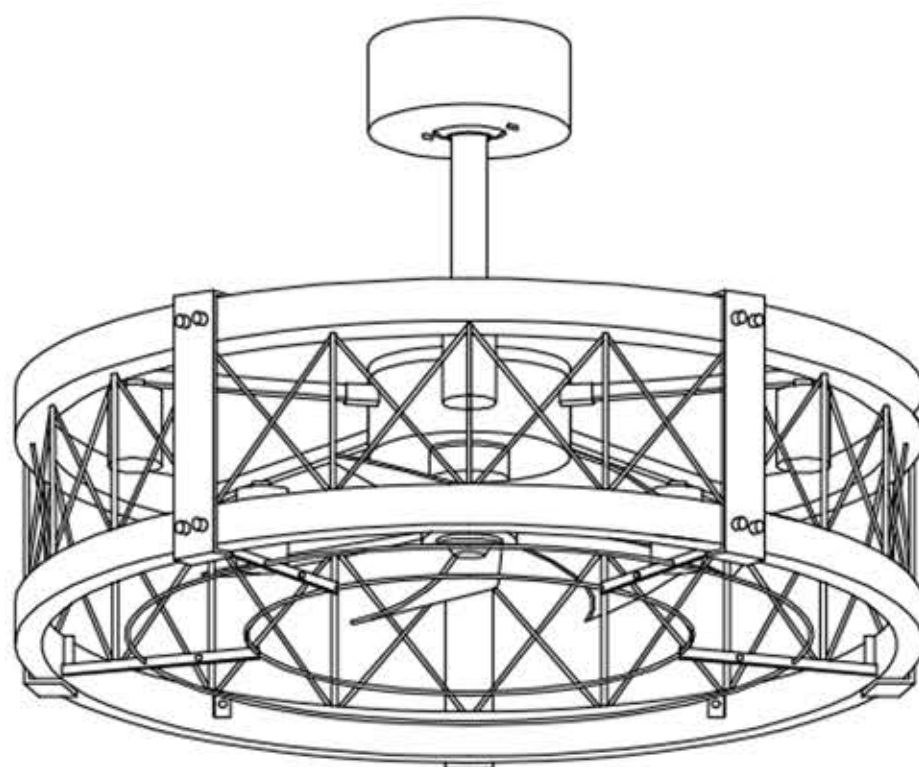


INSTALLATION & USER MANUAL

CEILING FAN WITH LIGHT



ITEM # 35099-BK

Customer Service: support@ceilingfanhelp.com

Table of Contents

Table Of Contents.....	2	Exploded View.....	6
Safety Information.....	2	Installation Instructions.....	7
Dimension Reference.....	3	Troubleshooting Guide.....	8
Hardware Included.....	4		
Fan Parts Included.....	5		

Safety Information

READ AND SAVE THESE INSTRUCTIONS.

1. To reduce the risk of electric shock, ensure electricity has been turned off at the circuit breaker or fuse box before you begin.
2. All wiring must be in accordance with the National Electrical Code "ANSI/NFPA 70" and local electrical codes. Electrical installation should be operated by a qualified licensed electrician.
3. The outlet box and support structure must be securely mounted and capable of reliably supporting a minimum of 35 lbs (15.9 kg). Use only UL Listed outlet boxes marked "Acceptable for Fan Support of 35 lbs. (15.9 kg) or less."
4. Do not place objects in the path of the blades.
5. To clean the fixture, turn off the power, wait for it to cool, and wipe the fixture with a clean, dry, soft cloth.
6. After making electrical connections, spliced conductors should be turned upward and pushed carefully up into the outlet box. The wires should be spread apart with the grounded conductor and the equipment grounding conductor on one side of the outlet box and ungrounded conductor on the other side of the outlet box.
7. All set screws must be checked and tightened where necessary before installation.



WARNING: To reduce the risk of electrical shock or fire, do not use this fan with any solid-state fan speed control device. It will permanently damage the electronic circuitry.



WARNING: To reduce the risk of personal injury, do not bend the blade brackets when installing the brackets balancing the blades, or cleaning the fan. Do not insert



WARNING: To reduce the risk of fire, electric shock or personal injury, mount to outlet box marked "acceptable for fan support of 35 lbs. (15.9 Kg) or less" and use screws provided with the outlet box.



WARNING: To avoid possible electrical shock, turn the electricity off at the main fuse box before wiring.



WARNING: To reduce the risk of electrical shock, this must be installed with an isolating wall control / switch.



CAUTION: To reduce the risk of personal injury, use only the screws provided with the outlet box.



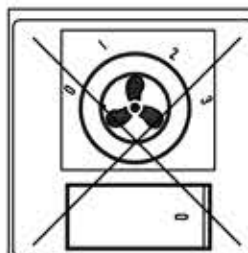
CAUTION: Please use carefully when working around or cleaning the fan to avoid injury or damage of fan.



CAUTION: The fan must be mounted with a minimum of 7 ft (2.1 m) clearance from the trailing edge of the blades to the floor.

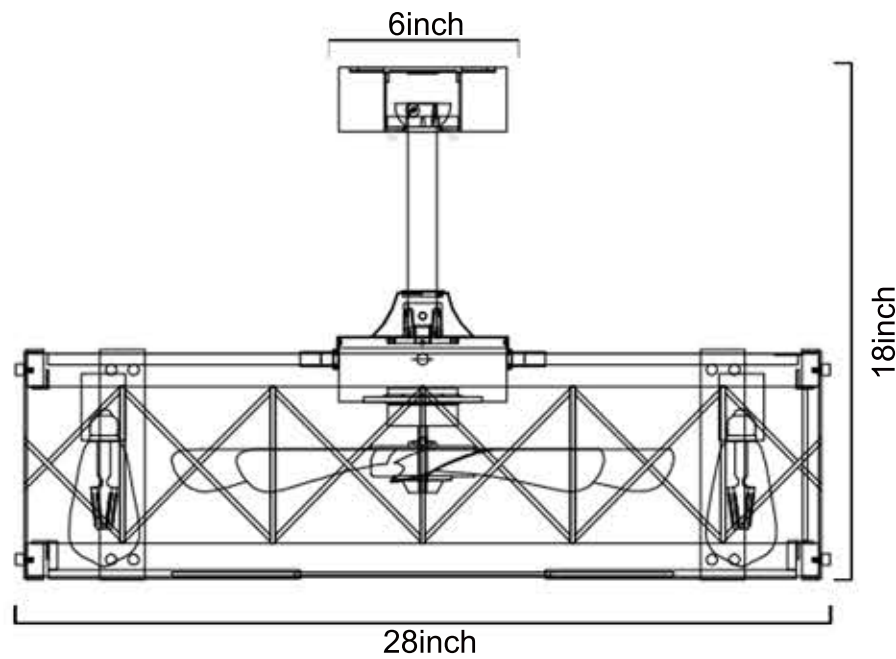


CAUTION: Changes or modifications not expressly approved by the party responsible for compliance could void the user's authority to operate the equipment.



CAUTION: It is recommended that when installing a fan light, there is already a regulator at home, and the controller cannot be connected together.

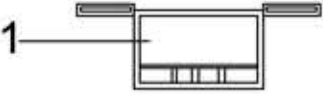
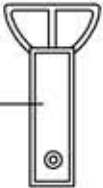

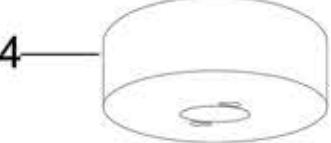

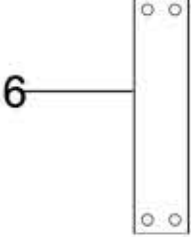
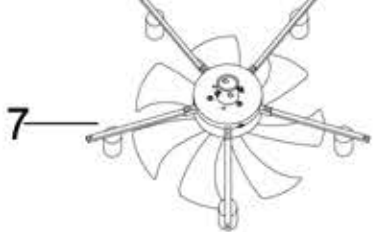
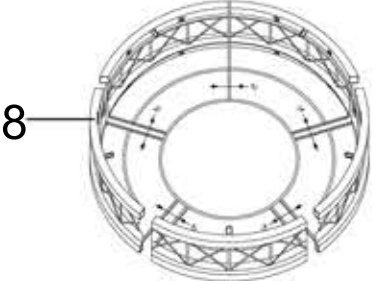




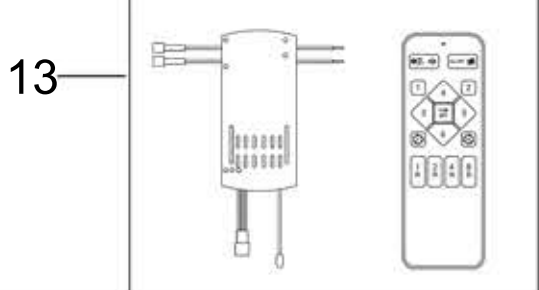
Dimension Reference



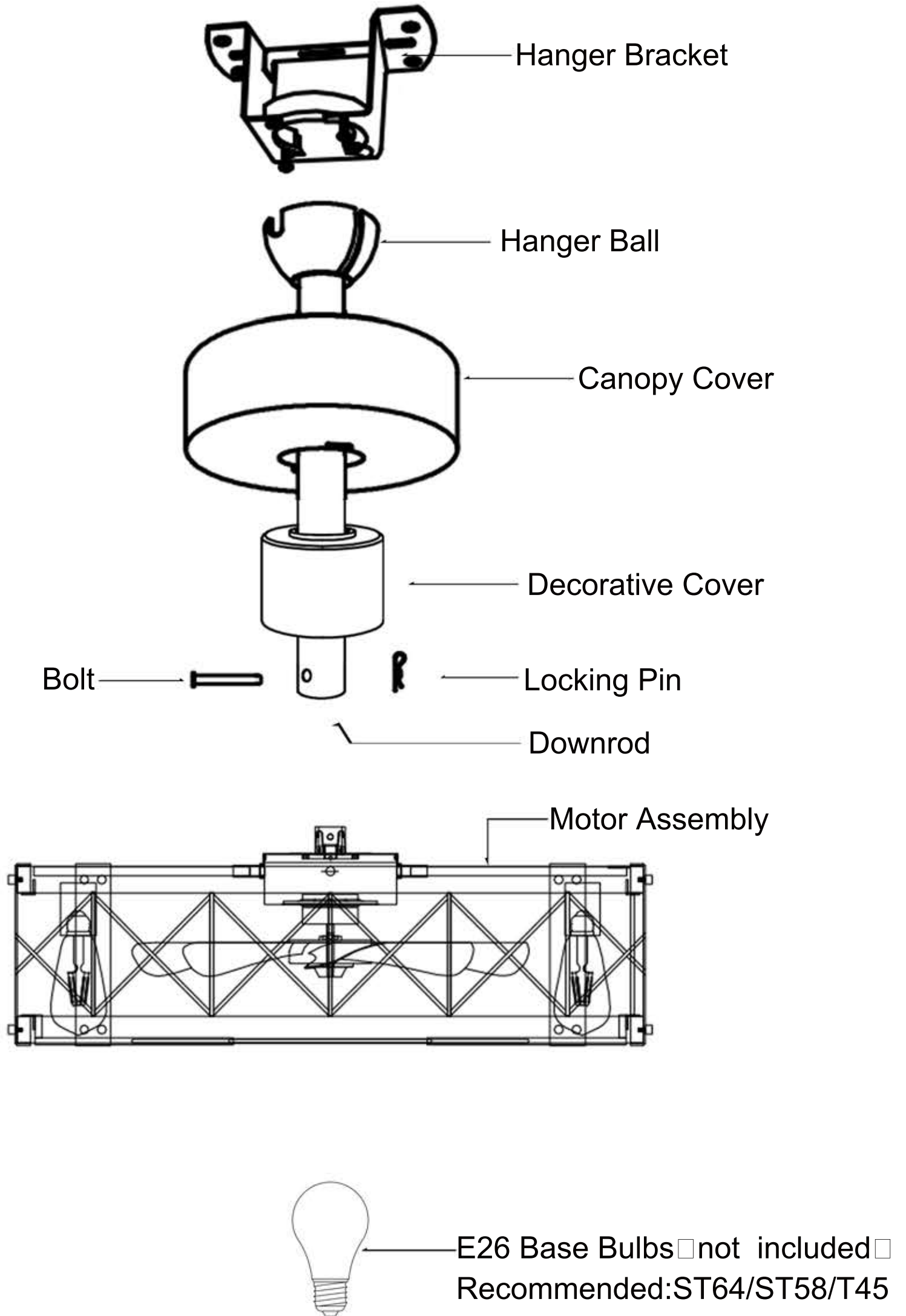
Hardware Included

		Hardware Package	Quantity
	S1	S1. Wire Connector	3
	S2	S2. Wood Screw	4
	S3	S3. Plastic Expansion Tube	4
	S4	S4. Spring Washer	2
	S5	S5. Threaded Rod	2
	S6	S6. Xpansion Bolt	2

Fan Parts Included

		Name	Quantity
	1	1. Hanger Bracket	1
	2	2. Short Downrod	1
	3	3. Long Downrod	1
	4	4. Canopy	1
	5	5. Decorative Cover	1
	6	6. Connector	5
	7	7. Main Body Connector	1
	8	8. Motor Assembly	1
	9	9. Short Screw	17
	10	10. Long Screw	6
	11	11. Shock Block	12
	12	12. Connectors	22
	13	13 Remote Control (Batteries Not Included)	1

Exploded View

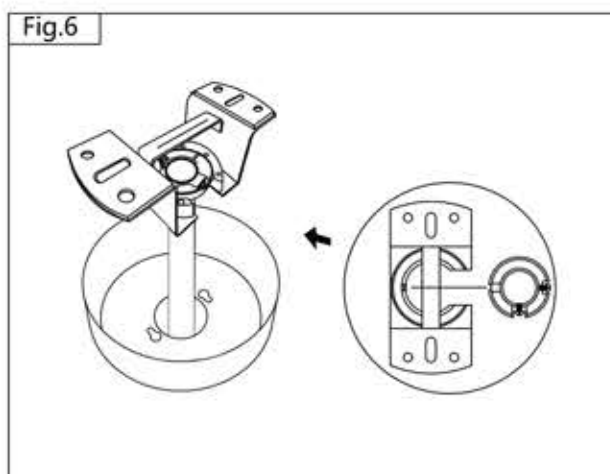
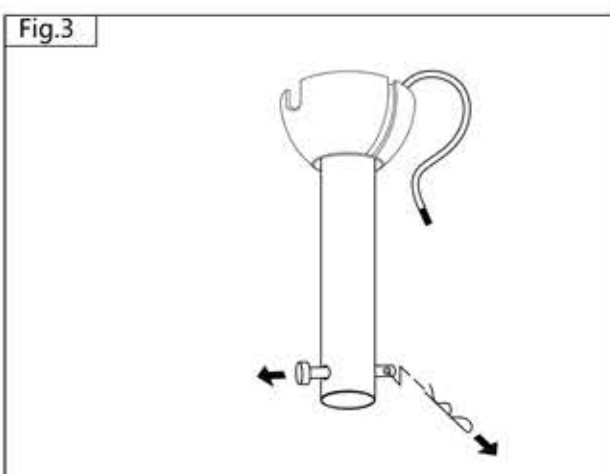
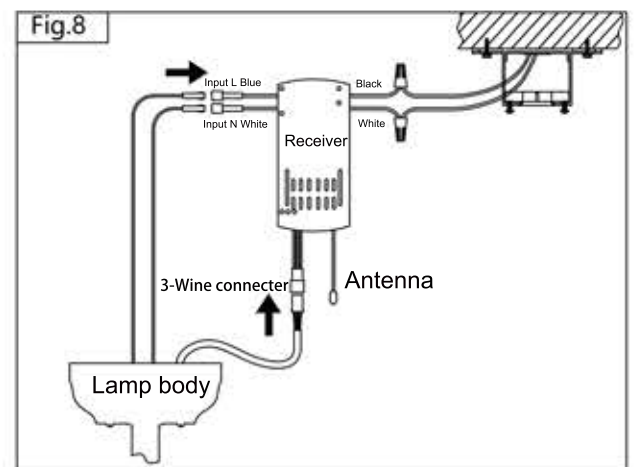
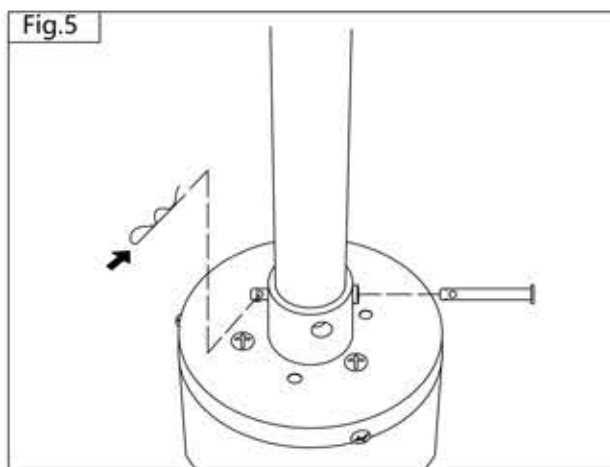
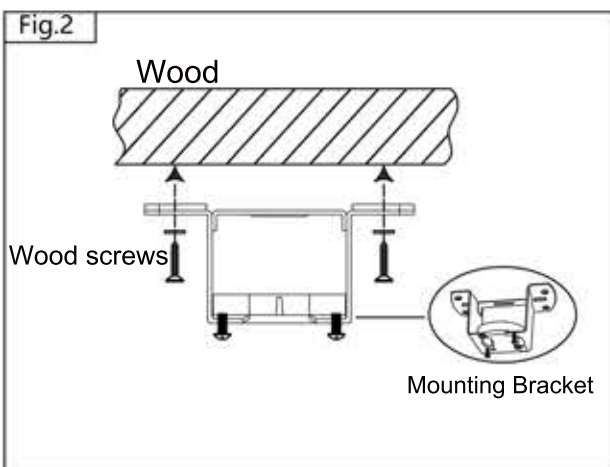
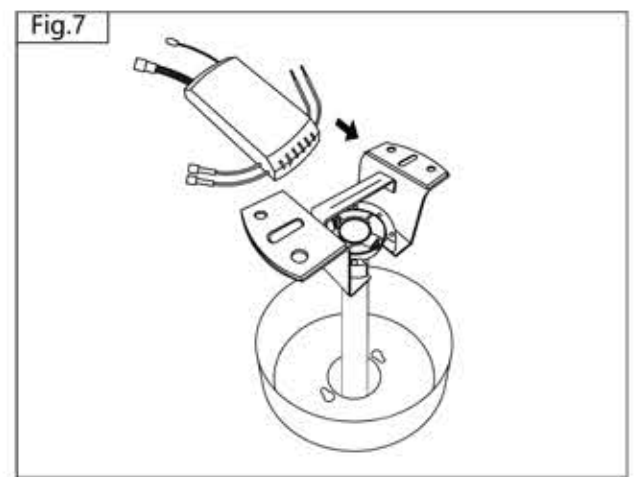
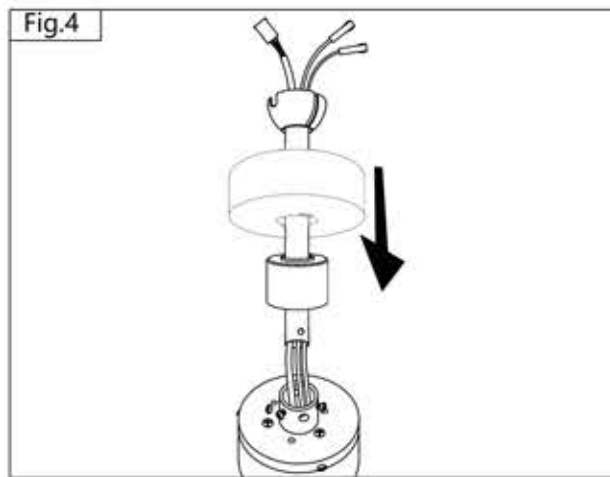
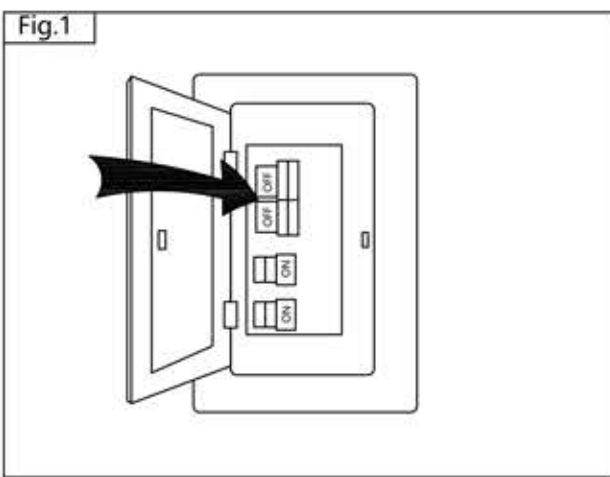


Installation Instructions

Step1 MOUNTING

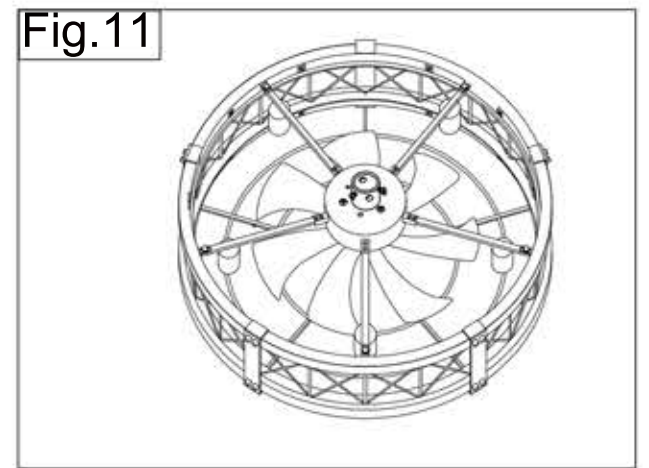
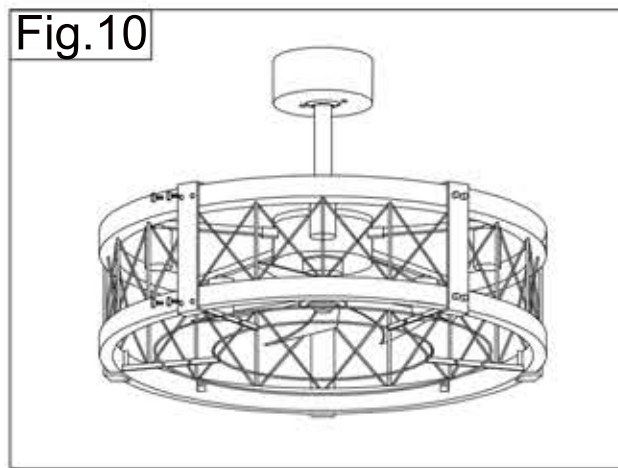
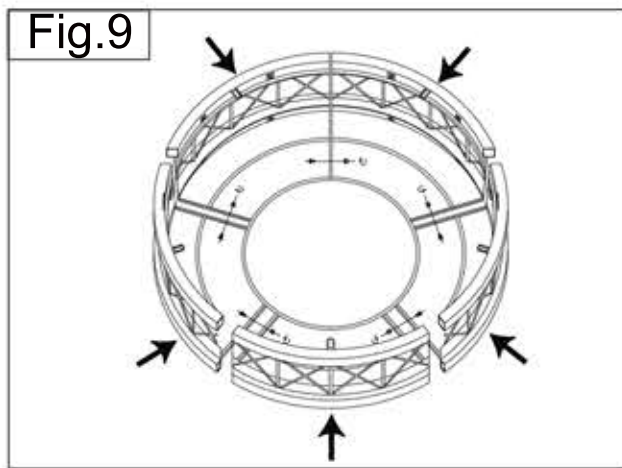
- 1: Turn off the electric circuit at the main fuse or circuit breaker box.
- 2: Use wood screws to fix the bracket for a wooden or false ceiling.
- 3: Take out the downrod pin from the 8" downrod assembly.
- 4: Assemble the canopy and coupling cover as shown in the figure, thread the light fixture wire through the downrod.
- 5: Insert the downrod pin into the side hole of yoke, lock it with the downrod clip, and then tighten the two side screws.
- 6: Lift the assembled fan body onto the mounting bracket, ensure the concave groove of the hanger ball is positioned on the hanger lug of the mounting bracket.
- 7: Insert the receiver into the mounting bracket.
- 8: Connect the wires between the controller and the fan motor: white to white wire, black to black wire, and connect the 3-pin wire connector,

CAUTION: To ensure wobble-free operation and to avoid damage to the fan, the downrod and the set screws must be completely tightened.



Installation Instructions

Step2 INSTALL MOUNTING BRACKET



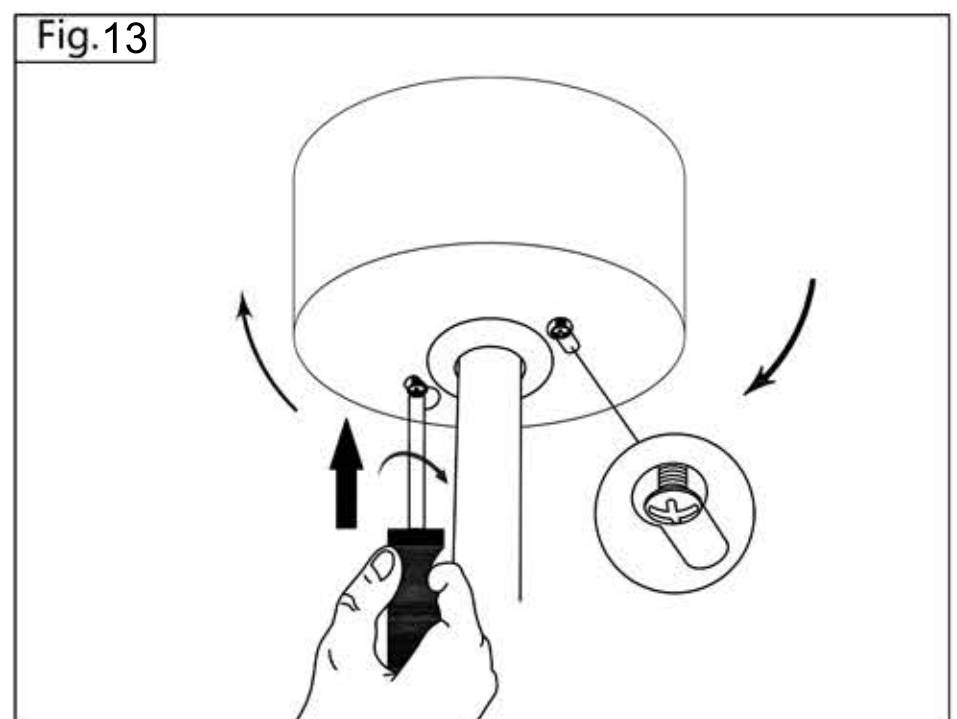
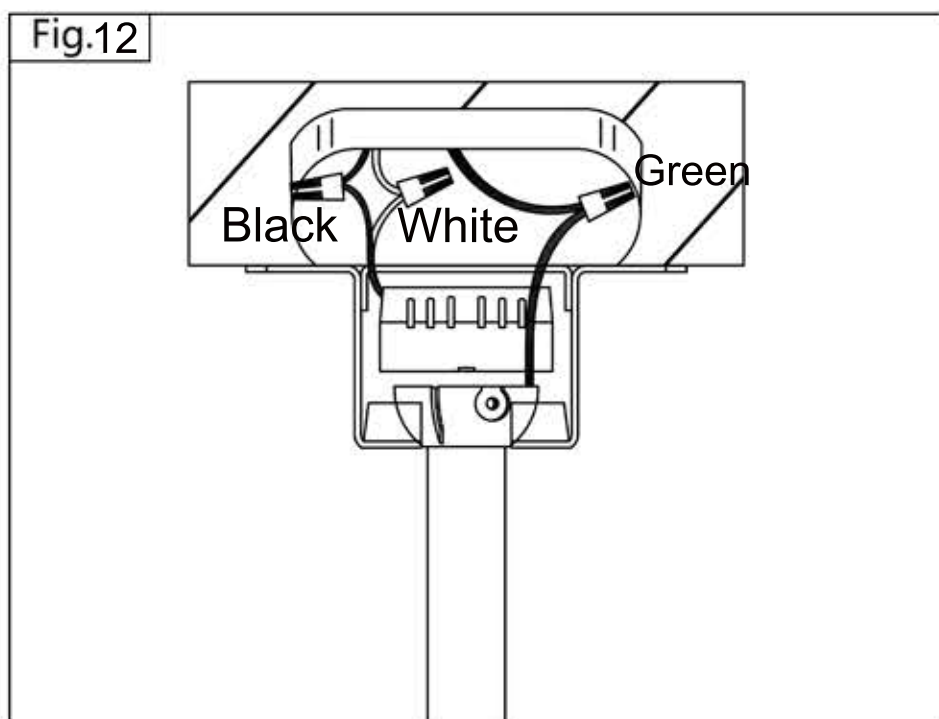
9: Move inward while aligning the edges of the frame knockdown.

10: Attach the connecting component to the frame knockdown, then use 4 side screws to assemble the lamp frame, and use 2 bottom screws and nuts to connect the two part frames together.

When installing one side of the frame, do not tighten the screws, you need to give space for the screws to screw into the hole. Once all 4 screws are installed in, tighten them. Same as above for the other side.

11: Attach the Connecting component to the Frame knockdown, then use 4 side screws to

Step3 INSTALL MOUNTING BRACKET



wiring:

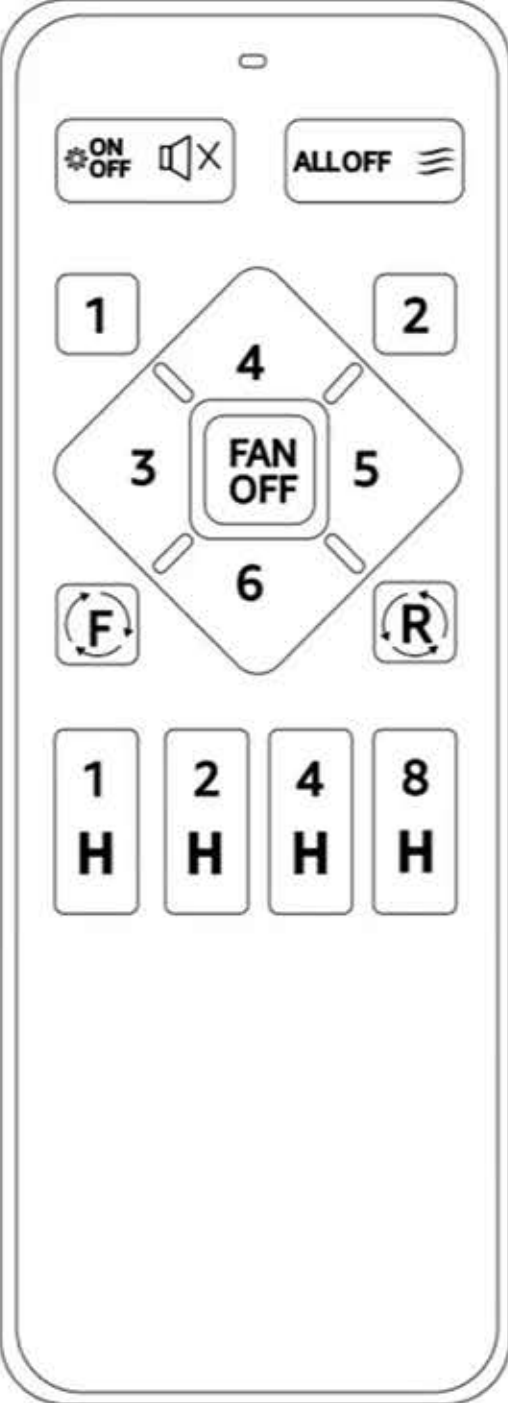




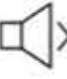
12: Connect the "Neutral Wire" <White wire> from ceiling to the white wire.

Connect the "Live Wire" <black wire> from ceiling to the black wire.

Connect the "Ground wire" < green or yellow/green or bare > from ceiling to the green wire.

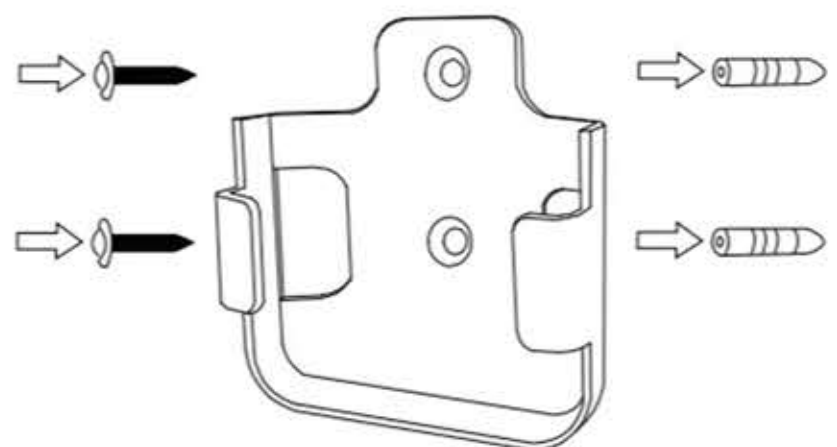
13: Push the canopy cover upward, align it with the two screws from step one. rotate and tighten the screws to secure the canopy cover.

Remote Control

 <p>Battery: 2*1.5VAAA(not included)</p>	ALLOFF 1-6 Fan Off   	Light & Fan all OFF Fan Speed Fan Off Forward Reverse Natural Wind
	 	Light On/Off Remote Controller Mute
	1H 2H 4H 8H	Fan stop & light off after 1 hour Fan stop & light off after 2 hours Fan stop & light off after 4 hours Fan stop & light off after 8 hours

Wall Plate Installation

Attach wall plate using the two screws provided.



Troubleshooting Guide

<p>If Fan Does Not Start</p>	<ol style="list-style-type: none"> 1. Check the main and branch circuit fuses or circuit breakers. 2. Ensure that the wall control is turned "ON", do not use dimmer switch. 3. Check the line wire connections to the fan and switch wire connections in the switch housing. <p>CAUTION: Make sure to turn off the main power before making any electrical connections.</p>
<p>If The Fan Sounds Noisy</p>	<ol style="list-style-type: none"> 1. Make sure all screws in the motor housing are snug (not over tightened). 2. Check that wire connectors in the switch housing are not rattling against each other or the interior wall of the switch housing. CAUTION: Turn off the main power before entering the switch housing. 3. Ensure that the screws securing are tight. Make sure the light bulb is tight in the socket and not touching the lamp frame or blades. 4. Note that some fan motors are sensitive to signals from Solid State variable speed controls. DO NOT USE a Solid State variable speed control. 5. Allow a "break-in" period of 24 hours. Most noises associated with a new fan will disappear after this period.
<p>If Fan Wobbles</p>	<ol style="list-style-type: none"> 1. Check that all blades are screwed firmly into blade holders. 2. Make sure that the canopy and mounting plate are tightened securely to the ceiling junction box, and the junction box is mounted firmly to the ceiling joist. 3. Ensure the concave groove of the hanger ball is positioned on the hanger lug of the mounting bracket.
<p>If Light Does Not Work</p>	<ol style="list-style-type: none"> 1. Check the black wiring of motor to receiver, and receiver to AC input. 2. Check for loose or disconnected wires in the fan switch housing. 3. Check for loose for light bulbs. 4. Check for faulty light bulbs, make sure the light bulb is AC120V and E26 medium base. <p>CAUTION: Make sure the main circuit is turned off before entering the switch housing.</p>
<p>Remote Does Not Work</p>	<ol style="list-style-type: none"> 1. Battery out of power or not installed correctly; change new AAA battery and ensure well installed. 2. Remote controller not paired, make new pairing with light.