

SONANCE

SONANCE SOUNDBARS

SB46-55 | SB46-65 | SB46-75 | SB46-85



SOUNDBAR FEATURES

AESTHETICS

Perfectly tailored soundbars to seamlessly match the width of large flat panels

Discreet and minimalistic industrial design blends-in with most flat screen displays

Aircraft-grade extruded aluminum chassis and powder coated single-piece metal grille will not buckle, distort or discolor over time

PERFORMANCE

3-way speaker design featuring coaxial midrange and tweeter plus dual high-excursion woofers for crystal clear dialog, precise detail and wide sound stage

Pair with Sonance surround speakers and a Sonance subwoofer for perfect results

INSTALLATION

Supplied with hardware for VESA TV mount, wall mount or table top

SONANCE SOUNDBAR

SB46-55 | SB46-65 | SB46-75 | SB46-85

Dimensions

SB46-55

For 55" Displays:

Width: 48" (1219.2mm)
Height: 5.27" (134mm)
Depth: 2.58" (65mm)

SB46-75

For 75"-77" Displays:

Width: 65" (1651mm)
Height: 5.27" (134mm)
Depth: 2.58" (65mm)

SB46-65

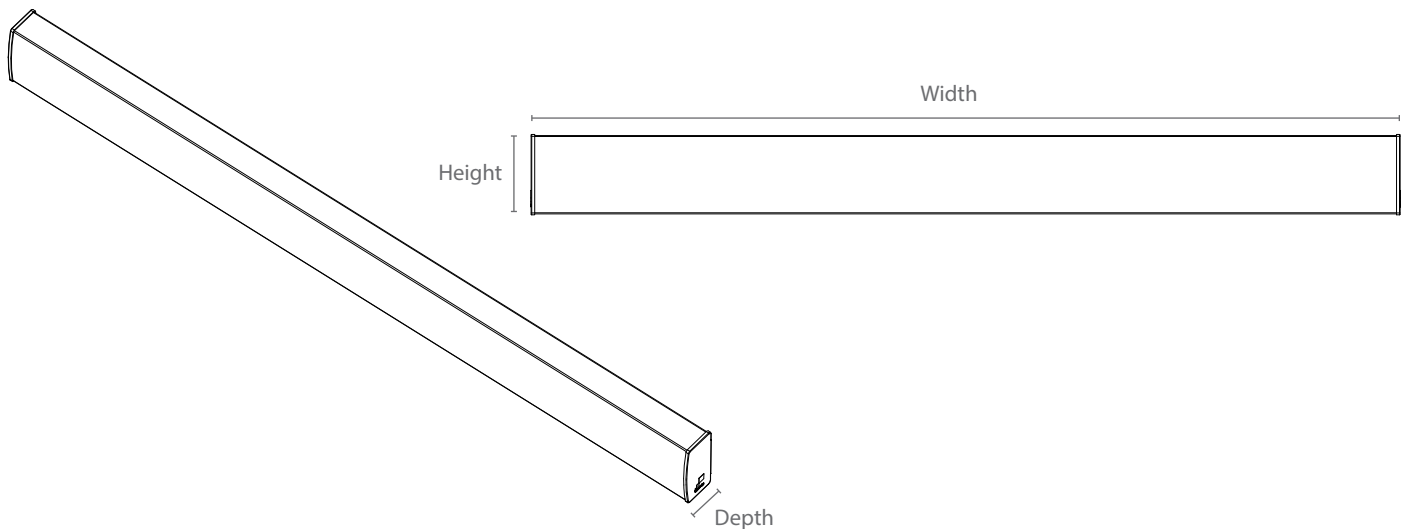
For TV 65" Displays:

Width: 56.25" (1428.8mm)
Height: 5.27" (134mm)
Depth: 2.58" (65mm)

SB46-85

For TV 85" Displays:

Width: 73.75" (1873.3mm)
Height: 5.27" (134mm)
Depth: 2.58" (65mm)



Specifications

Model:	SB46-55	SB46-65	SB46-75	SB46-85
SKU:	93425	93426	93427	93428
Unit of Measure:	Each	Each	Each	Each
Display Size:	55" diagonal	65" diagonal	75"-77" diagonal	85" diagonal
Tweeter:	Three 1" (25mm) powder coated aluminum domes, Ferrofluid-cooled, chambered			
Midrange:	Three 4" (102mm) Kevlar / Nomex laminated cones with rubber surrounds			
Woofer:	Six 4 1/2" (114mm) Kevlar / Nomex laminated cones with rubber surrounds			
Frequency Response:	90Hz - 20kHz +/-3dB			
Recommended Power:	50 watts minimum; 150 watts maximum			
Grille Material:	Powdered coated metal grille			
Shipping Weight:	27.09lbs (12.3kg)	28.63lbs (13kg)	34.07lbs (15.47kg)	35.57lbs (16.15kg)

LIMITED FIVE (5) YEAR WARRANTY

Sonance warrants to the first end-user purchaser that this Sonance-brand product ("Product"), when purchased from an authorized Sonance Dealer/Distributor, will be free from defective workmanship and materials for the period stated above. Sonance will, at its option and expense, either repair the defect or replace the Product with a new or remanufactured Product or a reasonable equivalent. **Please visit our website and owner's e-Manual for complete warranty and exclusion information.**

©2019 Sonance. All rights reserved. Sonance is a registered trademark of Dana Innovations.

Due to continuous product improvement, all features and specifications are subject to change without notice. For the latest Sonance product specification information visit our website: www.sonance.com

991 Calle Amanecer • San Clemente, CA 92673 USA • (949) 492-7777 • FAX: (949) 361-5151 • Technical Support: (949) 492-7777 06.30.2025