

DA 6996 W Pearl

Wall ventilation hood

with dimmable ambient lighting for a unique lighting mood in your kitchen.



- Design highlight – 35 1/2 (900) in (mm) wide bowed glass canopy
- Unique convenience – Con@ctivity 2.0
- Energy-efficient and uniform lighting – LED light strip
- Energy-efficient and quiet

EAN: 4002515780381 / Material number: 10418850 /
Old Material Number: 28699630USA

General information	
Design	
Wall ventilation hood	•
Operating modes	
Recirculated mode	Can be retrofitted
Design	
Color	Brilliant white
Edge extraction	•
User convenience	
Automatic function	Con@ctivity 2.0
Electronic controls	•
Operation	Light-touch sw.w.LEDs+r. contr.
Power levels (number excl. Intensive)	3
Booster levels	1
Delayed shutdown for 5 or 15 minutes	•
Grease filter saturation indicator	•
Active charcoal filter saturation indicator	•
Efficiency and sustainability	
AC motor	•
Cleaning convenience	
Easy-to-clean canopy interior – CleanCover	•
Filter system	
Number of dishwasher-safe stainless steel grease filters (10-ply)	1
Lighting	
Number x W	1x9,7 W / 1x12,8 W
Light intensity in Lx	600 lx
Color temperature in K	3000 Kelvin
Light dimmer function	•
Ambient lighting white	•
Blower	
Dual-action blower	•
Exhaust air	
Air throughput	Values upon request
Safety	
Safety shut-off	•
Single-ply safety glass (ESG)	•
Technical data	
Canopy width in in.(mm)	35 1/2 (900)
Overall hood height for vented mode and external in inches (mm)	23 (583)
Overall height for recirculation mode ventilation hoods in mm	23 (583)
Overall min. height for vented and external in in. (mm)	23 (583)
Overall max. height for vented and external in in. (mm)	23 (583)
Canopy height in in.(mm)	23 (583)
Overall min. height for recirculation in in. (mm)	23 (583)
Canopy depth in in.(mm)	21 1/4 (537)

DA 6996 W Pearl

Wall ventilation hood

with dimmable ambient lighting for a unique lighting mood in your kitchen.



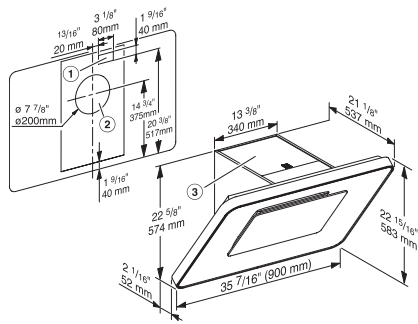
EAN: 4002515780381 / Material number: 10418850 /
Old Material Number: 28699630USA

Overall max. height for recirculation in in. (mm)	23 (583)
Net weight in lbs. (kg)	62 (28.0)
Length of electrical wire in ft (m)	4 (1.5)
Standard plug fitted	•
Hard-wired	•
Number of phases	1
Total connected load in kW	0.37
Voltage in V	120
Fuse rating in A	15
Frequency in Hz	60
Installation note	
Vent connection at top	•
Vent connection at rear	•
Vent connection at top and rear	•
Diameter of vent connection in in.(mm)	6 (150)
Standard accessories	
Non-return flap	•
Reducer from 150 to 125 mm Ø	•
Communication module for Con@ctivity XKM 2000 DA	XKS 3000 Z
Optional accessories	
OdorFree charcoal filter, can be reactivated	DKF 25-R
Duct Cover	DADC 6000

DA 6996 W Pearl

Wall ventilation hood

with dimmable ambient lighting for a unique lighting mood in your kitchen.



DA 6998 W (Installation drawing) – USA

1) Cut-out for cooker hoods with hard-wired connection rather than a plug, 2) Opening for ducting connection at the back. Vent Connection alternatively to the top, 3) Ventilation grille positioned at the top for recirculation. A distance of at least 200 mm must be maintained between the top of the appliance and the ceiling or any furniture units installed above the appliance.