

Slim Rear View Camera

INSTRUCTION MANUAL

- * Model VTL275 VTL375
 VTL405 VTL425
 VTL275HD VTL375HD
 VTL405HD VTL425HD



Do not display a direct view of the sun for long periods.

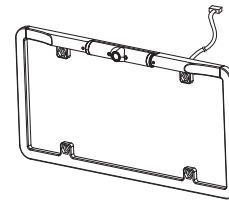
♣ A burned image could remain on the screen.

Table of contents

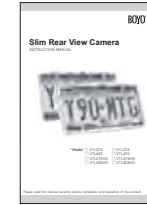
1. Package -----	3~4
2. Limited time warranty -----	5
3. Care instructions -----	5
4. Key Features -----	5
5. Dimension(inch) & Wiring -----	6~7
6. Specification -----	8

1. Package

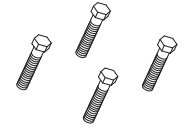
1-1. VTL275 / VTL375 / VTL275HD / VTL375HD



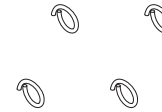
Slim Rear View Camera
1EA



Instruction manual
1EA



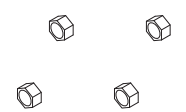
M6 Hex bolt
4EA



Spring washer
4EA



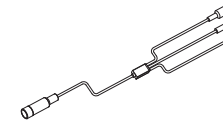
Plate washer
4EA



M6 Hex nut
4EA



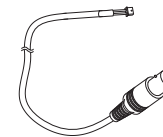
1.5Ø L-Wrench
1EA



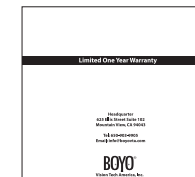
Adaptor cable
1EA



6Ø Tube
1EA



23ft Extension cable
1EA



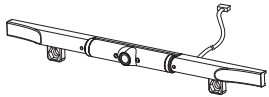
Warranty card
1EA



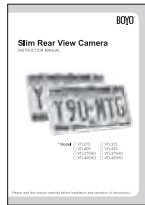
Registration card
1EA

1. Package

1-2. VTL405 / VTL425 / VTL405HD / VTL425HD



Slim Rear View Camera
1EA



Instruction manual
1EA



M6 Hex bolt
2EA



Spring washer
2EA



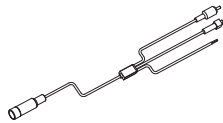
Plate washer
2EA



M6 Hex nut
2EA



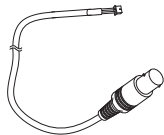
1.5Ø L-Wrench
1EA



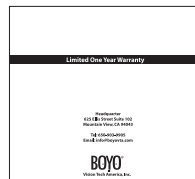
Adaptor cable
1EA



6Ø Tube
1EA



23ft Extension cable
1EA



Warranty card
1EA



Registration card
1EA

2. Limited time warranty

Limited time warranty applies only if care instructions are followed regularly.
In the event of defective product or workmanship, please return the item to place of purchase.

3. Care instructions

Periodically when the frames appearance need maintenance, please take following action to restore its original brilliant luster.
Use non abrasive mild soap detergent and water only to clean.

4. Key Features

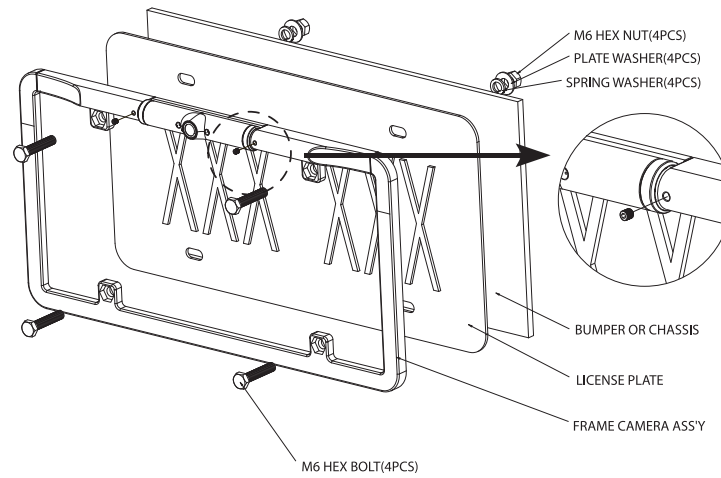
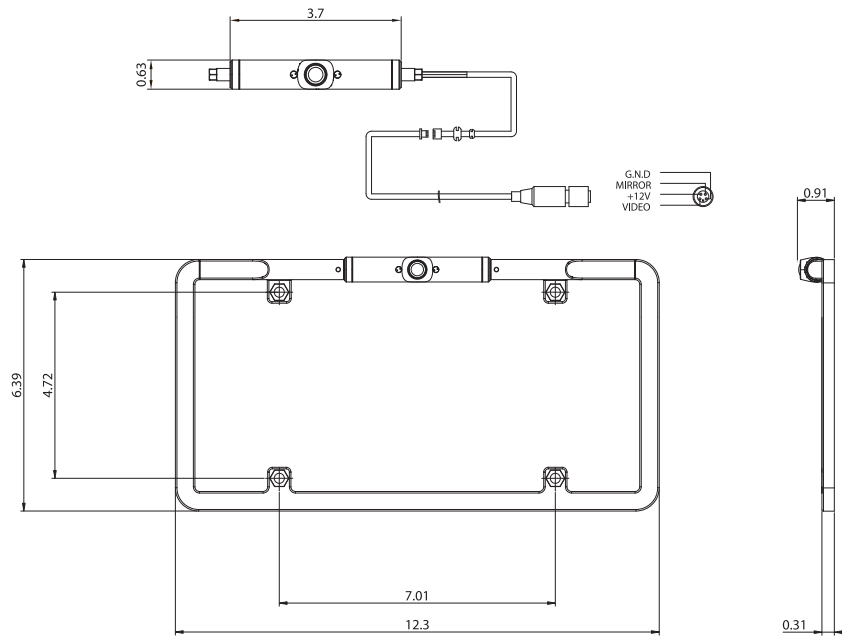
- 175° Wide viewing angle
- 380 TVL Horizontal Resolution (VTL275 / VTL375 / VTL405 / VTL425)
- 520 TVL Horizontal Resolution (VTL275HD / VTL375HD / VTL405HD / VTL425HD)
- Remarkably True Color reproduction
- Excellent Auto White Balance
- Waterproof(IP67)
- Reverse Image
- Viewing angle adjustable up & down

* Beautiful design & anti-scratch coating

The camera design matches well with the products quality.
It looks so elegant as much as the camera quality stands for.
The unique face aims to best fit to the environment decorative to any place.
It lasts its beautiful shape long time with scratch-free coating.

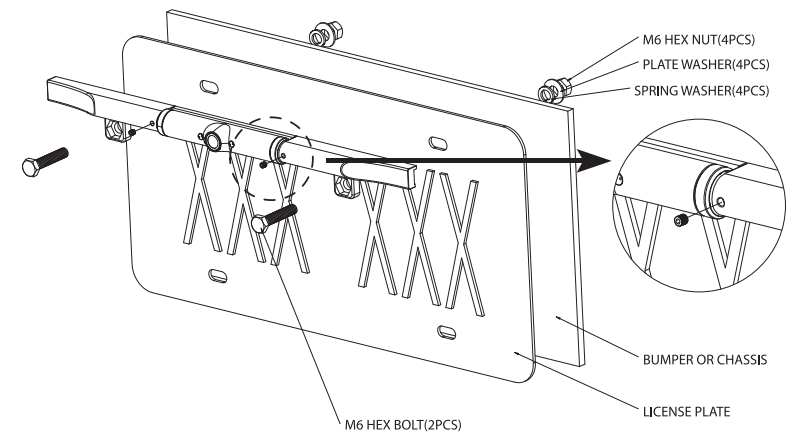
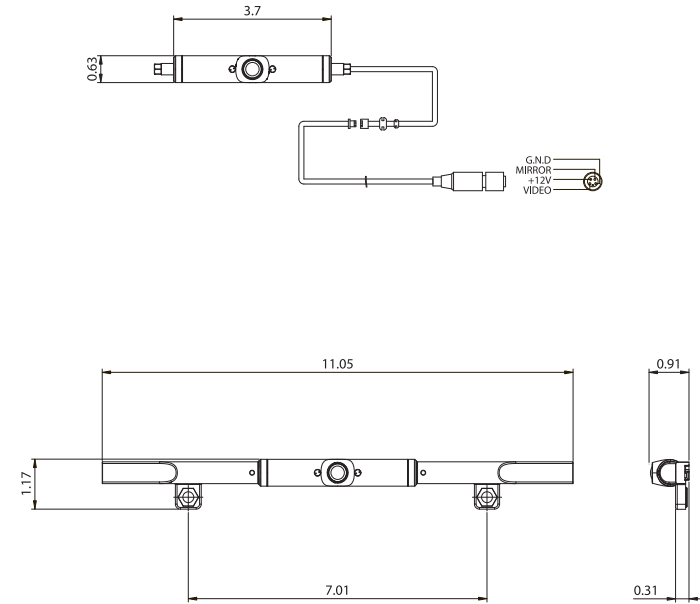
5. Dimension(inch) & Wiring

5-1. VTL275 / VTL375 / VTL275HD / VTL375HD



5. Dimension(inch) & Wiring

5-2. VTL405 / VTL425 / VTL405HD / VTL425HD



6. Specification

6-1. VTL275 / VTL375 / VTL405 / VTL425

Description	Slim Rear View Camera
Effective Pixels	NTSC : 512(H)X492(V)
Horizontal resolution	380 TV Lines
Total number of pixels	NTSC : 270K
Min.Illumination	0.3 Lux at F2.0
Synchronizing system	Internal
Scanning system	Interlaced
Video output	1Vp-p 75 ohm composite
S/N Ratio	More than 48dB
Electronic iris	1/50,1/60-1/100,000 sec
Smear effect	0.005%
Gamma correction	$\gamma = 0.45$
White balance	Auto.2100°K - 9100°K
Gain control	Auto. 4dB - 30dB
Lens mount	1.56mm Board lens (175° D)
MTBF	80,000 hours
Power source	Car Electric Source DC12V (Tolerance:7V~24V) Built-in transient impulse protection circuit
Operating current	70mA w/regulated power in
Operating Temp.	-4°F ~ 122°F (-20°C ~ +50°C)
Storage Temp.	-40°F ~ 176°F (-40°C ~ +80°C)
Humidity	Up to 90% RH (non-condensing)
Measurement	Camera Size : 3.70(L)X0.63(D) (Camera)
Weight(Approx.g)	VTL275, VTL375 : 469.5g / VTL405, VTL425 : 259.5g

6. Specification

6-2. VTL275HD / VTL375HD / VTL405HD / VTL425HD

Description	Slim Rear View Camera
Effective Pixels	NTSC : 768(H)X494(V)
Horizontal resolution	520 TV Lines
Total number of pixels	NTSC : 380K
Min.Illumination	0.1 Lux at F2.0
Synchronizing system	Internal
Scanning system	Interlaced
Video output	1Vp-p 75 ohm composite
S/N Ratio	More than 50dB
Electronic iris	1/50,1/60-1/100,000 sec
Smear effect	0.005%
Gamma correction	$\gamma = 0.45$
White balance	Auto.2100°K - 9100°K
Gain control	Auto. 4dB - 30dB
Lens mount	1.56mm Board lens (175° D)
MTBF	80,000 hours
Power source	Car Electric Source DC12V (Tolerance:7V~24V) Built-in transient impulse protection circuit
Operating current	70mA w/regulated power in
Operating Temp.	-4°F ~ 122°F (-20°C ~ +50°C)
Storage Temp.	-40°F ~ 176°F (-40°C ~ +80°C)
Humidity	Up to 90% RH (non-condensing)
Measurement	Camera Size : 3.70(L)X0.63(D) (Camera)
Weight(Approx.g)	VTL275HD, VTL375HD : 469.5g / VTL405HD, VTL425HD : 259.5g

MEMO

MEMO

MEMO

MEMO

MEMO

MEMO
