

KEY FEATURES

- Black Ceramic Glass
- LCD Display
- 6kW Dual Center Burner
- SmartDiagnosis™
- ENERGY STAR® Certified
- ThinQ®



Control

Angel View

ThinQ App

PRODUCT FEATURES

SUMMARY		SMART FEATURES	
Type	36" Induction Cooktop	ThinQ® (Wi-Fi Enabled)	Yes
No. of Burners	5	ThinQ Up	Yes
Color	Black	Check & Control	No
COOKTOP FEATURES		Voice Control	No
Cooktop Burner Type	Induction	Smart Recipe (3rd Party Recipe App)	No (ThinQ Up Recipe only)
No. of Burners	5	Proactive Customer Care	Yes
Burner/Watts - Left Rear	1850 / 3700 (8 1/2" x 7 1/8")	SmartDiagnosis™	Yes
Burner/Watts - Right Rear	1400 / 1800 (6")	NFC Tag On	No
Burner/Watts - Left Front	1850 / 3700 (8 1/2" x 7 1/8")	ENERGY	
Burner/Watts - Right Front	1850 / 3700 (8 3/16")	ENERGY STAR® Certified	Yes
Center (Watts)	3700 / 6000 (11 1/8")	Energy Consumption (kWh/Year)	189
Burner/Watts - Left Flex	3300 / 3700 (8 1/2" x 14 3/16")	DIMENSIONS / CLEARANCES/ WEIGHT	
Cooktop Finish	Black Ceramic Glass	Product Dimensions (WxHxD)	36 5/8" x 3 11/16" x 21 1/16"
CONTROL		Cut-Out (WxHxD)	33 7/8" x 5 3/4" x 19 1/8"
Cooktop Control Type	Glass Touch (SmoothTouch™)	Packing (WxHxD)	39 9/16" x 5 7/16" x 24 5/16"
Display	LCD (6.86")	Product Weight (lbs)	48.68 lbs (22.08 kg)
Power Level Settings	9/17 Level + Simmer/Melt (1 Level)	Shipping Weight (lbs)	55.69 lbs (25.26 kg)
Control Location	Front-Center	LIMITED WARRANTY	
POWER AND RATING		Parts and Labor	2 Year
Amp at 208/240V	41.6 A / 44.4 A	UPC CODE	
kW at 208/240V	8.650 kW / 10.650 kW	CBIU3639BE	048231349987
Requirements	208 / 240 VAC 60Hz		
APPEARANCES			
Available Colors	Black		
ACCESSORIES			
Broiler Pan	No		
Griddle	No		
Meat Probe	No		
Heavy Duty Rack	No		
Gliding Rack	No		
Cook Book	No		
Spray Bottle	No		

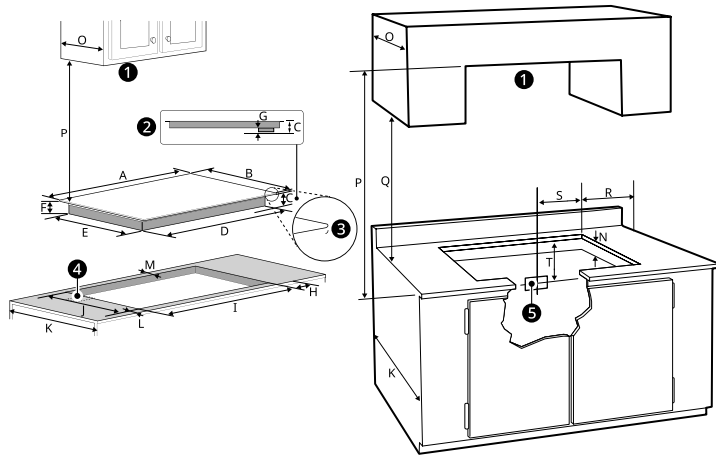
CBIU3639BE

36" Induction Cooktop

QUICK INSTALL & CLEARANCES

For full installation directions/clearances please refer to the corresponding User Manual and Installation Guide.

PRODUCT DIMENSIONS



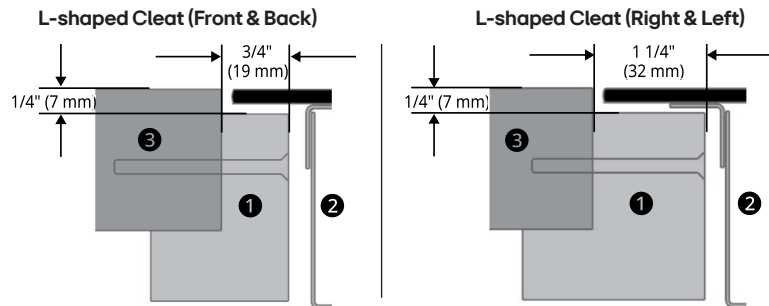
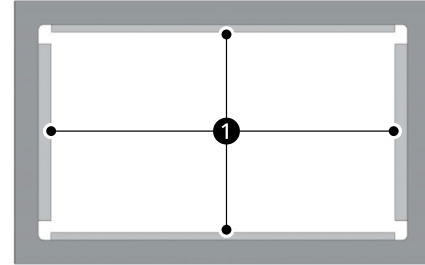
- ❶ Do not obstruct these areas
- ❷ Right Side
- ❸ Radius: 3/8" (10mm)
- ❹ 4"x8" (102mm x 203mm) opening to route armored cable if panel is present
- ❺ Approximate location of junction box

DIMENSION / CLEARANCE	36" Cooktop (Standard Installation)
A Width of upper plate	36 5/8" (930 mm)
B Depth of upper plate	21 1/16" (535 mm)
C Distance from bottom of upper plate to bottom of conduit	3 9/16" (90 mm)
D Width of cooktop base	33 1/2" (851mm)
E Depth of cooktop base	18 13/16" (477mm)
F Distance from bottom of upper plate to bottom of cooktop base	2 7/16" (61mm)
G Height of conduit	1 1/8" (29mm)
H Distance from side edge of cutout to side of counter	1 1/8" (28mm)
I Width of cutout	≥33 7/8" (860 mm) ≤33 15/16" (863mm)
J Depth of cutout	≥19 1/8" (486 mm) ≤19 3/16" (488mm)
K Depth of bottom cabinets	23 1/8" (593mm)
L Distance from front of counter to front edge of cutout	≥2 3/16" (55mm)
M Distance from rear edge of cutout to nearest combustible surface	≥2 1/16" (52mm)
N Height below cutout (Empty space is needed underneath the cooktop for optimum performance.)	≥5 3/4" (146mm)
O Depth of overhead cabinets	≤13" (330mm)
P Clearance from top of cooking surface to bottom of overhead cabinets	≥30" (762mm)
Q Clearance from top of cooking surface to bottom of overhead cabinets	≥36" (914mm)
R Clearance from countertop to bottom of adjacent cabinets	≥18" (457mm)
S Distance from edge of cooktop to nearest combustible wall (either side of unit)	≥2" (50mm)
T Junction box (approximate location)	12" (305mm)
U Junction box (approximate location)	10" (254mm)

INSTALLATION

Cleft Option

For this installation, the countertop cut-out will be the same size as the outer edge of the cooktop glass. Attach L-shaped support cleats ❶ to the perimeter of the countertop cut-out. The top edge of the cleft will be attached 1/4" (7 mm) below the surface of the countertop. Refer to the illustration below. Attach the cleats to the countertop. Consult a countertop supplier for proper methods of attachment.



- ❶ L-Shaped Support Cleat
- ❷ Cooktop
- ❸ Counter Top - All dimensions are stated in inches and millimeters (mm).

Allow 2" (50 mm) below the armored cable opening to clear the electric cable and allow space for installation of the junction box on the wall at the back of the cooktop.
Thickness of glass: 3/16" (4 mm)

CAUTION

- To eliminate the risk of burns or fire by reaching over heated surfaces, cabinet storage space located above the cooktop should be avoided. If cabinet storage is provided, risk can be reduced by installing a range hood that projects horizontally a minimum of 5" (127 mm) beyond the face of the cabinets.
- It is very important to keep 3 5/16" (85 mm) distance between the cooktop and a drawer or oven ❶ underneath it.

