

LSSE3027ST / LSSE3030BD

6.3 cu. ft. Electric Slide-in Range



ProBake Convection®

EasyClean®

6.3 cu. ft. Large Capacity

0.8 cu. ft. Warming Drawer

3200W Power Burner

Front-Tilt Control Display

Glass Touch Controls

2 Year Limited Warranty

| CAPACITY | |
|---------------------------------------|---|
| Oven Capacity (cu. ft.) | 6.3 |
| Warming Drawer Capacity (cu. ft.) | 0.8 |
| COOKTOP | |
| Type | Radiant |
| No of Radiant Elements | 5 (1 dual, 1 triple) |
| Element Size/Wattage - Left Rear | 6" - 1,200W |
| Element Size/Wattage - Right Rear | 6" - 1,200W |
| Element Size/Wattage - Left Front | 9" 6" - 3,200W / 1,400W |
| Element Size/Wattage - Right Front | 12" 9" 6" - 3,000W / 2,200W / 1,100W |
| Center (Warming Zone) | 7" - 100W |
| Cooktop Finish | Black Ceramic Glass |
| Hot Surface LED Indicator | Yes |
| OVEN FEATURES | |
| Broil Element (Watt) | Inner: 1,600W Outer: 2,400W |
| Convection (Watt) | 2,500W |
| Convection Fan | Dual Speed (High/Low) |
| Convection System/Mode/Cooking System | ProBake Convection® |
| Oven Cooking Modes | Bake, Broil, Speed Broil, Convection Bake, Convection Roast, Speed Roast, Warm, Proof |
| Oven Control Features | Glass Touch |
| EasyClean® | Yes |
| Self Clean | Yes |
| GoCook Smart Oven Light | Yes |
| No. of Rack Positions | 7 |
| Door Lock | Yes |
| Automatic Safety Shut-Down | After 12 hours |
| DRAWER FEATURES | |
| Type | Warming |
| Levels | 3 |
| Time Control | Yes |
| CONTROL | |
| Cooktop Control Type | Front Tilt-Control Knobs |
| Oven Control Type | Glass Touch |
| Display | VFD (White/Red) |
| Language | English |
| Clock | 12 hr or 24 hr (option) |
| Kitchen Timer | Yes |
| Timed Cook | Yes |
| Temperature Unit of Measure | °F or °C |
| Cooking Complete Reminder Volume | 1. High 2. Low 3. Mute |
| Sabbath Mode | Yes |

| APPEARANCE | |
|---|--|
| All Available Colors | Stainless Steel, Black Stainless Steel |
| Handle/Knobs | LSSE3027ST : Stainless Steel Finish (Aluminum) LSSE3030BD : Black Stainless Steel Finish (Aluminum) |
| Knobs | Front Tilt-Control Knobs |
| Scratch Resistant | Yes (Black Stainless Only) |
| PrintProof Finish™ | Yes (Black Stainless Only) |
| SMARTTHINQ® | |
| Wi-Fi Connectivity | Yes |
| SmartThinQ® | Yes |
| SmartThinQ® with Innit and SideChef | Yes |
| DIMENSIONS / CLEARANCES / WEIGHT | |
| Shipping Weight (lbs) | 216.1 |
| Product Weight (lbs) | 165.6 |
| Cabinet Width (in) | 30" |
| Overall Depth (in) - including handle | 28 15/16" |
| Overall Height (in) | 37 1/10" |
| Overall Width (in) | 29 15/16" |
| Oven Interior Dimensions (in) (W x H x D) | 24 13/16" x 21 5/16" x 19 3/4" |
| Height to Cooking Surface (in) | 36" |
| Carton Dimensions (in) (W x H x D) | 32 1/2" x 45 1/2" x 30 1/2" |
| POWER/RATINGS | |
| Amp Rating at 208V | 50.5A |
| Amp Rating at 240V | 56.3A |
| KW Rating at 208V | 10.5kW |
| KW Rating at 240V | 13.5kW |
| ACCESSORIES | |
| Gliding Rack | 1 |
| Standard Rack | 2 |
| Spray Bottle | Yes |
| Scouring Pad | Yes |
| Cooktop Cream/ Cleaner | 1 |
| LIMITED WARRANTY | |
| Parts & Labor | 2 Year Parts & Labor |
| UPC CODES | |
| LSSE3027ST (Stainless Steel) | 048231340908 |
| LSSE3030BD (Black Stainless Steel) | 048231340915 |

LSSE3027ST / LSSE3030BD

6.3 cu. ft. Electric Slide-in Range



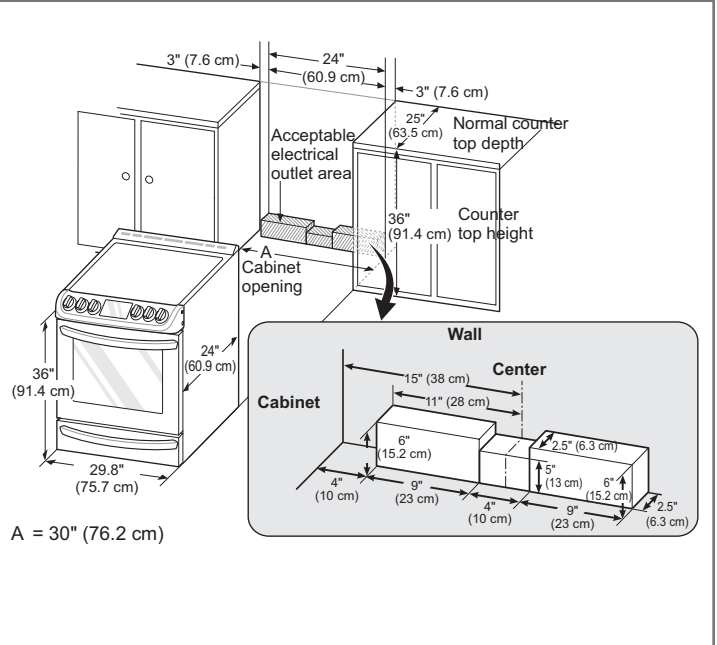
QUICK INSTALL & CLEARANCES

For full installation directions/clearances please refer to the corresponding User Manual and Installation Guide.

DIMENSIONS/CLEARANCES/WEIGHT

| | |
|---|--------------------------------|
| Cabinet Width (in) | 30" |
| Overall Depth (in) - including handle | 28 15/16" |
| Overall Height (in) | 37 1/10" |
| Overall Width (in) | 29 15/16" |
| Oven Interior Dimensions (in) (W x H x D) | 24 13/16" x 21 5/16" x 19 3/4" |
| Height to Cooking Surface (in) | 36" |
| Carton Dimensions (in) (W x H x D) | 32 1/2" x 45 1/2" x 30 1/2" |
| POWER/RATINGS | |
| Amp Rating at 208V | 50.5A |
| Amp Rating at 240V | 56.3A |
| KW Rating at 208V | 10.5kW |
| KW Rating at 240V | 13.5kW |

DIMENSIONS AND CLEARANCES



ELECTRICAL REQUIREMENTS

- **This appliance must be installed and grounded on a branch circuit by a qualified technician in accordance with the National Electrical code ANSI/NFPA NO. 70 - latest edition.**
- All wiring should conform to Local and NEC codes. This range requires a single-phase, 3 wire, A.C 120/208 V or 120/240 V 60 Hz electrical system. Use only a 3-conductor or a 4-conductor UL - listed range cord with closed-loop terminals, open-end spade lugs with upturned ends or similar termination. Do not install the power cord without a strain relief.
- A range cord rated at 40 amps with 120/240 minimum volt range is required. If a 50 amp range cord is used, it should be marked for use with 13/8" diameter connection openings. This appliance may be connected by means of a conduit or power cord. If a conduit is being used, check the Owners Manual for 3 wire conduit connections or 4 wire conduit connections.

Specified power-supply-cord kit rating

| Range rating, watts | | Specified rating of power supply-cord kit, amperes | Diameter (inches) of Range connection Opening | |
|-------------------------|-------------------------|--|---|---------|
| 120/240 volts 3-wire | 120/208 volts 3-wire | | Power cord | Conduit |
| 8,750 - 16,500 | 7,801 - 12,500 | 40 or 50A | 1 3/8" | 1 1/8" |
| 16,501 - 22,500 | 12,501 - 18,500 | | 1 3/4" | 1 3/8" |



4 Wire receptacle (14-50R)



3 Wire receptacle (10-50R)

⚠ WARNING

- Allow 2 to 3 ft (61.0 cm to 91.4 cm) of slack in the line so that the range can be moved if servicing is ever necessary.
- The power supply cord and plug should not be modified. If it will not fit the outlet, have a proper outlet installed by a qualified electrician.
- Using an extension cord to connect the power is prohibited. Connect the power cord and plug directly.
- Electrical ground is required on this appliance.
- Make sure that the power cord is not pinched by the range or heavy objects. Failure to do so can result in serious burns or electrical shock.

MINIMUM DIMENSIONS

- * 30" (76.2 cm) minimum clearance between the top of the cooking surface and the bottom of an unprotected wood or metal cabinet; or 24" (60.9 cm) minimum when bottom of wood or metal cabinet is protected by not less than 1/4" (6.4 cm) flame retardant millboard covered with not less than no. 28 MSG sheet steel, 0.015" (0.381 mm) stainless steel, 0.024" (0.610 mm) aluminum or 0.020" (0.508mm) copper.

- ** 15" (38.1 cm) minimum between countertop and adjacent cabinet bottom.

