

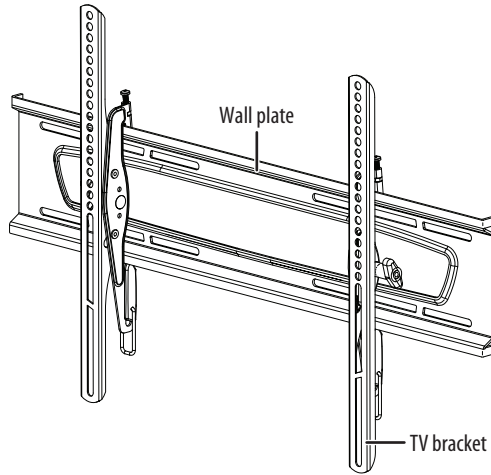


# Tilting Wall Mount for 32-90" TVs

RF-TVMLPT03V3

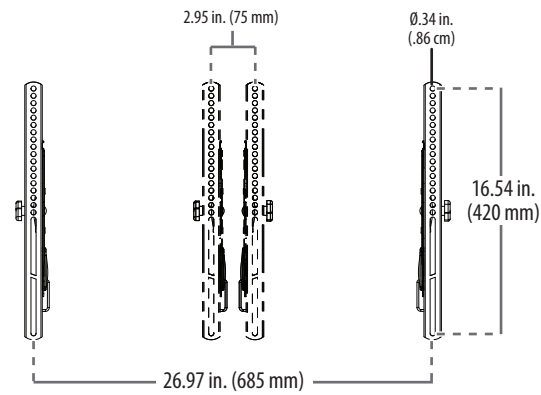
## Technical Measurement Diagrams

### FULLY ASSEMBLED 3-D

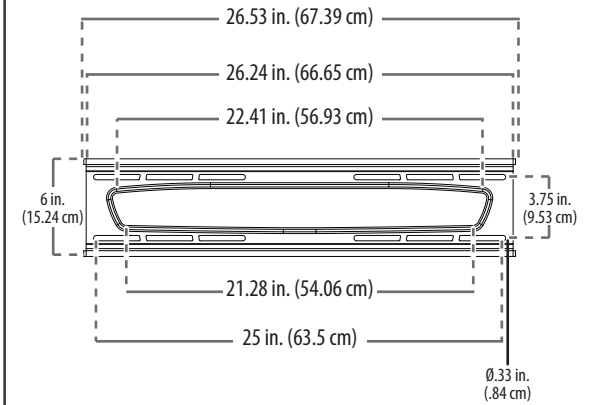


### TV INTERFACE

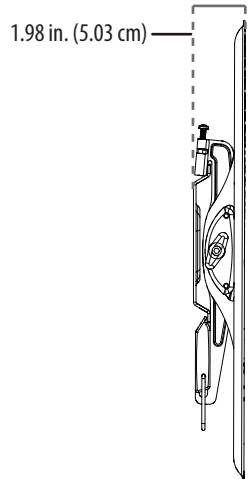
Supports VESA patterns: 75 × 75 mm to 685 × 420 mm



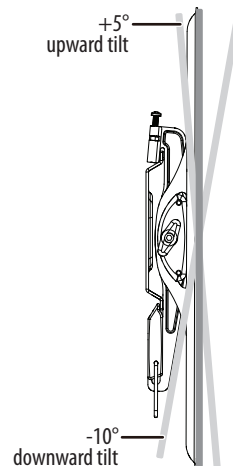
### WALL PLATE



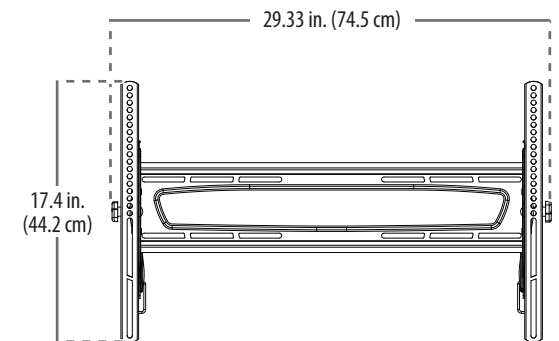
### SIDE VIEW - RETRACTED



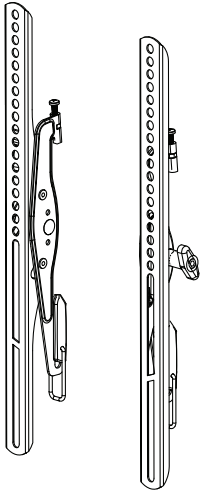
### SIDE VIEW - TILT



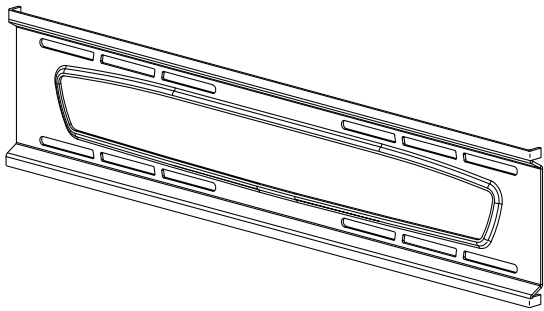
### FULLY ASSEMBLED FLAT



TV BRACKETS



WALL PLATE



FULLY ASSEMBLED

