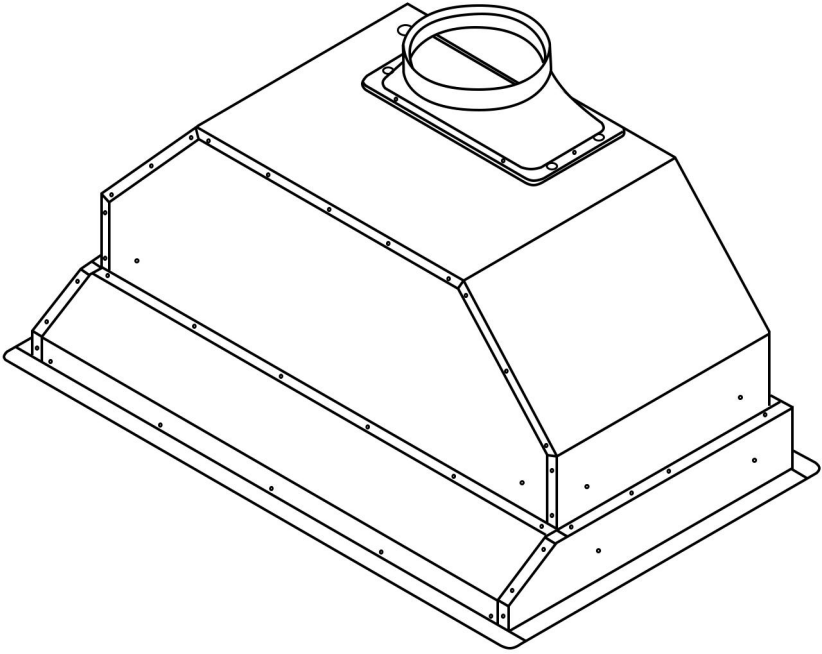


Insert / Built - in Range Hood (B Series)



Installation & User Handbook

- **Applicable Models:** B02
- **Control:** Touch/Gesture/Button/Remote
- **Version:** 2026v1

NOTICE: Read and save these instructions.
Installer: Leave this guide with the Homeowner.
Homeowner: Keep this guide for future reference.
Certification: US Intertek 5006321

Table of Contents

1. Safety Guidelines	3
1.1 General Safety Precautions	3
1.2 Electrical Safety	5
1.3 Proper Venting	6
2. Product Brief	7
2.1 How to Locate the Product Model	7
2.2 Specifications	7
2.3 B02	8
3. Installation Guide	10
3.1 Preparation	10
3.2 Installation	14
4. Operating Guide	24
4.1 Gesture Control Version	24
4.2 Touch Control Version	25
4.3 Button Control Version	26
4.4 Remote Control	27
5. Care and Maintenance	28
5.1 Filter Cleaning/Replacement	28
5.2 Cleaning Exterior Surfaces	29
5.3 Replacing the LED Lights	30
5.4 Replacing the Control Panel	31
5.5 Replacing the Circuit Board	32
6. Troubleshooting Chart	33
7. FAQ	34
8. Warranty & Customer Service	35
8.1 To Obtain Service Under Warranty	35
8.2 Warranty Coverage Periods	35
8.3 Who is Covered?	35
8.4 This Warranty Will Be Voided When	35
8.5 What is Not Covered?	36
8.6 Customer Support	36

1. Safety Guidelines

1.1 General Safety Precautions



⚠️ WARNING: Failure to strictly follow this manual may cause fire/explosion, resulting in property damage, personal injury, or death.

⚠️ Severe Injury Risk: Sharp edges present on the hood. Protective gloves are required for component removal during installation, cleaning, or servicing operations.

1.1.1 Pre-Installation

- Read and follow all safety instructions to protect your home and occupants.
- This manual provides general installation guidance. Installation is recommended to be performed by a qualified installer or licensed electrician.
- If you are not familiar with electrical wiring or ventilation systems, professional installation is strongly advised to reduce the risk of injury or property damage.
- Note that two-person installation is highly recommended due to the range hood's size and weight.
- Check if an external damper is installed at the home's exhaust exit. Retention of both the external damper and the hood's transition piece damper is permissible, but doing so will reduce suction performance. Removal of either the damper at the home's exhaust exit or the blades of the hood-supplied damper is recommended.
- Consult HVAC/installation professionals to comply with local regulations and ensure proper ventilation.
- Plan cutting/drilling work carefully to avoid damaging electrical wiring or hidden utilities.
- Prepare to clean or replace old ductwork if needed (to prevent grease fires) and ensure duct joints can be properly connected and taped/secured.
- Before installation, protect the cooktop and remove irrelevant items to prevent damage to the countertop or other objects caused by range hood falling.

1.1.2 During Installation

- Handle range hood, chimney cover, baffle filters, and accessories with care (sharp edges risk injury); wear gloves during the process.
- Ensure electrical wiring is properly installed, insulated, and grounded. Use the provided 3-prong grounded plug in a dedicated 15-amp circuit (modifying the plug or cutting the cord voids the warranty).
- Comply with NFPA 70 (National Electrical Code) or local codes for electrical work.
- For ducted range hoods, ensure they are vented outdoors or converted to recirculate air (if applicable).
- Ensure sufficient air for proper combustion and gas exhaust via ducting to prevent back drafting (consider makeup air requirements; manufacturer does not provide makeup air unit).

1.1.3 Post-Installation

- After installation, this manual should be kept by the homeowner for future reference and, if required, for inspection or service purposes.
- Use stainless steel cleaner/wipe to remove protective film residues from the range hood.
- Use this appliance only for general ventilation; DO NOT exhaust hazardous and explosive materials/vapors.
- Keep motor, fans, baffle channels, filters, tunnels, grease cups, and grease-laden surfaces clean; avoid grease accumulation and clean frequently.
- When using spray cleaners, DO NOT direct sprays at electrical wiring, motor, button panel, or LED lights.
- Disconnect power completely before servicing/cleaning to avoid electric shock/injury.
- Note that the manufacturer is not liable for damages/injuries from incorrect installation, improper use, or ignoring warnings.
- The manufacturer reserves the right to modify products without affecting core safety/operating features.
- Monitor the range hood's operation; if vented air is replaced with makeup air as required, lack of makeup air may cause poor performance due to negative pressure (consult building codes for airflow rates; some states require makeup air for high-CFM hoods).

1.2 Electrical Safety



⚠️ IMPORTANT: Comply with All Applicable Codes & Ordinances

⚠️ WARNING: Hazard of electrical shock! Disconnect power before installing or servicing.

1.2.1 Customer Responsibility

- Engage a qualified electrician.
- Ensure electrical installation meets: National Electrical Code (ANSI/NFPA 70), or CSA Standards, and local codes.

1.2.2 Pre-Installation Preparation

- Calculate key dimensions: Floor-to-ceiling distance; Countertop/stove-to-hood distance (24"-30" recommended); Hood and duct cover height.
- Keep this Installation Guide for the electrical inspector.

1.2.3 Electrical Connection Requirements

- Use copper wire/plug only for connection.
- Connect directly to fused disconnect (or circuit breaker) box via flexible armored or non-metallic sheathed copper cable.
- Install UL- or CSA-listed strain relief and conduit connector at both ends of the power supply cable (hood and junction box).
- Wire size and connections must match the appliance's rating (per model/serial label) and applicable codes (see above).
- DO NOT ground to a gas pipe; confirm proper grounding with a qualified electrician if unsure.
- DO NOT install fuses in neutral or ground circuits.

1.2.4 Duct System Installation Rules

- Terminate duct to the outside (roof or side wall); DO NOT terminate in attics or enclosed areas.
- Use metal/aluminum duct only (rigid is recommended); DO NOT use plastic duct or 4" (10.2 cm) laundry-type wall caps.
- Keep duct clean to ensure proper airflow.

1.3 Proper Venting

1.3.1 Before Installation

1. Confirm duct specifications: Use 6" or larger round metal/aluminum ductwork with uniform size; prioritize rigid ducts for maximum airflow.
2. Prepare fittings: Equip with a rectangular-to-circular transition (to connect hood and duct); use long reducers instead of pancake reducers if needed.
3. Select vent caps: Use 6" round roof caps or rectangular wall vent caps.
4. Check clearance requirements: Follow the 24"–30" recommended height range between stove top and hood bottom (minimum 24", maximum 30"); refer to stove manufacturer's height guidelines if available.

1.3.2 During Installation

1. Mount the hood at the proper height (24"–30" from stove top to hood bottom) to avoid heat damage, fire hazards, or reduced performance.
2. Connect ductwork:
 - o Limit to max 3×90° elbows; ensure minimum 24" (61 cm) straight duct between elbows; do not install elbows together.
 - o Keep transitions/turns to a minimum; install them as far from the hood opening and as far apart from each other as possible.
 - o Use aluminum foil tape to seal all duct joints.
3. Install damper: If the roof/wall cap is already equipped with a damper, it is recommended to remove either this damper or the blades of the hood-supplied damper.
4. Calculate total duct run: Use the Duct Run Calculation to account for elbows, transitions, and caps; avoid duct size reduction to prevent airflow restriction.

1.3.3 After Installation

1. Seal exterior openings: Apply caulking to seal gaps around the cap on the exterior wall or roof.
2. Verify installation: Confirm no duct size reduction, minimal transitions/turns, and compliance with the 24"–30" height requirement.

2. Product Brief

2.1 How to Locate the Product Model

1. Locate the model number printed on the outer packaging of the product.
2. Extract the middle segment of the model number, which follows the format of one alphabetical letter plus two digits (e.g., B02).
3. After identifying the said segment, pair it with the two-digit number representing the product size (e.g., 30, 36) to form the complete model number, such as B02-30, B02-36
4. Kindly refer to the example provided below.



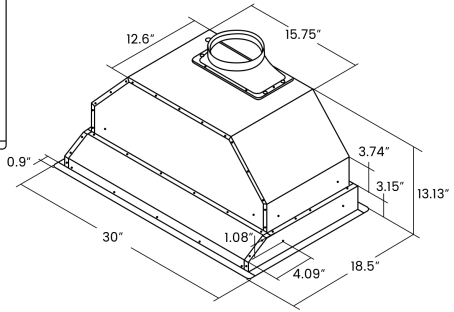
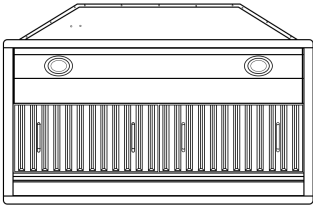
NAB02-36

2.2 Specifications

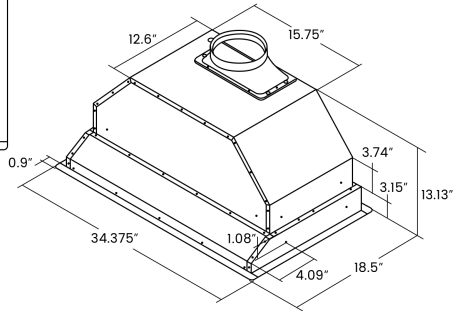
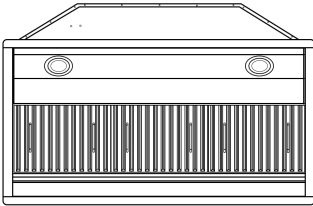
Category	Details
Series: model	B02
Control	Gesture Version: Touch/Gesture/Remote Touch Version: Touch/Remote
Material	Stainless Steel
Power rating	120V/60Hz (USA & Canada standard)
Power Consumption/ Current (A)	Plug-in 230W/2.5A
Motor quantity	1
Motor type	Single Chamber Ultra Quiet
Fan type	Centrifugal / Sirocco
Exhaust	Top 6" Round
Lights	4000K 3-Watt LED Lights x 2
Fan speed levels	4
Ductless Mode	Ducted / Ductless

2.3 B02

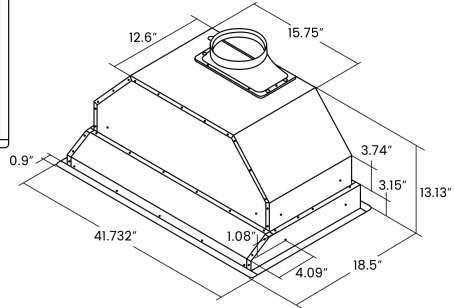
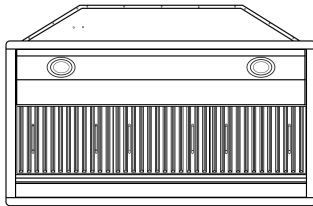
2.3.1 Product Image - B02



B02-30



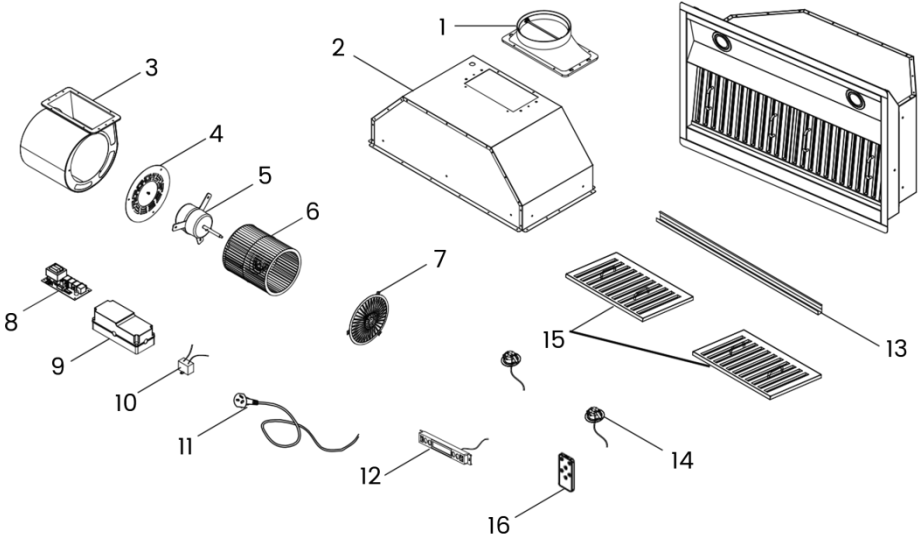
B02-36



B02-42

2.3.2 Accessories List - B02

No.	Desc.	No.	Desc.
1	6" Round Vent Adapter	10	Capacitor
2	Hood Body	11	Power Cord
3	Squirrel Cage	12	Control Panel
4/7	Left / Right Protective Cover	13	Grease Tunnel
5	Motor	14	LED Light x 2
6	Fan Blade	15	Filter x 2 for 30" Filter x 3 for 36"
8	Circuit Board	16	Remote
9	Plastic Box		



3. Installation Guide

3.1 Preparation

⚠️ Sharp Edge Hazard: The range hood has extremely sharp edges. Always wear protective gloves when removing any parts for installation, cleaning, or servicing to avoid severe lacerations.

⚠️ Heavy Weight Hazard: Two or more people are required to move and install this range hood. Failure to comply may result in spinal or other bodily injuries.



The hood must be tested before installation (items below). No liability for extra reinstallation labor costs due to transportation damage, internal defects, or wiring issues.

1. Visual check: Inspect body, control panel, duct interface for scratches, dents or loose parts.
2. Wiring check: Verify power cord for cracks; ensure internal terminals are tight, no exposed wires.
3. Function test: Connect to test power (do not mount) -> test all fan speeds, light switch, and delay shut-off (if applicable) for normal operation.
4. Control check: Confirm buttons respond accurately; indicator lights work as expected.

3.1.1 Tools Required

- Tools are not included in the package.



Phillips
Screwdriver



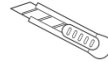
Putty Knife



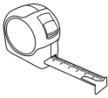
Pencil



Level



Utility Knife



Tape Measure



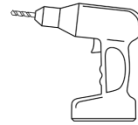
Aluminum Tape



Glove



Drywall Knife



Power Drill

3.1.2 Venting Accessories

- Venting accessories are not included in the package.
- Purchase separately according to your needs.



6" Aluminum Duct



6" Round Duct



6" Elbow Duct



6" Furnace Pipe



6" Roof Vent Cap



6" Wall Vent Cap

3.1.3 Advanced Preparations

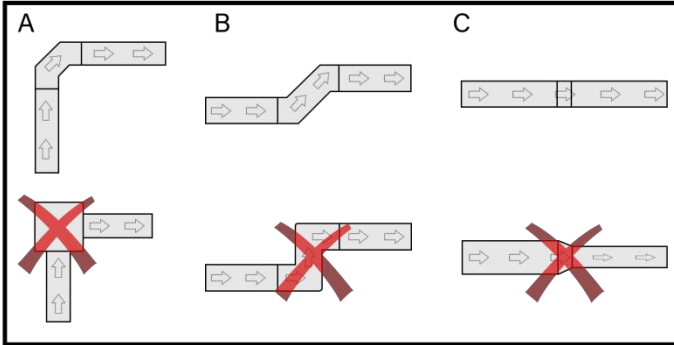
- Thoroughly read the installation guide and user manual; understand all instructions and warnings.
- Familiarize with range hood controls via the *Range Hood Operations* section.
- Lay out all supplied parts on a flat, stable surface and confirm no items are missing.
- Place the hood on a flat, stable surface. Connect it to a designated standard outlet (check product label for correct voltage). Ensure no debris in duct openings, power on the hood, and verify all functions against the *Range Hood Operations* section.
- Remove the plastic protective coat (white/blue) from the hood carefully.

3.1.4 Pre-Installation Preparations

- Prevent debris from entering vent openings to avoid hood damage.
- Determine the vent pipe routing to the outdoors (refer to *Venting Methods* section).
- Prioritize short, straight vent runs for optimal hood efficiency.
- Minimize transitions, elbows, and long runs (these reduce performance).
- Prefer 45-degree elbows over sharp ones, if available.
- Seal pipe joints with Aluminum Foil Tape.

3.1.5 Duct Venting Requirement

- Use 45-degree elbows instead of sharp ones when possible.
- Maintain the duct size specified in the manual.
- DO NOT use reducers: Reducers lower hood CFM and increase noise.
- DO NOT use plenum boxes: They cause air turbulence and reduce efficiency (opt for smooth elbows to direct air outdoors).



3.1.6 Vent System Length Calculation

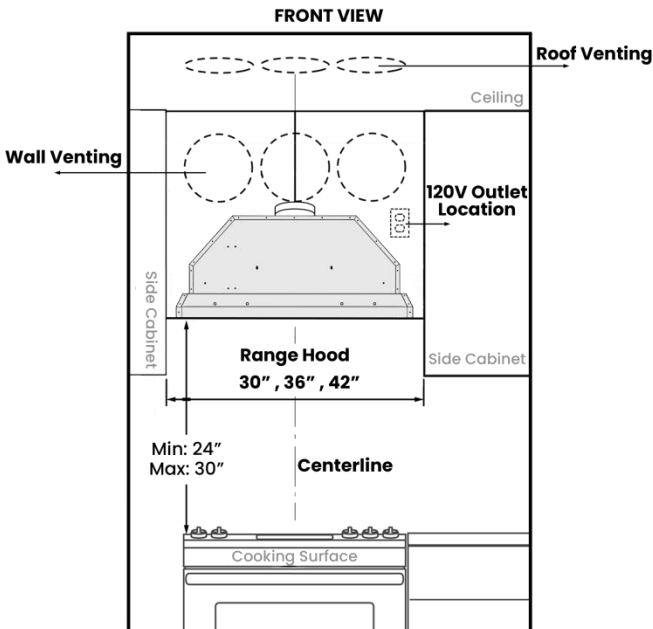
1. Start with the max duct length: For 6" round duct (or 3¼"×10" rectangular duct), the recommended maximum run is 50 ft.
2. Deduct equivalent length for each part used:
 - o 90° elbow: -9 ft each
 - o 45° elbow: -5 ft each
 - o 6" to 3¼"×10" transition: -7 ft each
 - o Side wall cap (with damper)/Roof cap: -0 ft each
3. Example: 1 roof cap + 2×90° elbows + 1×45° elbow = 0 + 9+9 +5 = 23 ft deducted.
 - Remaining straight duct length: 50 - 23 = 27 ft.

3.2 Installation

3.2.1 Key Installation Requirement



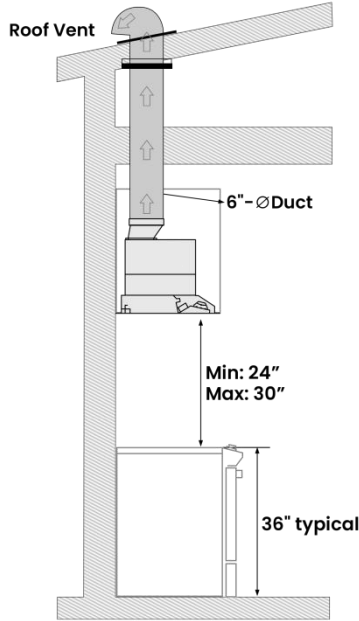
- Note: QR codes are provided for installation and maintenance guidance only.
- Be sure to view the installation video at least once before setup.
- Measure the distance between the stove top and the bottom of the range hood.
- A distance of 24" to 30" is recommended.
- Due to different ceiling height configurations, the recommended height may not be applicable.



3.2.2 Venting Methods

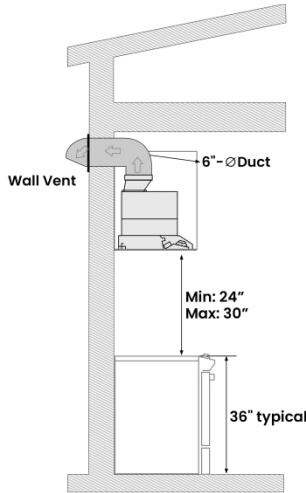
This range hood is factory-set for venting through the roof or wall. Duct work can terminate either through the roof or wall. To vent through a wall, a 90° elbow is needed.

Roof Vent



1. Check if an external damper is installed at the home's exhaust exit. Retention of both the external damper and the hood's transition piece damper is permissible, but doing so will reduce suction performance. Removal of either the damper at the home's exhaust exit or the blades of the hood-supplied damper is recommended.
2. Use a 6" duct. Wrap insulation if required (optional back draft damper for cold climates).
2. Ensure the duct terminates to the outside via the roof.
3. Use caulking to seal the exterior roof opening around the cap.

Wall Vent



1. Check if an external damper is installed at the home's exhaust exit. Retention of both the external damper and the hood's transition piece damper is permissible, but doing so will reduce suction performance. Removal of either the damper at the home's exhaust exit or the blades of the hood-supplied damper is recommended.
2. Use a 90° elbow to redirect the duct to the exterior wall.
3. The recommended height between the stove top and the hood bottom is 24" (min) to 30" (max).
4. Use caulking to seal the exterior wall opening around the cap.

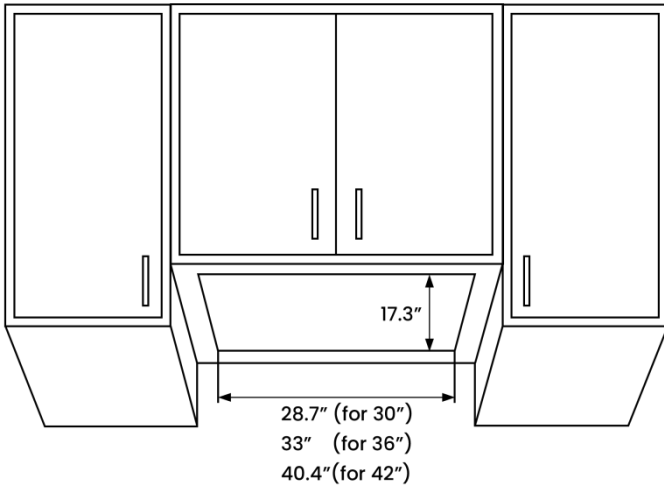
WARNING:

- Never exhaust air/terminate ductwork into wall voids, crawl spaces, ceilings, attics or garages — vent all exhaust directly to the outside.
- Use metal/aluminum ductwork only.
- Fasten connections with sheet metal screws; seal joints with certified Aluminum Foil Tape.
- Caulk to seal the exterior wall/roof opening around the cap.
- For colder climates: wrap insulation around ducts and optional blowers.
- The system must include a backdraft damper.
- Exceeding recommended stove-to-range hood height reduces suction.

3.2.3 Main Body Installation (For example, B02.)

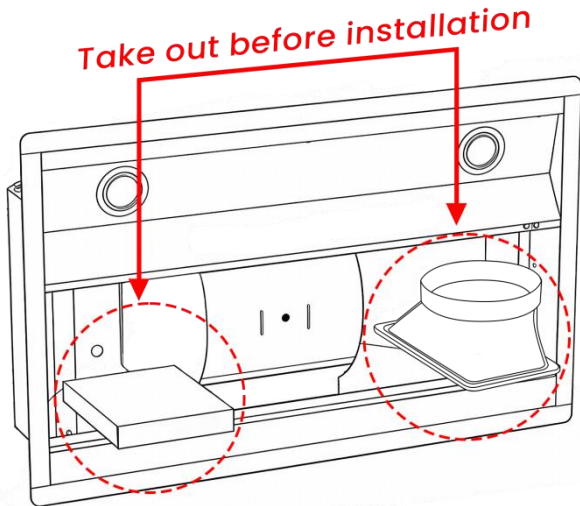
Step 1: Preparation

Cut a hole in the bottom of the cabinet.



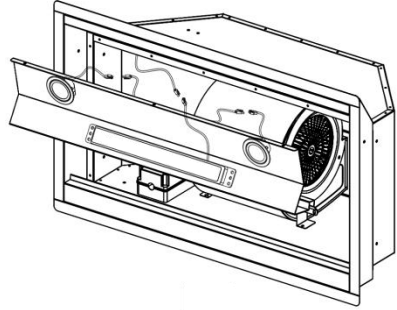
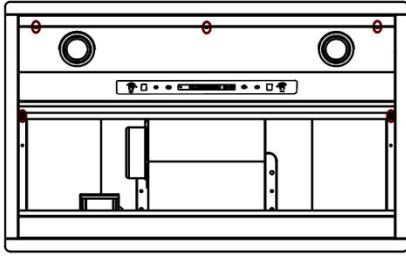
Step 2: Unpack Parts

Remove the baffle filters and take all accessories out from inside the unit.



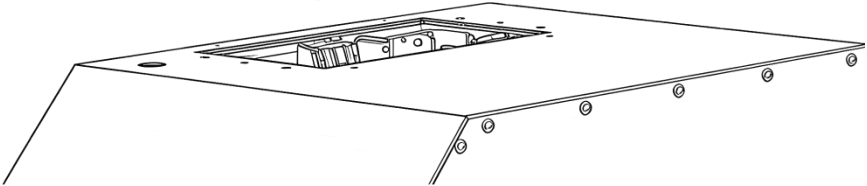
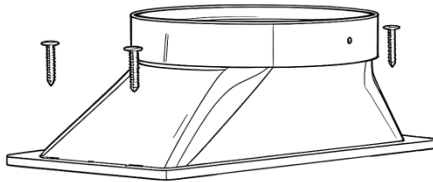
Step 3: Remove Screws

Remove 5 screws located at the bottom of the insert; Disconnect the 2 pcs LED lights wire and switch wire, then carefully remove the light support panel from hood body refer to figure.



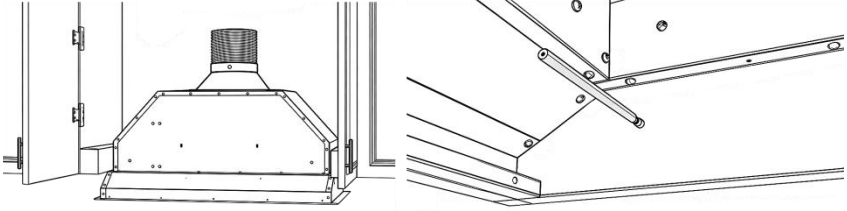
Step 4: Attach Duct Adapter

Install the duct adapter securely onto the unit.



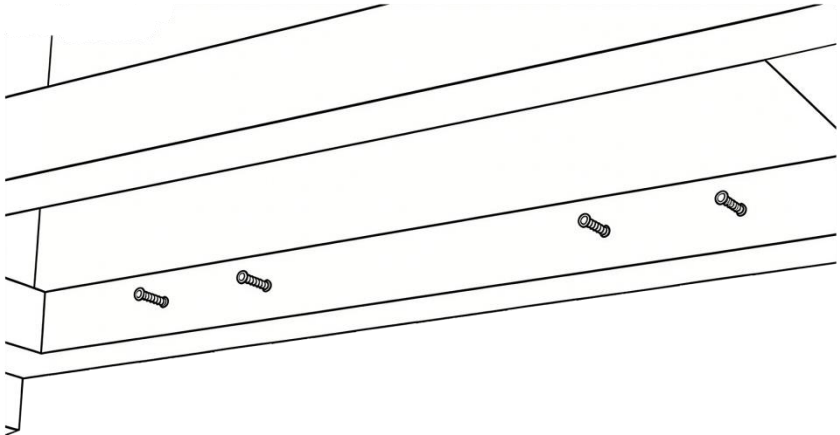
Step 5: Mark Holes

Position the range hood insert in place. Use a pencil to mark the mounting hole locations (front, back, left, and right).



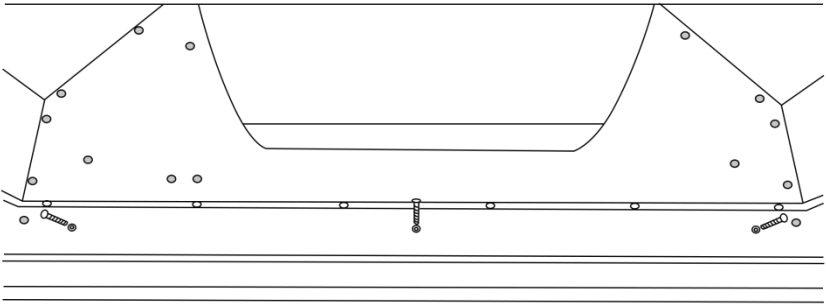
Step 6: Install Anchors

Drill holes at the marked positions and insert wall anchors. (front, back, left, and right).



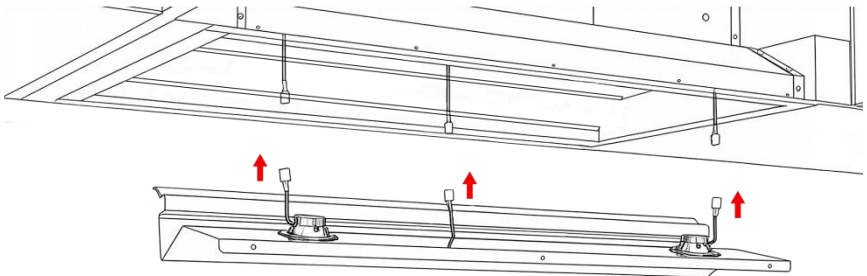
Step 7: Secure Unit

From inside the range hood, drive screws into the anchors to secure the unit firmly in place. (front, back, left, and right).



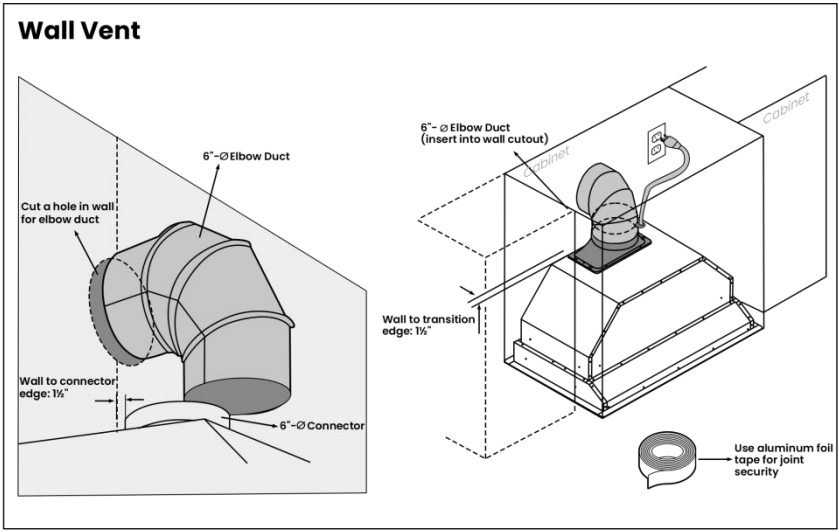
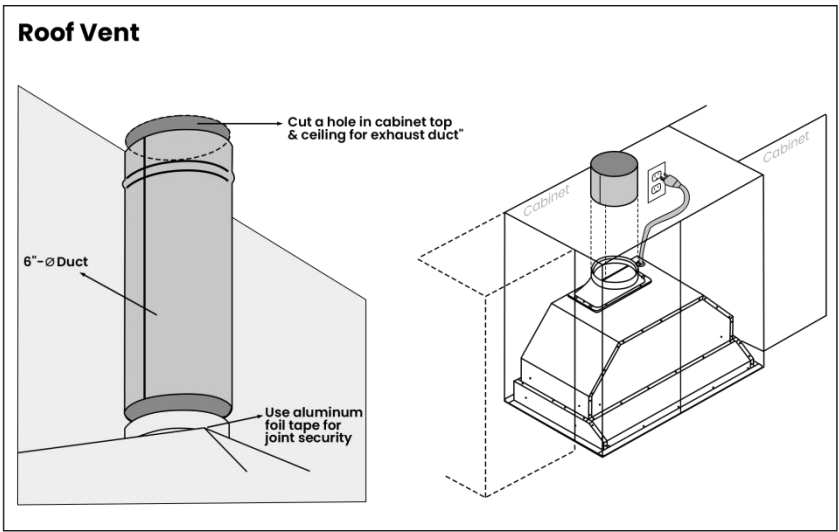
Step 8: Reinstall Panel

Plug in the power cords of the two lights and one control panel



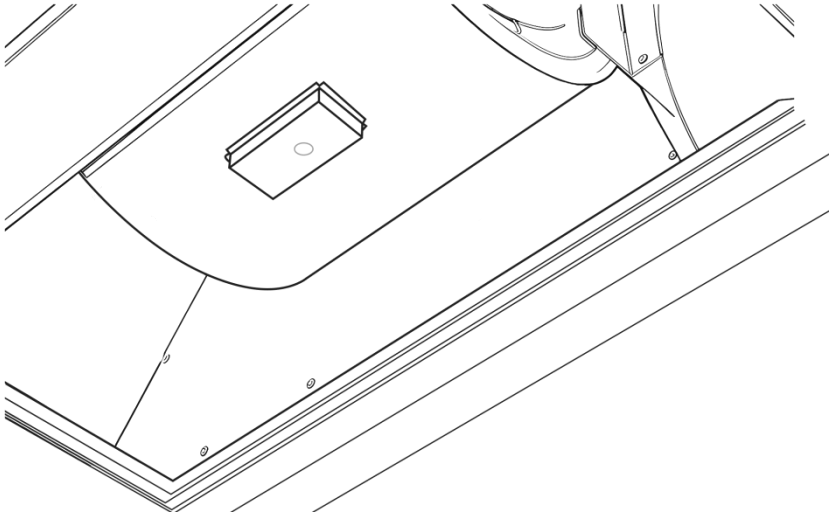
Step 9: Connecting

Connect the ductwork (either to the wall vent or roof vent), then feed the power cord through its designated opening.



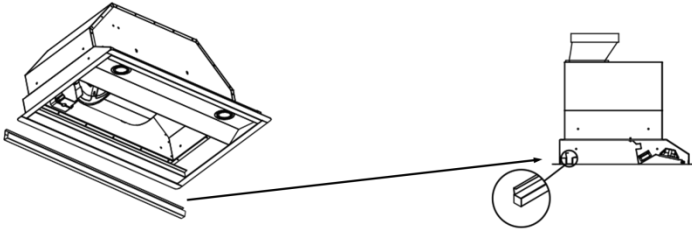
Step 10: Install Oil Cup

Attach the oil collection cup to complete the installation.



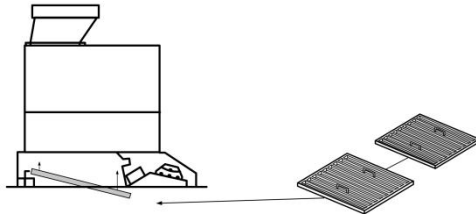
3.2.4 Filters Installation (B02)

1. Verify Grease Tunnel Position: First, confirm that the grease tunnel (the channel for collecting oil) is properly seated in its designated location inside the range hood.

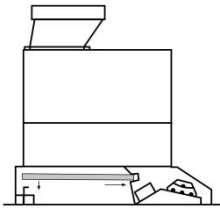


Stainless steel Grease/Oil Tunnel

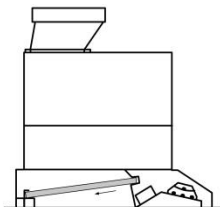
2. Tilt & Insert: Angle the baffle filter, then slide it into the slot at the bottom of the range hood.



3. Slide Inward: Push the filter toward the interior of the hood to align it with the internal structure.

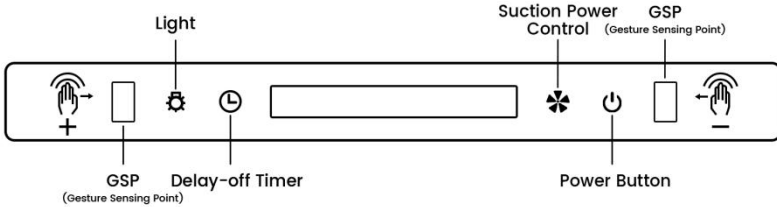


4. Lock in Place: Lay the filter flat to secure it in its final position.



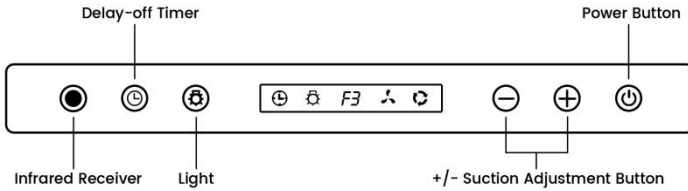
4. Operating Guide

4.1 Gesture Control Version



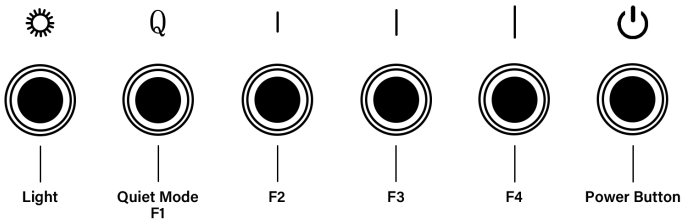
- GSP(Gesture Sensing Point): gesture control sensors. Gestures are only recognized if your hand passes quickly across both sensors.
 - Power On, Fan Off:
 - Wave left-to-right: Set wind to F1 (min) & turn on light.
 - Wave right-to-left: Set wind to F4 (max).
 - Power On, Fan On (Any Speed):
 - Wave left-to-right: Increase suction power.
 - Wave right-to-left: Decrease suction power.
- Light:
 - Press once to turn the light on/off.
 - Press and hold to adjust brightness.
 - Auto-shuts off on delay expiry.
 - Power-off usable.
- Delay-off Timer:
 - Press the timer button: while the fan is running to activate (default: 3 minutes).
 - Use the timer and fan buttons to adjust the countdown time (1-15 minutes).
 - Light & Fan auto-off after delay.
- Suction Power Control:
 - Press once to cycle through speed levels: F1 -> F2 -> F3 -> F4 -> F0 -> F1 -> F2 -> F3 -> F4
- Power Button:
 - Turns the range hood on/off.

4.2 Touch Control Version



- Infrared Receiver:
 - Receives signals from the remote control.
 - Maximum reception range: 3m (10ft).
- Delay-off Timer:
 - Press the timer button while the fan is running to activate (default: 3 minutes).
 - Use the timer and +/- buttons to adjust the countdown time (1-15 minutes).
 - Light & Fan auto-off after delay.
- Light:
 - Press once to turn the light on/off.
 - Press and hold to adjust brightness.
 - Auto-shuts off on delay expiry.
 - Power-off usable.
- +/- Suction Adjustment Button:
 - Adjusts suction levels (F1 to F4).
- Power Button:
 - Turns the range hood on/off.

4.3 Button Control Version



- Light:
 - Press once to turn the light on/off.
 - Press and hold to adjust brightness.
 - Auto-shuts off on delay expiry.
 - Power-off usable.
 - 4 Speed Levels:
 - Q (Quiet Mode) (F1)
 - Low Speed (F2)
 - Medium Speed (F3)
 - High Speed (F4)
 - Power Button:
 - Press once: Turn on the hood at default suction.
 - Press again: Activate 3-minute delay shut-off (countdown starts). Light & Fan auto-off after delay.
 - Press a third time: Shut off the hood immediately.
 - Note: The delay time is fixed at 3 minutes and cannot be adjusted.
- No Remote Control Included.

4.4 Remote Control



- Power: Press to turn the unit on/off.
- + Suction Increase:
 - Press once to start the fan at F1.
 - press repeatedly to cycle through F2 → F3 → F4 → Off → F1.
- - Suction Decrease:
 - Press once to start the fan at F4.
 - press repeatedly to cycle through F3 → F2 → F1 → Off → F4.
- Timer Delay (1/3/6/9 mins):
 - When the fan is running: Press the timer button to activate the default 3-minute delayed shutdown.
 - Press the corresponding 1/3/6/9 button to directly set the delay time to 1/3/6/9 minutes respectively.
 - When the delay function is active: Use the +/- buttons to adjust the delay time (increase or decrease).
 - Light & Fan auto-off after delay.
- Light:
 - Press to turn the light on/off.
 - Auto-shuts off on delay expiry.
 - Power-off usable.
- Max Suction: Press to start the fan directly at the highest speed (F4).
- Suction Switch: Press once to start the fan at F1; the cycling sequence is the same as the + button.

5. Care and Maintenance



WARNING: Severe Injury Hazard. Hood may have very sharp edges. Please wear protective gloves if it is necessary to remove any parts for installing, cleaning, or servicing.



WARNING: Hazard of electrical shock! Disconnect power before installing or servicing.

5.1 Filter Cleaning/Replacement

5.1.1 Safety Rules

- Read and understand all instructions and warnings before operation; keep for future reference.
- Always keep safety grills and filters installed to avoid entrapment of hair, fingers or loose clothing.
- Never put cigarette ashes, flammables or foreign objects into blowers.
- Never leave cooking unattended; overheated oil (especially reused oil) risks fire or self-combustion, especially during frying.
- Do not use open flames under the range hood; check deep-fryers during use (superheated oil is flammable).
- Keep the unit clean and free of greasy residue to prevent fire (grease buildup increases flammability).
- Clean filters periodically; replace old/worn filters immediately.
- Do not operate blowers without filters; do not disassemble parts for cleaning without instructions (qualified personnel recommended for disassembly).
- **WARNING:** Never put hands into the fan housing when the fan is running!

5.1.2 Cleaning Instructions

- Clean baffle filters monthly with hot soapy water or in a dishwasher.
- Ensure filters are completely dry before reinstallation.

5.2 Cleaning Exterior Surfaces

5.2.1 Regular Cleaning

- Clean periodically with a stainless steel cleaner and a clean cotton cloth.
- Follow the stainless steel cleaner directions strictly.

5.2.2 Special Stain Removal

- For heavier oil buildup: Use a liquid degreaser (*e.g., Formula 409, Fantastic*).
- For splotchy stainless steel hood: Use a stainless steel cleaner; avoid contact with the control panel.

5.2.3 Cleaning Steps & Precautions

- CAUTION: Do not leave the cleaner on too long, as this may damage the hood's finish.
- Wipe off cleaning solution with a soft towel; gently rub stubborn spots.
- Dry thoroughly with a dry soft towel.

5.2.4 Post-Cleaning Polishing

- Optional: Use a non-abrasive stainless steel polish (*e.g., 3M, Zep*) to restore luster.
- Polish lightly with a clean cotton cloth, following the stainless steel grain.

5.2.5 Prohibited Practices

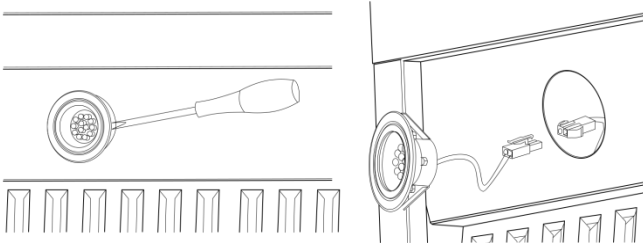
- DO NOT use corrosive/abrasive detergents (*e.g., Comet Power Scrub, EZ-Off*), steel wool, or scoring pads.
- DO NOT allow deposits, salt solutions, disinfectants, bleaches, or cleaning compounds to remain on the surface for extended periods.
- DO NOT use ordinary steel wool/steel brushes (may cause rusting).
- DO NOT get cleaning solution on/in the control panel.

5.3 Replacing the LED Lights


⚠️ WARNING: LED lamps generate intense heat during operation. Do not touch the lamp until it is switched off and fully cooled. Contact with a hot light may result in severe burns.



- To replace one of the range hood's LED lights (3W 12V):
 - a. Before actual operation, please scan the QR code below to watch the maintenance video.
 - b. Unplug the range hood or turn OFF the breaker..
 - c. Pull the faulty LED light straight out and discard it.
 - d. Connect the wires of the new LED light.
 - e. Turn on the range hood to test.

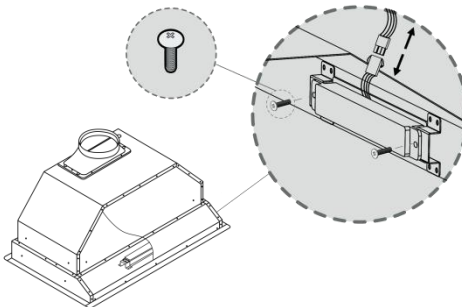


5.4 Replacing the Control Panel


 **WARNING:** Hazard of electrical shock! Disconnect power before installing or servicing.

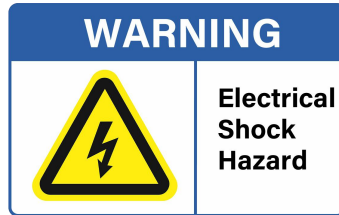


- Control panel replacement procedure
 - a. Before actual operation, please scan the QR code below to watch the maintenance video.
 - b. Ensure the range hood is disconnected from power by either unplugging it or switching off the corresponding circuit breaker.
 - c. If the control panel cannot be directly removed from your model, please first remove the partial outer cover (e.g. B02, P03). If the control panel can be directly removed, skip this step.
 - d. Please first disconnect the control wires between the control panel and the light as well as the motor; there are usually 3 wires.
 - e. Remove the screws on the control panel.
 - f. Take off the control panel, install the new control panel, and fix it with screws.
 - g. Reconnect the control wires between the control panel and the light as well as the motor.
 - h. Reinstall the partial outer cover (if necessary).
 - i. Turn on the range hood to test.

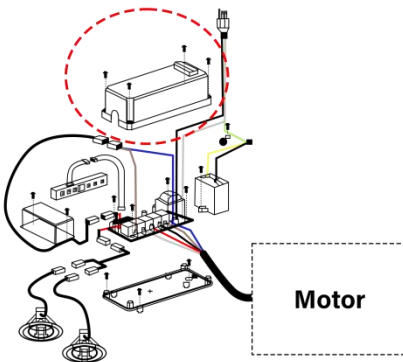


5.5 Replacing the Circuit Board

 **WARNING:** Hazard of electrical shock! Disconnect power before installing or servicing.



- Circuit board replacement procedure
 - a. Before actual operation, please scan the QR code below to watch the maintenance video.
 - b. Unplug the range hood or turn off its breaker.
 - c. Remove baffle filters; locate the circuit board box (between two motors) and remove its 4 securing screws.
 - d. Take out the screws on the circuit board box.
 - e. Unplug wires from the circuit board one by one, then remove the board.
 - f. Install the new board: plug wires one by one, then secure the board with screws.
 - g. Put wires back into the box, reattach screws, cover the panel and secure it.
 - h. Turn on the range hood to test.



6. Troubleshooting Chart

Issue	Possible Causes	Solutions
Motors/lights not working (post-install)	<ol style="list-style-type: none"> 1. Power off 2. Loose wiring 3. Faulty control switch 	<ol style="list-style-type: none"> 1. Verify breaker/power on; test supply with voltmeter 2. Tighten wiring 3. Replace switch
Lights work, motor(s) don't	<ol style="list-style-type: none"> 1. Faulty motor(s) 2. Faulty capacitor(s) 3. Faulty control switch 	<ol style="list-style-type: none"> 1. Replace motor(s) 2. Replace capacitor(s) 3. Replace switch
Range hood vibrates	<ol style="list-style-type: none"> 1. Loose blower system 2. Unbalanced impeller/squirrel cage 3. Loose hood mount 	<ol style="list-style-type: none"> 1. Tighten impeller/squirrel cage & air chamber 2. Replace impeller/cage 3. Tighten mounting bracket
Motor works, lights don't	<ol style="list-style-type: none"> 1. Faulty LED fixture(s) 2. Loose light wiring 3. Faulty switch/LED driver 	<ol style="list-style-type: none"> 1. Replace LED fixture(s) 2. Check wiring continuity 3. Replace switch/driver
Poor ventilation	<ol style="list-style-type: none"> 1. Incorrect hood-cooktop clearance 2. Insufficient makeup air 3. Blocked duct 4. Undersized duct 	<ol style="list-style-type: none"> 1. Adjust clearance (24–30" standard; 28–32" island) 2. Open window for makeup air
Cold air enters home	<ol style="list-style-type: none"> 1. Poorly sealed duct connections 2. Damper misinstalled/missing 3. No damper 	<ol style="list-style-type: none"> 1. Reseal duct connections 2. Correct/mount damper 3. Install damper (prevents backflow)

7. FAQ

Q1: Can my hood be ductless?

A1: Yes. Make sure your model is B02

Q2: Is the width of my range hood as described the actual size?

A2: No – the actual width of the range hood will be slightly less than the generic description to better fit cabinet cutouts.

Q3: Why does my range hood have a white/blue film?

A3: This is a protective layer placed on all range hoods to prevent shipping damage. Remove it after installation.

Q4: How do I clean my baffle filters and how often?

A4: Your baffle filters should be washed with hot water and soap once per month or placed in a dishwasher for cleaning. Make sure the filters are completely dry before reinstalling.

Q5: Can I turn off gesture control? (Gesture Control Version)

A5: Yes. When the hood is powered off, press and hold the Timer Key for 3 seconds to enable/disable the gesture function (the screen will prompt ON/OFF).

Q6: Can it be hardwired?

A6: Yes, but the operation must be performed by a licensed electrician.

Q7: Can the brightness of the lighting be adjusted?

A7: Yes, please refer to Chapter 4: Operating Guide.

8. Warranty & Customer Service

8.1 To Obtain Service Under Warranty

- You must present proof of the original purchase date.
- Please provide an original dated proof of purchase (sales receipt / invoice) to obtain service under warranty.

8.2 Warranty Coverage Periods

Component	Warranty Period
LED lights and switch control	5 Years
Motor and blowers	10 Years

8.3 Who is Covered?

This warranty is extended to the original purchaser for products purchased for ordinary home use.

8.4 This Warranty Will Be Voided When

- The product is damaged through negligence, improper installation, accident, abuse, misuse, natural disaster, insufficient or excessive electrical supply, abnormal mechanical or environmental conditions, or any unauthorized disassembly, repair, modification, or failure to follow installation instructions.
- The product is used commercially or for other than its intended purpose.
- The product is damaged because of improper connection with equipment from other manufacturers.
- Damage resulting from unauthorized repairs, modifications, or alterations is not covered under this warranty.
- The original identification information on the product has been altered, obliterated, or removed; the product has not been handled or packaged correctly; or the product has been sold as second-hand.

8.5 What is Not Covered?

- This warranty is valid in Canada and the United States.
- This warranty is non-transferable and applies only to the original purchaser, not subsequent owners of the product.
- Any applicable implied warranties, including the warranty of merchantability, are limited in duration to the express warranty period set forth herein, commencing on the date of original purchase. After this period, no express or implied warranties apply to this product.

8.6 Customer Support

For technical support and sales inquiries, please send an email to: support@doelalehomeinc.com



Note: The information in this document is subject to change without notice. Please contact us for updated details. Before contacting us, please review our policy terms. Generally, you will be required to provide product identification information (such as the model number/name) and a detailed description of the problem you are experiencing, along with proof of the original purchase date to verify that the product is a genuine range hood within the applicable warranty period.