

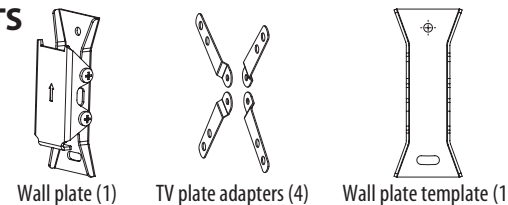
## DX-HTVMT1701-C

### Tilting Mount for TVs up to 32"

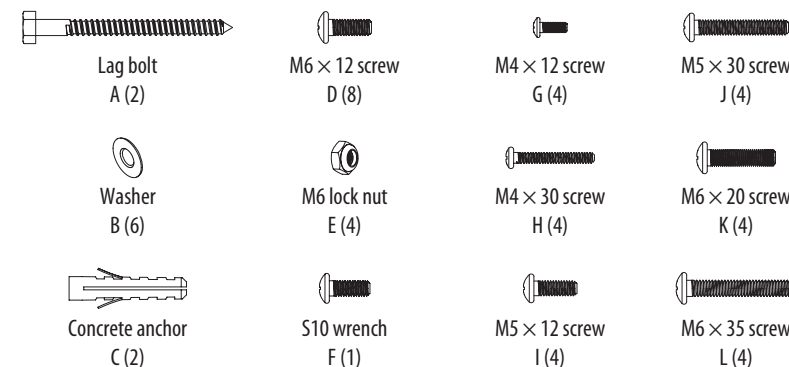
#### PACKAGE CONTENTS

##### Hardware kit includes:

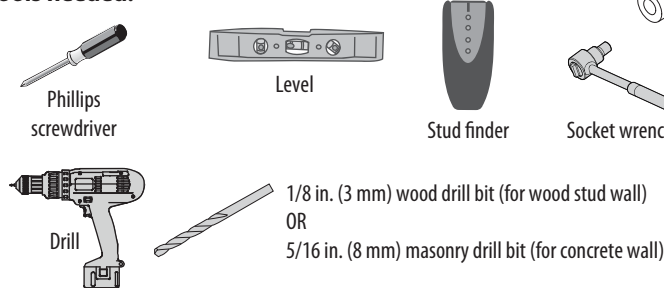
- Mount arm (1)
- Hardware kit (1)
- Quick Setup Guide



Wall plate (1) TV plate adapters (4) Wall plate template (1)



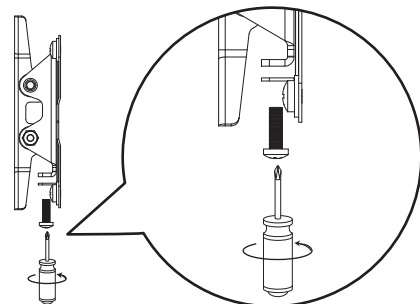
#### Tools needed:



Before using your new product, please read these instructions to prevent any damage.

### 1 SEPARATING THE FRONT AND BACK OF THE WALL MOUNT

- Use a Phillips screwdriver to separate the front and back of the wall-mount. Store the screw you remove in a safe place.



### 2 OPTIONAL: INSTALLING TV PLATE ADAPTERS

Depending on the mounting-hole pattern on your TV, you may need to install the TV plate adapters.

- 1 Measure the vertical and horizontal distances between the mounting holes on the back of your TV.

**Do not install the TV plate adapters for the following mounting-hole patterns:**

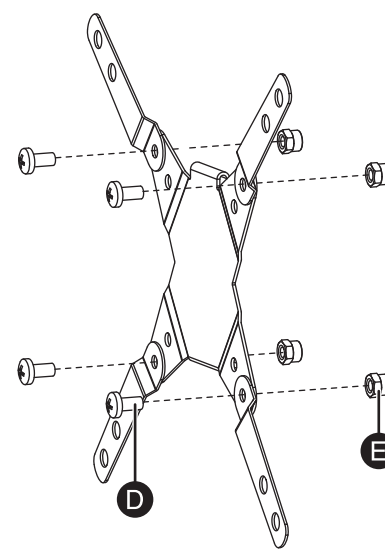
- 3" x 3" (75 mm x 75 mm) (W x H)
- 4" x 4" (100 mm x 100 mm) (W x H)

**Install the TV plate adapters for the following mounting-hole patterns:**

- 4" x 8" (100 mm x 200 mm) (W x H)
- 8" x 8" (200 mm x 200 mm) (W x H)

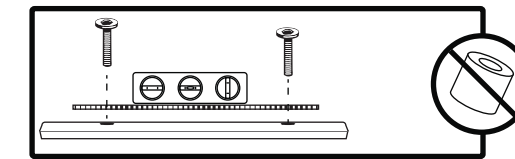
- 2 If you need the TV plate adapters, position the adapters based on the TV mounting-hole patterns.

- 3 Insert M6 x 12 mm screws (D) through the holes on the adapters, then secure the screws with adapter nuts (F) using the S10 wrench (F).

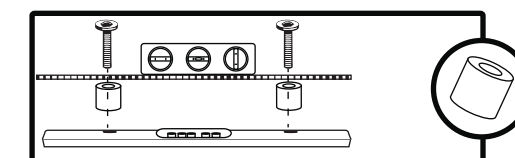


### 3 DETERMINING WHAT TYPE BACK YOUR TV HAS

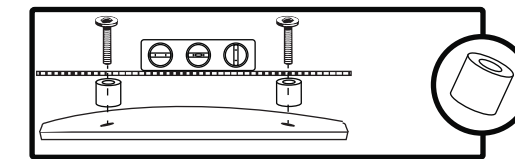
- 1 Carefully place your TV screen face-down on a cushioned, clean surface to protect the screen.
- 2 If a stand is installed, remove it. See the documentation that came with your TV for instructions.
- 3 Lay the TV plate against the back of your TV
- 4 Align the screw holes in the TV plate with the mounting screw holes on your TV.
- 5 Identify which type of back your TV has:
  - **Flat back:** The TV plate lays flush against the back of your TV and does not block any jacks. You do not need spacers.



- **Obstructed back:** The TV plate blocks one or more of the jacks on the back of your TV. You need spacers (M).



- **Irregularly-shaped back:** There is a gap between the TV plate and some part of the back of your TV. You need spacers (M).



- 6 Remove the TV plate.

### 4 SELECT SCREWS, WASHERS, AND SPACERS

- 1 Select the hardware for your TV (screws, washers, and spacers). If your TV came with mounting hardware, the screws are in usually in the holes on the back of the TV. If you don't know the length of the mounting screws you need, hand-thread different screws to find the correct length. Select one of the following types of screws:

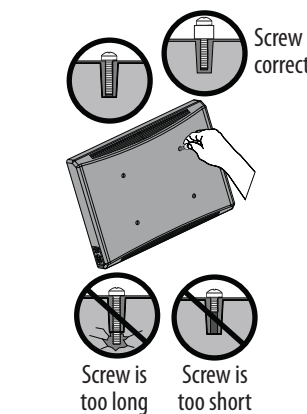
#### For a TV with a flat back:

- M4 x 12 mm screws (G)
- M5 x 12 mm screws (I)
- M6 x 12 mm screws (D)

#### For a TV with an irregular/obstructed back:

- M4 x 30 mm screws (H)
- M5 x 30 mm screws (J)
- M6 x 20 mm screws (K)
- M6 x 35 mm screws (L)

Use the washers (B) with all screws. If the TV has an irregular or obstructed TV back, also use the spacers (M).



**Caution:** Make sure that the screws (and spacers, if used) are the correct length. If the screw or screw/spacer combination is too long, it may damage the TV. If the screw or screw/spacer combination is too short, the TV may fall from the mount and damage the TV or injure someone. If you encounter resistance when testing screws, stop immediately and try another combination. If none of the screws or screw/spacer combinations work, contact customer service.

- 2 Remove the screws from the holes in the back of your TV.

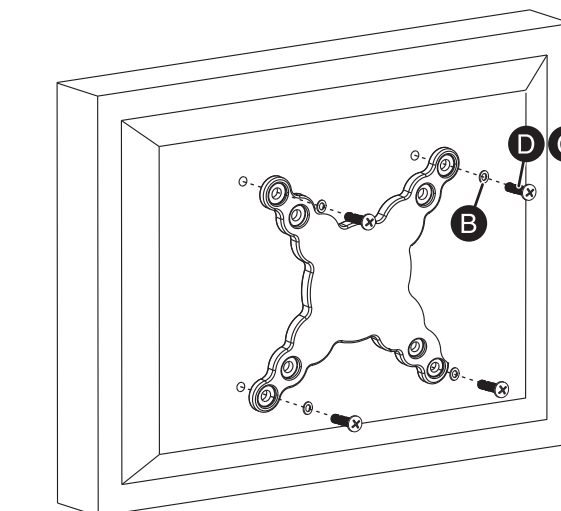
- 3 For a flat back TV, go to "STEP 5 - Option 1: Attaching the mounting hardware to TVs with a flat back."

**-OR-**

- For an irregular or obstructed back, go to "STEP 5 - Option 2: Attaching the mounting hardware to TVs with irregular or obstructed backs."

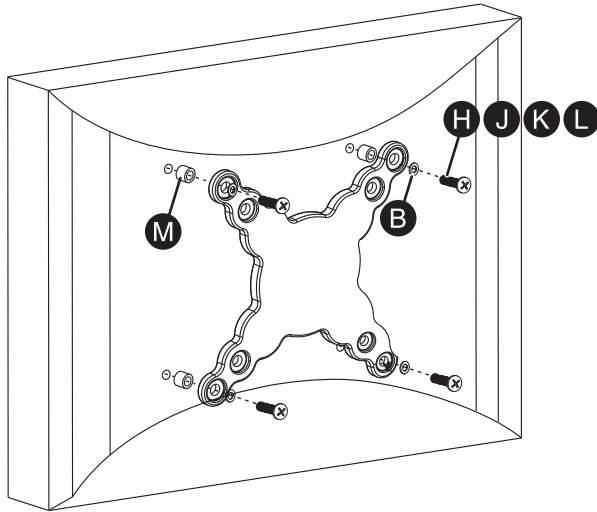
### 5 OPTION 1: ATTACHING THE MOUNTING HARDWARE TO TVs WITH A FLAT BACK

- 1 Align the TV plate with the screw holes on the back of the TV. Make sure that the plate is level.
- 2 Place washers (B) over the holes in the TV plate. Insert screws (D, G, or I) through the washers and TV plate.
- 3 Tighten the screws until they are snug against the TV plate. Do not over tighten.



**OPTION 2: ATTACHING THE MOUNTING HARDWARE TO TVS WITH IRREGULAR OR OBSTRUCTED BACKS**

- 1 Place spacers (M) over the holes on the back of the TV.
- 2 Align the TV plate with the screw holes on the back of the TV. Make sure that the plate is level.
- 3 Place washers (B) over the holes in the TV plate. Insert screws (H, J, K, or L) through the washers, TV plate, and spacers.
- 4 Tighten the screws until they are snug against the TV plate. Do not over tighten.

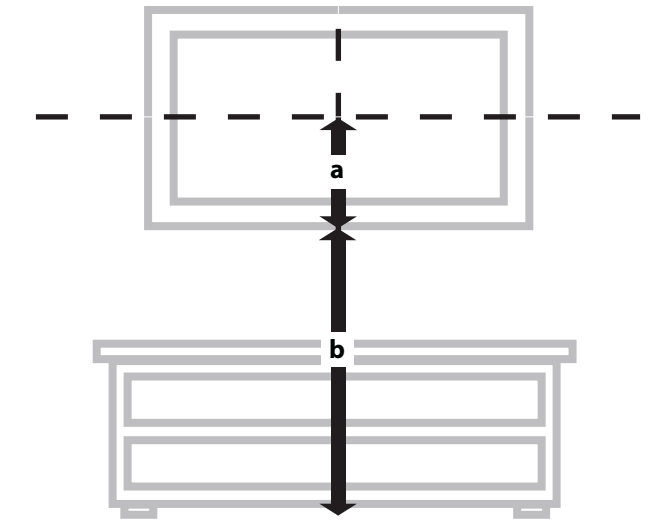


**6 DETERMINE THE WALL-MOUNT LOCATION**

The center of your TV will be offset .8 in. lower than the center of the wall plate on the wall-mount. Before you drill holes in the wall:

- Notes:**
- For more detailed information on determining where to drill your holes, visit our online height-finder at: <http://mf1.bestbuy.selectionassistant.com/index.php/heightfinder>
  - Your TV should be high enough so your eyes are level with the middle of the screen. This is normally 40 to 60 in. from the ground.

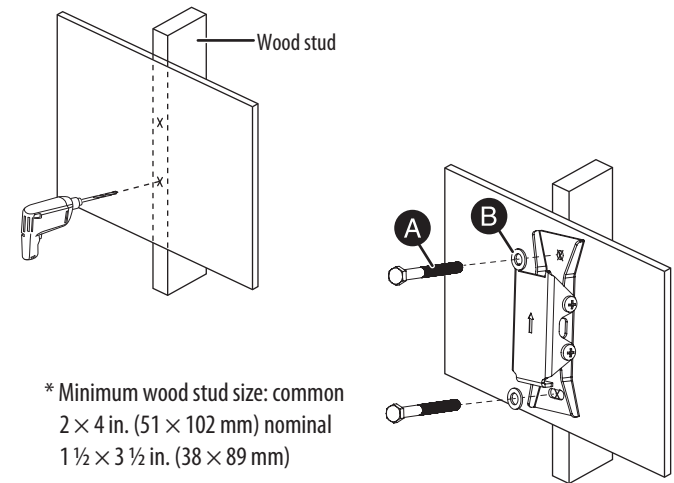
- 1 Measure the distance from the bottom of your TV to the center point halfway between the top and bottom mounting holes on the back of your TV. This is measurement **a**.
- 2 Measure the distance from the floor to where you want the bottom of the TV to be placed on the wall. Keep in mind that the bottom of the TV should be placed above any furniture (such as entertainment centers or TV stands). The TV should also be above items placed on top of the furniture (like a Blu-ray player or cable box). This measurement is **b**.
- 3 Add **a + b**. The total measurement is the height where you want the center of the wall plate to be on the wall.
- 4 Use a pencil to mark this spot on the wall.



**7 INSTALLING THE WALL PLATE**

**Wood installation**

- 1 Locate the center of a stud with a stud finder.
- 2 Align the center of the wall plate template at the height (**a + b**) you determined in the previous step, make sure that the template is level, then tape it to the wall.
- 3 Drill two pilot holes through the template to a depth of 2.75 in. (70 mm) using a 1/8 in. (3 mm) drill bit, then remove the template.
- 4 With the arrow on the wall plate pointing up, align the plate with the pilot holes, insert the lag bolts (A) through the washers (B), then through the holes in the wall plate. Make sure that the wall plate is level.
- 5 Tighten the lag bolts with a socket wrench only until they are firm against the wall plate.

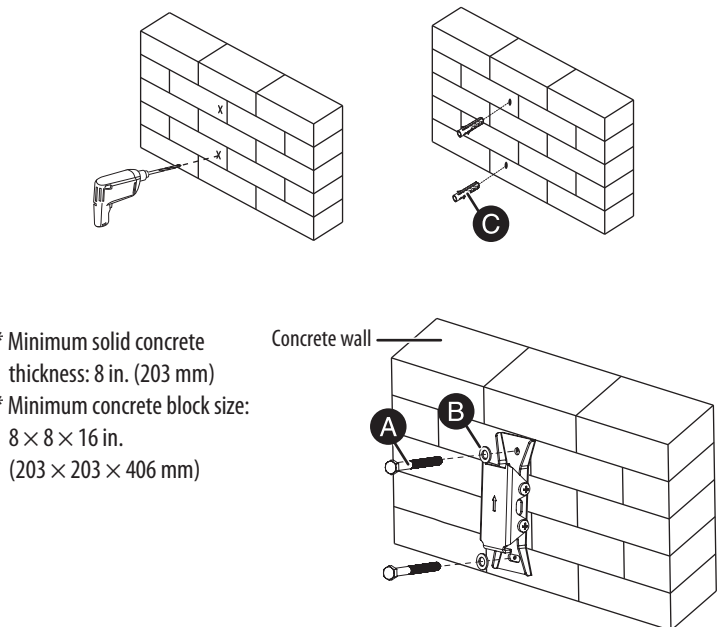


\* Minimum wood stud size: common  
2 x 4 in. (51 x 102 mm) nominal  
1 1/2 x 3 1/2 in. (38 x 89 mm)

**Concrete installation**

**Caution:** To prevent property damage or personal injury, never drill into the mortar between blocks. Mount the wall plate directly onto the concrete surface.

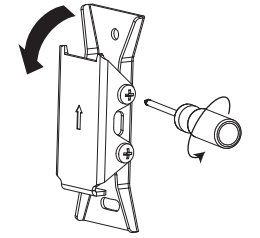
- 1 Align the center of the wall plate template at the height (**a + b**) you determined in the previous step, make sure that it is level, then tape it to the wall.
- 2 Drill two pilot holes through the template to a depth of 2.75 in. (70 mm) using a 5/16 in. (8 mm) diameter masonry drill bit, then remove the template.
- 3 Insert the concrete wall anchors (C) into the pilot holes and use a hammer to make sure that the anchors are flush with the concrete surface.
- 4 With the arrow on the wall plate pointing up, align the plate with the anchors, insert the lag bolts (A) through the washers (B), then through the holes in the wall plate. Make sure that the wall plate is level. Tighten the lag bolts with a socket wrench only until they are firm against the wall plate.



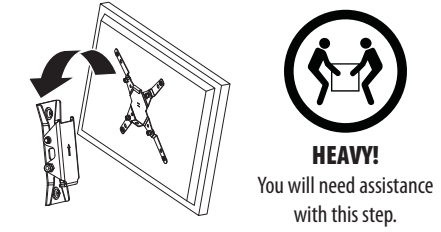
\* Minimum solid concrete thickness: 8 in. (203 mm)  
\* Minimum concrete block size: 8 x 8 x 16 in. (203 x 203 x 406 mm)

**8 FINAL ASSEMBLY**

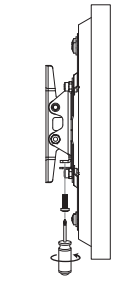
- 1 To set the TV tilt angle, loosen the top screw on the side of the wall plate, adjust the mount angle, then tighten the screw.



- 2 Lift the TV, then slide the TV plate down into the slot of the wall plate. **Do not release the TV until the front and back of the mount are securely connected.**



- 3 Replace the screw you removed in step 1, then tighten it using a long Phillips screwdriver



**Note:** Periodically clean your mount with a dry cloth. Inspect all screws and hardware at regular intervals to ensure that no connections have become loose over time. Re-tighten as needed.

**ONE-YEAR LIMITED WARRANTY**

Visit [www.dynexproducts.com](http://www.dynexproducts.com) for details.

**CONTACT DYNEX:**

For customer service, call 800-305-2204  
[www.dynexproducts.com](http://www.dynexproducts.com)

DYNEX is a trademark of Best Buy and its affiliated companies. Distributed by Best Buy Purchasing, LLC  
7601 Penn Ave South, Richfield, MN 55423 U.S.A.  
©2016 Best Buy. All rights reserved.  
**Made in China**