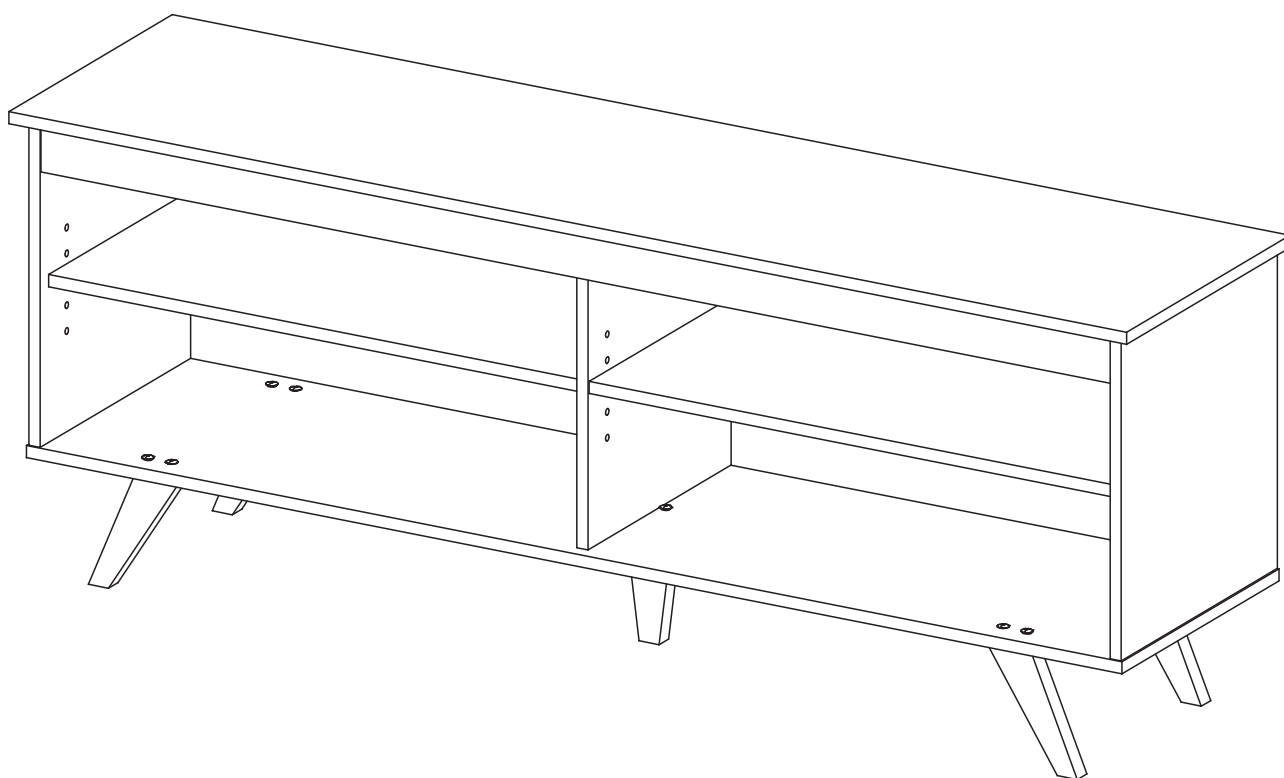




Assembly Instructions

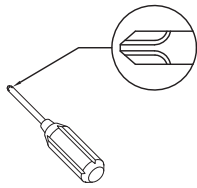


To request missing, lost or broken parts, or for any other customer service issues, please visit our website at www.walker-edison.com or call us at 877-207-5906.

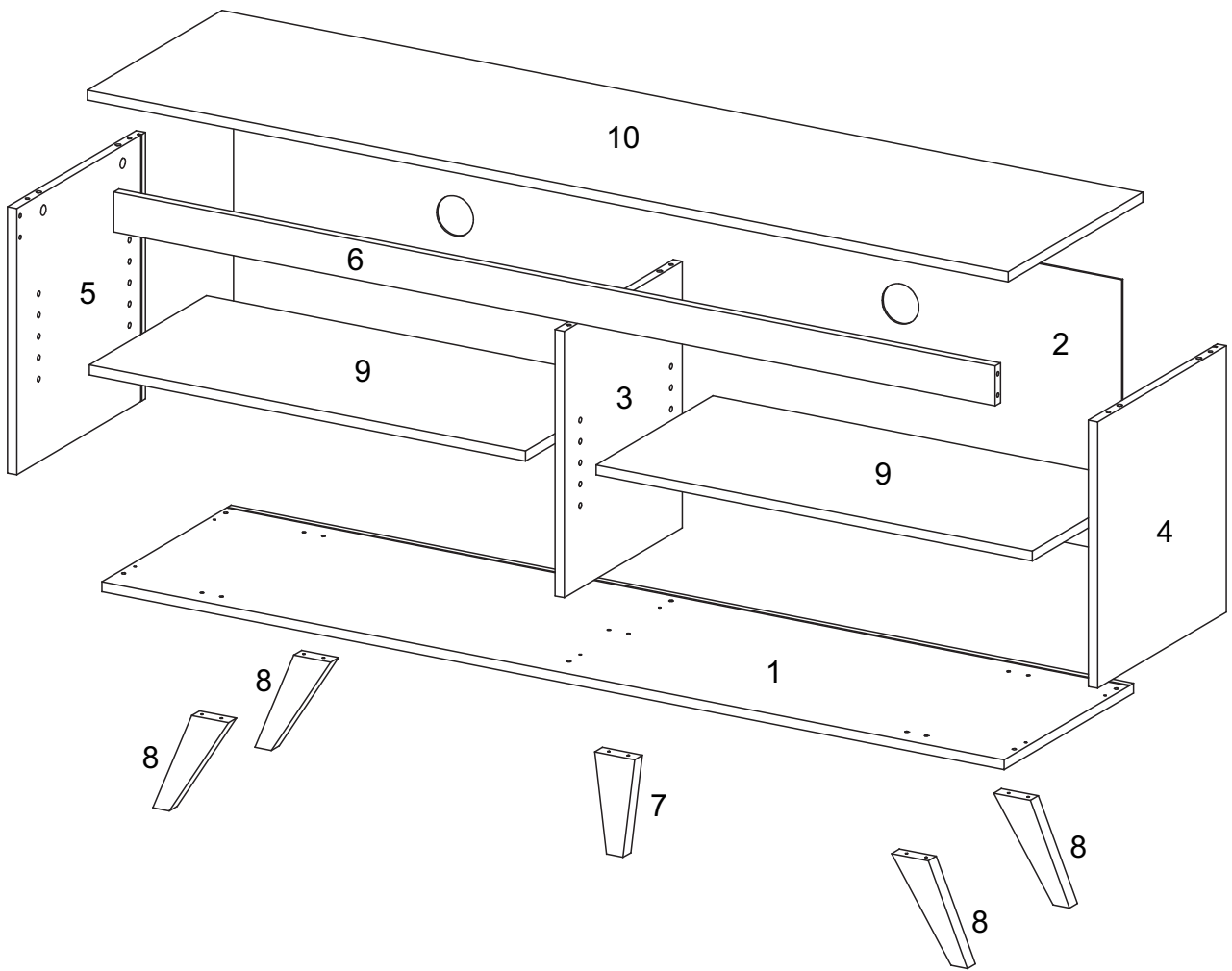
Revised 042017

General Assembly Guidelines



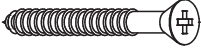


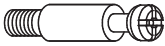

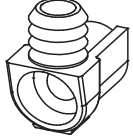

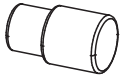
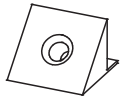
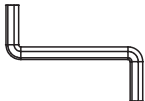
- I. Ensure that all parts and hardware are available before beginning assembly.
- II. Follow each step carefully to ensure the proper assembly of this product.
- III. Two people are recommended for ease in the assembly of this product.
- IV. The two main types of hardware used to assemble this product are: wood dowels and screws.
- V. A Phillips head screwdriver is required for the assembly of this product.

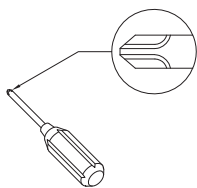


Parts List



Hardware List

A		Ø3,5x14mm	Screw	10 pcs
B		Ø3,5x25mm	Screw	1 pcs
C		Ø4,5x40mm	Screw	6 pcs
D		Ø5x50mm	Screw	10 pcs
E		Ø6x30mm	Wood Dowel	16 pcs
F		Ø6x35mm	Cam Bolt	6 pcs
G		Ø15mm	Cam Lock	6 pc
H			Plastic Support	1 pc
I		Ø15mm	Plastic Cap	10 pc
J		Ø8x7mm	Shelf Support Pin	8 pc
K		14x14mm	Back Support	10 pcs
L		M4mm	Hex Key	1 pc

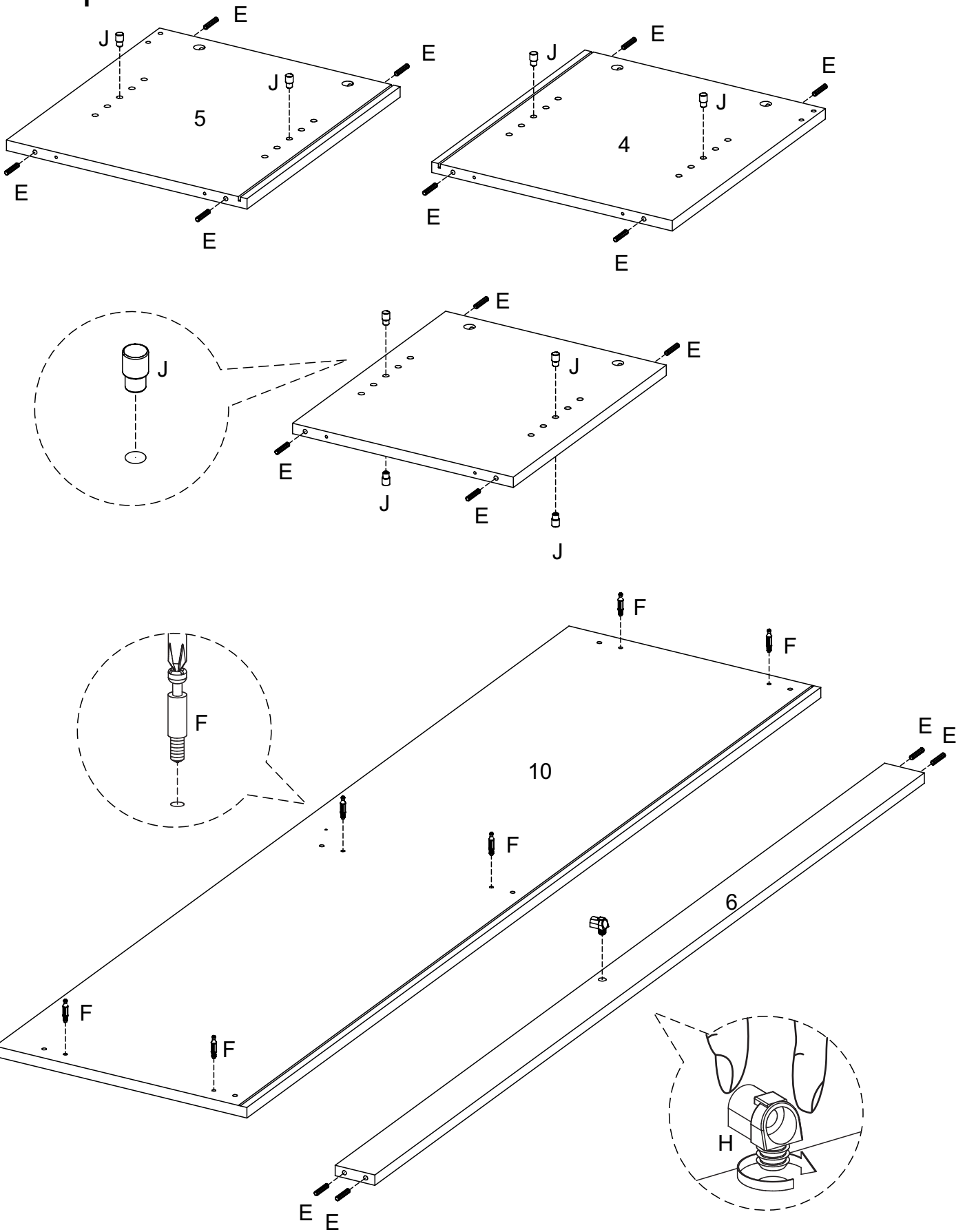


Phillips head screwdriver required for assembly

(not included)

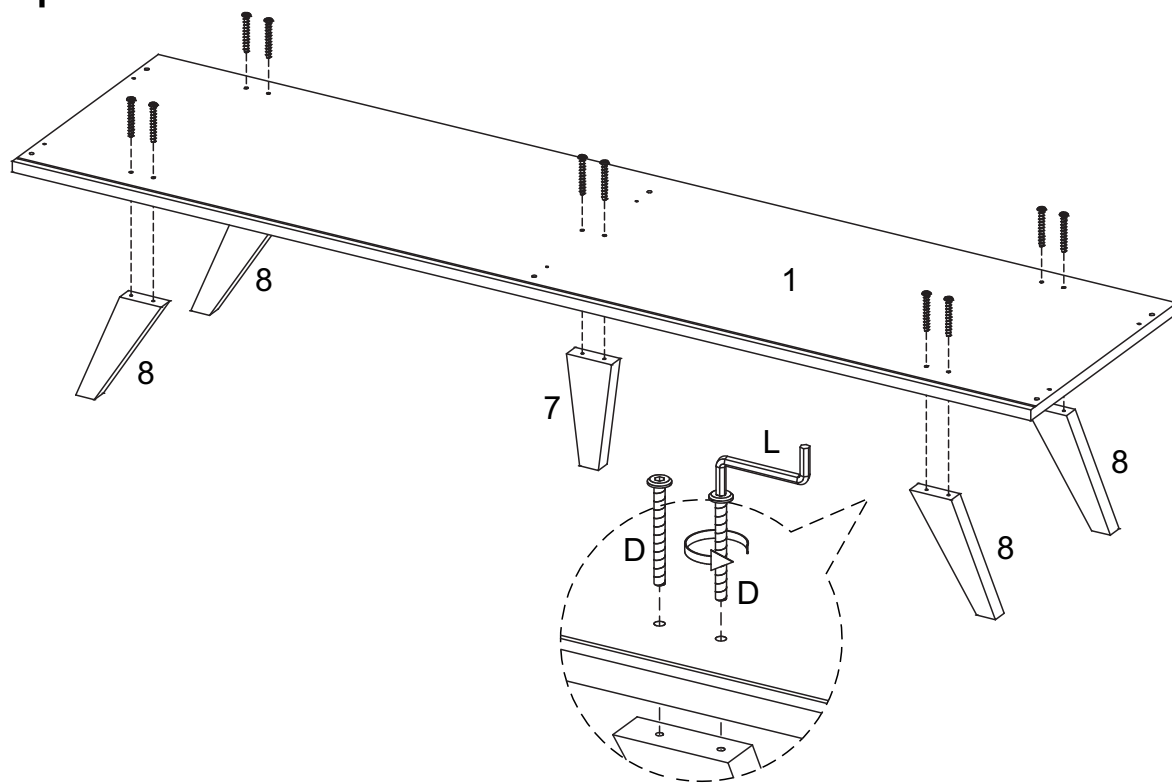
*The hardware quantities listed above are required for proper assembly.
Some extra hardware may also have been included.*

Step 1



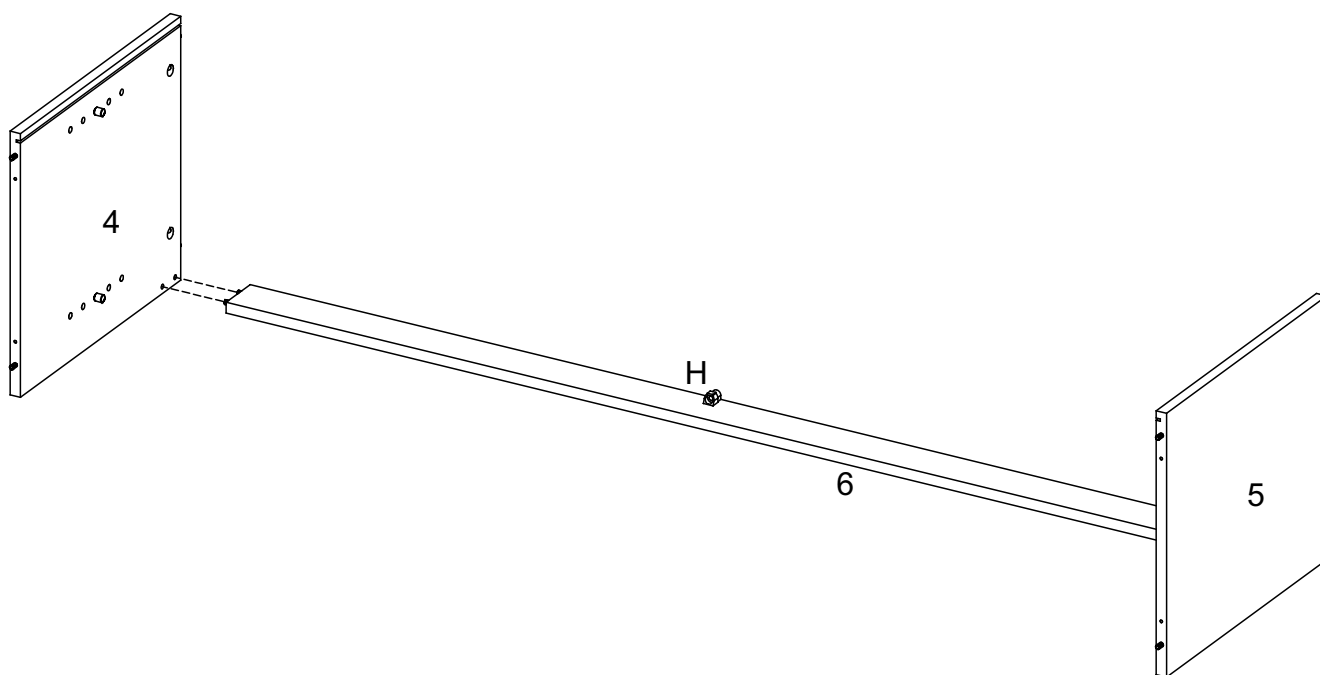
Insert wood dowels (E) into the indicated parts. Screw Cam Bolt (F) into top panel (10). Place shelf support pins (J) into right and left side panels (4,5) and into both sides of divider panel (3) as shown. Insert plastic support (H) into front rail (6).

Step 2



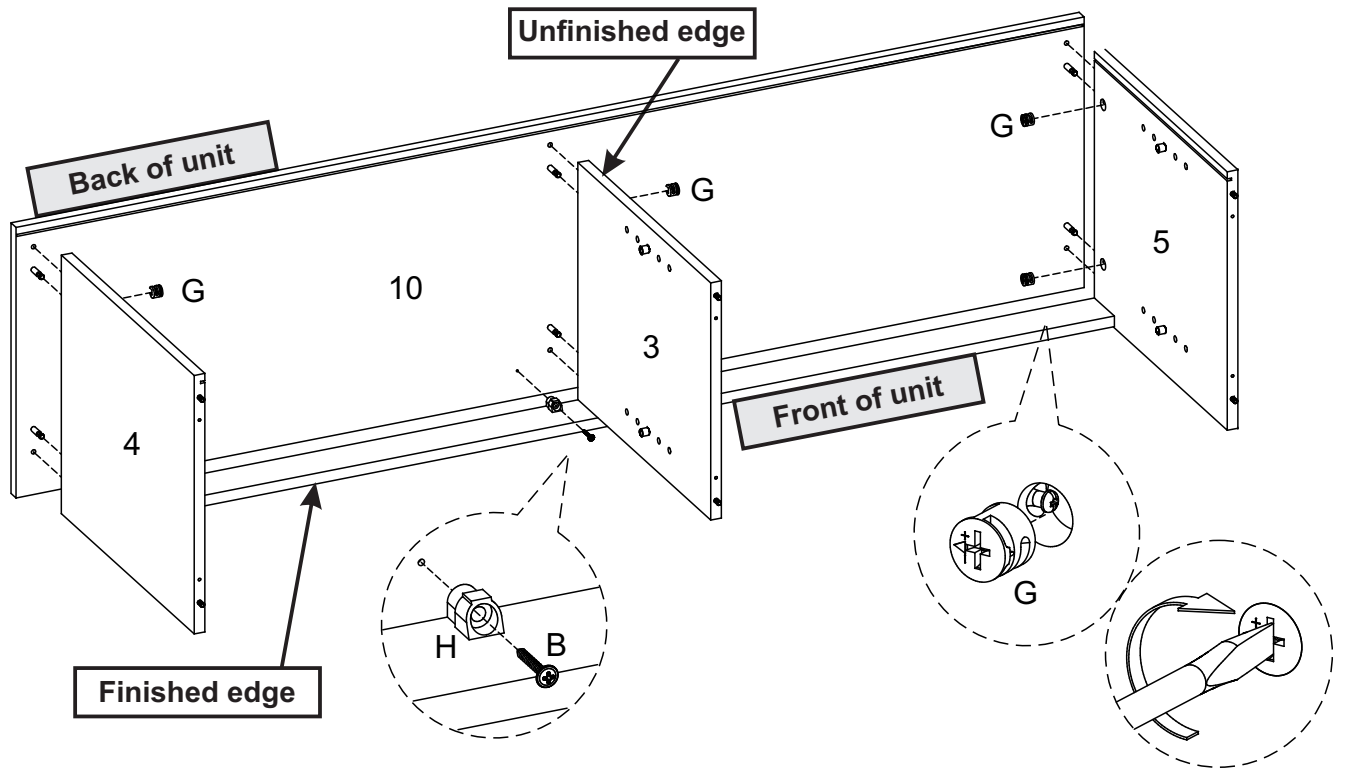
Attach feet (7,8) to base panel (1) with screw (D) and hex key (L).

Step 3



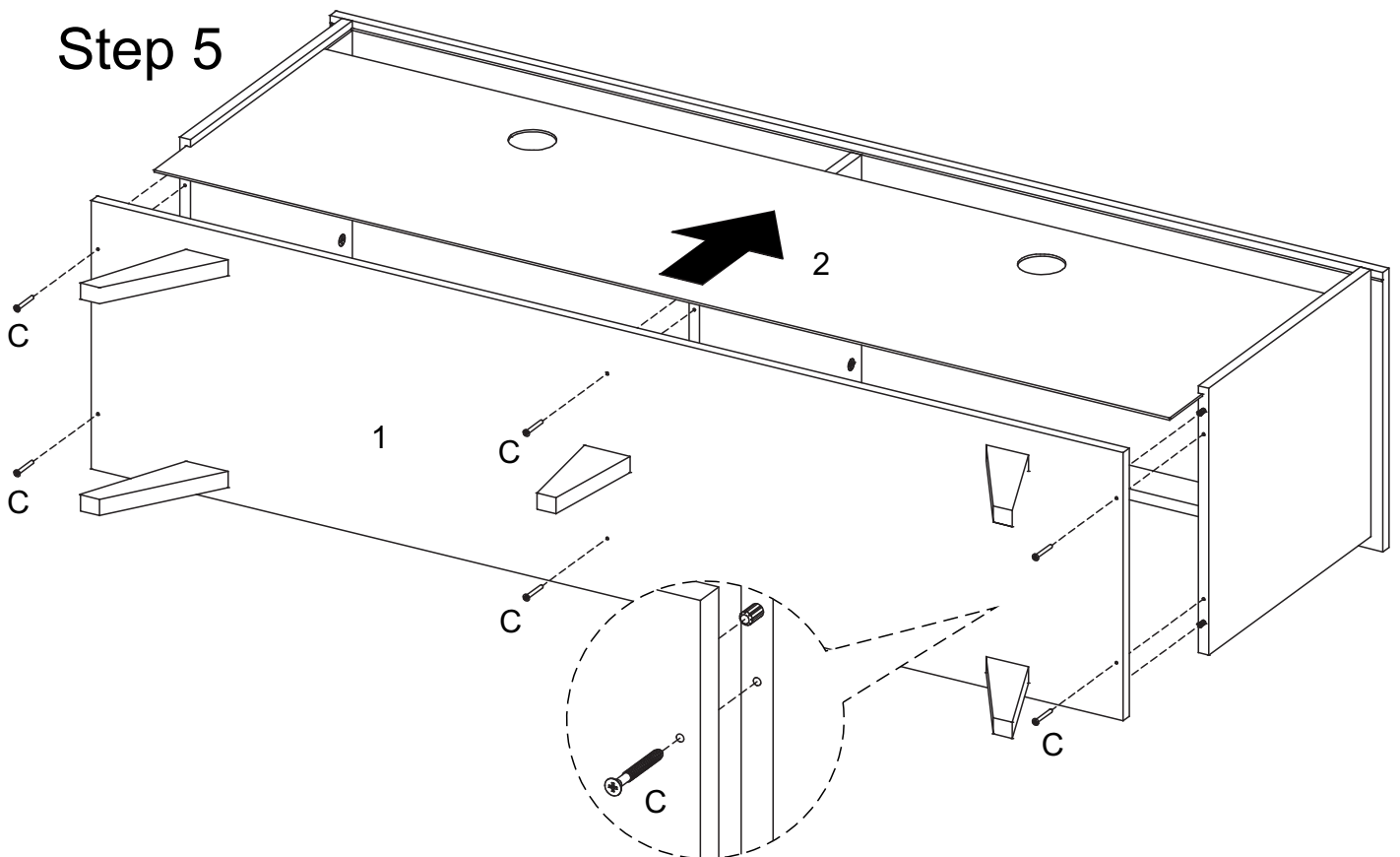
Join front rail (6) between the side panels (4) and (5) as shown. Note the position of part (H) for correct fit.

Step 4



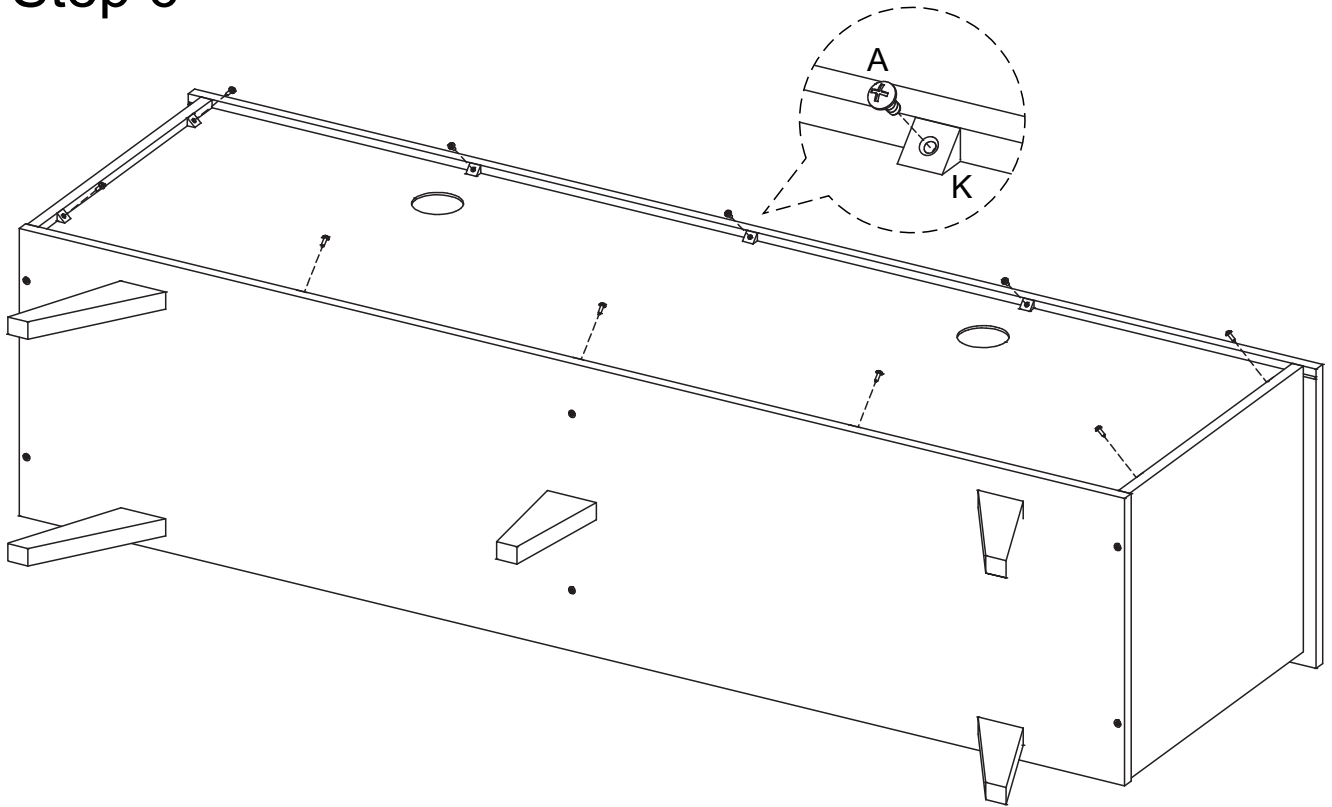
Fit side panels (4) (5) and middle panel (3) to top panel (10) as shown. Secure cam locks (G) where shown, with screwdriver (not included). Use screw (B) to secure to top panel (10) through plastic support (H).

Step 5



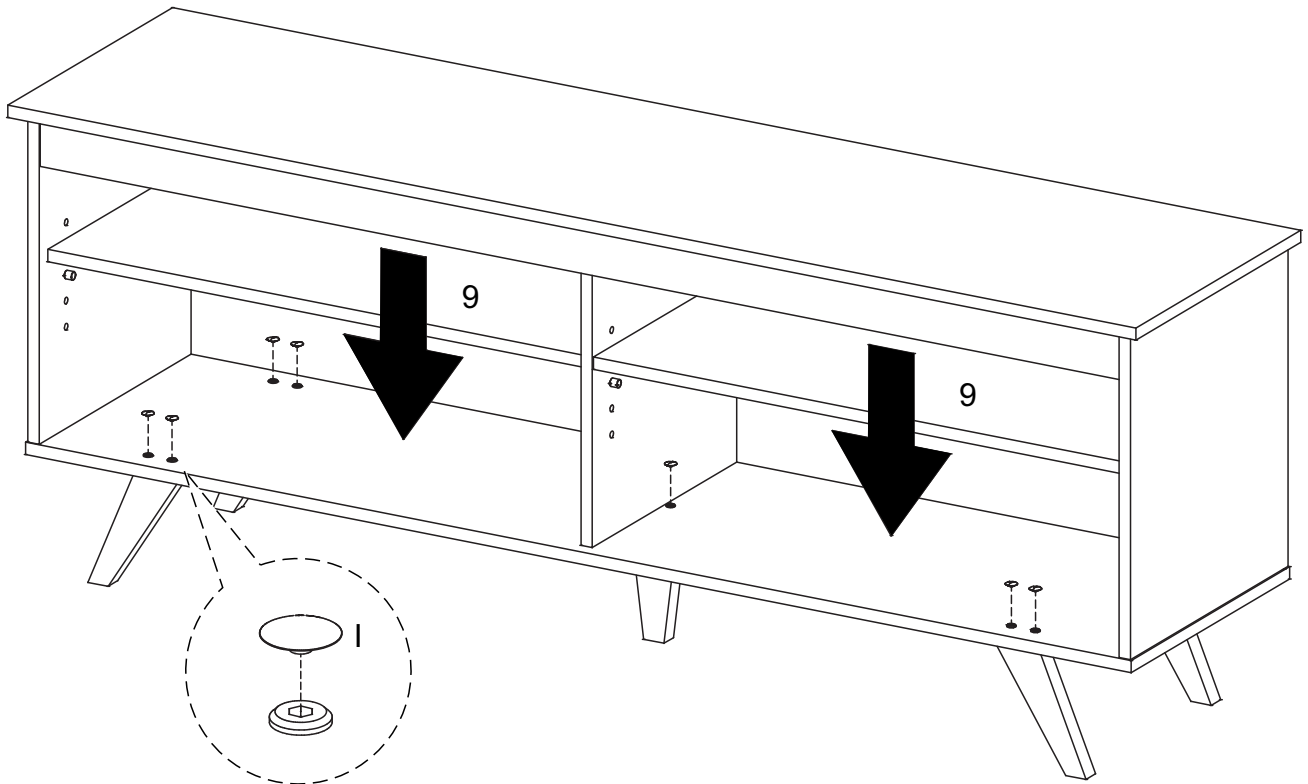
Insert back panel (2) into grooves on side panels (4) (5) and top panel (10). Secure base panel (1) to side panels (4) (5) and center panel (3) with screw (C) and screwdriver (not included).

Step 6



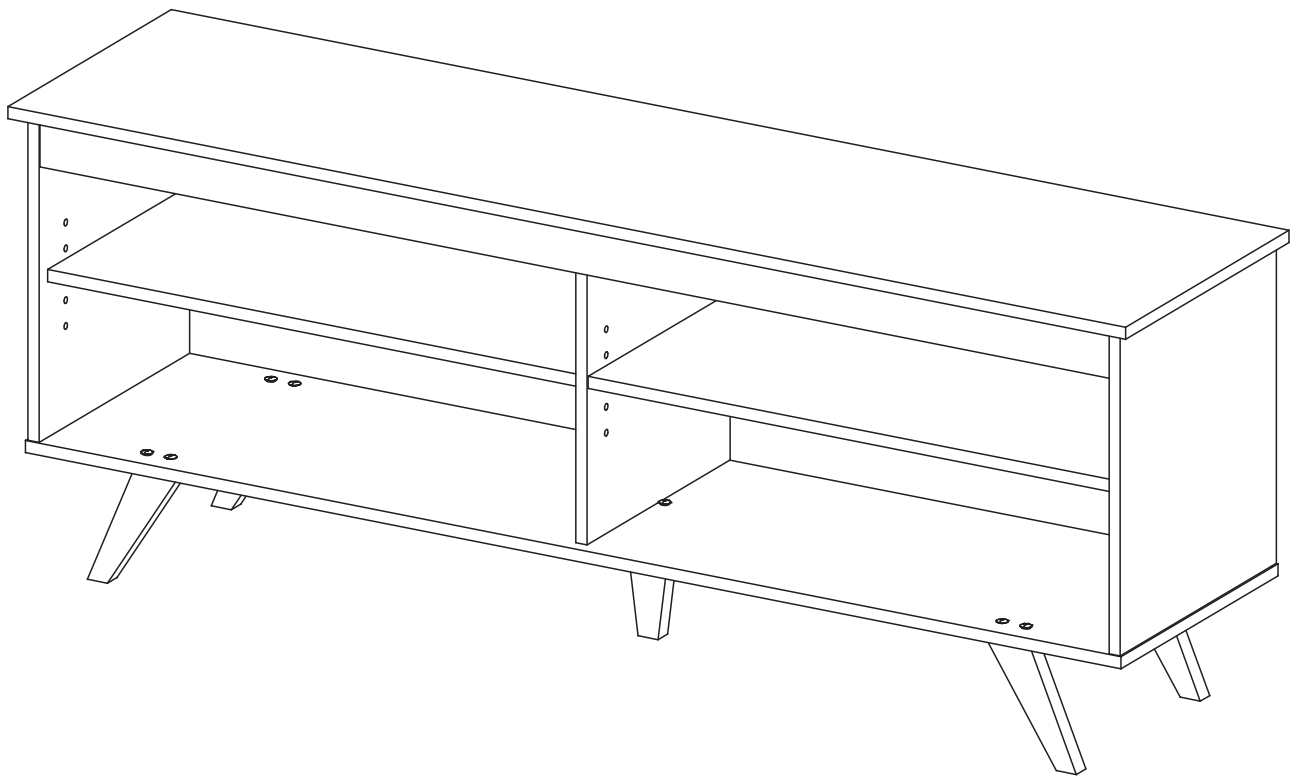
Secure back panel (2) with screw (A) and back support (K) with screwdriver (not included).

Step 7



Use plastic cap (I) to cover screw heads (D) as desired. Place the shelves (9) onto the support pins already fixed, as shown.

Step 8



Final Assembly