

1215R • 15" Solid Door Refrigerator • 1000 Series

FEATURES & BENEFITS



STAINLESS SOLID



INTEGRATED SOLID



BLACK SOLID

PERFORMANCE	<ul style="list-style-type: none"> • Volume of 2.9 cu ft holds up to 57 bottles (12 oz) or 92 cans (12 oz) • Digital Touch Pad Control is conveniently located on upper face of unit • Temperature range: 34°F - 45°F
INTERIOR/EXTERIOR	<ul style="list-style-type: none"> • White interior is illuminated with LED lighting • Three removable tempered glass shelves • Standard commercial stainless steel handle is interchangeable with professional handle accessory • Door swing is field reversible
INTEGRATION	<ul style="list-style-type: none"> • Unit is designed to be built-in or can be freestanding • Integrated model requires 3/4" custom door panel (panels not supplied by U-Line) • Four independently adjustable leveling legs provide a precise undercounter fit • Available in the following finishes: Stainless, Integrated & Black

MODEL DETAILS

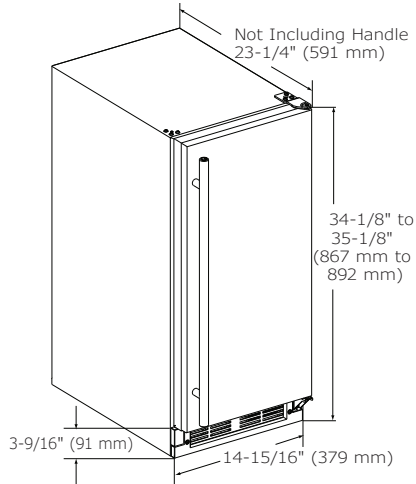
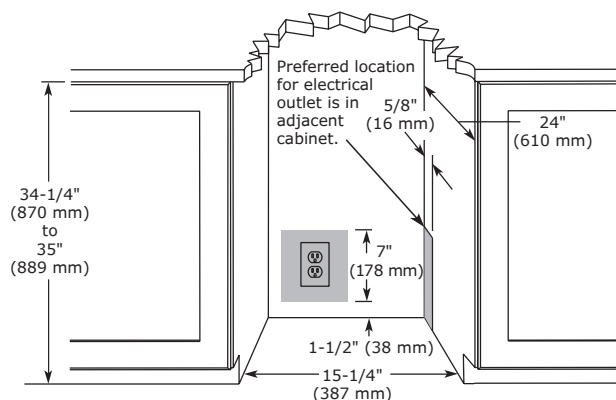
Model	Voltage/Hz	Door Swing	Finish	Shipping Weight
U-1215RS-00B	115 / 60	Field Reversible	Stainless Solid	83 lb
U-1215RINT-00B	115 / 60	Field Reversible	Integrated Solid	80 lb
U-1215RB-00B	115 / 60	Field Reversible	Black Solid	83 lb

ACCESSORIES

Model	Description	Finish	Shipping Weight
80-54247-00	Professional Door Handle, 1 1/4" Diameter	Stainless	2 lb
80-54214-00	Commercial Door Handle, 7/8" Diameter	Stainless	2 lb

1000 Series • 15" Solid Door Refrigerator • 1215R
DIMENSIONS

Dimensions shown apply to all finishes, including Integrated (INT) models with 3/4" integrated panel/frame installed.


CABINET CUT-OUT

SPECIFICATIONS

Model	1215R
Amps: Running	1.2
Capacity: Bottle (12 oz)	57
Capacity: Can (12 oz)	92
Capacity: Volume (cu ft)	2.9
Control Type	Digital Touch Pad
Dimensions: Product Depth	23 3/4" / 591 mm
Dimensions: Product Height	34 1/8" / 867 mm
Dimensions: Product Width	14 15/16" / 379 mm
Energy Consumption: Avg. Per Year	225 kWh
ENERGY STAR / CEE RATING	ENERGY STAR / Tier 3
Panel Height	30 1/4" / 768 mm
Panel Thickness	3/4" / 20 mm
Panel Type	Solid Panel
Panel Width	14 3/4" / 375 mm
Product Weight: Max	76 lb
Refrigerant Type	R600a
Sabbath (Star K Certified)	Yes
Temperature Range	34°F - 45°F

INSTALLATION NOTES

When installing adjacent to wall, ensure 2 1/2" clearance on hinged side for 90° door opening, allowing ample room for door handle.

Cutout includes the additional 1/4" width overall to ensure proper installation.

No additional clearance around sides, top or rear of unit is needed for ventilation.

Do not obstruct front grille air flow.

COOLING SYSTEM

ELECTRICAL REQUIREMENTS

This unit requires a grounded, polarized 115 VAC, 60 Hz, 15 A power supply (normal household current).

Please visit U-Line.com to view this model's User Guide. All specifications are subject to change without notice.



Residential & Commercial