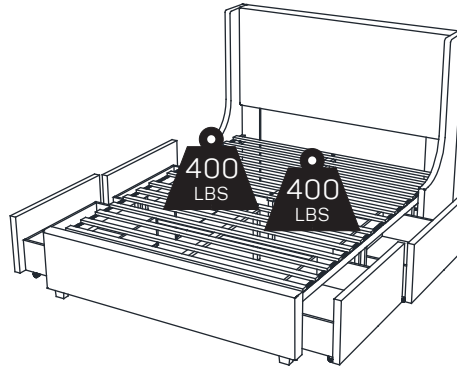
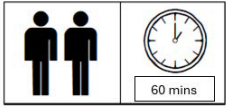


Platform Bed With Storage

889142929000
889142928973
889142928942



ASSEMBLY INSTRUCTIONS

Before You Begin: **Phillips screwdriver or a power drill and hammer required for assembly (Not Included).**



NOTE: This item ships in more than one box, please ensure you have all parts before beginning assembly.

Please identify all component parts and hardware pieces required before you begin. Carefully remove all of the components from the packaging and set aside for assembly. Assemble on a soft surface to prevent scratching during assembly.

Caution:

Tighten all components securely before use. Failure to do so may result in personal injury.

DO NOT use any sharp objects to open plastic wrapped components as damage to product or components may result.

Warning:

**CHOKING HAZARD - Small Parts Adult Assembly Required.
DO NOT ALLOW CHILDREN TO CLIMB ON FURNITURE**

Serious or fatal injuries can occur from furniture tipping over. You must install Tipping Restraint Hardware where included to help prevent the unit from tipping and causing accidental injury, instability, death, or damage. The tipping restraint is intended only as a safety measure, it is not a substitute for proper adult supervision. To help prevent furniture from tipping over it must be permanently attached to the wall.

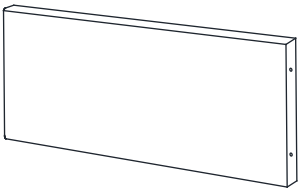
Anti-Tip Safety Wall Straps suitable for the unit weight and wall materials if not included should be purchased and installed.



Customer Service Email: CustomerExperience@theubiquegroup.com | Phone: 866-552-2810

Part

Part 1: Headboard



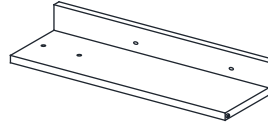
1 pc

Part 2: Headboard Wing



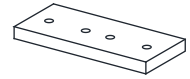
2 pcs

Part 3: Headboard Leg



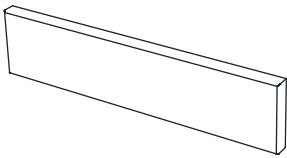
2 pcs

Part 4: Headboard Support Board



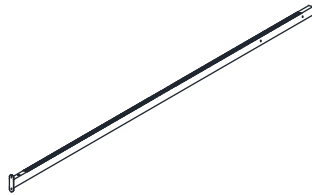
2 pcs

Part 5: Footboard



1 pc

Part 6: Metal Side Rail



2 pcs

Part 7: Metal Side Rail Leg



6 pcs

Part 8: Metal Guide Bar A



1 pc

Part 9: Metal Guide Bar B



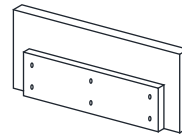
3 pcs

Part 10: Side Rail Leg



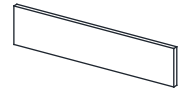
2 pcs

Part 11: Drawer Face



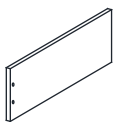
4 pcs

Part 12: Drawer Back



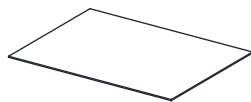
4 pcs

Part 13: Drawer Side Rail



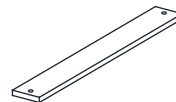
8 pcs

Part 14: Drawer Panel



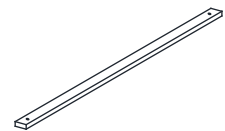
4 pcs

Part 15: Drawer Bottom Rail



16 pcs

Part 16: Center Support Rail



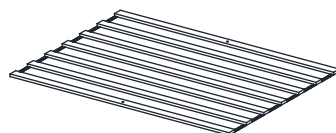
2 pcs

Part 17: Center Support Leg



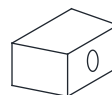
4 pcs

Part 18: Slats



2 set

Part 19: Bed Leg



2 pcs

Hardware

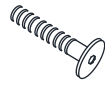
NOTE: PHILLIPS SCREWDRIVER & HAMMER REQUIRED (NOT INCLUDED)



JCBB M8 X 2"

JCBB M8 x 50mm

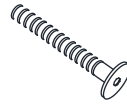
Part A 2 pcs



JCBB M8 X 1 6/8"

JCBB M8 x 45mm

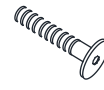
Part B 8 pcs



JCBC M6 X 3 1/8"

JCBC M6 x 80mm

Part C 6 pcs



JCBC M6 X 2 3/8"

JCBC M6 x 60mm

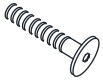
Part D 4 pcs



JCBC M6 X 1 6/8"

JCBC M6 x 45mm

Part E 22 pcs



JCBC M6 X 1 1/8"

JCBC M6 x 30mm

Part F 8 pcs



FLAT WASHER M8 X 6/8"

Flat Washer M8 x 18mm

Part G 8 pcs



SPRING WASHER M8 X 1/2"

Spring Washer M8 x 13mm

Part H 8 pcs



FLAT WASHER M6 X 6/8"

Flat Washer M6 x 19mm

Part I 16 pcs



SPRING WASHER M6 X 1/2"

Spring Washer M6 x 12mm

Part J 16 pcs



CSK SCREW M4 X 1 2/8"

CSK Screw M4 x 32mm

Part K 64 pcs



CSK SCREW M3.5 X 5/8"

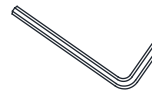
CSK Screw M3.5 x 16mm

Part L 64 pcs



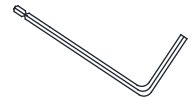
Nail

Part M 48 pcs



Allen Key M4

Part N 1 pc



Allen Key M5

Part O 1 pc



Caster

Part P 16 pcs



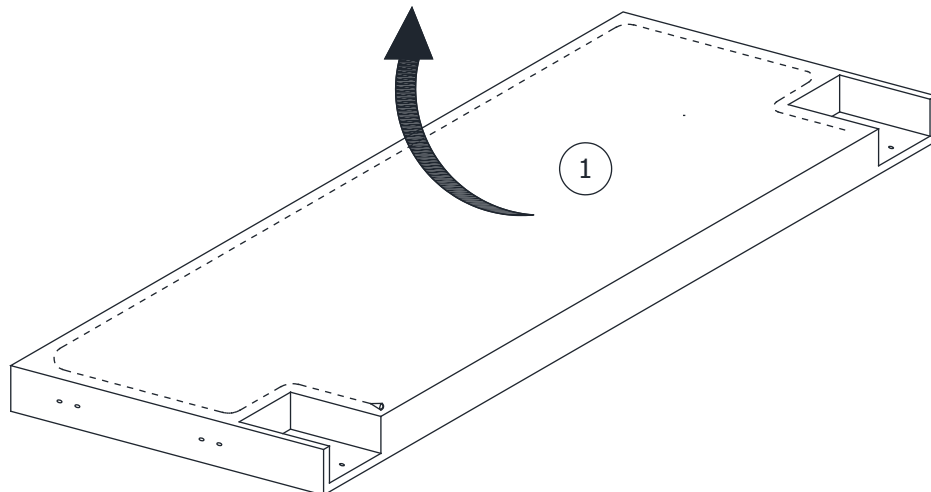
PLASTIC DOWEL M8 X 1"

Plastic Dowel M8 x 25mm

Part Q 4 pcs

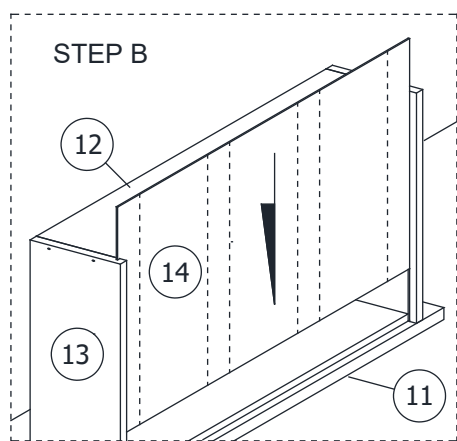
STEP 1:

Unzip the black non woven fabric on the back of headboard and remove all parts, then lay the non woven fabric back over the headboard.

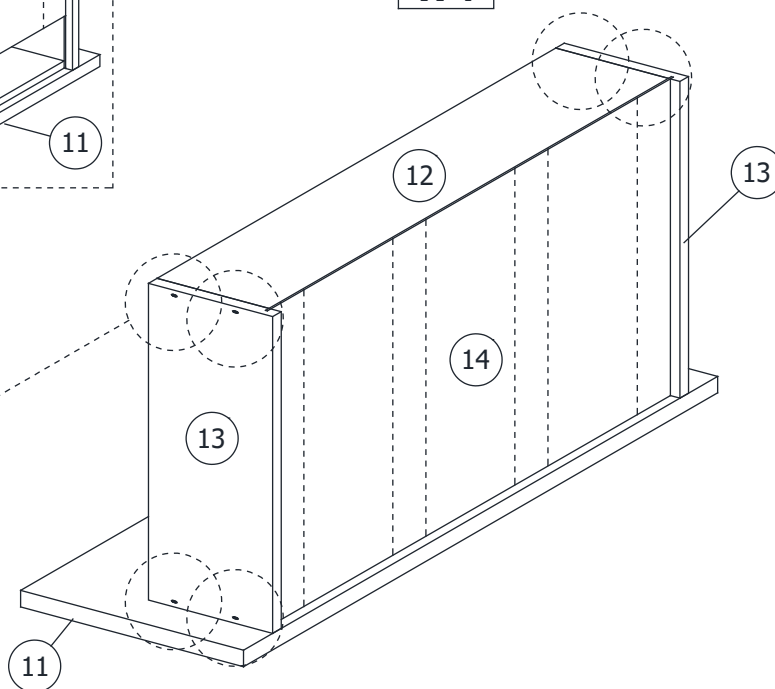
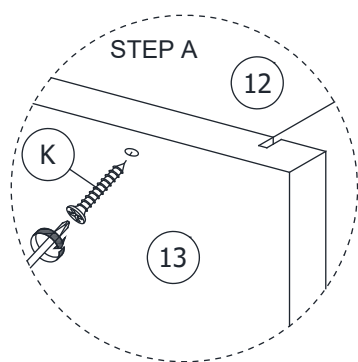


STEP 2:

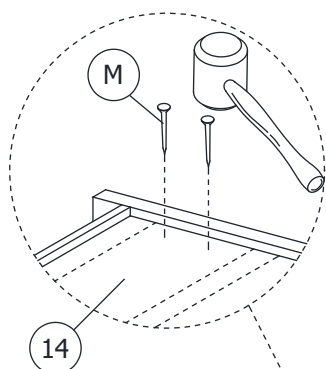
NOTE: Ensure that the grooves on the drawer face and side panels are aligned to fit the bottom drawer panel and that the finished side is facing up.



X 4

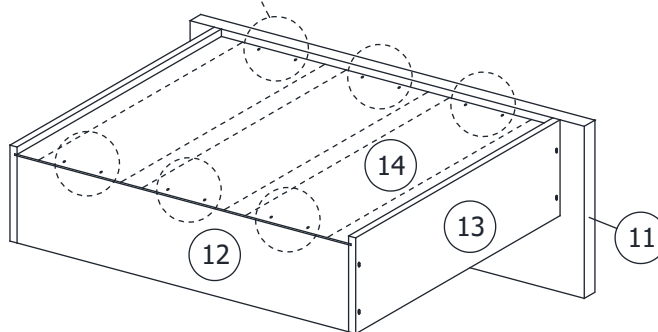


STEP 3:

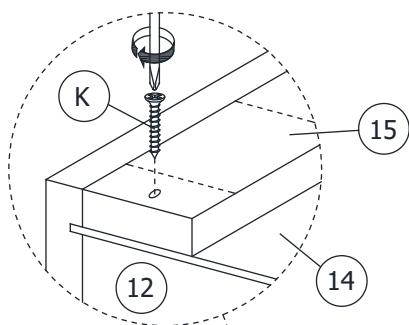


NOTE : Ensure that the drawer panel (14) and drawer back (12) are aligned to fix the nail (M). The nail (M) must be fixed between the outline pre-markings shown on drawer panel (14).

X 4

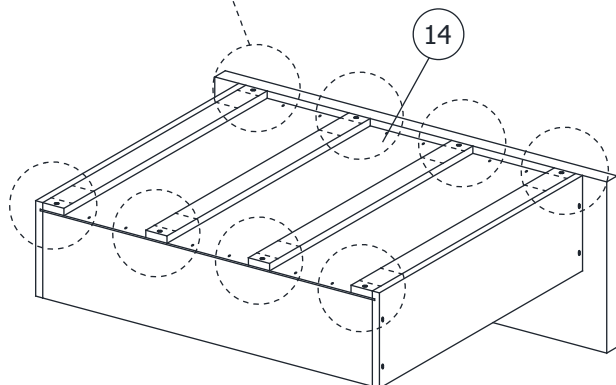


STEP 4:

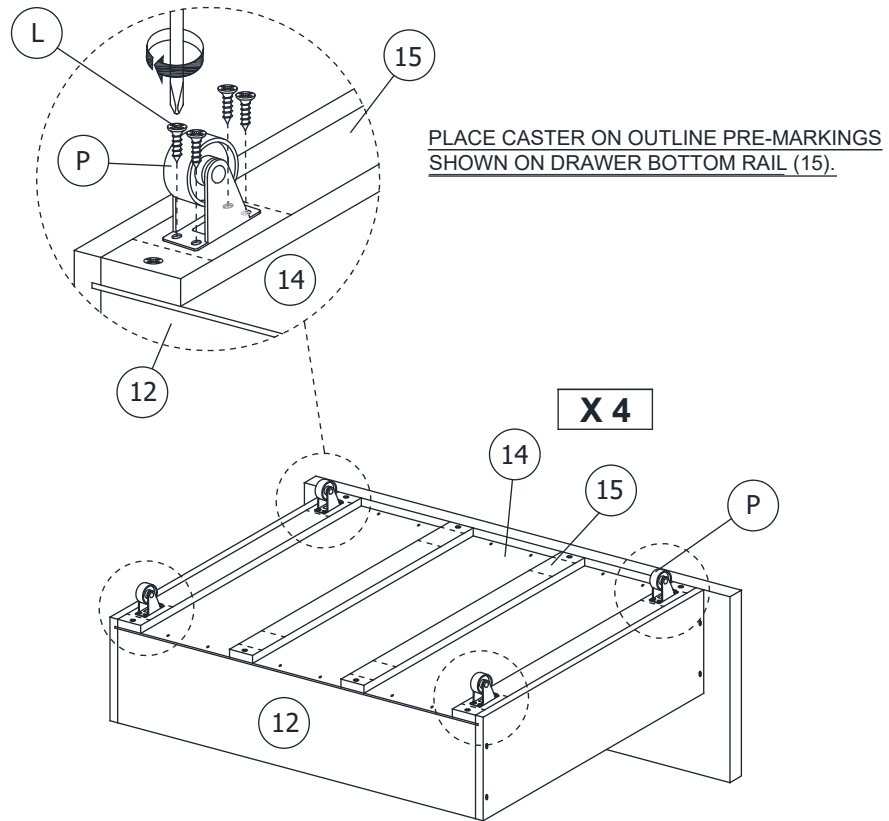


PLACE DRAWER BOTTOM RAIL (15) ON OUTLINE PRE-MARKINGS SHOWN ON DRAWER PANEL (14).

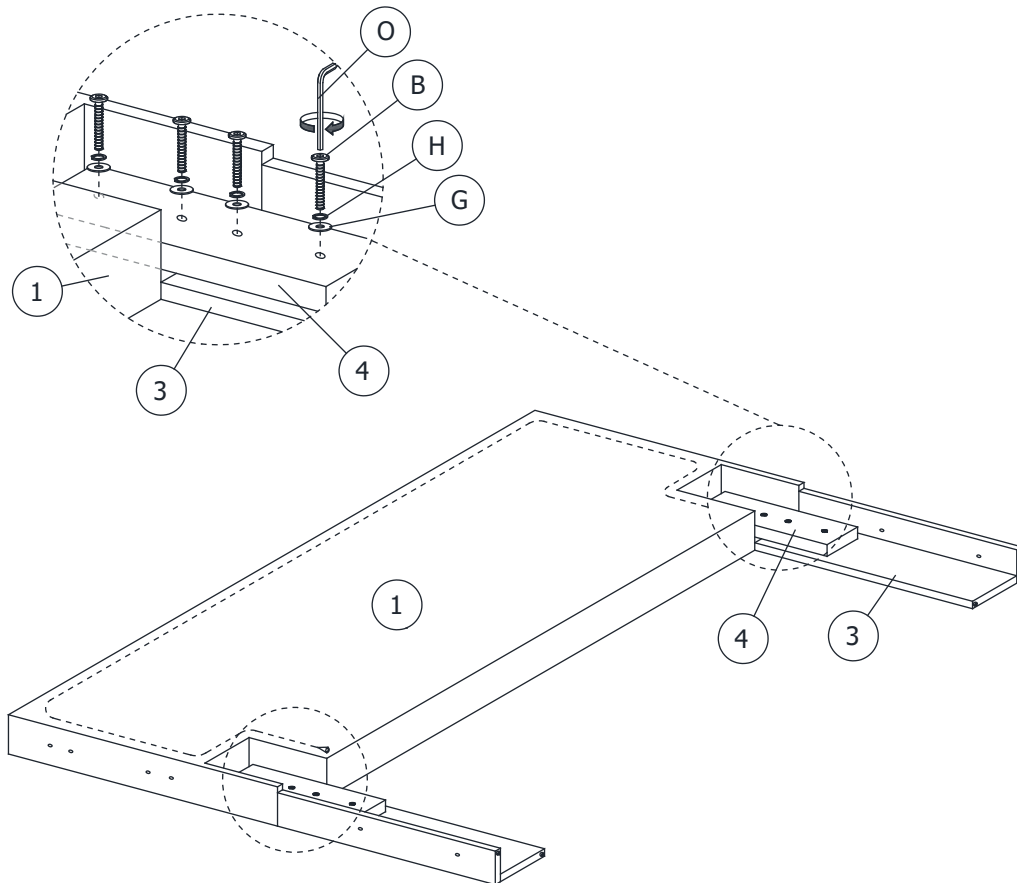
X 4



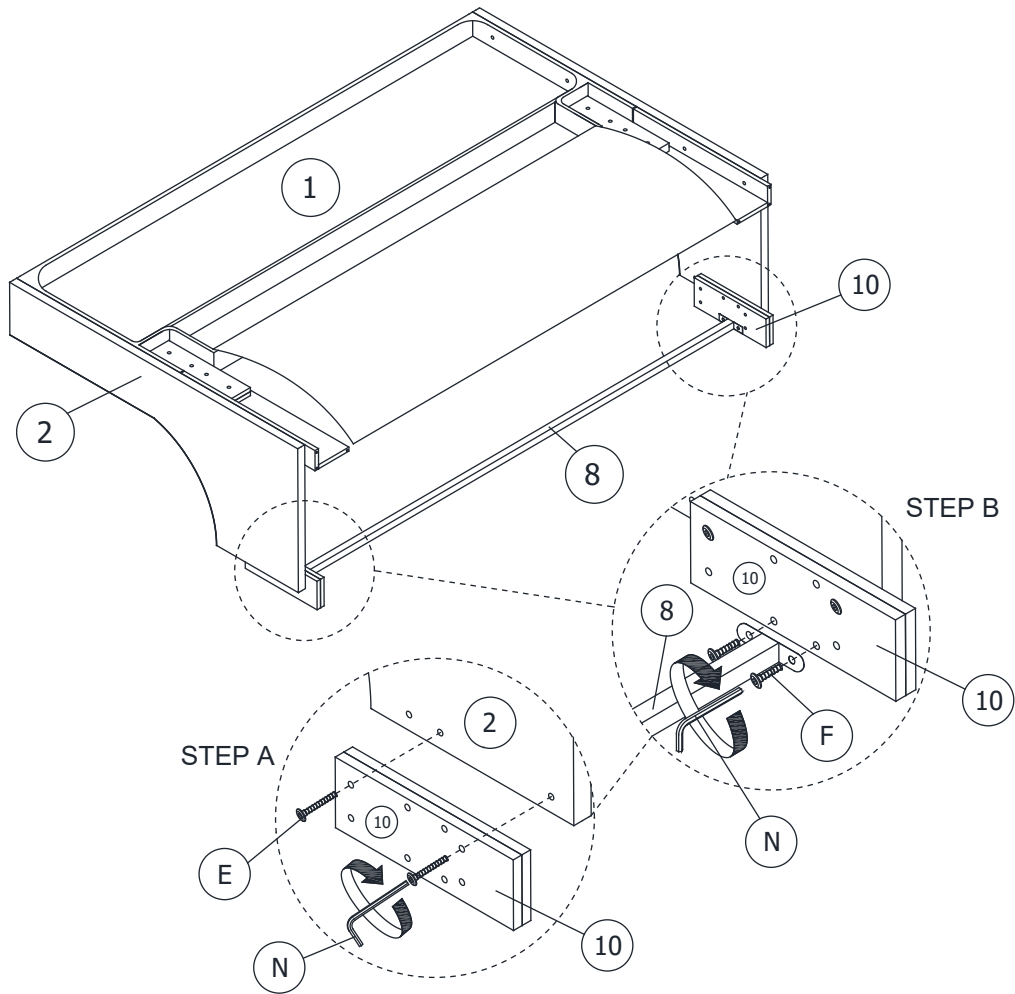
STEP 5:



STEP 6:

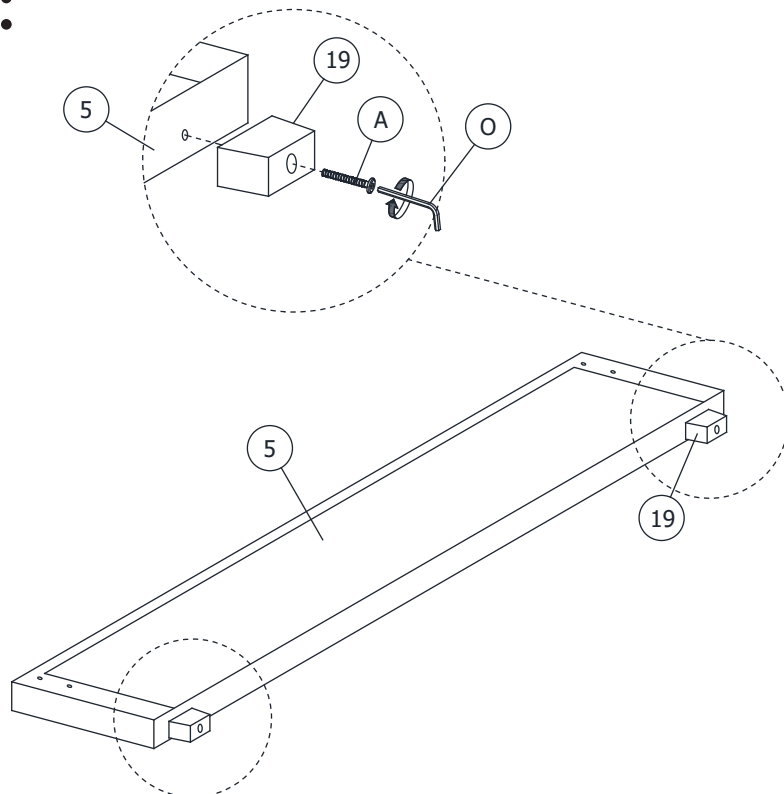


STEP 9:

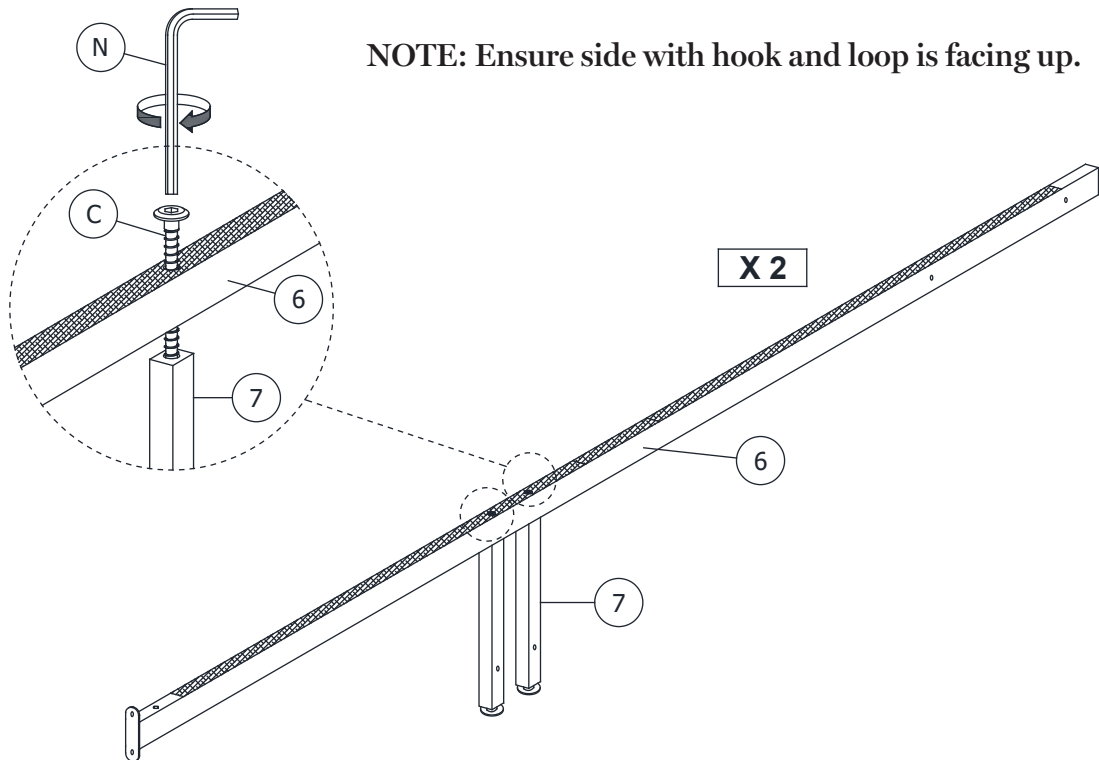


NOTE : Ensure the part sticker faces outward.

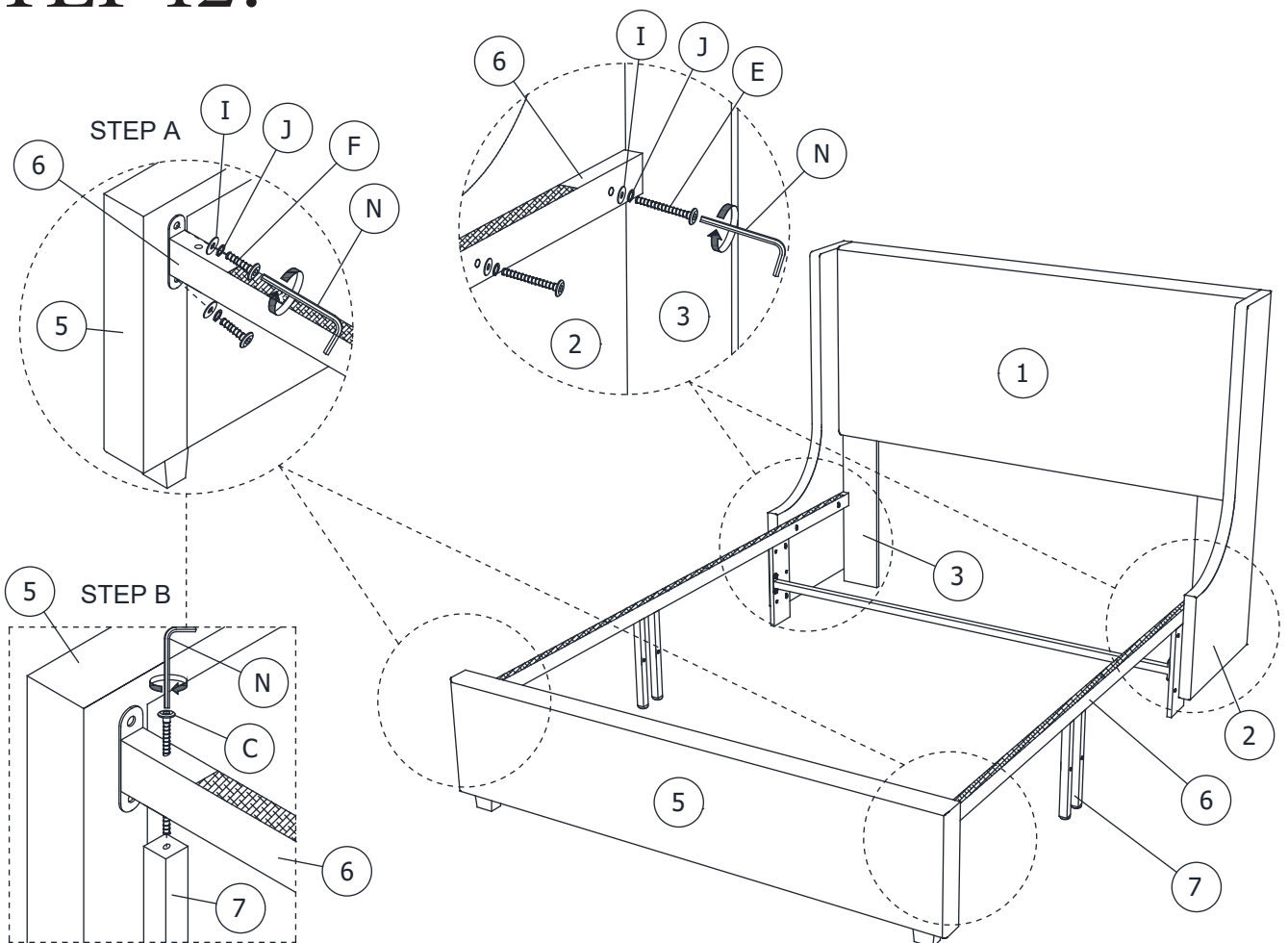
STEP 10:



STEP 11:

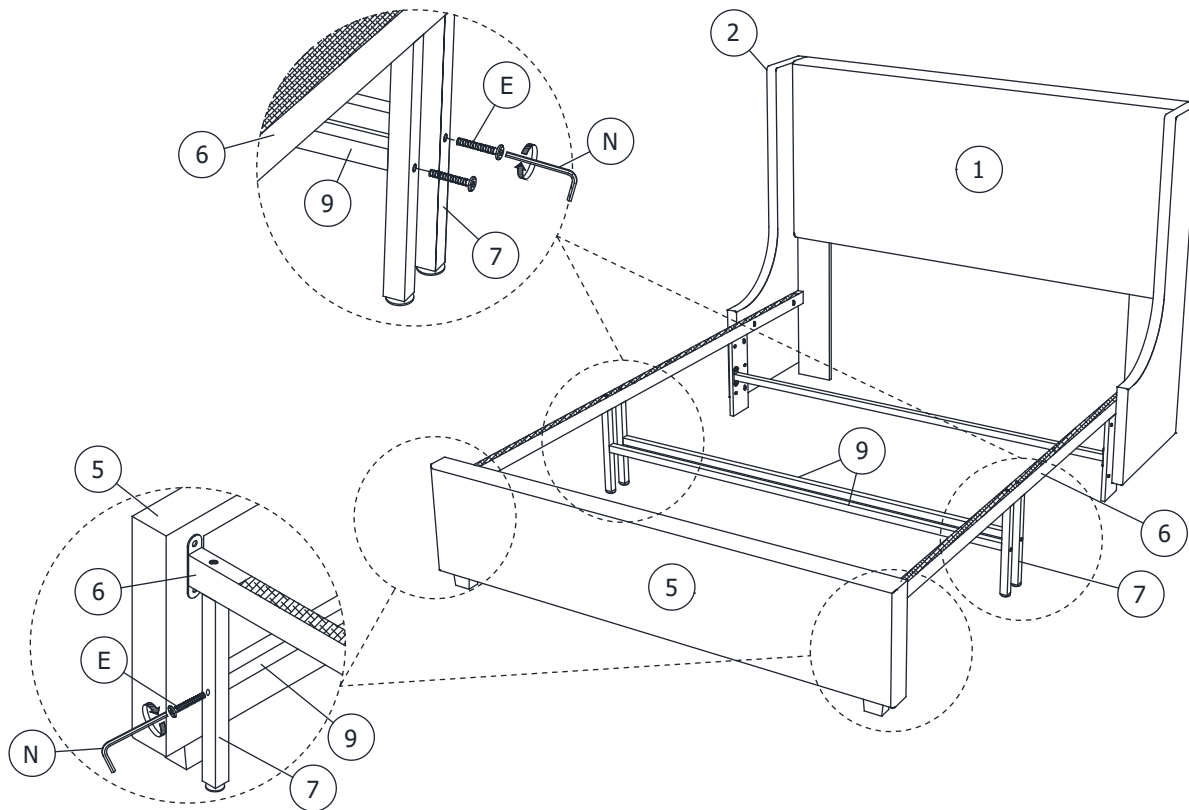


STEP 12:



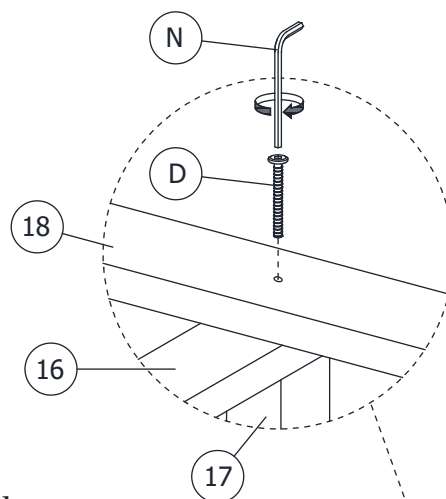
NOTE: Do not fully tighten JCBC Bolts (C) before attaching both Metal Guide Bars (9) in Step 13.

STEP 13:

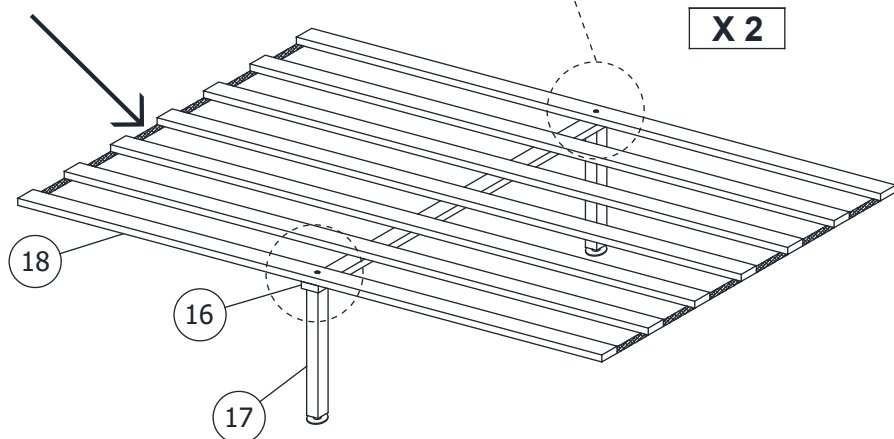


NOTE: Fully tighten all the JCBC Bolts (C & E).

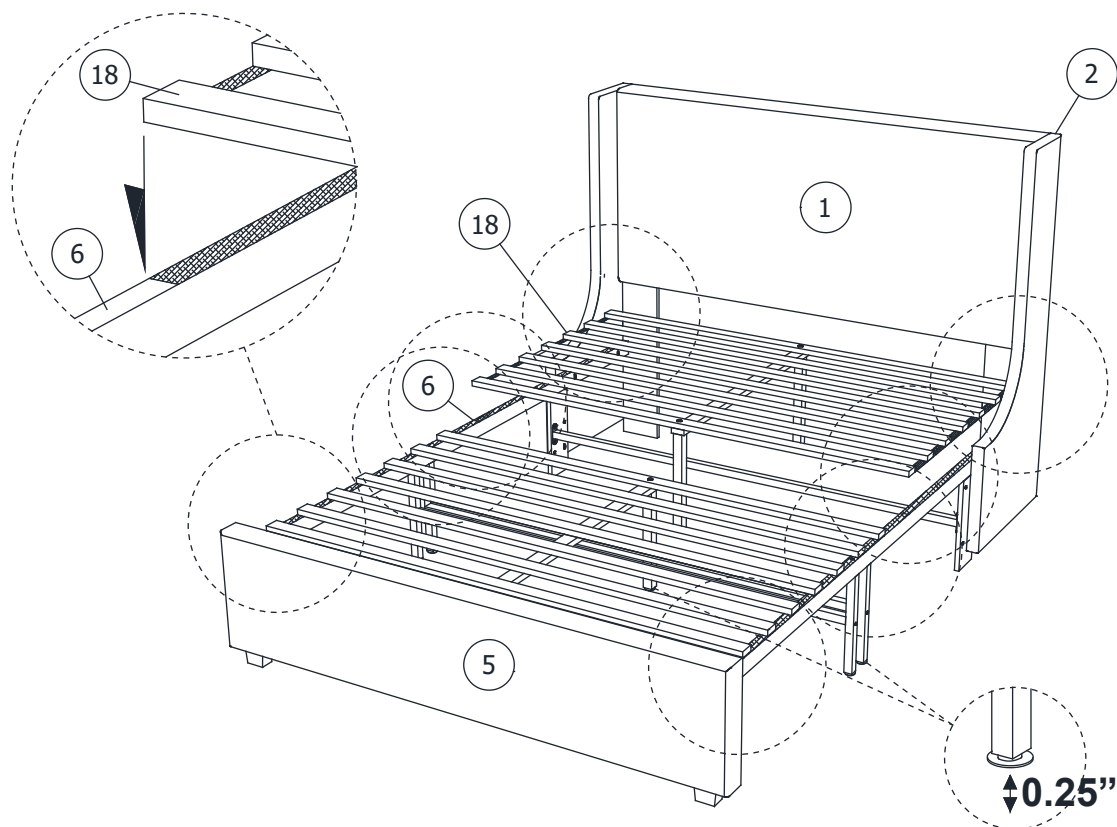
STEP 14:



NOTE: Ensure the hook and loop on the sides of the slat pieces are facing the floor.

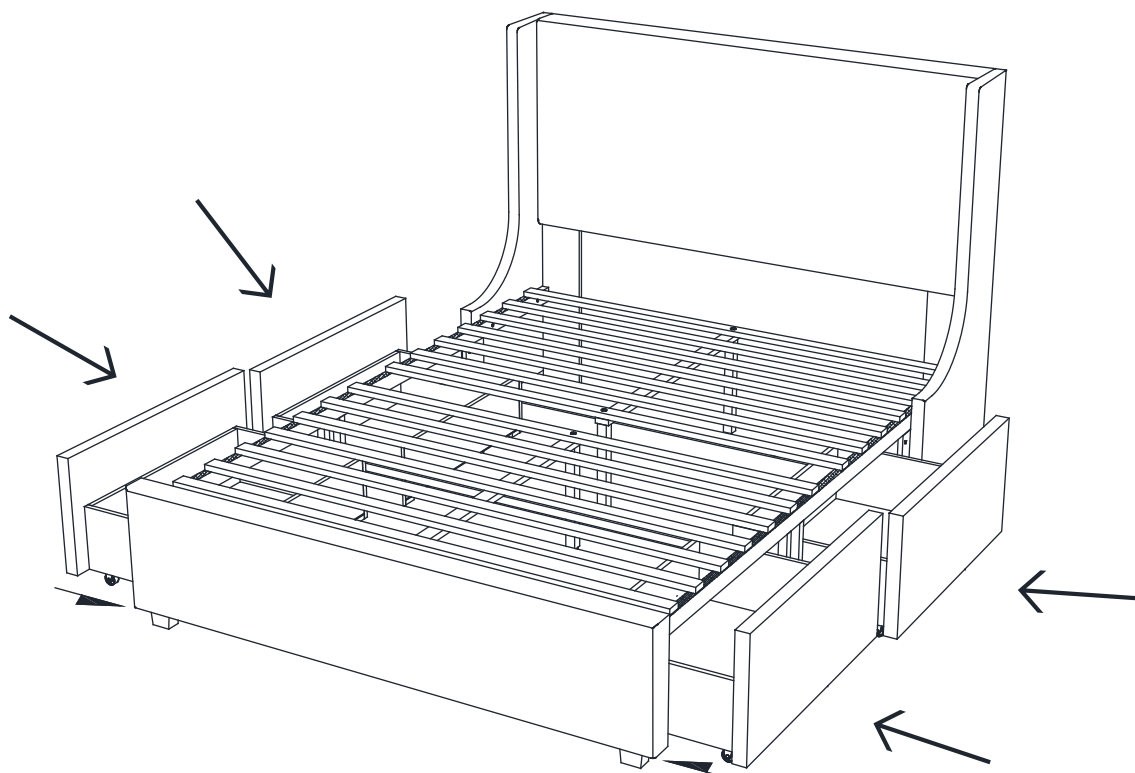


STEP 15:



ATTENTION: Do not adjust the glides on the center and siderail support legs more than 1/4" to avoid breakage.

STEP 16:



Quality and Safety Guidelines

- Please follow the static and dynamic weight capacity limits provided on this item. If you are unsure of the weight capacities for this product, email us at customerexperience@theubiquegroup.com or call 866-552-2810.
- Please use this item on a stable, level surface only. If any of the legs/casters of this product are not contacting the flooring surface, do not use.
- Do not use this item if any instability is detected.
- Carefully follow all of the assembly instructions. If all parts are not provided, please do not use this item. Please email us at customerexperience@theubiquegroup.com or call 866-552-2810 for assembly instructions.
- This item is intended for lying down , do not jump, climb or stand on this item.
- This item is for indoor use only.
- For product longevity, product safety and product integrity, this item should be stored indoors away from moisture.
- For storage instructions, please visit www.theubiquegroup.com.
- To prevent pinching or crushing injuries, please ensure fingers are away from the sides of the drawers when in motion.
- For product warranty details email us at customerexperience@theubiquegroup.com or call 866-552-2810.
- For maintenance instructions and replacement parts, please email us at customerexperience@theubiquegroup.com or call 866-552-2810.