

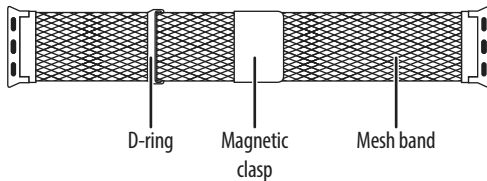


PLATINUM

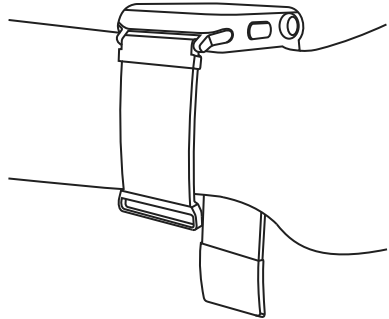
PACKAGE CONTENTS

- Magnetic Mesh Band
- *Quick Setup Guide*

FEATURES

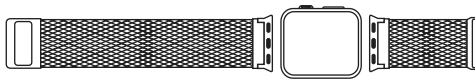


3 Put your Apple watch on your wrist.



ATTACHING YOUR BAND TO THE APPLE WATCH

- 1 Remove the existing watch band from your Apple watch.
- 2 Separate the new band into two pieces, then attach the pieces to your Apple watch (as shown below).



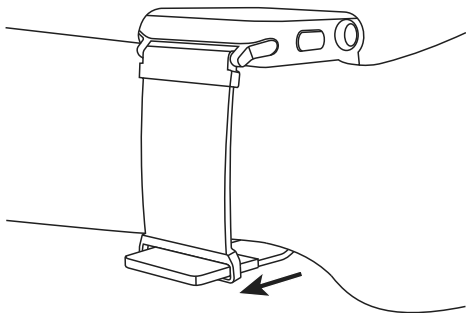
PT-AWB38GMB3 / PT-AWB42GMB3 / PT-AWB38SMB / PT-AWB38BMB / PT-AWB42SMB / PT-AWB42BMB

MAGNETIC MESH BAND FOR APPLE WATCH®

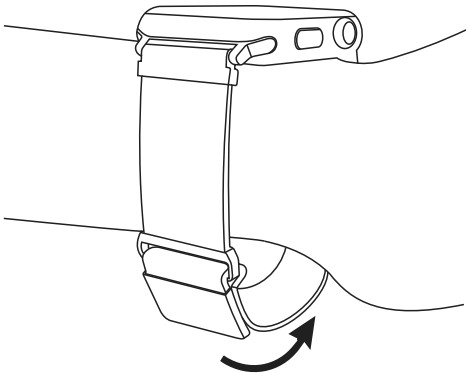
QUICK SETUP GUIDE

Before using your new product, please read these instructions to prevent any damage.

- 4 Pass the magnetic clasp on the long band through the D-ring of the short band.



- 5 Pull the magnetic clasp on the long band snug to tighten the band.



ONE-YEAR LIMITED WARRANTY

CONTACT PLATINUM

For customer service, call 1-800-499-3964.

Apple Watch is a trademark of Apple Inc., registered in the U.S. and other countries.

The Pt logo is a registered trademark of Best Buy.

PLATINUM is a trademark of Best Buy and its affiliated companies.

Distributed by Best Buy Purchasing, LLC

7601 Penn Ave South, Richfield, MN 55423 U.S.A.

©2017 Best Buy. All rights reserved.

Made in China