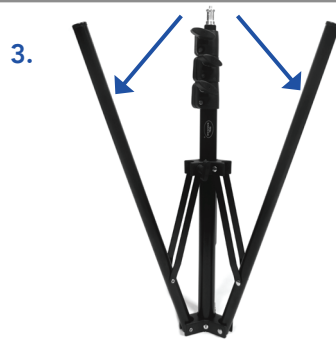




### SET UP LIGHT STAND



1. PLACE STAND VERTICALLY & TWIST LOCK TO LOOSEN.



3. PULL LEGS APART & ROTATE TOWARDS FLOOR. TIGHTEN LOCK.



4. LOOSEN LOCKS FOR EACH UPRIGHT SECTION & EXTEND TO DESIRED HEIGHT. TIGHTEN LOCKS.

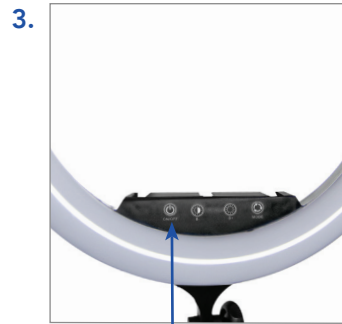
### USING RINGLIGHT



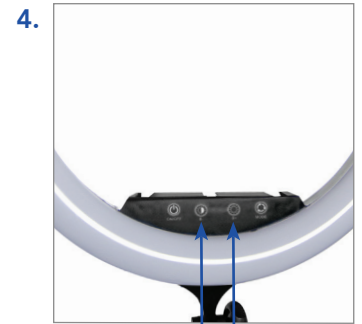
1. MOUNT TO LIGHTSTAND & TIGHTEN KNOB



2. ATTACH AC POWER CORD



3. PRESS POWER BUTTON



4. BRIGHTEN DIM



5. COLOR CORRECTION ADJUSTMENT. HOLD UNTIL DESIRED TEMPERATURE IS REACHED.



6. ATTACH MIRROR & TIGHTEN KNURLED KNOB



7. ATTACH BENDABLE ARMS INTO FEMALE THREADS



8. INSERT PHONE INTO HOLDER

### BACKDROP



FIND EVEN, FLAT WALL TO ATTACH ADHESIVE HOOKS



PLACE ADHESIVE HOOKS 5' APART & HANG BACKDROP FROM GROMMETS

*\*Tip: Use gray side for a neutral background, or green for chroma key applications. Ensure backdrop is pulled taut. Steam backdrop to remove wrinkles.*

