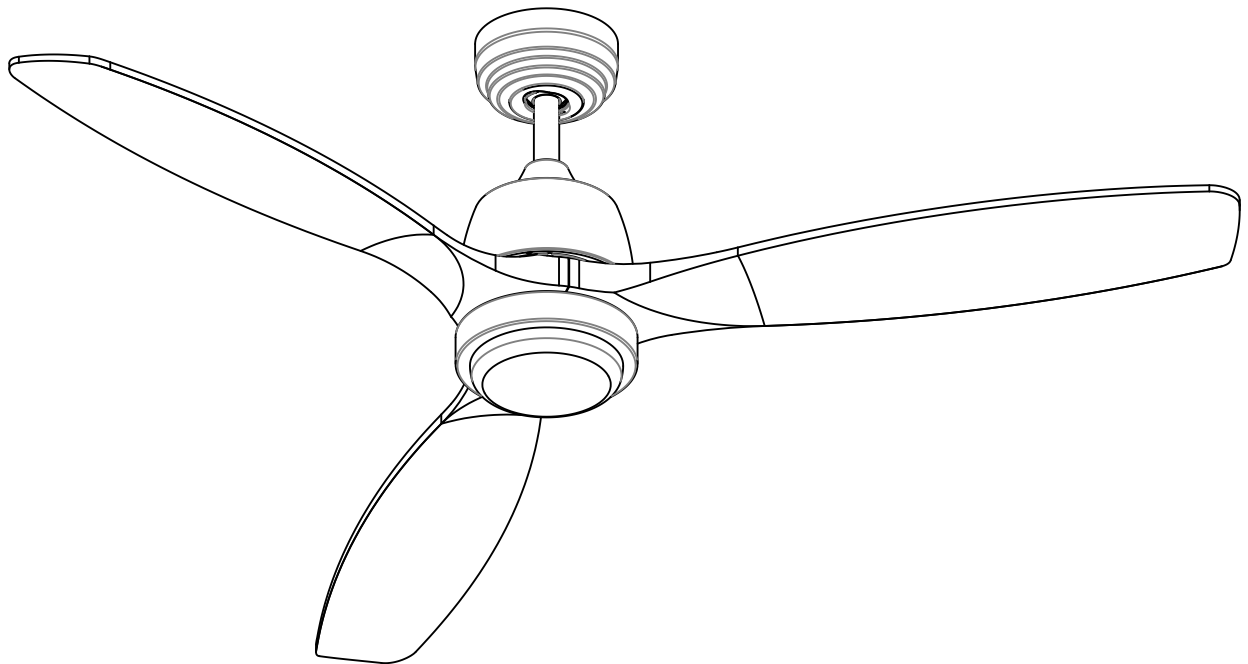




60" Ceiling Fan with Wooden Blades and LED

Owner's Manual

Models: ILG8CF60WD-LED



PLEASE READ AND
SAVE THESE INSTRUCTIONS

IMPORTANT SAFETY INSTRUCTIONS

Read instructions carefully before assembling or installing your fan. It is important that you observe all safety information to help prevent personal injury and/or property damage.

1. To ensure the success of the installation be sure to read the instructions and study the diagrams thoroughly.
2. For your safety, all electrical connection and disconnection must be performed by a Licensed Electrician, in accordance with the National Electrical Code, ANSI/NFPA 70 and local codes.
3. All electrical work should only be undertaken after disconnection of the power by turning off the electrical supply.
4. Make sure that your installation location will not allow the rotating fan blades to come into contact with any object and that there is a minimum clearance of 11-7/8in from the blade tip to the wall or nearest object. Please note that the bigger this clearance is the better the airflow from your fan will be. Ensure the blades are mounted at a minimum height of 7 feet from the floor when the fan is installed.
5. The fan must be grounded.
6. Do not connect the fan motor to a dimmer switch. This may give an unsatisfactory performance (motor hum)and cause damage to the motor. Only use the supplied fan controller.
7. It is not recommended that ceiling fans and gas appliances be operated in the same room at the same time.
8. The fan must be turned off and stopped completely before reversing the fan direction. This will prevent any damage to the motor of the unit or controller.
9. Do not insert anything into the fan blades while the fan is operating, as this may cause personal injury, damage the blades, and upset the balance of the unit causing it to wobble.
10. After the fan is completely installed make sure that all connections are secured and tightened to prevent any noise problems from loose parts.
11. Because of the fan's natural movement, some connections may loosen. Check the support connections, brackets and blade attachments twice a year to make sure they are all secured. If they are loose, tighten with a screw driver.
12. Check that the outlet box is securely installed in place such that it is able to support at least the fan weight.
13. The replacement of parts of the safety suspension system device shall be performed by the manufacturer, its service agent or suitably qualified persons.
14. The mounting of the suspension system shall be performed by the manufacturer, its service agent or suitably qualified persons.



WARNING - To reduce The Risk Of Fire Or Electric Shock, Do Not Use This Fan With Any Solid-State Speed Control Device.



WARNING - To Reduce The Risk Of Fire, Electric Shock Or Injury To Persons, Do Not Use Replacement Parts That Have Not Been Recommended By The Manufacturer (e.g. Parts Made At Home Using A 3D Printer).



WARNING - To Reduce The Risk Of Electric Shock, This Fan Must Be Installed With An Isolating Wall Control/Switch.



WARNING - To Reduce The Risk Of Personal Injury, Do Not Bend The Blade Brackets When Installing The Brackets, Balancing The Blades, Or Cleaning The Fan. Do Not Insert Foreign Objects In Between Rotating Fan Blades.



WARNING - To Reduce The Risk Of Fire, Electric Shock, Or Personal Injury, Mount To An Outlet Box Marked 'Acceptable for Fan Support of 15.9 kg (35 lbs) or less'. And Use Mounting Screws Provided With The Outlet Box.



WARNING - If unusual oscillating movement is observed, immediately stop using the ceiling fan and contact the manufacturer, its service agent or suitably qualified persons.



CAUTION - To Reduce The Risk Of Electric Shock, Disconnect The Electrical Supply Circuit To The Fan Before Installing Light Kit.

READ AND SAVE THESE INSTRUCTIONS

BEFORE INSTALLATION

Unpack your ceiling fan carefully. Remove all parts and hardware. Place fan motor on a cloth or soft surface to avoid damage to the finish. Do not lay motor housing on its side –the decorative housing may become bent or damaged. Verify that all parts are present before starting assembly.

Check the packaging carefully for missing parts.

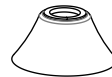
Examine all parts. You should have the following:



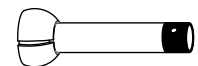
Mounting Bracket x 1



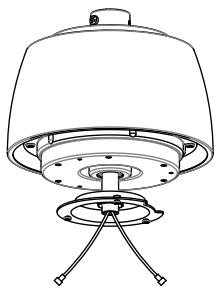
Canopy x 1
Canopy Cover x 1



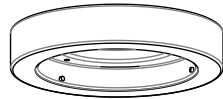
Coupling Cover x 1



6" Ball/downrod assembly x 1



Motor Assembly x 1



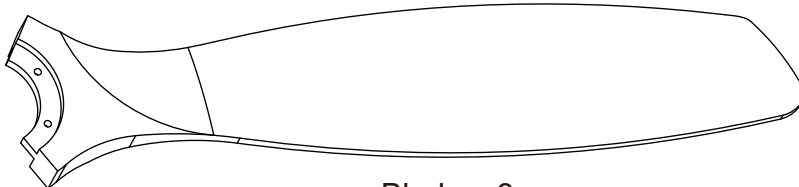
Light kit pan x 1



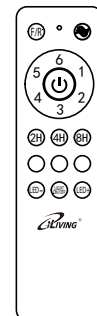
Light kit fitter assembly x 1



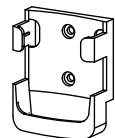
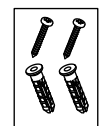
Lampshade x 1



Blade x 3

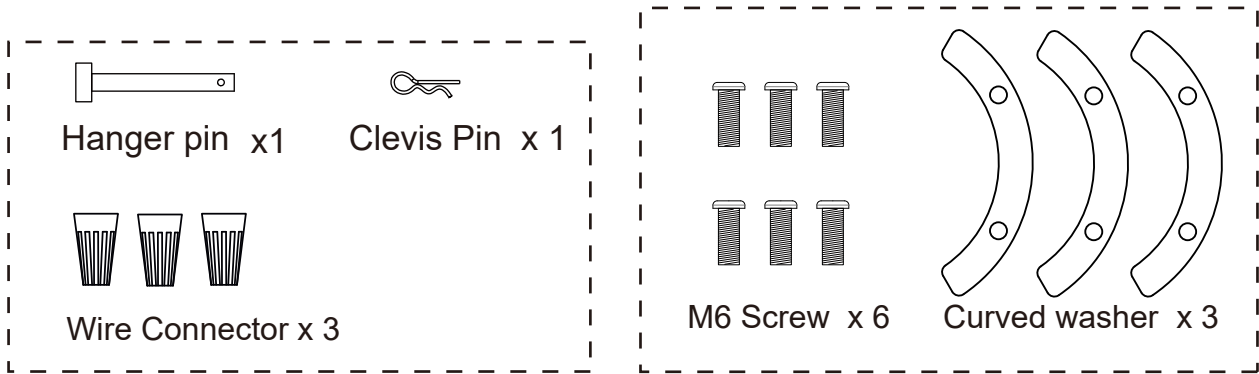


Remote Control x 1



Remote Holder x 1

HARDWARE INCLUDED

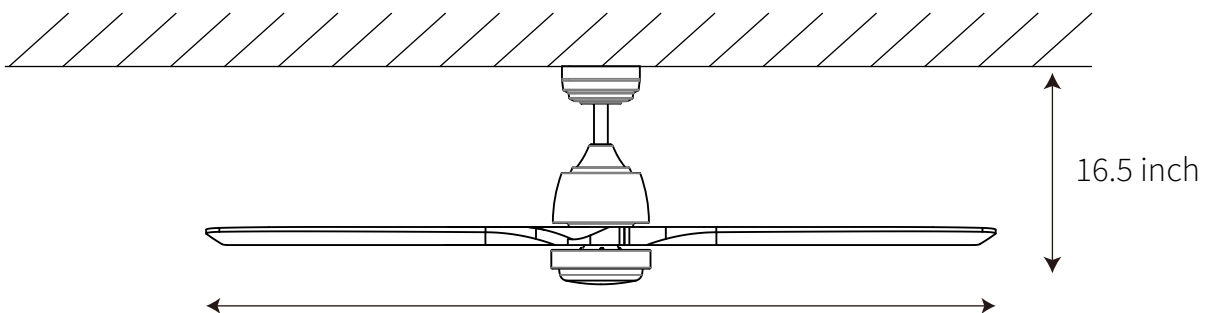


TOOLS REQUIRED (Not Included) :

- Phillips / Flat head screw driver
- Pair of pliers
- Adjustable Spanner
- Step ladder
- Wire cutter
- Wiring, supply cable as required by the National Electrical Code, ANSI/NFPA 70 and local codes,.
- Outlet Box and Mounting screws

SPECIFICATION	
Model#	ILG8CF60WD-LED
Size	60"
Voltage(V)	120
Frequency (Hz)	60
Wattage(W)	52
AMPS(A)	0.65
RPM	170
CFM	6,000
Blades	3
Speeds	6
Net Weight(LBS)	11.4
Certification	UL us

Dimensions(inch)



ILG8CF60WD-LED - 60 inch

INSTALLATION INSTRUCTIONS

WARNING - To avoid possible electrical shock, be sure electricity is turned off at the main fuse box before installation. (Figure 1)

NOTE: If you are not sure if the outlet box is grounded, contact a licensed electrician for advice, as it must be grounded for safe operation.

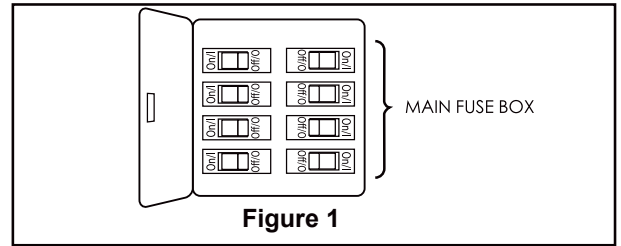


Figure 1

WARNING - The fan must be hung with at least 7 feet above the floor, and 11-7/8in spacing from the tip of the blade to the nearest objects or walls.(Figure 2)

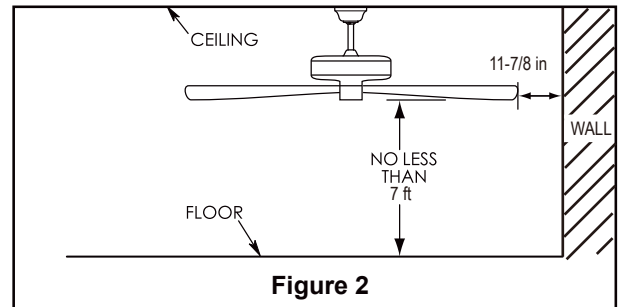


Figure 2

Electrical and Structural Requirements

Your new ceiling fan will require a grounded electrical supply line of 120 volts AC, 60 Hz, 15 Amp Circuit. Electrical code requires use of a fan-rated outlet box to support the extra weight and motion associated with a ceiling fan. A fan-rated box will be labeled as such and typically supports up to a 35 lbs ceiling fan. Fan-Rated Outlet Boxes vary in ratings and design. Ensure the ratings of your ceiling fan outlet box meet the requirements for the ceiling fan being installed. Figure 3, Figure 4 and Figure 5 depicts different structural configurations that may be used for mounting the outlet box.

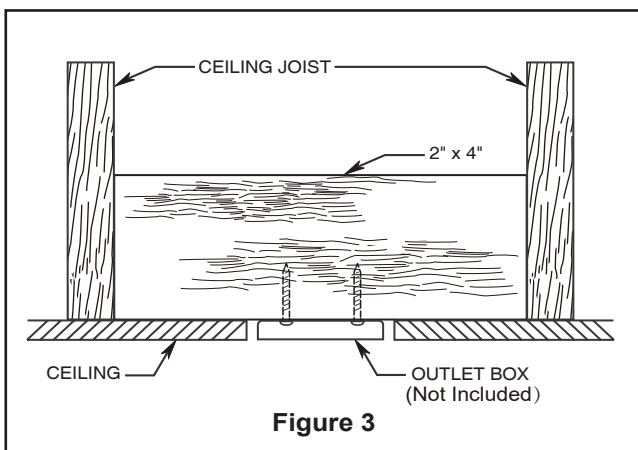


Figure 3

Low profile box (Figure 3)

A 1/2-in.-deep pancake box is meant to be screwed to a joist or block. It's used if only one cable is coming into the box. It is also available in a saddle-mount configuration

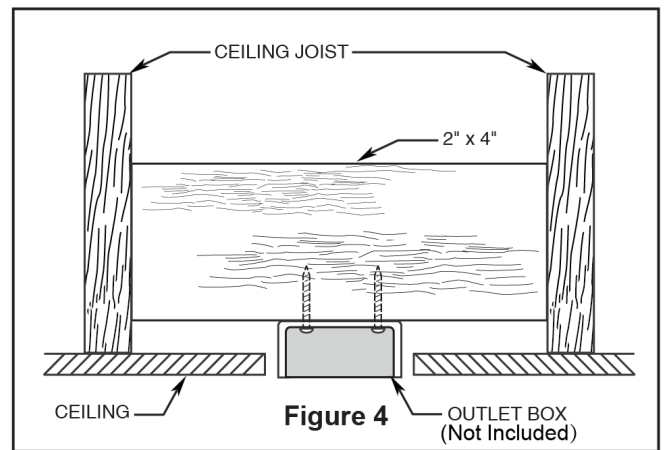


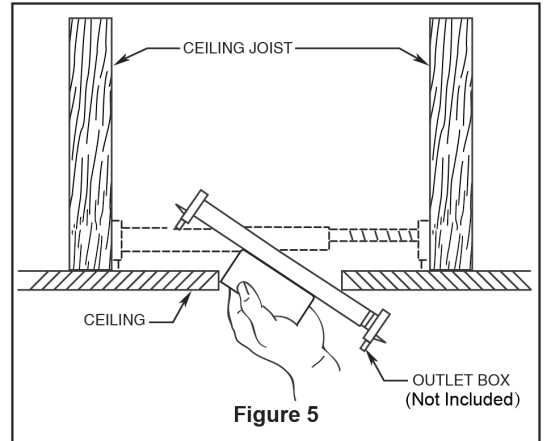
Figure 4

Deep box (Figure 4)

A 2-1/4in.deep box can be attached to blocking between joists and is roomy enough to handle more than one cable.

Deep box with brace (Figure 5)

Paired with a deep box, this hanger is meant to span between two joists and takes the place of wooden blocking.



WARNING -The outlet box must be securely anchored and capable of withstanding a load of at least 35 lbs. Mounting bracket must seat firmly against outlet box. If the outlet box is recessed, remove wallboard until bracket contacts box. If bracket and/or outlet box are not securely attached, the fan could wobble or fall. The fan be mounted to an outlet box and that the mounting screws provided with the outlet box shall be used.

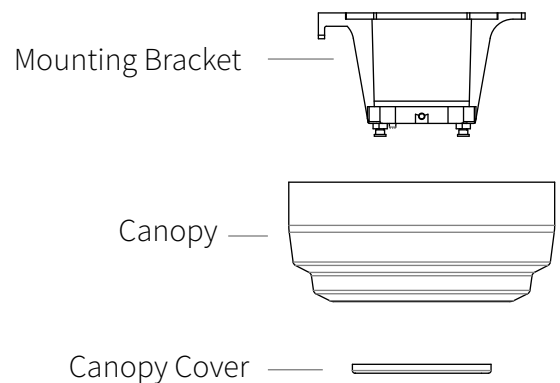


WARNING - To Reduce The Risk Of Fire, Electric Shock, Or Personal Injury, Mount To An Outlet Box Marked 'Acceptable for Fan Support of 15.9 kg (35 lbs) or less'. For Outlet Box Mounting, Use Mounting Screws Provided With The Outlet Box.

Assembly

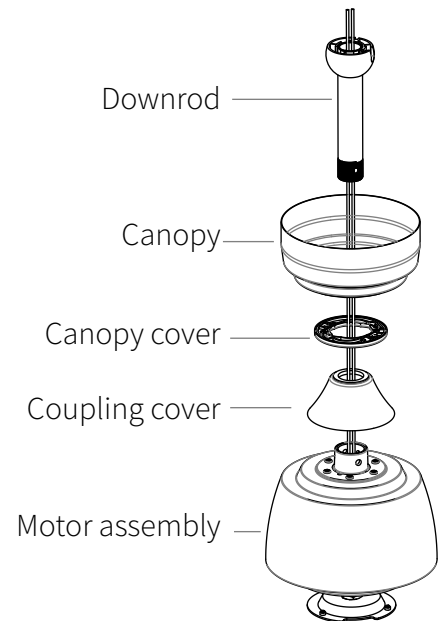
1 Preparation for standard mounting

1. Remove the canopy cover from the canopy by turning the cover counterclockwise until it unlocks.
2. Loosen two screws located in the bottom of the mounting bracket, and turn the canopy counterclockwise to remove the mounting bracket from the canopy.



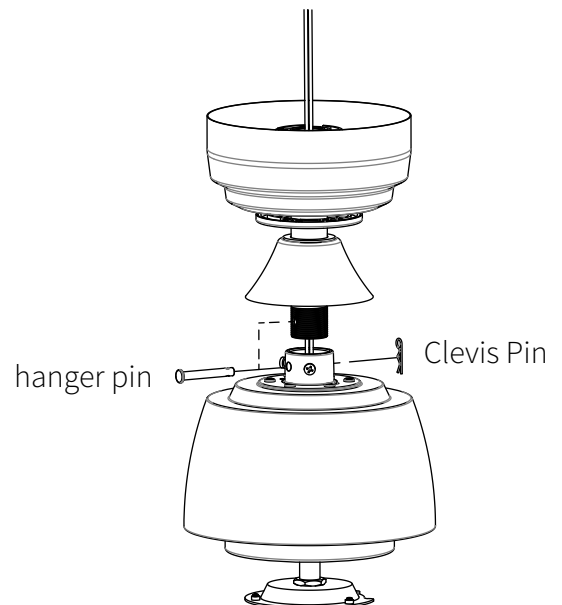
2 Routing the wires

1. Route the wires exiting the top of the fan motor assembly through the center of the coupling cover.
2. Make sure the opening of the canopy is on top and insert the ball/downrod through the canopy.
3. Route the wires exiting the top of the fan motor assembly through the downrod as shown.



3 Assembling the fan

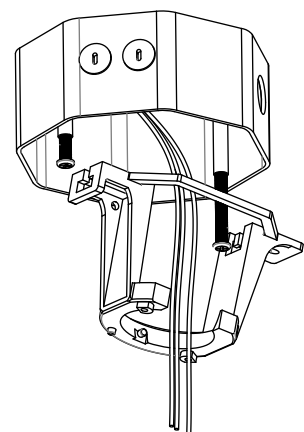
1. Loosen, but do not remove, the 2 screws on the collar on top of the motor housing.
2. Align the holes at the bottom of the downrod with the holes in the collar on top of the motor housing.
3. Carefully insert the hanger pin through the holes in the collar and downrod. Be careful not to jam the hanger pin against the wiring inside the downrod.
4. Insert the clevis pin through the hole near the end of the hanger pin until it snaps into its locked position.
5. Re-tighten the 2 screws on the collar on top of the motor housing.



Important: Failure to properly install the locking pin could result in the fan becoming loose and possibly falling.

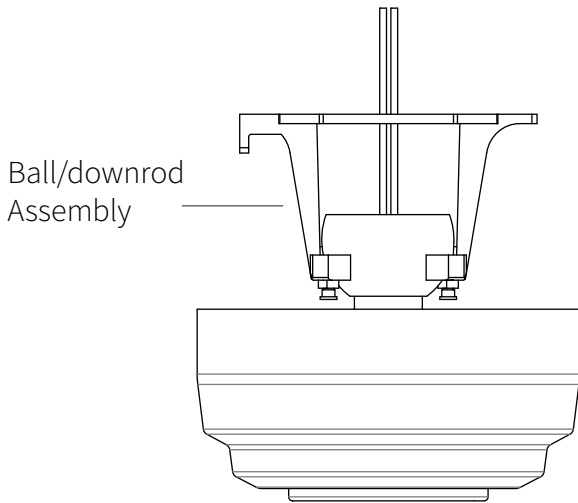
4 Attaching the fan to the electrical box

1. Pass the 120-Volt supply wires through the center hole in the mounting bracket.
2. Install the mounting bracket on the outlet box by sliding the mounting bracket over the two screws provided with the outlet box.
3. Securely tighten the two mounting screws.



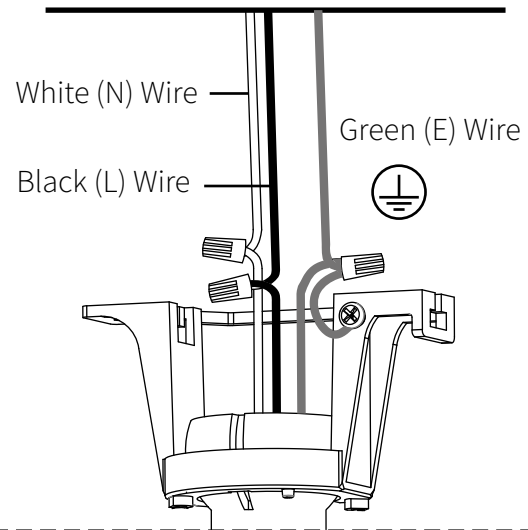
5 Hanging the fan

1. Carefully lift the motor assembly up to the mounting bracket.
2. Seat the hanger ball portion of the ball/downrod assembly in the mounting bracket socket. Ensure that the tab on the mounting bracket socket is properly seated in the groove in the hanger ball.



6 Wiring the fan to the household wiring

House Supply Wires

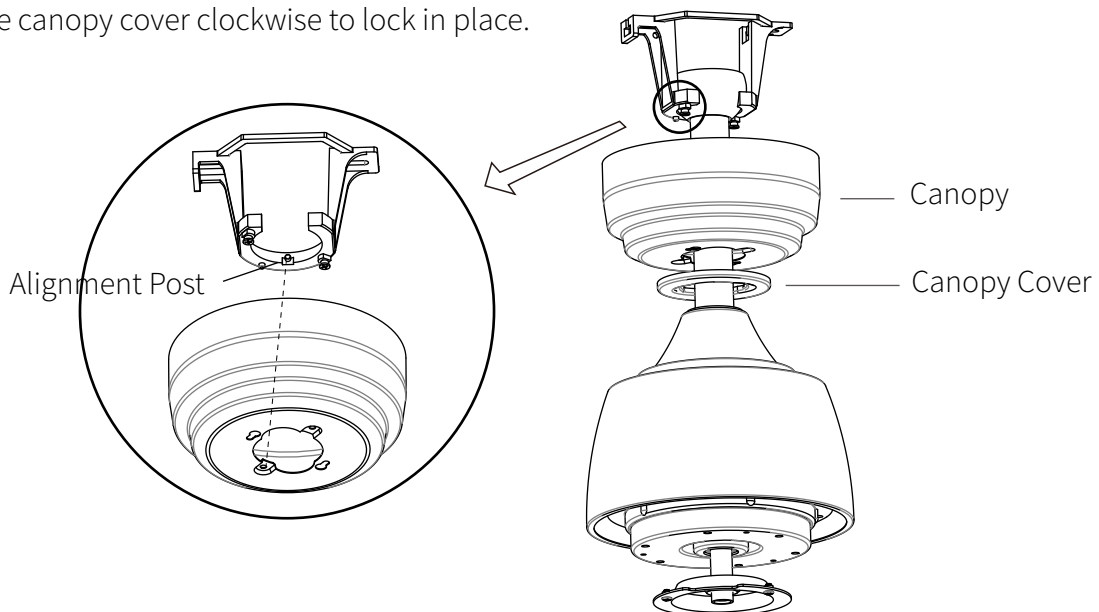


After making the wire connections, the wires should be spread apart with the grounded conductor and the equipment-grounding conductor on one side of the outlet box and the ungrounded conductor on the other side of the outlet box.

The splices after being made should be turned upward and pushed carefully up into the outlet box.

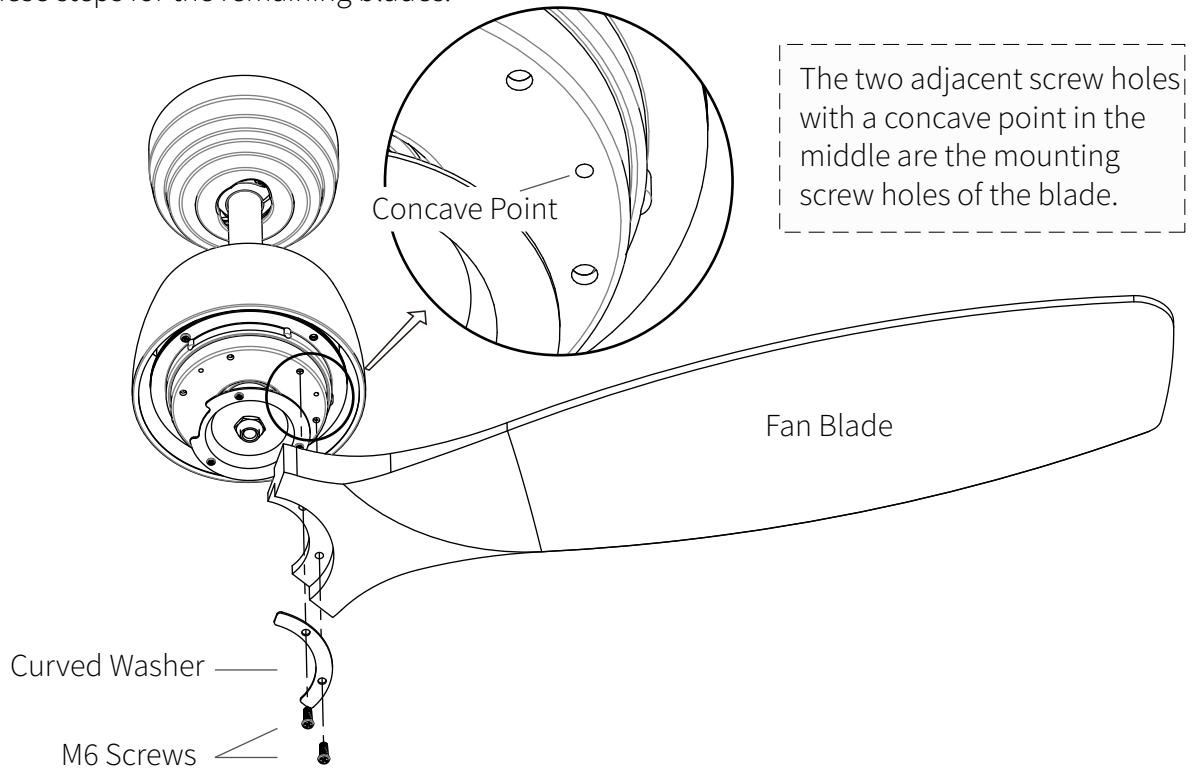
7 Attaching the Canopy

1. Align the locking slots of the canopy with the two screws and alignment post in the mounting bracket.
2. Push up the canopy and turn clockwise until the alignment post engages to the round hole and the screws engage to the key slots. Firmly tighten the two mounting screws.
3. Install the canopy cover by aligning the cover slots with screws in the bottom of the canopy.
4. Rotate the canopy cover clockwise to lock in place.



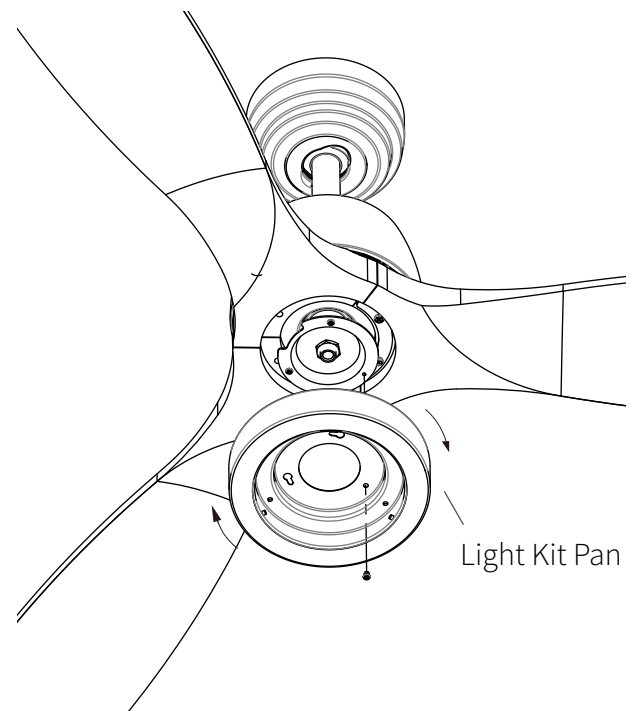
8 Attaching the fan blades

1. Attach a blade to the motor assembly by inserting the blade into the slot on the side of the motor assembly.
2. Align the blade holes to the holes on the motor assembly and insert the curved washer and M6 screws into the blade. Tighten each screw securely.
3. Repeat these steps for the remaining blades.



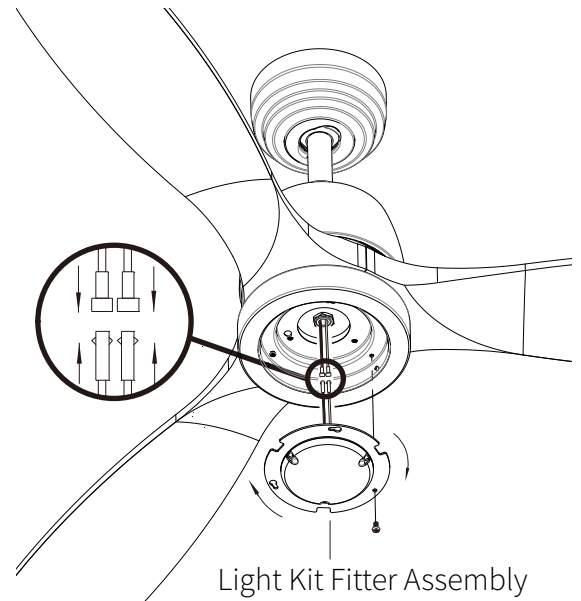
9 Installing the light kit pan

1. Remove one screw from the black bracket below the motor assembly, and loosen but do not remove the other two screws.
2. Push the light kit pan up to the motor assembly so that the two loosened screw heads fit into the keyhole slots. Turn the light kit pan clockwise.
3. Re-install the screw that was removed in the first step.
4. Make sure all the screws are firmly tightened.



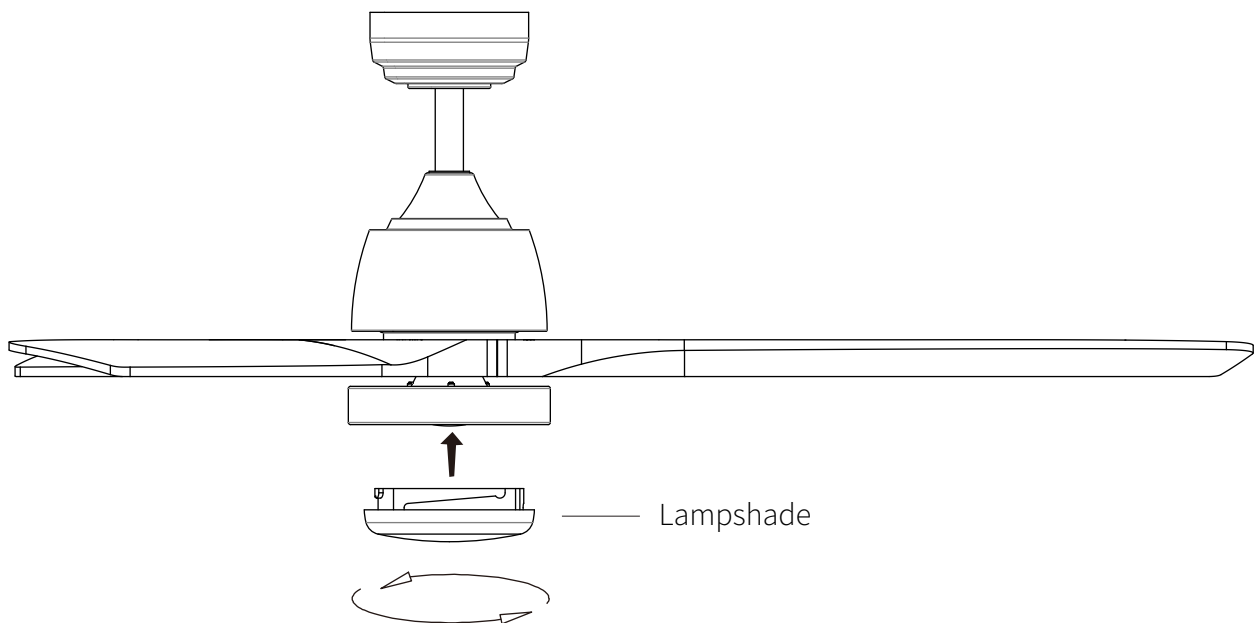
10 Attaching the light kit fitter assembly

1. Remove one screw from the light kit pan, and loosen, but do not remove the other two screws.
2. Connect the wires from the light kit fitter assembly to the wires from the motor assembly by connecting the molded adaptor plugs together. Carefully tuck all wires and splices into the light kit pan.
3. Push the light kit fitter assembly up to the light kit pan so that the two loosened screw heads fit into the keyhole slots. Turn the light kit fitter assembly clockwise to secure.
4. Re-install the screw that was removed in the first step.
5. Make sure all the screws are firmly tightened.



11 Installing the lampshade

Place the lampshade into the light kit pan, aligning the three flat areas on the top of the flange of the lampshade with the three raised dimples in the light kit pan. Turn the shade clockwise until it stops.



NOTE: Do not overtighten when installing the lampshade into the light kit.
Allow the lampshade to cool completely before removing.


REMOTE CONTROL

Installing the Battery

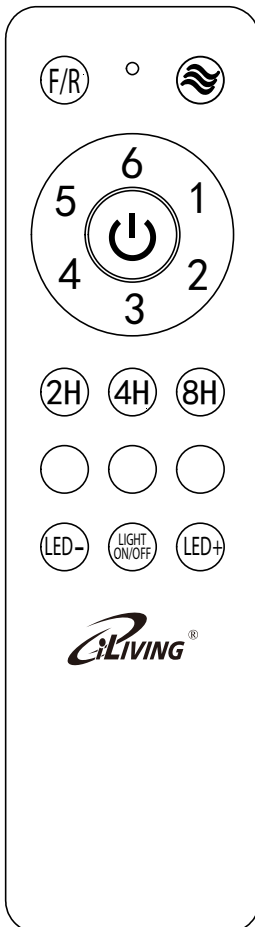
Remove the back cover of remote control and install 2 PCS 1.5V/AAA batteries (Not Included) in correct direction. Then replace the back cover.

NOTE: Remove the battery if the remote control will not be used for more than a month. Battery left in the remote control may leak and cause damage.

Pairing Instructions

1. The original remote is paired from the factory.
2. If you need to re-pair, or have a new remote: Supply power to the fan on and within 10 seconds press the  button on the remote for 3 second. The remote will initiate the pairing process.
3. Once the fan has detected the remote, the fan will sound “beep”. Now the fan is ready to use.

Button Instruction



Button	Description
F/R	Direction Control (Clockwise/Counterclockwise)
	Natural wind
	Power ON/OFF
1	Speed 1 (Minimum)
2	Speed 2
3	Speed 3
4	Speed 4
5	Speed 5
6	Speed 6 (Maximum)
2H	2 hours Timer
4H	4 hours Timer
8H	8 hours Timer
Light ON/OFF	Led Light ON /OFF
Led- & Led+	Dimmer function
Yellow	Yellow Light
White	Yellow& White Light
Blue	White Light

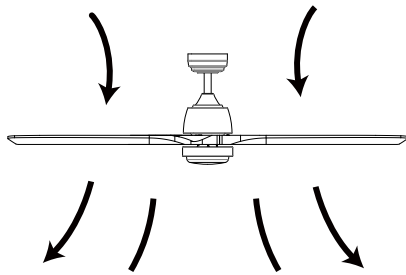
Memory function

This fan has a memory function in case of power outages. The memory function registers the last setting of the speed and led light.

Forward & Reverse

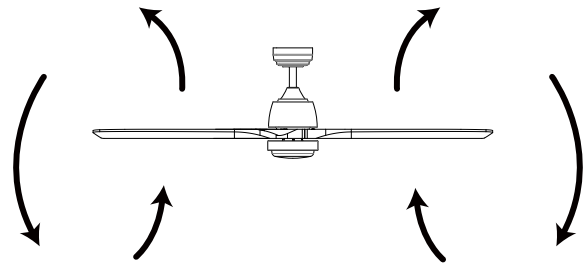
Fan must be turned on and rotating.

Press the F/R button, the fan will slow down and then change direction (approx. 15 sec). When the fan is slowing down to change direction, the Fan Speed function is disabled until direction has been changed.



Forward

Fan rotates anti-clockwise blowing the air downwards creating the wind chill effect. **Suitable for hot weather condition.**



Reverse

Fan rotates clockwise drawing the air towards the ceiling circulating the warm air downwards. This function works best at low speed. **Suitable for air-conditioned condition.**

Nature Wind Function

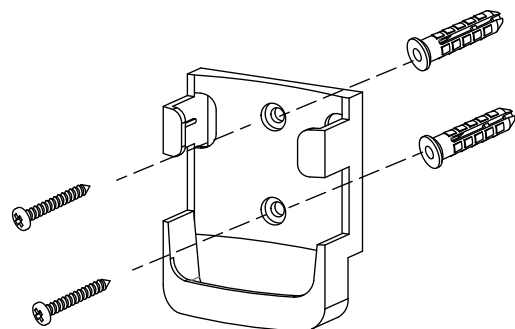
The natural wind function means that the wind blown by the fan can imitate the natural wind.

In this mode, press any speed button will cancel the nature wind and turn into the speed you pressed.

In this mode, direction control is functional.

Installing the holder

There is a remote holder provided, you can install it to the wall with screws (included).



MAINTENANCE

Due to the fan's natural movement, connections may get loose after a period of usage. To ensure a proper and safety usage, it is highly recommended to inspect and tighten all connections every 6 months.



WARNING - Make sure the power is off before cleaning your fan.

Cleaning

Cleaning your fan periodically will prolong its new appearance. Basic cleaning procedures are as follows :

1. Use only lukewarm water. Do not use detergent, corrosive or acidic solution.
2. Damp the cloth lightly. Use only soft or lint-free cloth to clean the fan. Rough fabric will scratch the surface.
3. Do not bend the blades while cleaning. At the event where blades are bent or damaged, order new set of blades from service center or dealer shop.
4. There is no need to oil the fan.

Warranty Information

This product comes with a 1-YEAR LIMITED COMPONENT WARRANTY. If your unit does not appear to be working properly, please contact our service center by calling 1-800-317-1688. Prior to your call, we encourage you to visit our service-related website www.ilivingusa.com for troubleshooting tips and service instructions if needed.

If you wish to make a warranty claim, please contact the Manufacturer directly at 1-800-317-1688. Please have the Model Number and the Serial Number of the Product ready and the complete Sales Invoice from an authorized seller, showing the date of purchase, condition upon purchase and full details of the Product. Our Customer Service Team will advise you of the process involving in making a claim.

Any claim under the Limited Warranty is subject to notify us of the alleged defect within a reasonable time of it coming to your attention, in any case, by no later than the expiry of the Warranty Period.



Warranty Information

Register your product at our website:

Or visit iLivingUSA.com/register-product

Feedback

Love it? Help us make the product more for you.

Let us know with a customer review.

Please visit: <https://www.amazon.com/review/review-your-purchases#>

At iLiving USA, we are committed to bringing top quality products to our customers.



iLIVING USA

860 Mahler Road,

Burlingame, CA 94010

Tel: 1-800-317-1688

Email: service@ilivingusa.com

 Like us on Facebook: <https://www.facebook.com/ilivingusa/>

 Follow us on Twitter: @iLIVINGUSA

Check out our website: www.ilivingusa.com