

BROAN[®]

Range Hoods

Blowers

Accessories



April 2011

- Choosing the Right Range Hood **4–5**
- Chimney Hoods **6–13**
- Downdrafts **14–15**
- Power Packs and Power Modules **16–19**
- Energy Star Hoods **20–23**
- High Performance Hoods **24–29**
- Under Cabinet Hoods **30–43**
- Accessories **44–45**
- Blowers/Installation Guidelines **46–47**
- Specifications **48–51**

BROAN[®]

Why kitchens need

Fresh salmon fillets are reason enough. But that's really just a start. Because cooking smoke and greasy build-up are more than unpleasant. They're unhealthy. In fact, cooking churns out airborne contaminants like nothing else in the home can. This concentration of contaminants requires effective ventilation. That's where Broan comes in. As the residential ventilation leader, Broan offers more range hood kitchen ventilating solutions than anyone.

From high-performance ducted models, to the most effective non-ducted units ever made. And they're all built to Broan's demanding quality standards.

So you can count on them to help keep your kitchen cleaner for years to come. Built-in lighting means you can count on your Broan range hood to keep your kitchen brighter. Some units even include a convenient nightlight feature.

There really is a difference with Broan. It's in the details.

BROAN *Elite*

Broan® Elite (Rangemaster®), our premier range hoods, offer high performance and unique style to define your kitchen. See pages 6–17, 20, and 24–28.

ventilation.



Problem. Your over-the-range microwave doesn't effectively capture smoke and odors. Your children can't reach it without climbing on the counter, not to mention trying to use it while someone else is cooking.

Solution. Improve the ventilation in your kitchen by replacing your over-the-range microwave with a handsome Broan range hood. Move your microwave to a shelf next to the refrigerator and improve not only the safety of your kitchen, but its efficiency as well.

How do you cook?

What do you expect your range hood to do?

Broan has styles and accessories to

Chimney and High Performance Hoods

Do you have an open concept kitchen?

Consider a chimney style range hood. Distinguish your kitchen with a centerpiece that provides function and high style. Be sure your blower matches the BTU output of your range.



Looking for convenience in a high performance range hood?

Under cabinet range hoods provide homeowners with high style and modern convenience. Sleek designs fit snugly under cabinets and stainless steel bottoms make cleaning easy. Be sure your blower matches the BTU output of your range.



Power Packs

Thinking of designing custom cabinetry?

Power packs allow you to conceal your range hood under a cabinet for a clean look. Insert a power pack and achieve all the benefits of a Broan range hood.



Protect your cabinetry with custom liners. They protect your cabinetry from steam and grease while providing a custom fit all the way around.



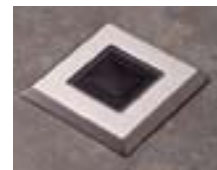
Downdrafts

Looking for a range hood that's there when you need it and hidden when you don't?

Downdraft range hoods are perfect for island or peninsula installations. You receive the right amount of ventilation literally at the push of a button.



An optional remote control button puts you in charge from anywhere in the kitchen.



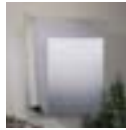
suit every need.

Select an In-Line or Exterior blower.*

If desired, choose an In-Line or Exterior blower option. Exterior blowers can be roof- or wall-mounted, depending on your appearance preferences, or to best suit your ducting requirements. In-Line blowers perform quietly and mount in the attic space.



In-Line



Exterior

Do you have tall ceilings and a chimney hood?

You'll need a flue extension if your ceiling height is greater than 9'. Flue extensions are matched to the shape, style and color of the range hood you select. Extensions for ceiling heights over 10' feet have a 14-week lead time.



Going for a professional or decorator look?

Consider adding stainless steel baffle filters, warming racks or a backsplash. These durable accessories are functional and easy to clean.



Select an In-Line or Exterior blower.*

If desired, choose an In-Line or Exterior blower option. Exterior blowers can be roof- or wall-mounted, depending on your appearance preferences, or to best suit your ducting requirements. In-Line blowers perform quietly and mount in the attic space.



In-Line



Exterior

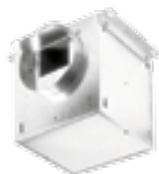
Replacement and odor absorbing filters.

Recirculate fresh filtered air back into the kitchen. They are made from the highest quality materials to provide the longest life possible.

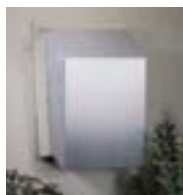


Select an In-Line or Exterior blower.*

If desired, choose an In-Line or Exterior blower option. Exterior blowers can be roof- or wall-mounted, depending on your appearance preferences, or to best suit your ducting requirements. In-Line blowers perform quietly and mount in a remote location.



In-Line



Exterior

* Broan Blowers are designed and UL Certified for use with Broan products only.

BROAN *Elite*

The design says professional.
The details say perfection.

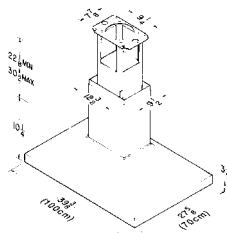
Sophisticated tastes deserve sophisticated styling. That's why we created the Broan Elite Series. These range hoods are unique works of art that flawlessly blend style, power and durability. Choosing between them won't be easy. One thing, however, is certain: you're sure to be completely satisfied with the combination of style and power you select. Our commercial-style range hoods feature serious ventilating performance for the serious home chef. They're specifically designed for use with high BTU, commercial-style ranges. They also accommodate the high-capacity demands of residential woks and cooktop grills. And, since true satisfaction and exquisite taste go hand-in-hand, we offer an extensive selection and a wide array of options and colors.

Broan Elite 63000/63000EX (Island)

Rangemaster

Perfection—any way you look at it. This free-hanging island hood will draw the eye from every vantage point.

- Enduring style, stainless steel construction.
- Seamless corners for easy cleaning.
- Concealed three-speed control.
- Heat Sentry™ detects excessive heat and adjusts blower speed to high automatically.
- 27-5/8" x 39-3/8" (70 cm x 100 cm) size.
- Superior lighting from four 20-watt Halogen lamps included (one level).
- The 63000EX models are designed to operate with Broan Elite External blowers, providing a choice of four Exterior models: 600, 900, 1200 or 1500 CFM or four In-Line models: 280, 600, 800 or 1100 CFM.
- Telescopic flue fits 8' to 9' ceilings.
- Easily removable, dishwasher-safe stainless steel grease filter.



Range Hood Specifications

Optional Accessory

WIDTH	STAINLESS STEEL	BLOWER	VOLTS	AMPS	CFM	DUCT	FLUE EXTENSION*
27 5/8" x 39 3/8" (70 x 100cm)	637004	Internal	120	5.5	900	8" RD	RFX6304EX
	637004EX	External†	120	0.8**	†	8" RD	RFX6304EX

† External and In-Line blowers sold separately.

** Hood amps without blower. For total system amps, combine hood with external blower amps.

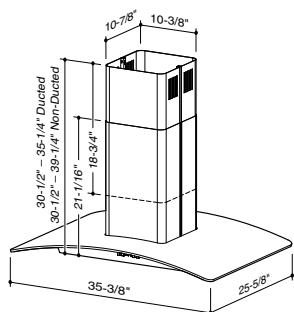
* Optional flue extension for 10' ceiling—extensions over 10' have up to a 14-week order time.



Broan Elite EI59 (Island)

Beautiful contemporary European glass island design. The curved glass canopy provides a stunning focal point without blocking the view of your surroundings.

- Contemporary Italian Glass Canopy design.
- Available in brushed stainless steel.
- 35-3/8" x 25-5/8" dimension.
- Powerful 500 CFM internal blower.
- Bright quad halogen lighting; 3-intensity settings (lamps included).
- 3-Speed electronic push button control with blue speed selection indication.
- Control features include Delay-off and Filter clean reminder.
- Optional Remote Control Operation—BCR1.
- Quick release aluminum mesh filters.
- Designed to work with Broan Automatic Make-up air dampers.
- Heat Sentry™ detects excessive heat and adjusts blower speed automatically.
- Telescopic flue accommodates ceiling heights 8' to 9'; custom lengths upon demand.



An optional remote control with magnetic base enables operation of blower speed, lighting and delay-off feature from across the room.

Range Hood Specifications

WIDTH	STAINLESS STEEL	BLOWER	VOLTS	AMPS	CFM	SONES	DUCT
35-3/8" x 25-5/8"	EI5936SS	Internal	120	3.55	500/200	10.5/2.5	6" RD



Optional Accessories

FLUE EXTENSION*	NON-DUCTED KIT**	NON-DUCTED FILTER	REMOTE CONTROL	BROAN MAKE-UP AIR DAMPER
FXNE59SS	RKE59	FILTERE56	BCR1	MD6T, MD8T

*Optional flue extension for either ducted or non-ducted 9' to 10' ceilings.

**Includes non-ducted filter & flex duct



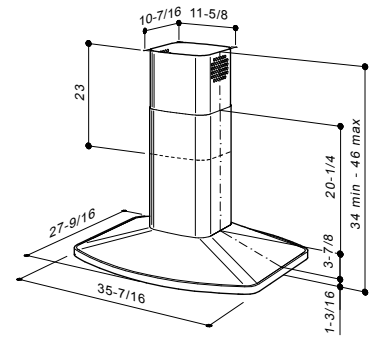
Make-Up Air Damper Model MD6T, MD8T



Broan Elite E54000 (Island)

Elegant symmetry from every angle. Graceful curves and a low-profile design make this island hood at home in any décor.

- Brushed stainless steel finish.
- 35⁷/₁₆" x 27⁹/₁₆" dimension.
- Multi-speed slide control.
- Four 20-watt halogen lamps included (one level).
- Dishwasher-safe aluminum filters.
- Telescopic flue accommodates 8' to 9' ceilings—flue extension available for ducted and non-ducted applications.*
- Internal blower delivers 480 CFM.
- Non-ducted kit for indoor recirculation (purchase separately).
- Heat Sentry™ detects excessive heat and adjusts blower speed to high automatically.



Range Hood Specifications

WIDTH	STAINLESS STEEL	VOLTS	AMPS	CFM High/Low	SONES High/Low	DUCT
35 ⁷ / ₁₆ " x 27 ⁹ / ₁₆ "	E5490SS	120	3.56	480/230	9.5/3.0	6" RD

* Includes non-ducted filter.

Options & Accessories

FLUE EXTENSION	NON-DUCTED FLUE EXTENSION	NON-DUCTED KIT*	NON-DUCTED FILTER
FX54SS	FXN54SS	RK54	FILTERSQUARE

* Includes non-ducted filter.



Broan Elite 61000/61000EX

A flawless look. A lasting impression.

- Seamless corners for easy cleaning.
- Concealed three-speed slide control.
- Heat Sentry™ detects excessive heat and adjusts blower speed to high automatically.
- The 61000EX models are designed to operate with the Broan Elite External blowers, providing a choice of four Exterior models: 600, 900, 1200 or 1500 CFM, or four In-Line models: 280, 600, 800 or 1100 CFM.
- Two 20-watt (four in 48") halogen lamps included (one level).
- Available in 30", 35⁷/₁₆" (90 cm) or 48" sizes.
- Ducted/non-ducted telescopic flues fit 8' to 9' ceilings.
- Convertible to ducted or non-ducted operation.** (excludes 48" model)
- Easily removable, dishwasher-safe, stainless steel grease filters.
- Optional ducted flue extension for up to 10' ceilings.

Range Hood Specifications

WIDTH	INTERNAL	EXTERNAL	BLOWER	VOLTS	AMPS	CFM	DUCT CONNECTION	FLUE EXTENSION*	NON-DUCTED FILTER
30"	613004		Internal	120	3.1	450	6" RD	RFX6104	ROUNDFILTER
35 ⁷ / ₁₆ "	619004		Internal	120	3.1	450	6" RD	RFX6104	ROUNDFILTER
48"	614804		Internal	120	6.3	900	8" RD	RFX6104EX	
35 ⁷ / ₁₆ "		619004EX	External†	120	0.5***	†	8" RD	RFX6104EX	
48"		614804EX	External†	120	0.8***	†	8" RD	RFX6104EX	

* Optional ducted flue extension for 10' ceiling—extensions over 10' have up to a 14-week order time.

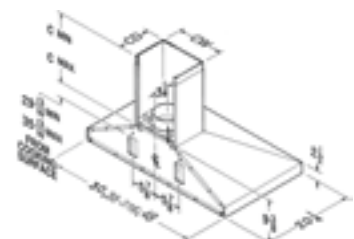
** Requires a non-ducted filter kit, purchase separately. Round filter or SB0899736.

*** Hood amps w/o blower, for total system amps, combine hood w/ External blower amps.

† External blowers sold separately.

NOTE: Units using flue extensions are for ducted applications only.

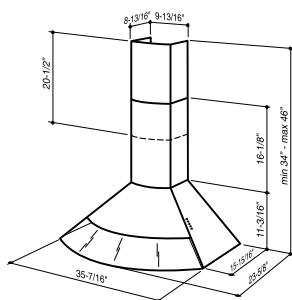
	C MIN	C MAX	CD	CW
613004	25 ⁵ / ₁₆ "	45 ¹ / ₂ "	6 ⁵ / ₈ "	9 ³ / ₄ "
619004	25 ⁵ / ₁₆ "	45 ¹ / ₂ "	6 ⁵ / ₈ "	9 ³ / ₄ "
619004EX	22"	37"	10 ³ / ₈ "	12 ³ / ₄ "
614804	22"	37"	10 ³ / ₈ "	12 ³ / ₄ "
614804EX	22"	37"	10 ³ / ₈ "	12 ³ / ₄ "



Broan Elite RM65000

Sensational high-design appearance. This delightful, hand-crafted design blends curved and angular surfaces to form a stunning union of stainless steel and glass.

- Multi-speed, electronic push-button control features stylish, rounded buttons with individual speed indicators.
- Delay timer automatically shuts off unit after 10 minutes.
- Control light flashes when it's time to clean the filter.
- Heat Sentry™ detects excessive heat and adjusts blower speed to high automatically.
- Two-level lighting provides bright cooktop illumination and a low nighttime setting.
- Two 20-watt halogen lamps included.
- Dishwasher-safe aluminum filters feature a quick-release latch and professional-style appearance.
- Ducted telescopic flue accommodates ceiling heights from 8 to 9 feet. Extension flues for higher ceilings are also available for ducted applications.*
- Install hood so that the bottom of the unit is 24 to 30 inches above the cooking surface. Mounting height is determined by ceiling height.



Range Hood Specifications

WIDTH	STAINLESS STEEL	VOLTS	AMPS	CFM	DUCT	FLUE EXTENSION*
35 ⁷ / ₁₆ "	RM659004	120	3.1	450	6" RD	RFX6504

* Optional flue extension for 10' ceiling—extensions over 10' have up to a 14-week order time.

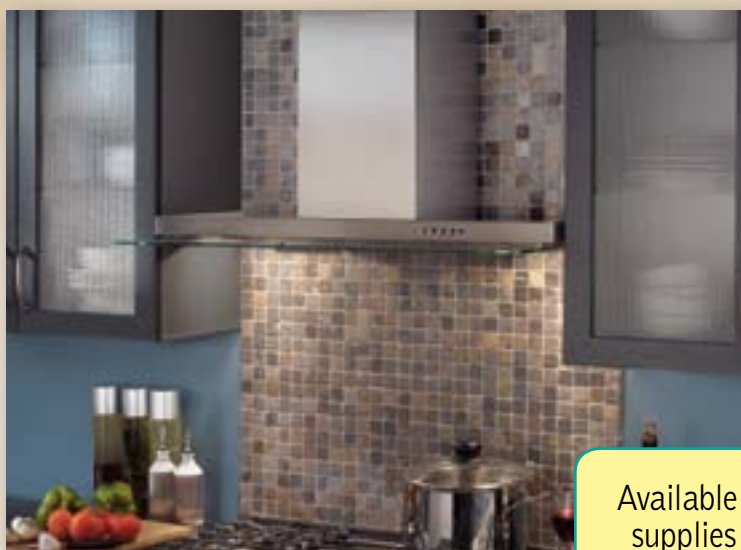
Optional Accessory



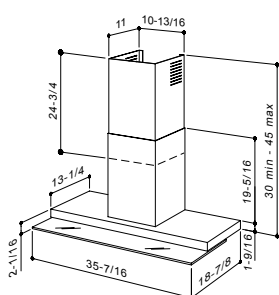
Broan Elite E55000

Contemporary simplicity united with efficient capture. Simple right angles and an extendable glass accent make this wall-mounted hood a stunning focal point.

- Slide-out glass canopy increases the capture area of this low-profile design.
- Brushed stainless steel finish.
- 35⁷/₁₆" width (90 cm).
- Multi-speed push button controls (Unit automatically activates when glass canopy is extended).
- Dual 20-watt halogen lamps included (one level).
- Dishwasher-safe aluminum filters.
- Telescopic flue accommodates 8' to 9' ceilings—flue extension available for ducted and non-ducted applications.
- Internal blower delivers 360 CFM.
- Non-ducted kit for indoor recirculation (purchase separately).
- Heat Sentry™ detects excessive heat and adjusts blower speed to high automatically. Telescopic flue accommodates 8' to 9' ceilings—flue extension available for ducted and non-ducted applications.
- Internal blower delivers 360 CFM.
- Non-ducted kit for indoor recirculation (purchase separately).
- Heat Sentry™ detects excessive heat and adjusts blower speed to high automatically.



Available while supplies last.



Range Hood Specifications

WIDTH	STAINLESS STEEL	VOLTS	AMPS	CFM High/Low	SONES High/Low	DUCT
35 ⁷ / ₁₆ "	E5590SS	120	2.63	360/140	6.5/0.7	6" RD

Options & Accessories

FLUE EXTENSION*	NON-DUCTED FLUE EXTENSION*	NON-DUCTED KIT**	NON-DUCTED FILTER
FX55SS	FXN55SS	RK55	FILTERSQUARE

* Optional flue extension for 10' ceiling—extensions over 10' have up to a 14-week order time.

** Includes non-ducted filter.





Broan Elite EW58

Inspiring traditional European design.
This wonderful design is executed to meet today's needs so that everyone can achieve their dream.



Make-Up Air
Damper
Model MD6T,
MD8T



Model BCR1

An optional remote control with magnetic base enables operation of blower speed, lighting and delay-off feature from across the room.



Broan Elite EW56

Elegant European curved glass design that is both beautiful and functional.
The airy design is a stunning focal point that complements its surrounding perfectly.



Make-Up Air
Damper
Model MD6T,
MD8T



Model BCR1

An optional remote control with magnetic base enables operation of blower speed, lighting and delay-off feature from across the room.



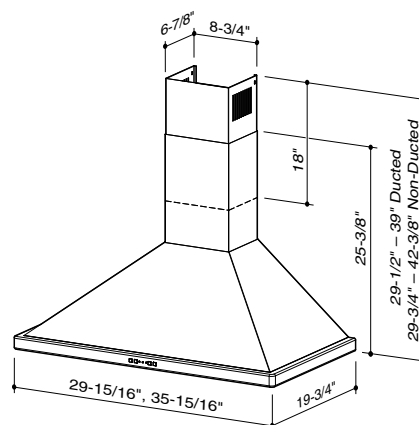
Broan Elite RM53000

Rangemaster

Contemporary lines for a one-of-a-kind kitchen.
Clean lines complement the contemporary kitchen or boldly contrast the flowing styles of more traditional settings.

- Traditional Italian design with high-performance features.
- Available in brushed stainless steel.
- Two widths 30" & 36"; in a 19-3/4" depth.
- Powerful 500 CFM internal blower.
- Bright dual halogen lighting; 3-intensity settings (lamps included).
- 3-Speed electronic push button control with blue speed selection indication.
- Control features include Delay-off and Filter clean reminder.
- Optional Remote Control Operation—BCR1.

- Quick release aluminum mesh filters.
- Designed to work with Broan Automatic Make-up air dampers.
- Heat Sentry™ detects excessive heat and adjusts blower speed automatically.
- Telescopic flue accommodates ceiling heights 8' to 9'; custom lengths upon demand.



Range Hood Specifications

WIDTH	STAINLESS STEEL	BLOWER	VOLTS	AMPS	CFM	SONES	DUCT
30"	EW5830SS	Internal	120	3.05	500/200	10.5/2.5	6" RD
36"	EW5836SS	Internal	120	3.05	500/200	10.5/2.5	6" RD

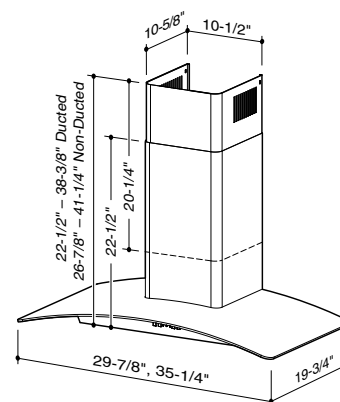
Options & Accessories

FLUE EXTENSION*	NON-DUCTED KIT**	NON-DUCTED FILTER	REMOTE CONTROL	BROAN MAKE-UP AIR DAMPER
FXNE58SS	RKE58	FILTERE56	BCR1	MD6T, MD8T
FXNE58SS	RKE58	FILTERE56	BCR1	MD6T, MD8T

* Optional flue extension for 10' ceiling—extensions over 10' have up to a 14-week order time.
 *Optional flue extension for either ducted or non-ducted 9 to 10' ceilings.
 **Includes non-ducted filter & flex duct

- Contemporary Italian Glass Canopy design.
- Available in brushed stainless steel.
- Two widths 30" & 35-7/16"; in a 19-3/4" depth.
- Powerful 500 CFM internal blower.
- Bright dual halogen lighting; 3-intensity settings (lamps included).
- 3-Speed electronic push button control with blue speed selection indication.
- Control features include Delay-off and Filter clean reminder.
- Optional Remote Control

- Operation—BCR1.
- Quick release aluminum mesh filters.
- Designed to work with Broan Automatic Make-up air dampers.
- Heat Sentry™ detects excessive heat and adjusts blower speed automatically.
- Telescopic flue accommodates ceiling heights 8' to 9'; custom lengths upon demand.



Range Hood Specifications

WIDTH	STAINLESS STEEL	BLOWER	VOLTS	AMPS	CFM	SONES	DUCT
30"	EW5630SS	Internal	120	2.88	500/200	10.5/2.5	6" RD
35-7/16"	EW5636SS	Internal	120	2.88	500/200	10.5/2.5	6" RD

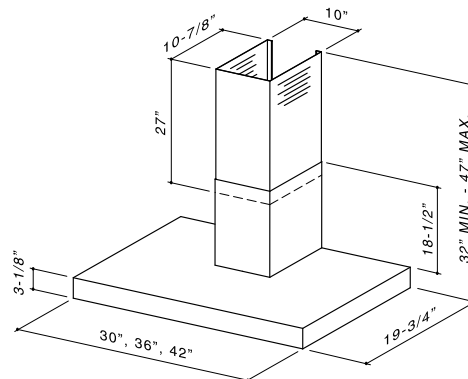
Options & Accessories

FLUE EXTENSION*	NON-DUCTED KIT**	NON-DUCTED FILTER	REMOTE CONTROL	BROAN MAKE-UP AIR DAMPER
FXNE56SS	RKE56	FILTERE56	BCR1	MD6T, MD8T
FXNE56SS	RKE56	FILTERE56	BCR1	MD6T, MD8T

* Optional flue extension for 10' ceiling—extensions over 10' have up to a 14-week order time.
 *Optional flue extension for either ducted or non-ducted 9 to 10' ceilings.
 **Includes non-ducted filter & flex duct

- Multi-speed slide control.
- Heat Sentry™ detects excessive heat and adjusts blower speed to high automatically.
- Two 25 watt halogen lamps included (one level).
- Dishwasher-safe aluminum filters feature a quick-release latch and professional-style appearance.
- Ducted/non-ducted telescopic flue accommodates ceiling heights from 8 to 9 feet. Flue extensions for higher ceilings are also available for ducted and non-ducted applications.*

- Requires separate purchase of a non-ducted kit (RRK51) for indoor exhaust recirculation.
- Install hood so that the bottom of the unit is 24 to 30 inches above the cooking surface. Mounting height is determined by ceiling height.



Range Hood Specifications

WIDTH	STAINLESS STEEL	VOLTS	AMPS	CFM	DUCT	FLUE EXTENSION*	NON-DUCTED FLUE EXTENSION*	NON-DUCTED KIT**	NON-DUCTED FILTER
30"	RM533004	120	3.1	370	6" RD	RFX5304	RFXN5304	RRK51	FILTER SQUARE
36"	RM533604	120	3.1	370	6" RD	RFX5304	RFXN5304	RRK51	FILTER SQUARE
42"	RM534204	120	3.1	370	6" RD	RFX5304	RFXN5304	RRK51	FILTER SQUARE

Options & Accessories

NON-DUCTED KIT**	NON-DUCTED FILTER
RRK51	FILTER SQUARE
RRK51	FILTER SQUARE
RRK51	FILTER SQUARE

* Optional flue extension for 10' ceiling—extensions over 10' have up to a 14-week order time.
 ** Includes non-ducted filter.



Broan Elite RM52000

Rangemaster

A sleek look that's simply elegant.

Combines graceful curves and traditional European styling.



Broan Elite RM51000

Rangemaster

Hand-rolled. European craftsmanship.

Sleek, graceful curves engineered to meet the requirements of today's appliances and kitchens.



Broan Elite RM50000

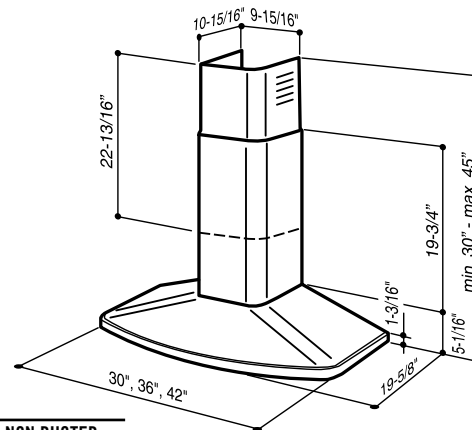
Rangemaster

Beautiful, yet attainable.

European design with tremendous value to meet the requirements of today's conventional appliance and kitchen styles.

- Multi-speed slide control.
- Heat Sentry™ detects excessive heat and adjusts blower speed to high automatically.
- Two 20-watt halogen lamps included (one level).
- Dishwasher-safe aluminum filters feature a quick-release latch and professional-style appearance.
- Ducted/non-ducted telescopic flue accommodates ceiling heights from 8 to 9 feet. Extension flues for higher ceilings are also available for ducted and non-ducted applications.*

- Requires separate purchase of a non-ducted kit (RRK51) for indoor exhaust recirculation.
- Install hood so that the bottom of the unit is 24 to 30 inches above the cooking surface. Mounting height is determined by ceiling height.



Range Hood Specifications

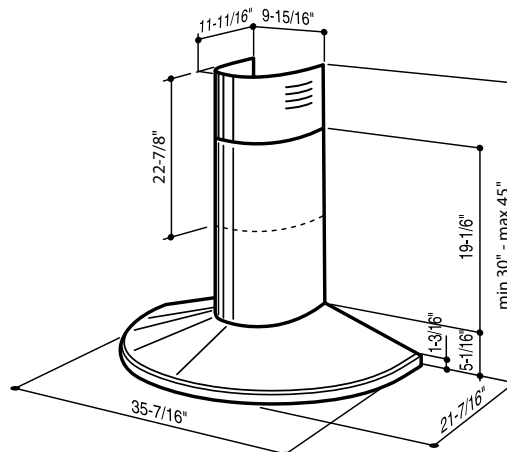
WIDTH	STAINLESS STEEL	VOLTS	AMPS	CFM	DUCT	Options & Accessories			
						FLUE EXTENSION*	NON-DUCTED FLUE EXTENSION	NON-DUCTED KIT+	NON-DUCTED FILTER
30"	RM523004	120	3.1	370	6" RD	RFX5204	RFXN5204	RRK51	FILTER SQUARE
36"	RM523604	120	3.1	370	6" RD	RFX5204	RFXN5204	RRK51	FILTER SQUARE
42"	RM524204	120	3.1	370	6" RD	RFX5204	RFXN5204	RRK51	FILTER SQUARE

* Optional flue extension for 10' ceiling—extensions over 10' have up to a 14-week order time.

+ Includes non-ducted filter.

- Multi-speed slide control.
- Heat Sentry™ detects excessive heat and adjusts blower speed to high automatically.
- Two 20-watt halogen lamps included (one level).
- Dishwasher-safe aluminum filters feature a quick-release latch and professional-style appearance.
- Ducted/non-ducted telescopic flue accommodates ceiling heights from 8 to 9 feet. Extension flues for higher ceilings are also available for ducted applications.*

- Requires separate purchase of a non-ducted kit (RRK51) for indoor exhaust recirculation.
- Install hood so that the bottom of the unit is 24 to 30 inches above the cooking surface. Mounting height is determined by ceiling height.



Range Hood Specifications

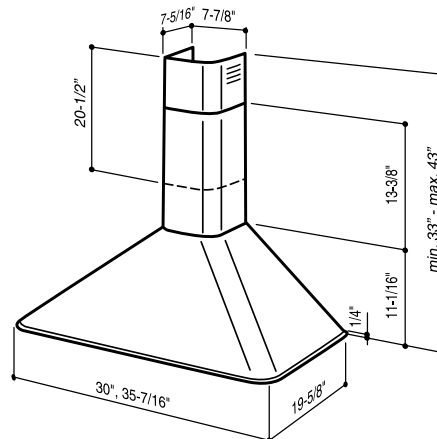
WIDTH	STAINLESS STEEL	VOLTS	AMPS	CFM	DUCT	Options & Accessories		
						FLUE EXTENSION*	NON-DUCTED KIT+	NON-DUCTED FILTER
35 7/16"	RM519004	120	3.1	370	6" RD	RFX5104	RRK51	FILTER SQUARE

* Optional flue extension for 10' ceiling—extensions over 10' have up to a 14-week order time.

+ Includes non-ducted filter.

- Multi-speed slide control and integrated dual light assembly.
- Heat Sentry™ detects excessive heat and adjusts blower speed to high automatically.
- Dual 40-watt incandescent lamps included (one level).
- Dishwasher-safe aluminum filter features a quick-release latch and professional style appearance.
- Includes non-ducted kit and charcoal filter for indoor exhaust recirculation.

- Ducted/non-ducted telescopic flue accommodates ceiling heights from 8 to 9 feet. Extension flues for higher ceilings are also available.*
- Non-ducted flue extensions available in stainless steel only.+
- Install hood so that the bottom of the unit is 24 to 30 inches above the cooking surface. Mounting height is determined by ceiling height.
- ENERGY STAR® version on pg 20–21



Range Hood Specifications

WIDTH	STAINLESS STEEL	WHITE	BLACK	VOLTS	AMPS	CFM	DUCT	Options & Accessories				
								FLUE EXTENSION*	NON-DUCTED FLUE EXTENSION AVAILABLE IN STAINLESS STEEL ONLY	NON-DUCTED FILTER		
30"	RM503004	RM503001	RM503023	120	3.1	290	6" RD	RFX5004	RFX5001	RFX5023	RFXN5004	FILTER EB40
35 7/16"	RM503604	RM503601	RM503623	120	3.1	290	6" RD	RFX5004	RFX5001	RFX5023	RFXN5004	FILTER EB40

* Optional flue extension for 10' ceiling—extensions over 10' have up to a 14-week order time.

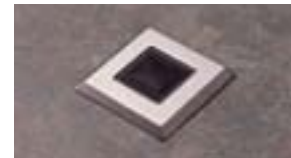
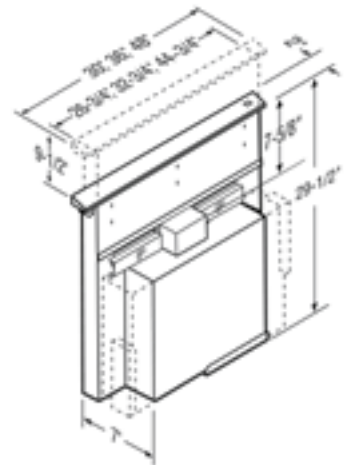


Broan Elite RMDD Downdraft System

Rangemaster

Ready where and when you need it. Rises to new heights to meet the needs of high-end commercial style cooking.

- Compact design is installed directly behind the cooktop for an unobtrusive appearance. Thin profile saves precious space under the cabinet.
- Chimney rises over 9½" when activated, ideal for large pots and pans.
- Infinitely adjustable control is designed to provide convenient access to govern the blower speed for effective and quiet operation.
- Optional remote control will activate downdraft from an alternate location.
- Heat Sentry™ detects excessive heat and adjusts blower speed to high automatically.
- Dishwasher-safe filters are easy to remove and feature a stylish brushed stainless steel appearance for a professional look.
- These units are not for installations behind ovens.
- Internal 500 CFM centrifugal blower or choice of eight External blower options: four Exterior blowers from 600 to 1500 CFM, or four In-Line blowers from 280 to 1100 CFM. See page 43.
- Unique ducting capability allows the internal or remote blower connection to be ducted to the left, right or downward.
- Dishwasher-safe filters are easy to



RMDDR BK Remote Control
Optional remote control will activate downdraft from an alternate location.

Range Hood Specifications

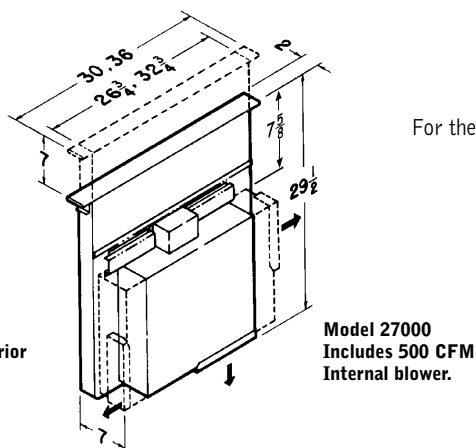
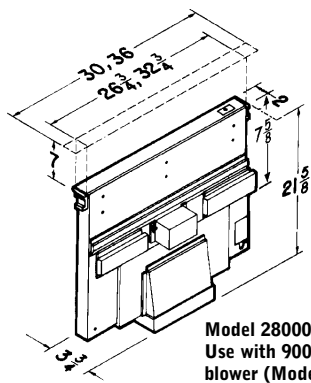
WIDTH	BLOWER		REMOTE BUTTON KIT
	INTERNAL	EXTERNAL†	
30"	RMDD3004	RMDD3004EX	RMDDR BK
36"	RMDD3604	RMDD3604EX	RMDDR BK
48"	RMDD4804	RMDD4804EX	RMDDR BK

Optional Accessory

System Specifications				
BLOWER	VOLTS	AMPS	CFM	DUCT
INTERNAL	120	4	500	3¼" x 10"
EXTERNAL†	120	6	—	3¼" x 14"



† External and In-Line blowers sold separately.



Broan 27000/28000 Series Eclipse

Convenient options help assure a custom fit. For the unique demands of cooktops in islands and peninsulas.

- Innovative downdraft system is compatible with virtually all self-contained cooktops.
- Sleek, trim styling complements any cooktop style or color.
- Automatically raises into position with the touch of a button. Disappears flush with cooktop surface.
- Space-saving design lets you make the most of precious, under-counter cabinet space.
- Infinitely adjustable speed control is flush with the side of the unit; inconspicuous, yet easy to reach and simple to use.
- Model 27000 Blower discharges right, left or down and slides side-to-side to ease installation.
- These units are not for installations behind ovens.



Range Hood Specifications**

TO FIT NOMINAL COOKTOP SIZE	MODEL	DESCRIPTION	COVER COLOR*	MODEL	VOLTS	AMPS	CFM	DUCT
30"	273003	Internal Blower Unit	Stainless Steel	27000	120	4	500	3 1/4" x 10"
36"	273603	Internal Blower Unit	Stainless Steel	28000	120	6.0 max	*	3 3/4" x 10"†
30"	283003	External Blower Unit*	Stainless Steel					
36"	283603	External Blower Unit*	Stainless Steel					
30"	273001C	Optional Cover	White					
36"	273601C	Optional Cover	White					
30"	273002C	Optional Cover	Bisque/Biscuit					
36"	273602C	Optional Cover	Bisque/Biscuit					
30"	273023C	Optional Cover	Black					
36"	273623C	Optional Cover	Black					

* External unit utilizes model 332H Exterior-mounted blower. In-Line blower sold separately.

** Cooktops, countertops and cabinets vary in dimension and support systems depending upon manufacturer. These factors may impact the Eclipse's ability to fit with every worktop/cabinet combination. Specifications subject to change without notice.

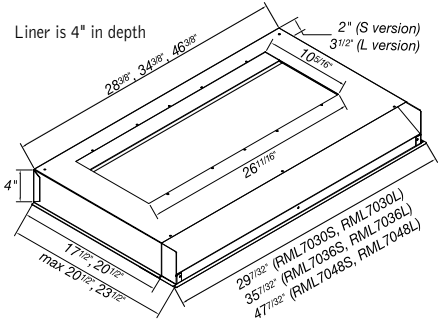
† The model 28000 requires transitioning from 3 3/4" x 10" to 10" round for connection to the External blower.

* Stainless Steel cover standard. White, Bisque or Black optional.

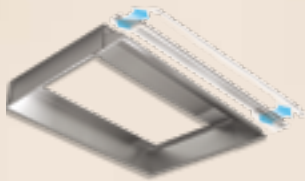


Broan Elite Custom Power Pack RMP1/RMPE

The Broan Elite Custom Power Pack is designed to fit flush with the bottom of a cabinet or custom hood that's 30" to 48" wide. The 400 CFM centrifugal blower is combined with a multi-speed control to provide quiet, effective performance. Halogen lighting complements the beauty of a fully enclosed bottom containing dishwasher-safe filters.



RML7030S/RML7030L
RML7036S/RML7036L
RML7048S/RML7048L
 For RMP17004 and RMPE7004 Packs



Liners for RMP1/RMPE Power Pack

Broan Elite Liners provide a beautiful way to finish your custom hood and protect your cabinetry. Designed to work with Broan Elite Pro-Insert and Power Packs, liners feature a 3" adjustable nose to provide application flexibility, and a 4" depth for excellent capture.

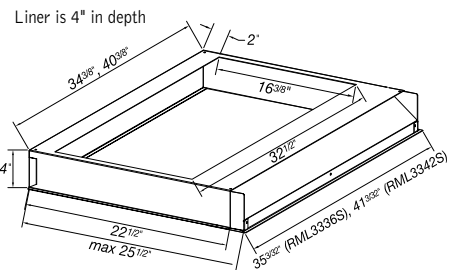
- Brushed stainless steel finish.
- Liners protect custom hoods and are available for 30", 36" and 48" widths.
- Two versions for maximum flexibility in depth adjustment: "S" version adjusts 17½"—20½". "L" version adjusts 20½"—23½".
- Liners are based on the outside width of the custom hood.



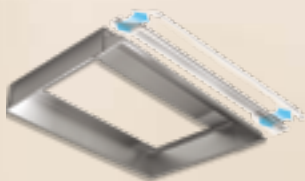
Shown with optional baffle filters.

Broan Elite RMIP Pro-Style Insert

The Broan Elite RMIP Pro-Style Insert fits flush with the bottom of the cabinet or custom hoods. Centrifugal blowers from 500 to 1500 CFM with multi-speed control provide quiet and effective performance. Halogen lighting complements the beauty of its fully-enclosed, easy-to-clean bottom.



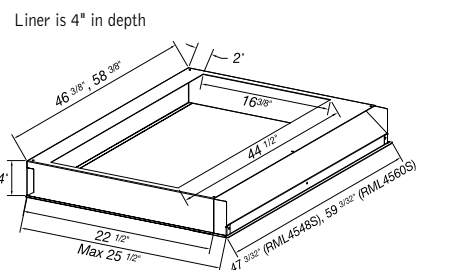
RML3336S/RML3342S For RMIP33



Liners for the RMIP Pro-Style Insert

Broan Elite Liners provide a beautiful way to finish your custom hood and protect your cabinetry. Designed to work with Broan Elite Pro-Insert and Power Packs, liners feature a 3" adjustable nose to provide application flexibility, and a 4" depth for excellent capture.

- Brushed stainless steel finish.
- Liners protect custom hood and are available for 36", 42", 48" and 60" widths.
- Liners allow depth adjustment from 22½" to 25½". Fits stock 24" cabinets.
- Liners are based on the outside width of the custom hood.



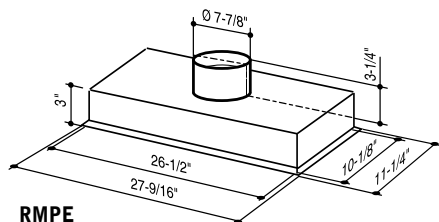
RML4548S/RML4560S For RMIP45

- Multi-speed control.
- Heat Sentry™ detects excessive heat and adjusts blower speed to high automatically.
- External blower model (RMPE) allows a choice of eight blower options: four Exterior: 600, 900, 1200 or 1500 CFM, or four In-Line: 280, 600, 800 or 1100 CFM.
- Two 50-watt halogen lamps included.
- Dishwasher-safe aluminum filters feature a quick-release latch and professional-style appearance.
- Optional non-ducted filters (FILTEREB40) for indoor exhaust recirculation, some ductwork required (RMP17004 only).
- Install power pack so that the bottom of the unit is 24" to 30" above the cooking surface.
- Optional custom hood liners in 30", 36" and 48" widths.

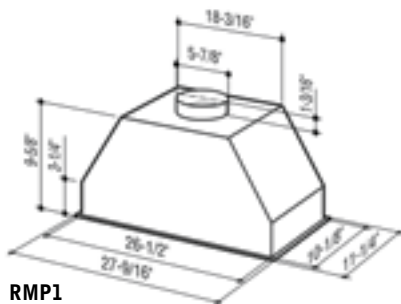
Range Hood Specifications

Range Hood Specifications					Accessory		
WIDTH	STAINLESS STEEL	BLOWER*	VOLTS	AMPS	CFM	DUCT	FILTER
70cm	RMP17004*	Internal	120	3.1	400	6" RD	FILTEREB40
70cm	RMPE7004	External†	120	3.1	†	8" RD	

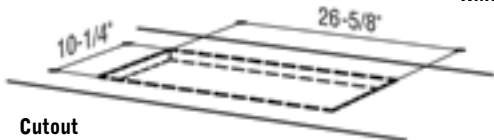
† External blowers sold separately.
 * All blowers are HVI Certified.
 † Some ductwork required for RMP1 non-ducted installations.



RMPE



RMP1



Cutout

3-STEP POWER PACK AND BLOWER SELECTION GUIDE

1. Select a Power Pack system

- RMP17004**, 400 CFM Internal blower
 - 27¹/₁₆" width, 11³/₄" depth
- RMPE7004**, 280–1500 CFM External blower options
 - 27¹/₁₆" width, 11³/₄" depth

2. Select a Liner to fit your cabinetry

If the cabinet/hood inside depth is 18"–21", choose model:

- **RML7030S** for 30" width
- **RML7036S** for 36" width
- **RML7048S** for 48" width

If the cabinet/hood inside depth is 21"–24", choose model:

- **RML7030L** for 30" width
- **RML7036L** for 36" width
- **RML7048L** for 48" width

3. Select an Internal or External Blower

RMP17004, Internal 400 CFM blower is included

RMPE7004, External blower options (choose one):

Exterior blowers (outside, roof or wall):

- **331H** (600 CFM)*
- **332H** (900 CFM)*
- **335** (1200 CFM)*
- **336** (1500 CFM)*

In-Line blowers (inside, attic or other space):

- **HLB3** (280 CFM)
- **HLB6** (600 CFM)*
- **HLB9** (800 CFM)*
- **HLB11** (1100 CFM)*

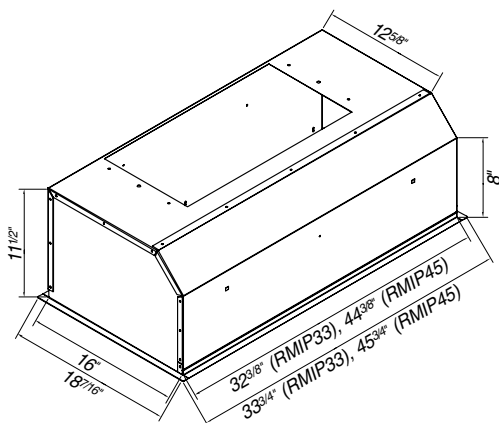
* 8"–10" transition (model 414) is required for the Exterior or In-Line models.

- Brushed stainless steel finish.
- Design allows use with custom liners or Broan Elite Pro-Style Insert liners (sold separately).
- Pro-Style Insert available in 33" and 45" widths.
- Variable speed control for quiet operation.
- Optional remote wall control available.
- Heat Sentry™ detects excessive heat and adjusts blower speed to high automatically.
- Dishwasher-safe stainless steel/aluminum filters, or optional baffle filters.
- Bright halogen lighting, two 50-watt lamps (RMIP33) or three 50-watt lamps (RMIP45), bulbs not included.
- Choose 460 or 850 CFM Internal, or choice of eight External blower options: four Exterior: 600, 900, 1200 or 1500 CFM, or four In-Line: 280, 600, 800 or 1100 CFM. All blowers sold separately.
- Optional liners in 36", 42", 48" and 60" widths protect custom hoods.

Range Hood Specifications

Range Hood Specifications					Optional Accessory
MODEL	WIDTH	BLOWER*	CFM [▲]	FINISH	BAFFLE FILTER KIT
RMIP33	33 ³ / ₄ " [▲]	Internal	460 (P5), 850 (P8)	430 Brushed Stainless	RBFIP33
		External	*	430 Brushed Stainless	
RMIP45	45 ³ / ₄ " [▲]	Internal	460 (P5), 850 (P8)	430 Brushed Stainless	RBFIP45
		External	*	430 Brushed Stainless	

* All blowers must be purchased separately and are HVI Certified. See blower specifications table on page 43.
 ▲ All ratings for vertical duct only.



RMIPWC Optional Wall Control for RMIP

Remote wall control provides both variable speed and light control from a more convenient location. Designed to work with the RMIP Pro-Style Insert only.



3-STEP INSERT & BLOWER SELECTION GUIDE

1. Select the right size Pro-Style Insert

- **RMIP33** (33" width) or **RMIP45** (45" width)
- Both feature an 18¹/₁₆" depth
- 460 or 850 CFM Internal blower options
- 280–1500 CFM External blower options

2. Select a Liner to fit your cabinetry

For cabinet/hood inside depths of 23"–26" choose:

- **RML3336S** 36" width, use with **RMIP33**
- **RML3342S** 42" width, use with **RMIP33**
- **RML4548S** 48" width, use with **RMIP45**
- **RML4560S** 60" width, use with **RMIP45**

3. Select a blower for your Insert

Internal blowers:

- **P5** (460 CFM)
- **P8** (850 CFM)

Exterior blowers (outside, roof or wall):

- **331H** (600 CFM)*
- **332H** (900 CFM)*
- **335** (1200 CFM)*
- **336** (1500 CFM)*

In-Line blowers (inside, attic or other space):

- **HLB3** (280 CFM)*
- **HLB6** (600 CFM)*
- **HLB9** (800 CFM)*
- **HLB11** (1100 CFM)*

* 332KR Rough-In Kit is required when used with Exterior and In-Line blower options above (purchased separately).



Model PM390 shown.

Hideaway

Great ventilation performance. Great flush look.

Virtually hides from sight creating a seamless integration of cabinets and ventilation. Quiet and powerful, the Hideaway turns on simply by pulling it out.

Custom Hood Kit

Ultimate ventilating solution for custom range hood designs.

The Custom Hood Kit is the perfect match of high performance ventilation and adjustable construction.

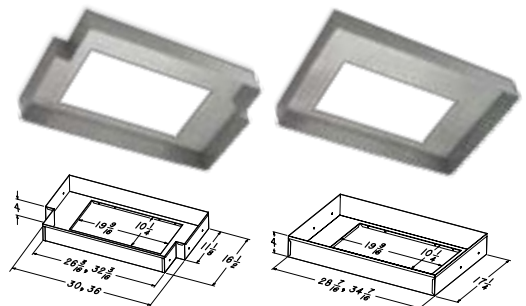
Custom Hood Power Packs and Modules

High-performance ventilation solutions.

These integrated units provide the ventilation and lighting you need for your custom application.

PM390 & PM250 Liners

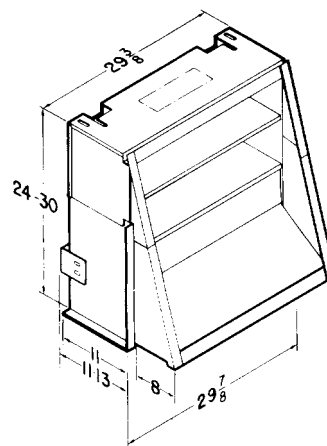
Broan "T" and "B" liners provide an elegant way to finish a traditional wood hood and protect cabinetry. They feature a durable silver painted finish and a 4" depth for good capture. Hemmed edges hide exposed edges, and pre-drilled mounting holes make installation easy.



LT30 & 36 "T" liners work with wood hoods that are integrated with adjacent 12" deep cabinets.

LB30 & 36 "B" (box) liners fit into 18" deep wood hoods or cabinet bottoms.

- The Hideaway offers clean cabinet lines, effective ventilation and over-the-range storage.
- Accommodates 30" wide by 24" to 30" high face frame cabinets.
- Fluorescent cooktop lighting (lamps sold separately).
- Powerful, quiet 360 CFM/4.5 sone performance (vertical discharge only).
- Blower and light automatically turn on when hood is pulled out.
- Heat Sentry™ detects excessive heat and adjusts blower speed to high automatically.
- Designed for ducted (vertical discharge only) installations. Includes 3¼" x 10" damper adapter.
- Must order Rough-In Kit model 113123 for installation, purchase separately.



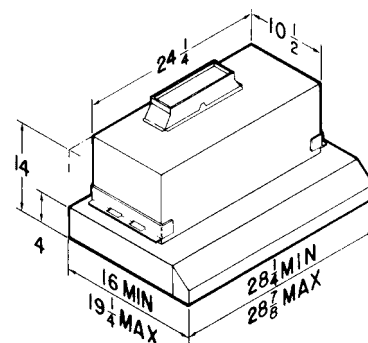
Range Hood Specifications

MODEL	VOLTS	AMPS	SONES	CFM	DUCT	ROUGH-IN KIT	FLUORESCENT BULB
113023	120	3.7	4.5	360	3¼" x 10"	113123	F20T12

Fluorescent Tube: 24", F20T12 (not included). Duct vertical only.



- Fits into custom cabinetry from 30" to 42" wide.*
- Powerful, quiet 360 CFM/5.0 sone performance (vertical discharge only).
- 24" fluorescent tube lighting (bulb not included).
- Heat Sentry™ detects excessive heat and adjusts blower speed to high automatically.
- For ducted installations, includes damper/adapter for 3¼" x 10" duct.
- Must order model 103123 Rough-In Kit.



Range Hood Specifications

MODEL	VOLTS	AMPS	SONES	CFM	DUCT	ROUGH-IN KIT	FLUORESCENT BULB	EXTENSION KIT
103023**	120	3.7	5.0	360	3¼" x 10"	103123	F20T12	97009790

Fluorescent Tube: 24", F20T12 (not included).

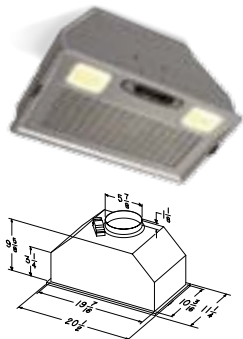
* For installations up to 36" order extension kit No. 97009790.

** Duct vertical only.



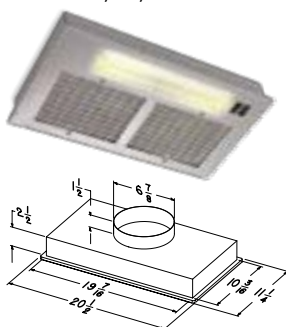
MODEL PM390

- Silver paint finish.
- Three speed, slide control.
- Heat Sentry™ detects excessive heat and adjusts speed automatically.
- Quiet centrifugal blower, 390 CFM (vertical discharge).
- Dual 40-watt lamps (Purchase separately).
- Dishwasher safe aluminum filter.
- For ducted installations, includes adapter and damper for 6" round duct.
- Optional non-ducted filter kit (Purchase separately).
- Works with optional custom hood liners in 30", 36", "Box" or "T" design.
- ENERGY STAR® version on pg 20-21.



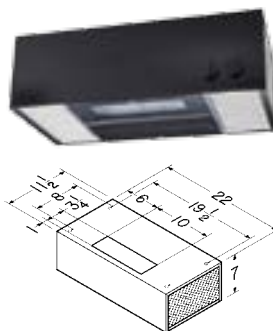
MODEL PM250

- Silver paint finish.
- Two speed motor, rocker control.
- Efficient 250 CFM fan (vertical discharge).
- Dual 40-watt lighting (Purchase lamps separately).
- Dishwasher safe aluminum filter.
- For ducted installations, built-in adapter for 7" round duct.
- Optional non-ducted filter kit (Purchase separately).
- Works with optional custom hood liners in 30", 36", "Box" or "T" design.



MODEL PM44WW

- Variable speed, rotary controls.
- Twin squirrel-cage blower, 410 CFM (vertical discharge).
- Two-level light control (bulb not included).
- Two washable aluminum filters.
- Black or White finish.
- For ducted installations, includes damper/adapter for 3¼" x 10" duct.
- Optional non-ducted kit, Model 355 NDK (purchased separately).



Discontinued, available while supplies last

Power Pack and Power Module Specifications

Power Pack and Power Module Specifications								Options & Accessories				
SILVER	WHITE	BLACK	VOLTS	AMPS	SONES	CFM	DUCT	NON-DUCTED KIT*	ALUMINUM FILTER	CHARCOAL FILTER	30" LINERS	36" LINERS
PM390	-	-	120	2.9	6.0	390	6" RD	357NDK	B08087922	B08999040	LT30 or LB30	LT36 or LB36
PM250	-	-	120	2.1	8.0	250	7" RD	356NDK	B08087922	B08999040	LT30 or LB30	LT36 or LB36
-	PM44WW	-	120	4	5.5	410	3¼" x 10"	355NDK	R610080	R610081	-	-

* Includes charcoal filter. Some duct work is required for non-ducted applications.



Choose from a full line of ENERGY STAR® qualified range hoods from the experts!



Broan® introduced the first ENERGY STAR® qualified range hoods with the QDE Series. Now, we're growing our ENERGY STAR® range hood family with four new designs. All meet Green Building program requirements from USGBC®, LEED®, NAHB and ENERGY STAR® with energy-efficient motors and compact fluorescent lighting. What's more, all are certified by HVI (Home Ventilating Institute) so you know you have a powerful hood. Save energy—and money—with ENERGY STAR® qualified range hoods from Broan.

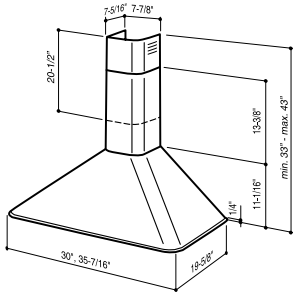
Broan Elite RME50000

Rangemaster

Beautiful, yet attainable.

European design with tremendous value to meet the requirements of today's conventional appliance and kitchen styles.

- Three-speed slide control and integrated dual fluorescent light assembly.
- Heat Sentry™ detects excessive heat and adjusts blower speed to high automatically.
- Dual 13-watt fluorescent lamps included (one level).
- Dishwasher-safe aluminum filter features a quick-release latch and professional style appearance.
- Ducted telescopic flue accommodates ceiling heights from 8 to 9 feet. Extension flues for higher ceilings are also available.*
- Install hood so that the bottom of the unit is 24 to 30 inches above the cooking surface. Mounting height is determined by ceiling height.



Available
June 2011



ENERGY STAR

Range Hood Specifications

WIDTH	STAINLESS STEEL	VOLTS	AMPS	CFM	DUCT
30"	RME5030SS	120	2.86	290	6" RD



* Optional flue extension for 10' ceiling—extensions over 10' have up to a 14-week order time.

Options & Accessories

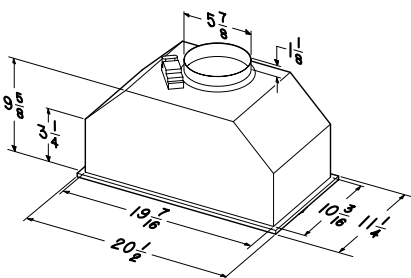
FLUE EXTENSION* STAINLESS STEEL
RFX5004

* Optional flue extension for 10' ceiling—extensions over 10' have up to a 14-week order time.

Model PME300

ENERGY STAR® efficiency, for custom applications provides the ventilation and lighting you need in one integrated package.

- Silver paint finish.
- Three speed, slide control.
- Heat Sentry™ detects excessive heat and adjusts speed automatically.
- Quiet centrifugal blower, 290 CFM (vertical discharge).
- Dual 13-watt fluorescent lamps included.
- Dishwasher safe aluminum filter.
- For ducted installations, includes adapter and damper for 6" round duct.
- Works with optional custom hood liners in 30", 36", "Box" or "T" design.



Available
June 2011



Power Pack and Power Module Specifications

SILVER	VOLTS	AMPS	SONES	CFM	DUCT
PME300	120	2.8	6.0	290	6" RD



Options & Accessories

ALUMINUM FILTER	30" LINERS	36" LINERS
B08087922	LT30 or LB30	LT36 or LB36



QDE Series

The first ENERGY STAR® range hood on the market.



Compact fluorescent lighting.



APE Series

High performance, professional style ENERGY STAR® range hood.



Tilt-down compact fluorescent lighting.



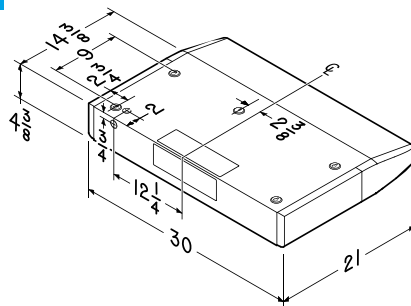
QSE Series

Allure, America's contemporary style choice is now available with ENERGY STAR®.



Tilt-down compact fluorescent lighting.

- Two speed rocker switch.
- 290 CFM at maximum speed.
- 0.8 Sones at normal speed (130 CFM).
- Vertical or horizontal discharge.
- Dual 13-watt compact fluorescent bulbs (included).
- Fully enclosed bottom to aid in trapping grease and contaminants.
- Dishwasher-safe aluminum filters and blower wheel.
- Available in stainless steel, white and black.



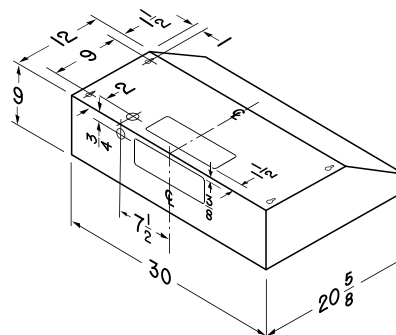
Includes 3-1/4x10" damper/adapter

Range Hood Specifications

WIDTH	WHITE	BLACK	STAINLESS STEEL
30"	QDE30WW	QDE30BL	QDE30SS

VOLTS	AMPS	SONES NORMAL SETTING	SONES HIGH SETTING	CFM BOOST MODE	DUCT
120	1.6	0.8	5.5	290	3 1/4" x 10"

- 9" Pro-style hood height for maximum capture.
- Hidden, variable speed controls with last setting memory.
- 440 CFM at maximum speed.
- 0.7 Sones at normal speed (200 CFM).
- Bright 42-watt compact fluorescent bulb (included).
- Convenient 4-watt night-light (bulb included).
- Dishwasher-safe, antimicrobial protected filters.
- Heat Sentry™ detects excessive heat and adjusts speed to high automatically.
- Available in stainless steel finish.



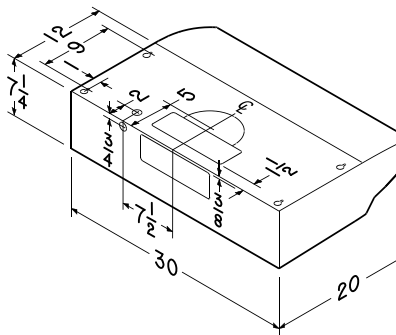
Includes 3-1/4x10" damper/adapter

Range Hood Specifications

WIDTH	STAINLESS STEEL
30"	APE130SS

VOLTS	AMPS	SONES NORMAL SETTING	SONES HIGH SETTING	CFM HIGH	DUCT
120	1.9	0.7	7.0	440	3 1/4" x 10"

- Two speed rocker switch.
- 210 CFM at maximum speed.
- 1.5 Sones at normal speed (110 CFM).
- Vertical or horizontal discharge.
- Bright 42-watt compact fluorescent bulb (included).
- Convenient 4-watt night-light (bulb included).
- Dishwasher-safe aluminum filters.
- Available in stainless steel, white and black.



Flexible option for ducted installation
 • Three way convertible 3-1/4x10" (horizontal and vertical), 7" round (vertical)
 • Includes 3-1/4x10" damper/adapter and 7" round adapter

Range Hood Specifications

WIDTH	WHITE	BLACK	STAINLESS STEEL	7" ROUND DAMPER
30"	QSE130WW	QSE130BL	QSE130SS	BP87

VOLTS	AMPS	SONES NORMAL SETTING	SONES HIGH SETTING	CFM HIGH	DUCT
120	1.8	1.5	5.0	210	3 1/4" x 10" OR 7" RD



E64000 shown with a custom backsplash.

Broan Elite E64000 Series

Professional style that fits under any cabinet.



E64000 shown with non-duct recirculating kit and a custom backsplash.

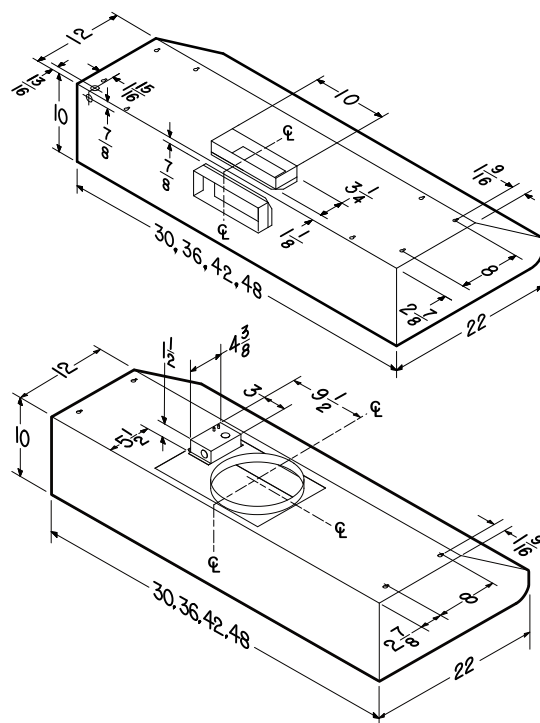
Broan Elite Options

Adapt to any installation. Quality Broan Elite options let you create a custom look.

- Restaurant-quality stainless steel backsplash with fold-down shelves completes the commercial look and is easy to clean.
- When venting to the exterior is not possible, an optional non-duct kit will filter air through charcoal filters and recirculate it back into the kitchen.

True professional style and performance has never been easier to bring home.

- Brushed stainless steel finish.
- Bright halogen lighting with two settings; Two 50-watt bulbs in 30" and 36" widths, Three 50-watt bulbs in 42" and 48" widths (purchase bulbs separately).
- Pro-style, dishwasher-safe baffle filters with removable grease drip rail.
- Variable speed control remembers last setting—blue power-on indicator light.
- Heat Sentry™ detects excessive heat and adjusts blower speed automatically.
- Designed to duct out of the hood shell in either horizontal or vertical direction with internal blowers. External blowers duct vertically.
- Designed to work with Broan Automatic Make-Up Air Damper.



Internal Blower Specifications

WIDTH	STAINLESS STEEL	CFM	SONES NORMAL SETTING ¹	LAMPS	MAX AMPS ¹	DUCTING ²
30"	E6430SS	600	1.5	2-50W GU10	5.0	3-1/4" x 10"
36"	E6436SS	600	1.5	2-50W GU10	5.0	3-1/4" x 10"
42"	E6442SS	600	1.5	3-50W GU10	5.5	3-1/4" x 10"
48"	E6448SS	600	1.5	3-50W GU10	6.0	3-1/4" x 10"
48"	E6448TSS	1200	2.0	3-50W GU10	9.0	4-1/2" x 18"

¹ Sones at high speed for Internal 600-13.5 max; Internal 1200-14.5 max.

² Duct adapter & damper is included with the Internal blowers.

• 120V 60Hz

External Blower Specifications

WIDTH	STAINLESS STEEL	CFM ¹ (see page 43)	SONES ²	LAMPS	MAX AMPS ¹	DUCTING ³
30"	E64E30SS	280-1500	see below	2-50W GU10	5.5	10" Rd
36"	E64E36SS	280-1500	see below	2-50W GU10	5.5	10" Rd
42"	E64E42SS	280-1500	see below	3-50W GU10	6.0	10" Rd
48"	E64E48SS	280-1500	see below	3-50W GU10	6.0	10" Rd

¹ See page 43 for Exterior (600-1500 CFM) and Inline (280-1100 CFM) blower specifications.

² Sone levels are typically half of comparable CFM internal blowers.

³ External blower capable models include the 332KR rough-in kit (Purchase blowers separately).

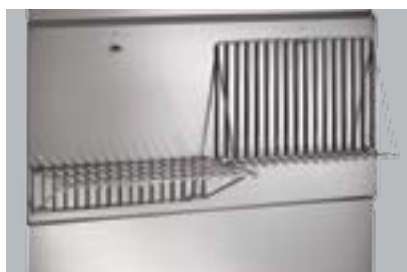
• 120V 60Hz



Pro-style, dishwasher-safe baffle filters with removable grease drip rail. Filters feature handles for convenient removal.



A non-duct kit may be used to recirculate filtered air back into the kitchen if ducting is not practical.



The professional look is completed with an optional backsplash.

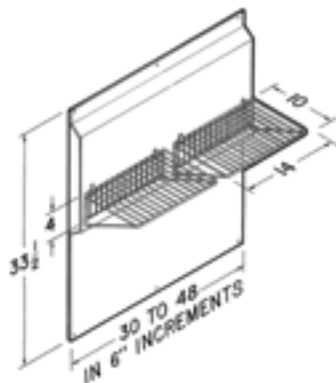
E64000 Options and Accessories Selection Table

WIDTH	NON-DUCT KIT†*	BACKSPLASH	NON-DUCTED FILTER*	BROAN MAKE-UP AIR DAMPER
30"	ANKE60302SS	RMP3004	ROUNDFILTER	MD6T, MD8T
36"	ANKE60362SS	RMP3604	ROUNDFILTER	MD6T, MD8T
42"	ANKE60422SS	RMP4204	ROUNDFILTER	MD6T, MD8T
48"	ANKE60482SS	RMP4804	ROUNDFILTER**	MD6T, MD8T

† For models with internal blowers only.

* Includes non-ducted filters.

**Requires two packs for 1200 CFM Blower.



Make-Up Air Damper Model MD6T, MD8T



E60000 shown with optional 12" soffit flue.

Broan Elite E60000 Series

Take professional style to new heights.



E60000 shown with non-duct recirculating kit.

Broan Elite Options

Adapt to any installation. Quality Broan Elite options let you create a custom look.

- Restaurant-quality stainless steel backsplash with fold-down shelves completes the commercial look and is easy to clean.
- Optional matching soffit chimney on the E60000 extends the commercial look in kitchens with ceilings up to 8 feet high.
- When venting to the exterior is not possible, an optional non-duct kit will filter air through charcoal filters and recirculate it back into the kitchen.

True professional style and performance has never been easier to bring home.

- Brushed stainless steel finish.
- Bright halogen lighting with two settings; Two 50-watt bulbs in 30" and 36" widths, Three 50-watt bulbs in 42" and 48" widths (purchase bulbs separately).
- Pro-style, dishwasher-safe baffle filters with removable grease drip rail.
- Variable speed control remembers last setting—blue power-on indicator light.
- Heat Sentry™ detects excessive heat and adjusts blower speed automatically.
- Designed to duct out of the hood shell in either horizontal or vertical direction with any blower configuration.
- Designed to work with Broan Automatic Make-up air damper.



Internal Blower Specifications

WIDTH	STAINLESS STEEL	CFM	SONES NORMAL SETTING ¹	LAMPS	MAX AMPS ²	DUCTING ²
30"	E6030SS	600	1.5	2-50W GU10	5.0	3-1/4" x 10"
36"	E6036SS	600	1.5	2-50W GU10	5.0	3-1/4" x 10"
42"	E6042TSS	1200	2.0	3-50W GU10	9.0	4-1/2" x 18"
48"	E6048TSS	1200	2.0	3-50W GU10	9.0	4-1/2" x 18"

¹ Sones at high speed for Internal 600–13.5 max; Internal 1200–14.5 max.

² Duct adapter & damper is included with the Internal blowers.

♦ 120V 60Hz

External Blower Specifications

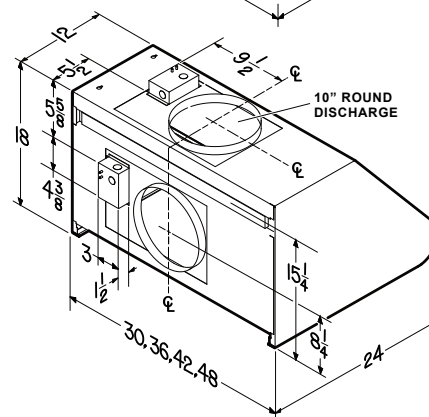
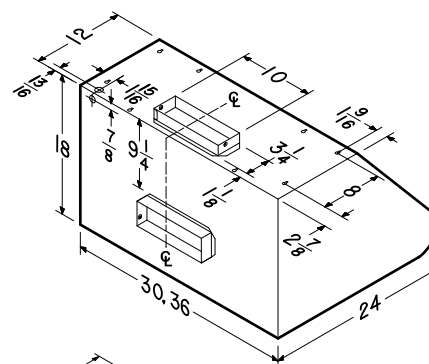
WIDTH	STAINLESS STEEL	CFM ¹ (see page 43)	SONES ²	LAMPS	MAX AMPS ³	DUCTING ³
30"	E60E30SS	280–1500	see below	2-50W GU10	5.5	10" Rd
36"	E60E36SS	280–1500	see below	2-50W GU10	5.5	10" Rd
42"	E60E42SS	280–1500	see below	3-50W GU10	6.0	10" Rd
48"	E60E48SS	280–1500	see below	3-50W GU10	6.0	10" Rd

¹ See page 43 for Exterior (600–1500 CFM) and Inline (280–1100 CFM) blower specifications.

² Sone levels are typically half of comparable CFM internal blowers.

³ External blower capable models include the 332KR rough-in kit (Purchase blowers separately).

♦ 120V 60Hz



Pro-style, dishwasher-safe baffle filters with removable grease drip rail. Filters feature handles for convenient removal.



A non-duct kit may be used to recirculate filtered air back into the kitchen if ducting is not practical.



The professional look is completed with an optional backplash.

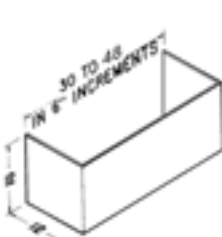
E60000 Options and Accessories Selection Table

WIDTH	NON-DUCT KIT [†] *	12" SOFFIT FLUE COVER	BACKSPLASH	NON-DUCTED FILTER*	BROAN MAKE-UP AIR DAMPER
30"	ANKE60302SS	AEE60302SS	RMP3004	ROUNDFILTER	MD6T, MD8T
36"	ANKE60362SS	AEE60362SS	RMP3604	ROUNDFILTER	MD6T, MD8T
42"	ANKE60422SS	AEE60422SS	RMP4204	ROUNDFILTER**	MD6T, MD8T
48"	ANKE60482SS	AEE60482SS	RMP4804	ROUNDFILTER**	MD6T, MD8T

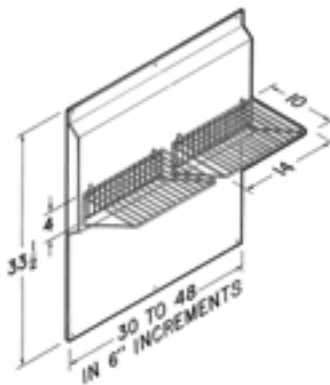
[†] For models with internal blowers only.

* Includes non-ducted filters.

** Requires two packs for 1200 CFM Blower.



12" SOFFIT FLUE COVER



Make-Up Air Damper Model MD6T, MD8T



Broan Elite E661

Ultra Quiet Performance. The clean, smooth design of this range hood fits snugly under cabinets and provides quiet and effective ventilation.

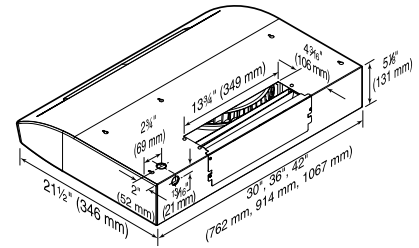
- <0.3 sones at normal speed.
- Enclosed stainless steel bottom with dishwasher-safe stainless steel filter with easy release latches.
- Fully enclosed filter bottom.
- Brilliant dual 50-watt halogen lighting (GU10 bulbs not included).
- Three-level light settings with last setting memory and transitional theater style lighting. Intensities change gradually.
- Large recessed bottom filter area increases capture.
- 600 CFM internal blower (3¼" x 14" duct, convertible to horizontal or vertical discharge).
- Three-speed plus boost with last setting memory and 5-minute delay off feature.
- Heat Sentry™ detects excessive heat and adjusts blower speed to high automatically.

Range Hood Specifications

WIDTH	STAINLESS STEEL	WHITE	BLACK	BLOWER	VOLTS	AMPS	NORMAL+ SETTING CFM/SONES	HIGH+ SETTING CFM/SONES	BOOST+ MODE CFM/SONES	DUCT*
30"	E66130SS	E66130WH	E66130BL	Internal	120	2.4	120/0.4	290/2.5	550/8.5	3¼" x 14"
36"	E66136SS	E66136WH	E66136BL	Internal	120	2.4	120/0.4	290/2.5	550/8.5	3¼" x 14"
42"	E66142SS	-	-	Internal	120	2.4	120/0.4	290/2.5	550/8.5	3¼" x 14"

* Optional accessory, T461 Adapter 3¼" x 14" to 3¼" x 10" (will reduce CFM a minimum of 100 CFM).

+ Performance levels are for vertical discharge (horizontal boost 600 CFM).



Broan Elite E662/E662E

Classic style, high performance. Homeowners will appreciate the high style and modern convenience of this ultra-quiet range hood.

- Quiet 0.3 sones at normal speed. (E662)
- Enclosed stainless steel bottom with dishwasher-safe stainless steel filter with easy release latches.
- Smooth glass-look I-Control™ senses the touch of finger without moving parts.
- Brilliant dual 50-watt halogen lighting (GU10 bulbs not included).
- Three-level light settings with last memory setting and transitional theater style.
- E662 890 CFM Internal cabinet blower or E662E with choice of External blowers up to 1500 CFM.
- Large recessed filter area increases capture.
- Three-speed control with boost memorizes last setting. Variable delay off—choice of 5-, 10-, 15- or 20-minute intervals.
- Heat Sentry™ detects excessive heat and adjusts blower speed to high automatically.

Available while supplies last.

E662E* Range Hood Specifications

WIDTH	STAINLESS	WHITE	BLACK	BLOWER	VOLTS	AMPS	CFM	DUCT
30"			E662E30BL	External†	120	2.4	-	10" round (V)
36"		E662E36WH	E662E36BL	External†	120	2.4	-	10" round (V)
42"	E662E42SS	-	-	External†	120	2.4	-	10" round (V)

* External blowers (see chart on right) sold separately. See pages 46 and 47.

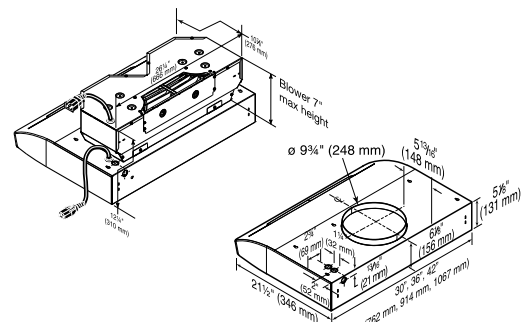
† External blowers sold separately.

E662 Range Hood Specifications**

WIDTH	STAINLESS	BLACK	BLOWER	VOLTS	AMPSCFM RANGE	DUCT
30"	E66230SS	E66230BL	Internal	120	2.4 160 - 890	3¼" x 14"
36"		E66236BL	Internal	120	2.4 160 - 890	3¼" x 14"

* Optional accessory, T461 Adapter 3¼" x 14" to 3¼" x 10" (will reduce CFM a minimum of 100 CFM).

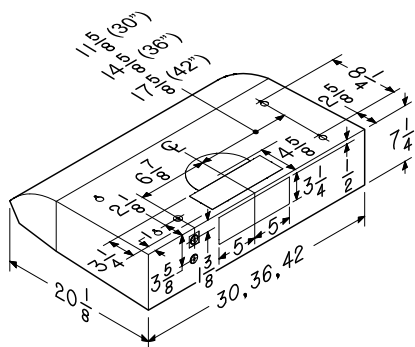
** Sound level: normal 0.3 sones at 180 CFM (vertical duct). See page 47 for all ratings.





Evolution™ 4

EVOLUTION 4 tops our line with brilliant lighting features, plus greater blower control boasting a 600 CFM blower that is the quietest in the line.



An optional remote control with magnetic base enables operation of blower speed, lighting and delay-off feature from across the room.

BCR1

- **Brushed Stainless Steel.**
- **Easy-to-clean, fully-enclosed non-stick bottom pan.**
- **Dishwasher-safe, quick latch, aluminum premium-mesh filters with antimicrobial coating.**
- **Soft-touch, sealed control panel, green LEDs with clock/timer, delay-off, ambient light sensor and sleep mode.**
- **Four-speed blower control includes boost mode.**
- **Optional remote control with blower speed, lighting and delay on/off control capability (battery included).**
- **Four Halogen MR16/GU10 50W lamps (bulbs included).**
- **Four-level light settings with theater-style transitions; plus ambient light sensor that automatically turns lighting on at night.**
- **Broan Advanced Heat Sentry™ detects excessive heat and adjusts blower speed for proper ventilation.**
- **Compatible with optional make-up air damper accessory.**

Range Hood Specifications

WIDTHS	STAINLESS STEEL	CFM†	SONES†	HALOGEN LIGHTING (LEVELS)	CONTROLS / SPEEDS	ANTIMICROBIAL DISHWASHER-SAFE FILTERS	DUCTING	REMOTE CONTROL (optional)	MAKE-UP AIR DAMPER (optional)
30"	QP430SS	150, 290 470, 630	Normal: <0.3 Mid: 1.5, High: 4.5 Boost: 7.5	Four MR16/GU10 50W (4)	Electronic Pushbutton/ Four	Aluminum Premium-mesh	3-1/4"x14** (H & V) 7" Rd. (V)	BCR1	MD6T, MD8T
36"	QP436SS	150, 290 470, 630	Normal: <0.3 Mid: 1.5, High: 4.5 Boost: 7.5	Four MR16/GU10 50W (4)	Electronic Pushbutton/ Four	Aluminum Premium-mesh	3-1/4"x14** (H & V) 7" Rd. (V)	BCR1	MD6T, MD8T
42"	QP442SS	150, 290 470, 630	Normal: <0.3 Mid: 1.5, High: 4.5 Boost: 7.5	Four MR16/GU10 50W (4)	Electronic Pushbutton/ Four	Aluminum Premium-mesh	3-1/4"x14** (H & V) 7" Rd. (V)	BCR1	MD6T, MD8T

**3-1/4"x10" damper/adaptor (T461) accessory available (reduces max CFM by 100 CFM).

† CFM and SONES are in horizontal discharge.



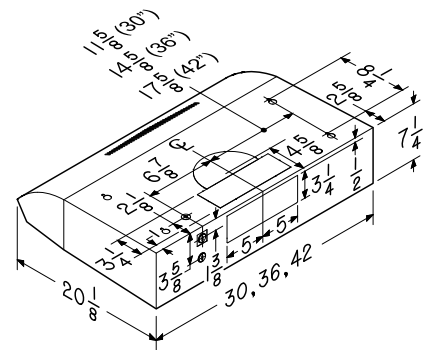
Advanced soft-touch digital display.

EVOLUTION™ 3

EVOLUTION 3 has brilliant lighting features, plus greater blower control including a Boost mode that serious cooks will adore.

- **Brushed Stainless Steel, Black or White finishes.**
- **Easy-to-clean, fully-enclosed non-stick bottom pan.**
- **Dishwasher-safe, quick latch, aluminum premium-mesh filters with antimicrobial coating.**
- **Soft-touch, lighting and blower sealed control panel, green LEDs with clock/timer, delay-off, ambient light sensor and sleep mode.**
- **Optional remote control with blower speed, lighting and delay on/off control capability (battery included).**
- **Four Halogen MR16/GU10 50W lamps (bulbs included).**
- **Four-level light settings with theater-style transitions; plus ambient light sensor that automatically turns lighting on at night.**
- **Broan Advanced Heat Sentry™ detects excessive heat and adjusts blower speed for proper ventilation.**
- **Compatible with optional make-up air damper accessory.**

Ducting: 3-1/4" x 10" (includes damper/adapter), or 7" round (includes adapter). Non-ducted installation requires optional CleanSense™ charcoal filters, purchased separately.



BCR1

An optional remote control with magnetic base enables operation of blower speed, lighting and delay-off feature from across the room.

Range Hood Specifications

WIDTHS	STAINLESS STEEL	WHITE	BLACK	CFM* LEVELS	SONES*	HALOGEN LIGHTING (LEVELS)	CONTROLS / SPEEDS	ANTIMICROBIAL DISHWASHER-SAFE FILTERS	DUCTING*	REMOTE CONTROL (optional)	MAKE-UP AIR DAMPER (optional)
30"	QP330SS	QP330WW	QP330BL	100, 230, 360, 450	Normal: 0.3 Mid: 2.0 High: 5.0 Boost: 7.0	Four MR16/GU10 50W (4)	Electronic Pushbutton/ Four	Aluminum Premium-mesh	3-1/4"x10" (H & V) 7" Rd. (V)	BCR1	MD6T, MD8T
36"	QP336SS	QP336WW	QP336BL	100, 230, 360, 450	Normal: 0.3 Mid: 2.0 High: 5.0 Boost: 7.0	Four MR16/GU10 50W (4)	Electronic Pushbutton/ Four	Aluminum Premium-mesh	3-1/4"x10" (H & V) 7" Rd. (V)	BCR1	MD6T, MD8T
42"	QP342SS	QP342WW	QP342BL	100, 230, 360, 450	Normal: 0.3 Mid: 2.0 High: 5.0 Boost: 7.0	Four MR16/GU10 50W (4)	Electronic Pushbutton/ Four	Aluminum Premium-mesh	3-1/4"x10" (H & V) 7" Rd. (V)	BCR1	MD6T, MD8T

*Non-ducted recirculating installation requires optional CleanSense™ charcoal filters, BPPF(30/36/42).
 † CFM and SONES are in horizontal discharge.

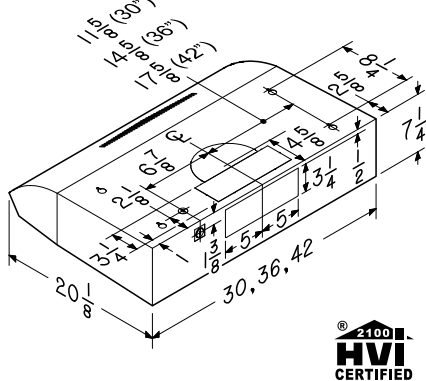
EVOLUTION™ 2

EVOLUTION 2 provides the control, power and lighting you need in four attractive finishes.

- Brushed Stainless Steel, Black, White or Bisque finishes.
- Easy-to-clean, fully-enclosed non-stick bottom pan.
- Dishwasher-safe, quick latch aluminum micro-mesh filters with antimicrobial coating.
- Soft-touch lighting and blower control panel, green LEDs.
- Four Halogen MR16/GU10 50W lamps (bulbs included).
- Three-level light settings with theater-style transition.
- Broan Advanced Heat Sentry™ detects excessive heat and adjusts blower speed for proper ventilation.



Soft-touch electronic control.



Range Hood Specifications

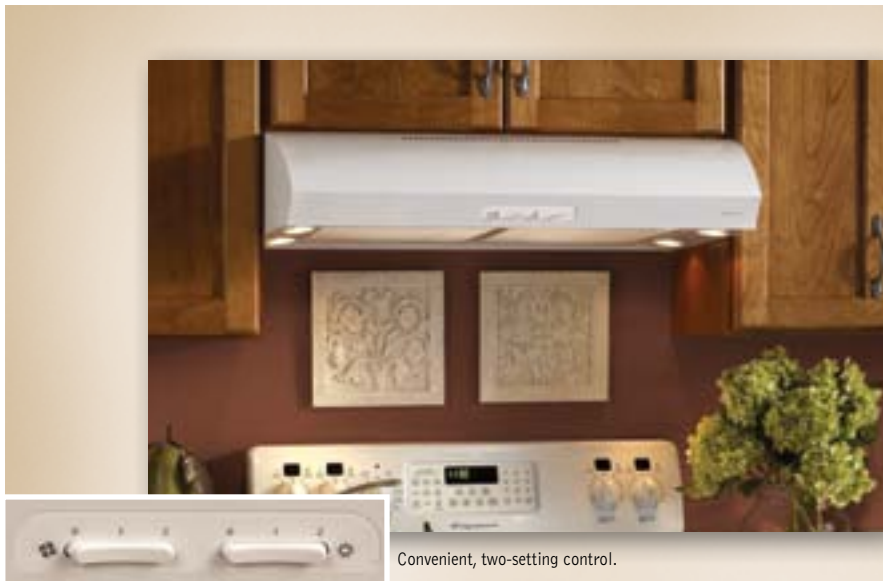
WIDTHS	STAINLESS STEEL	WHITE	BLACK	BISQUE	CFM [†] LEVELS	SONES [†]	HALOGEN LIGHTING (LEVELS)	CONTROLS / SPEEDS	ANTIMICROBIAL DISHWASHER-SAFE FILTERS	DUCTING**
30"	QP230SS	QP230WW	QP230BL	QP230BC	100, 350	Normal: 0.6 High: 5.0	Four MR16/GU10 50W (3)	Electronic Pushbutton/Three	Aluminum Micro-mesh	3-1/4"x10" (H & V) 7" Rd. (V)
36"	QP236SS	QP236WW	QP236BL	QP236BC	100, 350	Normal: 0.6 High: 5.0	Four MR16/GU10 50W (3)	Electronic Pushbutton/Three	Aluminum Micro-mesh	3-1/4"x10" (H & V) 7" Rd. (V)
42"	QP242SS	QP242WW	QP242BL	QP242BC	100, 350	Normal: 0.6 High: 5.0	Four MR16/GU10 50W (3)	Electronic Pushbutton/Three	Aluminum Micro-mesh	3-1/4"x10" (H & V) 7" Rd. (V)

Ducting: 3-1/4" x 10" (includes damper/adapter), or 7" round (includes adapter). Non-ducted installation requires optional CleanSense™ charcoal filters, purchased separately.

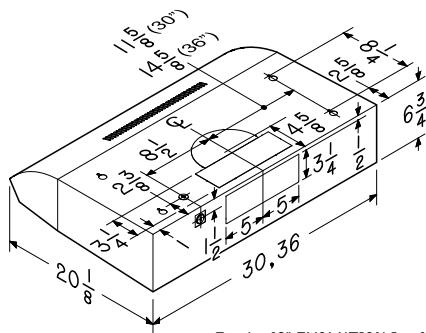
EVOLUTION™ 1

EVOLUTION 1 is ideal for those who feel simplicity defines elegance.

- Brushed Stainless Steel, Black or White finishes.
- Easy-to-clean, fully-enclosed underside.
- Dishwasher-safe, quick latch aluminum mid-mesh filters with antimicrobial coating.
- Simple, two-speed blower and lighting controls.
- Four Halogen MR16/GU10 35W lamps (bulbs not included).
- Two-level light settings.



Convenient, two-setting control.



For the 42" EVOLUTION 1 refer to the EVOLUTION 2 line art.
Ducting: 3-1/4" x 10" (includes damper/adapter), or 7" round (includes adapter). Non-ducted installation requires optional CleanSense™ charcoal filters, purchased separately.

Range Hood Specifications

WIDTHS	STAINLESS STEEL	WHITE	BLACK	CFM [†] LEVELS	SONES [†]	HALOGEN LIGHTING (LEVELS)	CONTROLS / SPEEDS	ANTIMICROBIAL DISHWASHER-SAFE FILTERS	DUCTING**
30"	QP130SS	QP130WW	QP130BL	120, 300	Normal: 0.8 High: 5.0	Four MR16/GU10 35W* (2)	Dual Rocker/Two	Aluminum Mid-mesh	3-1/4"x10" (H & V) 7" Rd. (V)
36"	QP136SS	QP136WW	QP136BL	120,300	Normal: 0.8 High: 5.0	Four MR16/GU10 35W* (2)	Dual Rocker/Two	Aluminum Mid-mesh	3-1/4"x10" (H & V) 7" Rd. (V)
42"	QP142SS	QP142WW	QP142BL	100,300	Normal: 0.8 High: 5.0	Four MR16/GU10 35W* (2)	Dual Rocker/Two	Aluminum Mid-mesh	3-1/4"x10" (H & V) 7" Rd. (V)

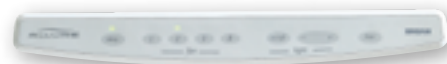
*Lamps not included. **Non-ducted recirculating installation requires optional CleanSense™ charcoal filters, BPPF(30/36/42). †CFM and SONES are in horizontal discharge.



QS3 Series (Allure III)

For unparalleled style, quiet, ease of operation and performance.

The ultimate Allure model, combines features like three-speed electronic control plus boost-speed mode, delay-off and filter cleaning reminder. For the first time anywhere, you can have the easy cleaning of DuPont Teflon® in a range hood.



Deluxe glass-look finish, in matching colors. LED indicators for each speed.



QS2 Series (Allure II)

Sets new standard for style, quiet and ease of cleaning.

The Allure II provides the style and performance you demand and with DuPont Teflon®, the easy clean-up you want.



Matte finish in matching color. LED indicators for each speed.



QS1 Series (Allure I)

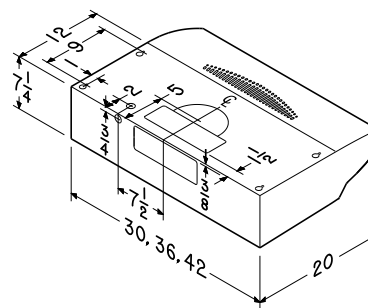
The new benchmark in style and value.

The quietest range hood in its category, with revolutionary performance and the brilliance of halogen lighting. This isn't anything like your Mom's range hood; it's the one she wished for.



Rocker controls and nameplate in matching matte colors.

- Ultra quiet 0.4 sones at normal speed; extra powerful 430 CFM boost.
- Easy-to-clean DuPont Teflon® bottom pan; fully enclosed design.
- Professional style filters; dishwasher-safe.
- Three-level light settings; dual halogen lamp design (bulbs not included).
- Advanced Heat Sentry™ detects excessive heat and adjusts hood speed for proper ventilation.



Range Hood Specifications

Range Hood Specifications						Accessories	
WIDTH	WHITE	BISQUE/BISCUIT	ALMOND	BLACK	STAINLESS STEEL	NON-DUCTED FILTER	7" ROUND DAMPER
30"	QS330WW	QS330BC	QS330AA	QS330BL	QS330SS	BPSF30	BP87
36"	QS336WW	QS336BC	QS336AA	QS336BL	QS336SS	BPSF36	BP87
42"	QS342WW	QS342BC	QS342AA	QS342BL	QS342SS	BPSF42	BP87

Charcoal filters (not included) are required for non-ducted applications.

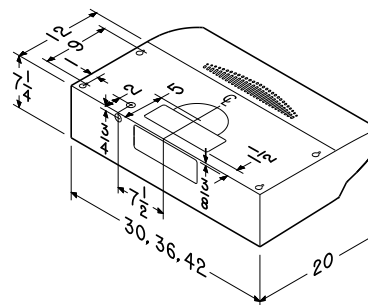
VOLTS	AMPS	SONES NORMAL SETTING	SONES HIGH SETTING	CFM BOOST MODE	DUCT
120	3	0.4*	4.5*	430*	3¼" x 10" OR 7" RD

* Normal setting: 100 CFM, High setting: 300 CFM, sones at Boost: 8.0. Halogen lamps: PAR20 flood (not included).

Flexible options for any installation

- Four-way convertibility 3¼" x 10" (horizontal and vertical), 7" round (vertical) and non-ducted. (Non-ducted Clean Sense™ filters purchased separately.)
- Includes 3¼" x 10" damper/adapter.

- Very quiet 0.9 sones at normal speed; powerful 300 CFM at high setting.
- Easy-to-clean DuPont Teflon® bottom pan, fully enclosed design.
- Micro-mesh filters, dishwasher-safe.
- Three-level light settings; dual halogen lamp design (bulbs not included).
- Three-speed electronic control.
- Heat Sentry™ detects excessive heat and adjusts blower speed to high automatically.



Range Hood Specifications

Range Hood Specifications						Accessories	
WIDTH	WHITE	BISQUE/BISCUIT	ALMOND	BLACK	STAINLESS STEEL	NON-DUCTED FILTER	7" ROUND DAMPER
30"	QS230WW	QS230BC	QS230AA	QS230BL	QS230SS	BPSF30	BP87
36"	QS236WW	QS236BC	QS236AA	QS236BL	QS236SS	BPSF36	BP87
42"	QS242WW	QS242BC	QS242AA	QS242BL	QS242SS	BPSF42	BP87

Charcoal filters (not included) are required for non-ducted applications.

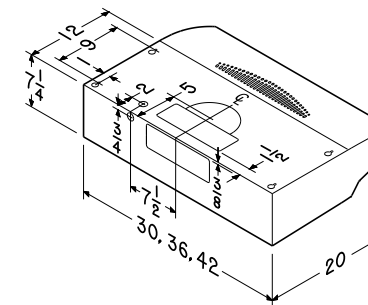
VOLTS	AMPS	SONES NORMAL SETTING	SONES HIGH SETTING	CFM HIGH	DUCT
120	2	0.9	4.5	300	3¼" x 10" OR 7" RD

Halogen lamps: PAR20 flood (not included).

Flexible options for any installation

- Four-way convertibility 3¼" x 10" (horizontal and vertical), 7" round (vertical) and non-ducted. (Non-ducted Clean Sense™ filters purchased separately.)
- Includes 3¼" x 10" damper/adapter.

- Quiet 1.5 sones at normal speed, 220 CFM at high setting.
- Fully enclosed design for easy cleaning.
- Standard large filters, dishwasher-safe.
- Two-level light setting; dual halogen lamp design (bulbs not included).
- Two-speed contoured rocker switch control.
- ENERGY STAR® version on pg 22-23



Range Hood Specifications

Range Hood Specifications						Accessories	
WIDTH	WHITE	BISQUE/BISCUIT	ALMOND	BLACK	STAINLESS STEEL	NON-DUCTED FILTER	7" ROUND DAMPER
30"	QS130WW	QS130BC	QS130AA	QS130BL	QS130SS	BPSF30	BP87
36"	QS136WW	QS136BC	QS136AA	QS136BL	QS136SS	BPSF36	BP87
42"	QS142WW	QS142BC	QS142AA	QS142BL	QS142SS	BPSF42	BP87

Charcoal filters (not included) are required for non-ducted applications.

VOLTS	AMPS	SONES NORMAL SETTING	SONES HIGH SETTING	CFM HIGH	DUCT
120	1.8	1.5	5.0	220	3¼" x 10" OR 7" RD

Halogen lamps: PAR20 flood (not included).

Flexible options for any installation

- Four-way convertibility 3¼" x 10" (horizontal and vertical), 7" round (vertical) and non-ducted. (Non-ducted Clean Sense™ filters purchased separately.)
- Includes 3¼" x 10" damper/adapter.



Full-size filters are also dishwasher-safe.



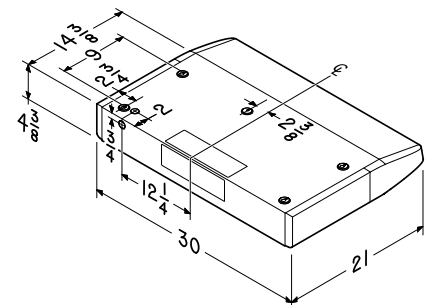
Compact fluorescent lighting

QDE Energy Efficient Range Hood

The first Energy Star qualified range hood on the market.

Leave it to the ventilation experts to develop the first range hood that provides the ventilating power you need while using less energy. The QDE Series does it all, and quietly too, all while meeting Green Building Programs such as USBBC®, LEED®, NAHB and ENERGY STAR. And that means you can expect a total lifetime energy savings of 564 kWh over comparable standard range hoods.

- Stainless steel, black or white finishes.
- Two speed rocker switch.
- 290 CFM at maximum speed.
- 0.8 sones max at normal speed 130 CFM.
- Acoustic insulation surrounds the motor.
- Vertical or horizontal discharge.
- Dual, compact 13-watt fluorescent bulbs (included) last up to five times longer than incandescent lighting.
- Dishwasher safe aluminum filters and blower wheel.



Range Hood Specifications

SERIES	WIDTH	STAINLESS STEEL	WHITE	BLACK	VOLTS	AMPS	CFM High/Low**	SONES High/Low**	DUCT
QDE	30"	QDE30SS	QDE30WW	QDE30BL	120	1.6	290/130	5.5/0.8	3 1/4"x10"

*Rectangular adapter/damper included.
**All ratings in horizontal duct position.





Optional non-duct recirculating kit available for the AP1 Series

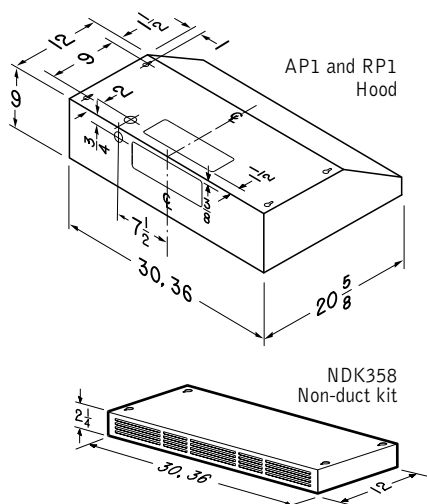
AP1 Series features variable speed controls with last setting memory

RP1 Series features two-speed rocker switch controls

Antimicrobial Coating

Broan combines antimicrobial protection with advanced AP1 mesh filters for unsurpassed benefits:

- Inhibits the growth of odor causing bacteria so filters stay fresher longer.
- Protects the filter so it stays cleaner in between cleanings.



Broan AP1 & RP1 Series

Presenting Broan's newest pro-style hoods.

Never before have appearance and value come together so elegantly.

Features common to both models:

- Brushed stainless steel, black, and white finish options.
- 9" Pro-style hood height for excellent capture
- Hidden controls.
- 30" and 36" widths available.
- Internal 440 CFM centrifugal blower.
- Two-level dual 50-watt halogen lighting (GU10 bulbs purchased separately).
- Heat Sentry™ is a smart feature that detects excessive heat and adjusts speed to high automatically

- ENERGY STAR® version on pg 22-23.

AP1 features:

- Dishwasher-safe micromesh filters have a special coating to keep the filters looking new over repeated cleanings, and exclusive antimicrobial protection.
- Variable speed blower control.
- Non-duct recirculation kit available with charcoal filters.

RP1 features:

- Dishwasher-safe micromesh filters.
- Two-speed blower control.

Range Hood Specifications

SERIES	WIDTH	STAINLESS STEEL	WHITE	BLACK	VOLTS	AMPS	CFM High/Low	SONES High/Low	DUCT
AP1	30"	AP130SS	AP130WW	AP130BL	120	1.9	440/120	7.0/0.5	3¼"x10"
	36"	AP136SS	AP136WW	AP136BL	120	1.9	440/120	7.0/0.5	3¼"x10"
RP1	30"	RP130SS	RP130WW	RP130BL	120	1.9	440/120	7.0/0.5	3¼"x10"
	36"	RP136SS	RP136WW	RP136BL	120	1.9	440/120	7.0/0.5	3¼"x10"

AP1 Options and Accessories

Non-duct Recirculation Kit	Non-ducted Filter
NDK358	88F

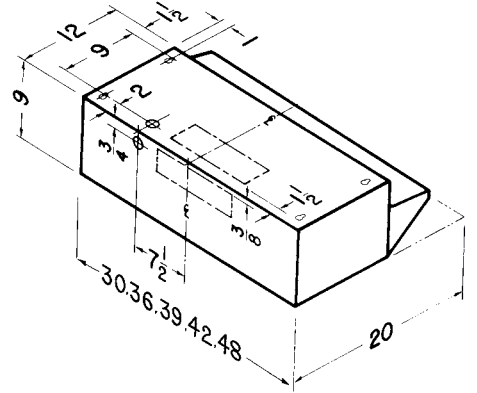




Broan 88000 Series

A simply elegant approach to ventilation.

- Infinite speed slide control with blower memory feature that saves last settings.
- Powerful, quiet 360 CFM, 5.5 sones (vertical discharge) or 350 CFM, 6.0 sones (horizontal discharge) performance, HVI Certified.
- Heat Sentry™ detects excessive heat and adjusts blower speed to high automatically.
- Convertible to ducted or non-ducted operation. Includes 3¼" x 10" damper/ adapter (non-ducted filter sold separately).
- Accepts two 75-watt bulbs (not included).



Range Hood Specifications

SIZE	WHITE	BISQUE/ BISCUIT	ALMOND	BLACK	STAINLESS STEEL	WHITE MONOCHROMATIC	Optional Accessory NON-DUCTED FILTER
30"	883001	883002	883008	883023	883004	883011	97007662
36"	883601	—	883608	883623	883604	—	88F
39"	883901*	—	—	—	883904*	—	
42"	884201	—	—	884223	884204	—	
48"	884801*	—	—	884823	884804	—	

*Special order models, allow three weeks for order.

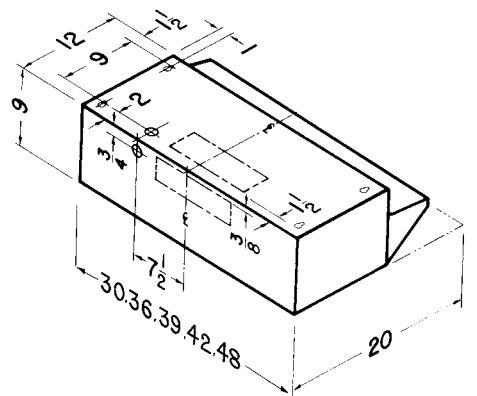
VOLTS	AMPS	SONES VER. HOR.		CFM VER. HOR.		DUCT
120	4.5	5.5	6.0	360	350	3¼" x 10"



Broan 89000 Series

Contemporary lines for a one-of-a-kind kitchen. Clean lines complement the contemporary kitchen or boldly contrast the flowing styles of more traditional settings.

- Higher capacity; developed specifically for use with today's cooktop grills up to 14,000 BTUs.
- 460 CFM, 6.0 sones (vertical discharge) or 440 CFM, 7.0 sones (horizontal discharge) performance, HVI Certified.
- Infinite speed slide control with blower memory feature that saves last settings.
- Standard Heat Sentry™ detects excessive heat and adjusts blower speed to high automatically.
- Designed for either vertical or horizontal ducting. Includes 3¼" x 10" damper/adapter.
- Accepts two 75-watt bulbs (not included).



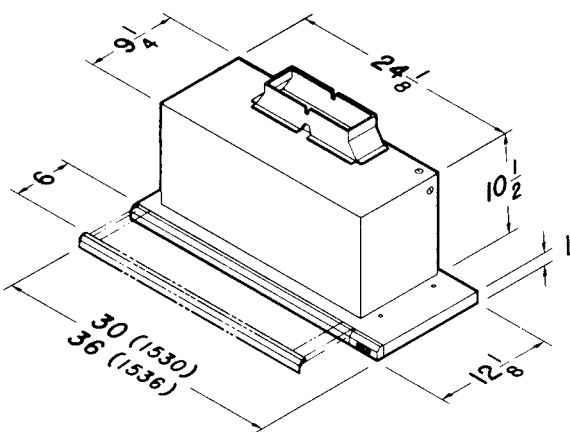
Range Hood Specifications—Special Order Only

WIDTH	WHITE	BLACK	STAINLESS STEEL	WHITE MONOCHROMATIC
30"	893001	893023	893004	893011
36"	893601	893623	893604	—
39"	893901	—	893904	—
42"	894201	894223	894204	—
48"	894801	—	894804	—

Special order. Allow 3 weeks for delivery.

VOLTS	AMPS	SONES VER. HOR.		CFM VER. HOR.		DUCT
120	6.0	6.0	7.0	460	440	3¼" x 10"





Allow 18" minimum from cooking surface to bottom of hood.

Broan Elite 15000

Slides out of sight when not in use.

- Compact, trim styling complements any kitchen.
- Fan and light automatically turn on when you slide out the clear glass visor; shut off when pushed in.
- Energy-efficient, 24" fluorescent light with prismatic glass lens provides bright, even cooktop lighting (bulb not included).
- Dual centrifugal blower, 300 CFM, at a quiet 4.5 sones, HVI Certified.
- Infinitely adjustable blower control conveniently located up front; features blower memory—when activated, unit automatically “remembers” the last setting you selected.
- Exclusive Heat Sentry™ detects excessive heat and adjusts blower speed to high automatically.
- Includes 3¼" x 10" duct adapter with built-in damper.

Range Hood Specifications

WIDTH	WHITE BISQUE/BISCUIT	BLACK	STAINLESS*
30"	153001	153023	153004
36"	153601	153602*	153604

*Brushed aluminum material.

*Available while supplies last.

VOLTS	AMPS	SONES	CFM	DUCT	BULB**
120	3.7	4.5	300	3¼" x 10" (vert.)	F20T12

**Bulb not included.



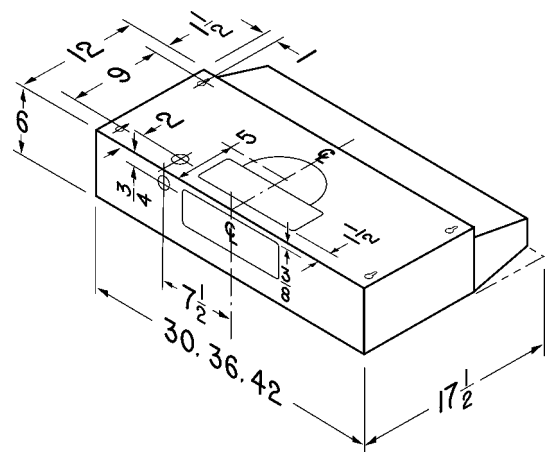


Broan QT20000

Combines modern styling and quiet operation. Research shows that most people use their range hood less frequently because of loud fan noise. That's why the QT hood was developed.

- Patented air chamber design reduces noise up to 40 percent over conventional hoods; 200 CFM, 4.5 sones (vertical discharge), HVI Certified.
- Convertible versatility. Installs as 3¼" x 10" (vertical or horizontal), 7" round (vertical) or non-ducted (non-ducted filter sold separately).
- Infinitely adjustable, rotary speed control.
- Larger filter area captures steam and odors.
- Dual 40-watt lamps increase light distribution; nightlight feature adds safety (lamps not included).
- Includes 3¼" x 10" damper/adaptor and 7" round adapter.
- 7" round damper optional.
- BP87 damper sold separately.

VOLTS	AMPS	SONES	VER. CFM	DUCT
120	1.7	4.5	200	3¼" x 10" OR 7" RD



Range Hood Specifications

WIDTH	WHITE MONOCHROMATIC	BISQUE/BISCUIT MONOCHROMATIC	ALMOND MONOCHROMATIC	BLACK	STAINLESS STEEL	NON-DUCTED FILTER	7" ROUND DAMPER
30"	QT230WW	QT230BC	QT230AA	QT230BL	QT230SS	BPQTF	BP87
36"	QT236WW	QT236BC	QT236AA	QT236BL	QT236SS	BPQTF	BP87
42"	QT242WW	QT242BC	QT242AA	QT242BL	QT242SS	BPQTF	BP87

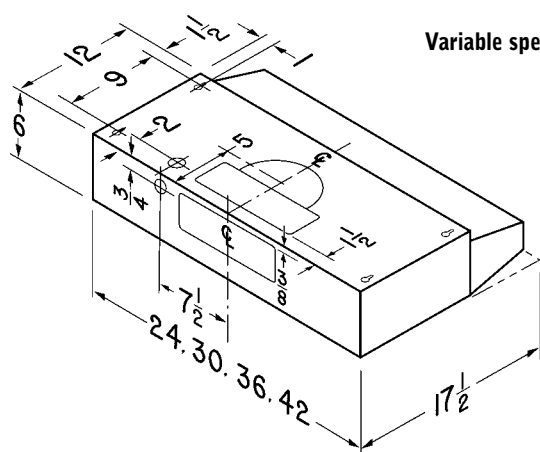
Options & Accessories



Broan 46000

Variable speed performance. Deluxe performance in an economical package. The infinitely adjustable speed control allows you to set the hood speed for the perfect combination of ventilation and quiet.

- 190 CFM, 7.5 sone (3 $\frac{3}{4}$ " x 10") or 220 CFM (7" round), HVI Certified.
- Easily installs as 7" round vertical discharge; 3 $\frac{3}{4}$ " x 10" vertical discharge; 3 $\frac{3}{4}$ " x 10" horizontal discharge or non-ducted (non-ducted filter sold separately).
- Rotary, infinitely adjustable fan-speed control.
- 75-watt cooktop lighting with protective polymeric lens and two-level light control (bulb not included).
- Includes 3 $\frac{3}{4}$ " x 10" damper/adaptor and 7" round adapter.
- 7" round damper optional.
- BP87 damper sold separately.



VOLTS	AMPS	SONES	CFM	DUCT
120	2.5	7.5	190	3 $\frac{3}{4}$ " x 10"
			220	OR 7" RD



Range Hood Specifications

WIDTH	WHITE	BISQUE/ BISCUIT	ALMOND	STAINLESS STEEL	BLACK	WHITE* MONOCHROMATIC	NON-DUCTED FILTER	7" ROUND DAMPER
24"	462401	—	—	462404	462423*	—	41F	BP87
30"	463001	463002	463008	463004	463023	463011	41F	BP87
36"	463601	463602	463608	463604	463623	—	41F	BP87
42"	464201	464202	464208	464204	—	—	41F	BP87

Optional Accessories

* Special Order: Allow three weeks for delivery.



Broan 43000/F40000

Adapt to any installation. These 4-way convertible range hoods will fit into most all applications. Enclosed light and fan/filter assemblies make for easy cleaning.

43000 Series

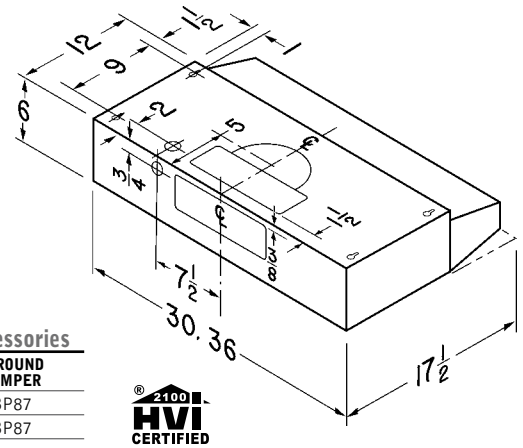
- Features enclosed light and fan/filter assembly for easy clean-up.
- Two-speed, rocker-type fan control.
- Powerful 190 CFM, 7.0 sone (3¼" x 10" vertical discharge) or 220 CFM, 8.0 sone (7" round discharge) performance.
- Bright 75-watt light (bulb not included).
- Includes 3¼" x 10" damper/adaptor and built-in 7" round adapter.
- 7" round damper optional.
- BP87 dampers sold separately.

43000 Specifications

VOLTS	AMPS	SONES	VER. CFM	DUCT
120	1.8	7	190	3¼" x 10"
		8	220	or 7" RD

Options & Accessories

WIDTH	WHITE MONOCHROMATIC	BISQUE/BISCUIT MONOCHROMATIC	ALMOND MONOCHROMATIC	STAINLESS STEEL	BLACK	CHARCOAL FILTER	7" ROUND DAMPER
30"	433011	433022	433018	433004	433023	BP58	BP87
36"	433611	433622	433618	433604	433623	BP58	BP87

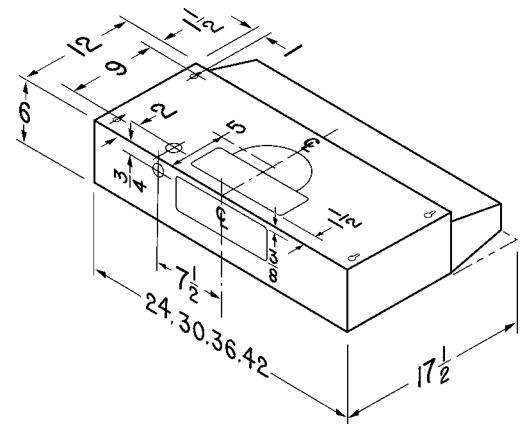


F40000 Series Convertible Range Hoods

- Four-way convertible; installs ducted 3¼" x 10" (vertical and horizontal), 7" round (vertical) and non-ducted (non-ducted filter sold separately).
- 160 CFM, 6.5 sone (3¼" x 10" discharge) or 190 CFM (7" round discharge) performance – HVI Certified.
- Dishwasher-safe aluminum grease filter.
- Includes 3¼" x 10" damper/adaptor and 7" round adapter.
- 7" round damper optional.
- BP87 dampers sold separately.

F40000 Specifications

VOLTS	AMPS	SONES	CFM	DUCT
120	2.5	6.5	160	3¼" x 10"
		6.5	190	or 7" RD



4-Way Convertible

Options & Accessories

WIDTH	WHITE	BISQUE/BISCUIT	ALMOND	STAINLESS STEEL	BLACK	WHITE MONOCHROMATIC	BISQUE/BISCUIT MONOCHROMATIC	NON-DUCTED FILTER	7" ROUND DAMPER
24"	F402401	F402402	F402408	F402404	F402423	F402411	F402422	41F	BP87
30"	F403001	F403002	F403008	F403004	F403023	F403011	F403022	41F	BP87
36"	F403601	F403602	F403608	F403604	F403623	F403611	F403622	41F	BP87
42"	F404201	F404202	F404208	F404204	F404223	F404211	F404222	41F	BP87

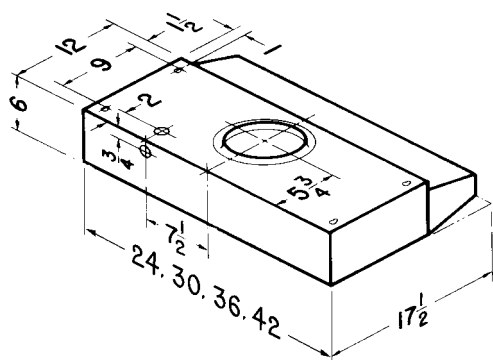


Broan 42000/40000/37000

Made to exacting standards. Broan range hoods provide the high quality you expect and the value you demand.

42000 Series

- Installs as 7" round ducted only.
- 190 CFM, 6.0 sone (vertical discharge) performance.
- Dishwasher-safe aluminum grease filter.
- Accepts up to 75-watt light (bulb sold separately).
- Built-in 7" adapter included.
- BP87 damper sold separately.



42000 Specifications

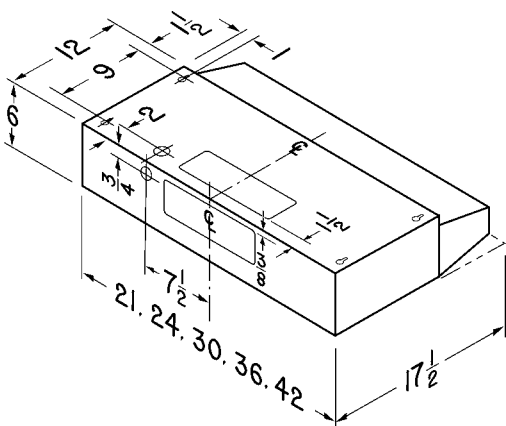
VOLTS	AMPS	SONES	CFM	DUCT
120	2.5	6	190	7" RD

42000 Series 7" Round Ducted

WIDTH						Optional Accessory
	WHITE MONOCHROMATIC	BISQUE/BISCUIT	ALMOND	STAINLESS STEEL	BLACK	7" ROUND DAMPER
24"	422401	422402	422408	422404	—	BP87
30"	423001	423002	423008	423004	423023	BP87
36"	423601	423602	423608	423604	423623	BP87
42"	424201	424202	424208	424204	—	BP87

40000 Series

- Installs as 3 1/4" x 10" ducted only.
- 160 CFM, 6.5 sone (vertical or horizontal discharge) performance.
- Dishwasher-safe aluminum grease filter.
- Accepts up to 75-watt light (bulb sold separately).
- Duct connector with built-in damper included.



40000 Specifications

VOLTS	AMPS	SONES	CFM	DUCT
120	2.0	6.5	160	3 1/4" x 10"

40000 Series 3 1/4" x 10" Ducted

WIDTH					
	WHITE MONOCHROMATIC	BISQUE/BISCUIT	ALMOND	STAINLESS STEEL	BLACK
21"	402101	402102	402108	—	—
24"	402401	402402	402408	402404	—
30"	403001	403002	403008	403004	403023
36"	403601	403602	403608	403604	403623
42"	404201	404202	404208	—	—

37000 Series 6" Shell Only (Utilizes 40000 Series shell, but contains no fan, light or switch knock-outs)

WIDTH				
	WHITE	BISQUE/BISCUIT	ALMOND	STAINLESS STEEL
24"	372401	—	372408	—
30"	373001	373002	373008	373004
36"	373601	—	—	373604

Note: The 37000 Series has no fan, light, switches, or knock-outs for electrical or ducting.



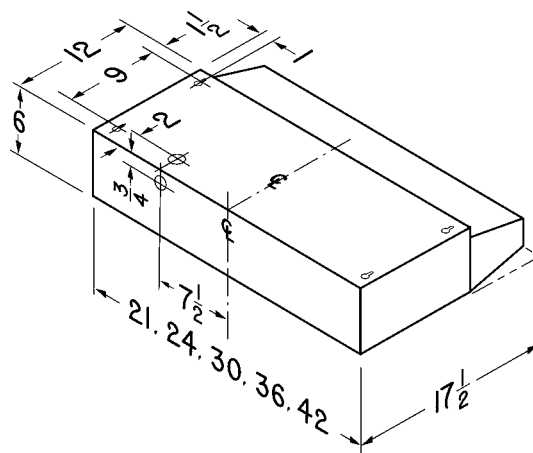
Model 413001

Broan 41000 (Non-Ducted Only)

Made to exacting standards. Broan range hoods provide the high quality you expect and the value you demand.

- Installs as non-ducted only with charcoal filter.
- Accepts up to 75-watt light (bulb sold separately).

Range Hood Specifications (Non-Ducted Only)						Accessory
WIDTH	WHITE MONOCHROMATIC	BISQUE/BISCUIT	ALMOND	STAINLESS STEEL	BLACK	CHARCOAL FILTER
21"	412101	412102	412108	—	—	41F
24"	412401	412402	412408	412404	—	41F
30"	413001	413002	413008	413004	413023	41F
36"	413601	413602	413608	413604	413623	41F
42"	414201	414202	414208	414204	—	41F



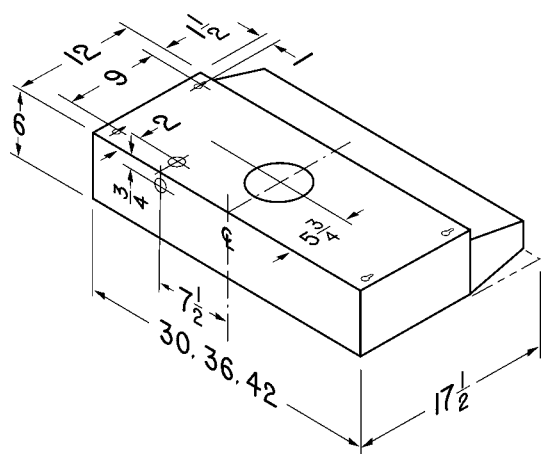
VOLTS	AMPS	SONES	CFM	DUCT
120	2.0	N/A	N/A	Non-Ducted



Model 523001

Broan 52000

Economy Series. Designed to meet the needs of manufactured housing.



- Installs as 5" round (vertical) ducted only.
- Two-speed fan control.
- Accepts up to 75-watt bulb (bulb not included).
- Requires P85 damper/adaptor (purchased separately).
- Washable aluminum filter.
- Mitered sides and hemmed bottom for safety and good looks.
- 5" round damper optional.



Range Hood Specifications

WIDTH	WHITE MONOCHROMATIC	BISQUE/BISCUIT	ALMOND	Accessory DAMPER/ADAPTER
30"	523001	523002	523008	P85
36"	523601	—	—	P85
42"	524201	—	—	P85

VOLTS	AMPS	SONES	CFM	DUCT
120	2	8.0	100	5" RD

Broan Accessories



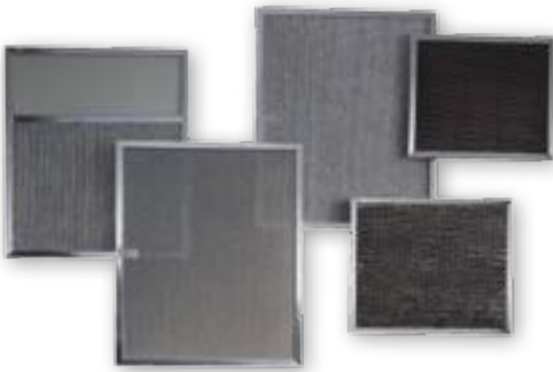
Broan Backsplashes

Help keep your kitchen looking like new with a metal backsplash.

- Provides easy clean-up of cooking splatter.
- Durable finish.
- Attractive, appliance-matching colors:
Reversible White/Almond, Reversible Bisque (Biscuit)/Black.
- Aluminum or 24-gauge stainless steel.
- Available in 24", 30", 36" or 42" widths; all are 24" high.
- Installs easily with four screws.

Backsplash Options

	REVERSIBLE WHITE/ALMOND	STAINLESS STEEL	REVERSIBLE BISQUE (BISCUIT)/BLACK
24"	SP240108	SP2404	SP240223
30"	SP300108	SP3004	SP300223
36"	SP360108	SP3604	SP360223
42"	SP420108	SP4204	SP420223













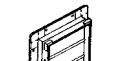








Retail Replacement Filter Packs



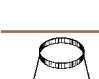
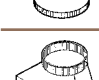



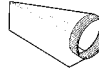
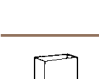
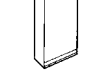

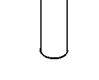


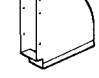




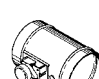



The most popular and commonly used filters are available in consumer-friendly packs. Broan filters are made from the highest quality materials to provide the longest life possible and keep your range hood operating at peak performance. Broan also provides replacement filters for many other brands.

MODEL	DESCRIPTION	TYPE	FITS SERIES
BPPF30	Non-ducted Filter Set (qty 2) for 30" EVOLUTION™	Clean Sense™ Charcoal w/ Indicator	QP1, QP2, QP3
BPPF36	Non-ducted Filter Set (qty 2) for 36" EVOLUTION™	Clean Sense™ Charcoal w/ Indicator	QP1, QP2, QP3
BPPF42	Non-ducted Filter Set (qty 2) for 42" EVOLUTION™	Clean Sense™ Charcoal w/ Indicator	QP1, QP2, QP3
BPPFA30	Ducted Filter Set (qty 2) for 30" EVOLUTION™ 1	Aluminum	QP1
BPPFA36	Ducted Filter Set (qty 2) for 36" EVOLUTION™ 1	Aluminum	QP1
BPPFA42	Ducted Filter Set (qty 2) for 42" EVOLUTION™ 1	Aluminum	QP1
BPP2FA30	Ducted Filter Set (qty 2) for 30" EVOLUTION™ 2	Aluminum	QP2
BPP2FA36	Ducted Filter Set (qty 2) for 36" EVOLUTION™ 2	Aluminum	QP2
BPP2FA42	Ducted Filter Set (qty 2) for 42" EVOLUTION™ 2	Aluminum	QP2
BPP3FA30	Ducted Filter Set (qty 2) for 30" EVOLUTION™ 3, 4	Aluminum	QP3, QP4
BPP3FA36	Ducted Filter Set (qty 2) for 36" EVOLUTION™ 3, 4	Aluminum	QP3, QP4
BPP3FA42	Ducted Filter Set (qty 2) for 42" EVOLUTION™ 3, 4	Aluminum	QP3, QP4
BPSF30	Non-Ducted Filter Set (qty 2) for 30" Allure	Clean Sense™ Charcoal w/ Indicator	QS1, QS2, QS3
BPSF36	Non-Ducted Filter Set (qty 2) for 36" Allure	Clean Sense™ Charcoal w/ Indicator	QS1, QS2, QS3
BPSF42	Non-Ducted Filter Set (qty 2) for 42" Allure	Clean Sense™ Charcoal w/ Indicator	QS1, QS2, QS3
BPS1FA30	Ducted Filter Set (qty 2) for 30" Allure I	Aluminum	QS1
BPS1FA36	Ducted Filter Set (qty 2) for 36" Allure I	Aluminum	QS1
BPS2FA30	Ducted Filter Set (qty 2) for 30" Allure II	Aluminum	QS2
BPS2FA36	Ducted Filter Set (qty 2) for 36" Allure II	Aluminum	QS2
BPS3FA30	Ducted Filter Set (qty 2) for 30" Allure III	Aluminum	QS3
BPS3FA36	Ducted Filter Set (qty 2) for 36" Allure III	Aluminum	QS3
BPQTF	Non-Ducted Filter	Charcoal	QT20000
BPQTAf	Ducted Filter	Aluminum	QT20000
88F	Non-Ducted Filter	Charcoal	88000
76F	Non-Ducted Filter	Charcoal	76000, 75000
41F	Non-Ducted Filter	Charcoal	11000, 41000, F40000, 46000
BP29	Ducted Filter	Aluminum	11000, 40000, F40000, 42000, 46000, 52000
BP58	Non-Ducted Replacement Pack (qty 3)	Charcoal pad	43000
BP57	Ducted Filter with Charcoal Pad	Aluminum with Light Lens	43000
RBFIP33	Baffle Filter Kit for RMIP33	Stainless Steel	RMIP33
RBFIP45	Baffle Filter Kit for RMIP45	Stainless Steel	RMIP45
FILTERE56	Non-ducted Filter	Charcoal	E159, EW58, EW56
FILTEREB40	Non-Ducted Filter, Broan Elite	Charcoal	RM50000, RMP17004
FILTERESQUARE	Non-Ducted Filter, Broan Elite	Charcoal	RM51000, RM52000, E55000, E54000, RM53000
ROUNDFILTER	Non-Ducted Filter, Broan Elite	Charcoal	61000, E60000, E64000

Ducting Installation Accessories

Stock No.	
 35	Wall Hanging Kit—for mounting hoods to wall when not hung from overhead cabinets. Designed for use with 88,000 46,000 42,000 41,000 40,000 series.
 332KR	Rough-In Kit, 10" round duct.
 634	Paintable roof cap with backdraft damper and bird screen; 3¼" x 10" or up to 8" round duct. Black finish.
 644	Aluminum roof cap with backdraft damper and bird screen; 3¼" x 10" or up to 8" round duct. Natural finish.
 437	High-capacity roof cap—up to 1200 CFM exhaust.
 612	Aluminum roof cap for flat roofs, 10" round duct.
 639	Paintable wall cap with backdraft damper and bird screen; 3¼" x 10" duct. Black finish.
 WC638	Paintable wall cap with backdraft damper and bird screen; 3¼" x 14" duct. Black finish.
 649	Aluminum wall cap with backdraft damper and bird screen; 3¼" x 10" duct. Natural finish.
 641	Aluminum wall cap for 6" round duct, with backdraft damper and bird screen.
 647	Aluminum wall cap for 7" round duct, with damper and bird screen.
 643	Aluminum wall cap; 8" round duct with damper.
 441	Wall cap with gravity damper; 13⅞" sq. fits 10" round duct.
 457K	Horizontal twin duet kit, for direct horizontal discharge of RM326H Internal blower.
 P85	5" vertical discharge damper.
 BP87	7" vertical discharge damper.
 97	7" spring-loaded, In-Line damper.
 438	8" round section with In-Line damper.
 421	10" vertical discharge In-Line damper.

HCK44 (10-pack) Electric cord connections kit
SHCK44 (Single-pack) Electric cord connections kit

Stock No.	
 411	3¼" x 10" to 6" round transition.
 412H	3¼" x 10" to 7" round transition.
 T460	3¼" x 14" to 7" round transition.
 413	3¼" x 10" to 8" round transition.
 459	3¼" x 14" to 8" round transition.
 T462	3¼" x 14" to 6" round transition.
 T461	3¼" x 14" to 3¼" x 10" transition.
 414	8" to 10" expander.
 423	Vertical transition; 4½" x 18½" to 10" round.
 424	Rear transition; 4½" x 18½" to 10" round.
 427	Thin wall horizontal transition; 4½" x 18½" to 10" round.
 453	Horizontal left transition; 4½" x 18½" to 10" round (right-end boot).
 454	Horizontal right transition; 4½" x 18½" to 10" round (left-end boot).
 889	3¼" x 10" duct; 2' section.
 406	6" round duct; 2' section.
 407	7" round duct; 2' section.
 410	10" round duct; 2' section.
 428	3¼" x 10" vertical elbow.
 429	3¼" x 10" horizontal elbow.
 430	Short eave elbow for 3¼" x 10" duct with backdraft damper and grill.
 431	Long eave elbow for 3¼" x 10" duct with backdraft damper and grill.
 419	6" adjustable elbow (individual).
 415	7" adjustable elbow (carton of four).
418	10" adjustable elbow (individual).
MD6T	6" Broan Make-Up Air Damper
MD8T	8" Broan Make-Up Air Damper

External, Exterior Blowers*

Our Exterior blowers offer you powerful ventilation performance at its very quietest, and something you won't find anywhere else—Broan quality.

- Reduce kitchen noise by locating your range hood blower outdoors.
- For use with our professional style Broan Elite E64000, E60000 and EX Series chimney hoods, downdrafts, RMPE Power Pack and RMIP Inserts.
- Ideal for custom hoods—use the 72W (6 amp variable speed) wall control for remote control of External blowers.
- The 332H is recommended for the Eclipse downdraft.
- Residential design fits unobtrusively on home exterior.
- Durable, weather-resistant, all-aluminum construction that mounts on the roof or outside wall.
- Safety screen keeps small animals and debris away from blower and motor.

Model 331H/332H

All Exterior blowers can be installed on the roof or to an outside wall for the ultimate in quiet, high performance kitchen ventilation.

Quietest sound level is achieved when the blower is mounted at least 10' from the hood location and incorporates a 90° elbow in the duct run.



331H (600 CFM)



335 (1200 CFM)



332H (900 CFM)



336 (1500 CFM)

External, In-Line Blowers* This quiet performance solution is a perfect alternative to Internal or Exterior blowers. Works with all Broan range hoods designed for use with External blowers.



HLB3 (280 CFM)
HLB6 (600 CFM)
HLB9 (800 CFM)
HLB11 (1100 CFM)



- Powerful and quiet, In-Line blowers are available in a range of CFM ratings to match your cooking preferences and ventilation requirements.
- Installs remotely in the interior of the home – not restricted by local exterior home codes or service concerns for roof-mounted exterior applications.
- 8-position mounting brackets, or suspends with special suspension chains (hanger kit included).
- Designed to work independently from Internal or Exterior blowers, this is not a boost blower—the HLB series needs no other blowers in the system.
- Specially designed resilient motor mounts and housing isolation mounts prevent vibration noise.
- Flexible duct design allows straight-through or right-angle connections with built-in damper.
- Includes 10" round ductwork transition(s).

Internal Blower*

Broan Elite Internal blowers provide high ventilation and durable construction to meet the needs of professional-style cooking appliances for the home.

P5 (460 CFM)
P8 (850 CFM)



- The P5 and P8 are designed for use with Broan Elite RMIP Inserts
- All blowers are designed for quiet operation using the finest motors and balance wheels.
- Rough-In Kits are included to make the installation clean and simple.

*Broan internal and external blowers are designed and UL Certified for use with Broan products only. Use with other manufacturers' products cannot be recommended.

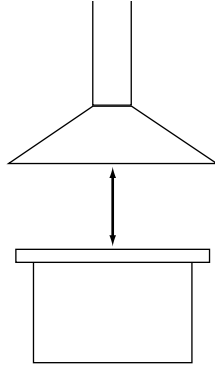
BROAN *Elite* Installation and blower selection guidelines

1. Distance from cooking surface:

For optimal performance, the distance from the cooking surface to the bottom of the range hood should be between 24" to 30", unless otherwise noted. DO NOT install a Broan Elite range hood less than 24" above cooking surface.

To maintain hood performance at heights greater than the recommended range, use the following guidelines:

- For every 3" increase in installation height, add 100 CFM to the minimum exhaust requirement and/or a minimum of 3" to the hood/liner width (may require going to the next hood width).



2. Range hood width:

The hood should never be less than the width of the cooktop.

3. Required blower CFM based on cooktop BTU output.

- For gas cooktops UNDER 60,000 BTUs or electric, choose a blower with a minimum of 100 CFM per lineal foot of your cooktop width. For example, a 36" wide cooktop requires a blower with a minimum of 300 CFM.
- High heat cooking or aromatic foods may require additional CFM. Always check with the range manufacturer. NOTE: Increasing capture area by 3" on each side is also a recommended way to address this issue.

- As a means to estimate the approximate CFM requirement for gas cooktops OVER 60,000 BTUs, choose a blower with 1 CFM per 100 BTU of cooktop output. To quickly calculate this number, add the BTU output from all burners and drop the last two zeros. For example, if the total BTU output of the cooktop burners is 65,000 BTUs, choose a blower with at least 650 CFM.

4. Additional CFM needs for a Grill or Griddle:

If your cooktop has a grill or griddle, ADD 200 CFM to your estimated CFM needs as calculated in step 3. For example, if your cooktop BTU output requires a 650 CFM blower, add 200 CFM for a total of 850 CFM.

Installation Example:

A consumer purchases a cooktop with these specifications:

- Four burner, 36" cooktop
- Burner output is 60,000 BTU
- The cooktop features a grill.
- Installation requirements call for the range hood to be 33" over the range (3" above recommended maximum height)

Blower CFM Option 1: (Using the guidelines above)

The blower must equal a minimum of 600 CFM (60000 BTU) + 200 CFM (for Grill requirement) + 100 CFM (for 3" of installation height) = 900 CFM

Blower CFM Option 2: (Using the guidelines above)

Select a range hood that is a minimum of 3" WIDER than the cooktop, a minimum 600 CFM (60000 BTU) + 200 CFM (for Grill requirement) = 800 CFM

Internal, In-Line and Exterior blower specifications table

MODEL	MOUNTING	CFM	HVI	VOLTS	AMPS	ROUGH-IN DUCT	INLET/OUTLET	DIRECTION	MOTOR TYPE
P5	Internal	460V/500H	Y	120	1.8	3¼" x 10"	—	V or H	—
P8	Internal	850V/900H	Y	120	3.4	3¼" x 14"	—	V or H	—
331H**	Exterior	600	Y	120	2.3	10" Round	—	—	Single-Speed
332H**	Exterior	900	Y	120	5.8	10" Round	—	—	Single-Speed
335**	Exterior	1200	Y	120	3.0	10" Round	—	—	Single-Speed
336**	Exterior	1500	Y	120	3.8	10" Round	—	—	Single-Speed
HLB3**^	In-Line	280/260*	Y	120	2.6	—	8" or 10"/8" Round	V or H	Single-Speed
HLB6**	In-Line	600/600*	Y	120	2.9	—	10"/10" Round	V or H	Single-Speed
HLB9**	In-Line	800/700*	Y	120	3.0	—	10"/10" Round	V or H	Single-Speed
HLB11**	In-Line	1100/1000*	Y	120	5.0	—	10"/10" Round	V or H	Single-Speed

** Model 332KR Rough-In Kit required for installation with hood series E60000, E64000, RM60000 and RM1P (Model 421 10" In-Line damper recommended for Exterior blowers).

* Straight CFM/Right angled CFM (rated with transitions provided).

† Transitions provided with unit.

^ Not recommended for use with grill applications.



Broan Automatic Make-Up Air Dampers work with range hoods to allow the most efficient and effective home ventilation.

Broan Make-Up Air Dampers feature:

- Heavy duty galvanized steel construction.
- 24 VAC transformer.
- 6-inch round (MD6T), 8-inch round (MD8T).
- Use with hood models E60, E64, EW58, EW56, EI59, QP3, and QP4.

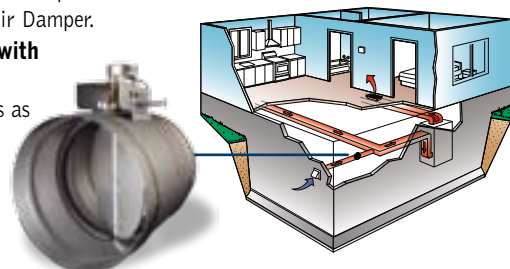
Installation of Broan Make-Up Air Dampers

- Located in a 6-inch or 8-inch duct running between an exterior wall fresh air inlet (641FA or 643FA) to an interior location.

- Low-voltage wiring transmits open/close signal to the Make-Up Air Damper.

Synchronized Operation with Range Hood

- Damper opens and closes as the range hood is turned on and off.
- Prevents unwanted air infiltration and wasted energy.



	SERIES	CAT. PAGE	DESCRIPTION	FINISHES (may not be in all widths)	LIGHTING	CONTROL FEATURES	CONTROL TYPE	AIR-MOVER TYPE	WIDTH (inches)	MOUNT TYPE
UNDER CABINET HOODS	15000	37	Slide Out Hood	WW, BL, SS	24" Fluorescent	Variable speed Heat Sentry™	Slide	Dual Centrifugal Blower	30, 36	Under Cabinet
	37000	41	Range Hood Shell	WW, BT, AL, SS	na	na	na	na	24, 30, 36	Under Cabinet
	52000	43	Mfg. Hsg. Range Hood	WW, BT, AL	Single 75W	2 speed	Rocker	Fan	30	Under Cabinet
	40000	41	Range Hood	WW, BT, AL, SS, BL	Single 75W	2 speed	Rocker	Fan	21, 24, 30, 36, 42	Under Cabinet
	F40000	40	Range Hood	WH, BT, AL, SS, BL, WW, BC	Single 75W	2 speed	Rocker	Fan	24, 30, 36, 42	Under Cabinet
	41000	42	Range Hood	WW, BT, AL, SS, BL	Single 75W	2 speed	Rocker	Fan	21, 24, 30, 36, 42	Under Cabinet
	42000	41	Range Hood	WW, BT, AL, SS, BL	Single 75W	2 speed	Rocker	Fan	24, 30, 36, 42	Under Cabinet
	43000	40	Range Hood	WW, BC, AA, SS, BL	Enclosed Single 75W	2 speed	Rocker	Fan	30, 36	Under Cabinet
	46000	39	Range Hood	WH, BT, AL, SS, BL, WW	Single 75W	Variable speed Hi/Low light	Rotary	Fan	24, 30, 36, 42	Under Cabinet
	QT20000	38	Range Hood	WW, BC, AA, SS, BL	Enclosed Dual 40W	Variable speed Hi/Low light	Rotary	8" Axial Blade	30, 36, 42	Under Cabinet
	88000	36	Range Hood	WH, BT, AL, SS, BL, WW	Enclosed Dual 75W	Variable speed Hi/Low light	Slide	Dual Centrifugal Blower	30, 33, 36, 39, 42, 48	Under Cabinet
	89000	36	Range Hood	WH, AL, SS, BL, WW	Enclosed Dual 75W	Variable speed Hi/Low light	Slide	Dual Centrifugal Blower	30, 33, 36, 39, 42, 48	Under Cabinet
	AP1 RP1	35	Range Hood	SS, BL, WW	Halogen Dual 50W	Variable speed Heat Sentry™ Two-Level Lights	Rotary Rocker	Centrifugal Blower	30, 36	Under Cabinet
	QS1 (Allure I)	32, 33	Range Hood	WW, BC, AA, SS, BL	Halogen Dual 50W	2 speed w/ ON indicator Hi/Low light	Rocker	10" Axial Blade	30, 36, 42	Under Cabinet
	QS2 (Allure II)	32, 33	Range Hood	WW, BC, AA, SS, BL	Halogen Dual 50W	3 speed w/ LED indicator Hi/Med/Low light Heat Sentry™	Electronic Push	Centrifugal Blower	30, 36, 42	Under Cabinet
	QS3 (Allure III)	32, 33	Range Hood	WW, BC, AA, SS, BL	Halogen Dual 50W	3 speed + Boost Delay-off Filter Indicator Hi/Med/Low light Advanced Heat Sentry™	Electronic Push	Centrifugal Blower	30, 36, 42	Under Cabinet
QP1 (Evolution™ 1)	31	Range Hood	WW, SS, BL	Halogen Quad 35W	2 speed + Boost Hi/Low light	Rocker	Centrifugal Blower	30, 36	Under Cabinet	
42" QP1 (Evolution™ 1)	31	Range Hood	WW, SS, BL	Halogen Quad 35W	2 speed + Boost Hi/Low light	Rocker	Centrifugal Blower	42	Under Cabinet	
QP2 (Evolution™ 2)	31	Range Hood	WW, BC, SS, BL	Halogen Quad 50W (Included)	3 speed w/ LED indicator Hi/Med/Low light Advanced Heat Sentry™	Soft Touch Electronic Push	Centrifugal Blower	30, 36, 42	Under Cabinet	
QP3 (Evolution™ 3)	30	Range Hood	WW, SS, BL	Halogen Quad 50W (Included)	3 speed + Boost Delay-off Filter Indicator 4 setting light/clock/Timer Advanced Heat Sentry™	Advanced Electronic Push w/ Digital Display Optional Remote Control	Centrifugal Blower with Makeup Air Damper Interlock	30, 36, 42	Under Cabinet	
HIGH PERFORMANCE HOODS	QP4 (Evolution™ 4)	29	Range Hood	SS	Halogen Quad 50W (Included)	3 speed + Boost Delay-off Filter Indicator 4 setting light/clock/Timer Advanced Heat Sentry™	Advanced Electronic Push w/ Digital Display Optional Remote Control	Centrifugal Blower with Makeup Air Damper Interlock	30, 36, 42	Under Cabinet
	E661	28	Range Hood	SS, WH, BL 42" SS only	Dual 50W	3 speed+boost, Delay-off, Heat Sentry™	Electronic Push	High flow wheel	30, 36, 42	Under Cabinet
	E662/E662E	28	Range Hood	SS, WH, BL 42" SS only	Halogen Dual 50W	3 speed+boost, Selectable Delay-off, Heat Sentry™	I-Control™ Touch Sensitive	Centrifugal Blower	30, 36, 42	Under Cabinet
	E60000	26, 27	Professional Style Hood Choice of Internal & External Blowers	SS	Halogen 50W Lamps 2/3	Variable speed Heat Sentry™ Power-on LED Indicator Hi/Lo Light	Rotary	Centrifugal Blower	30, 36, 42, 48,	Wall
E64000	24	Professional Style Hood Choice of Internal & External Blowers	SS	Halogen 50W Lamps 2/3	Variable speed Heat Sentry™ Power-on LED Indicator Hi/Lo Light	Rotary	Centrifugal Blower	30, 36, 42, 48	Under Cabinet	
ENERGY STAR	Energy Star APE	22, 23	Range Hood	SS	Single compact 42W fluorescent with 4W incandescent (both included)	Variable speed Heat Sentry™ Two-Level Lights	Rotary Rocker	Centrifugal Blower	30	Under Cabinet
	Energy Star QDE	22, 23	Range Hood	SS, BL, WW	Dual compact 13W fluorescent bulbs (included)	2 speed	Rocker	Centrifugal Blower	30	Under Cabinet
	Energy Star QSE	22, 23	Range Hood	SS, BL, WW	Single compact 42W fluorescent with 4W incandescent (both included)	2 speed w/ ON indicator Hi/Low light	Rocker	10" Axial Blade	30	Under Cabinet
	Energy Star PME300	21	Power Module	Silver	Dual compact 13W fluorescent bulbs (included)	3 speed	Slide	Centrifugal Blower	20-½	Built-In
	Energy Star RME50000	21	Chimney Hood	SS	Dual compact 13W fluorescent bulbs (included)	Multi-speed Heat Sentry™	Slide	Centrifugal Blower	30	Wall

* Mounting Height is measured from the top of the cooktop to the bottom of the Hood. **Except for QS and QP Series which is measured from the top of the hood to the top of the cooktop.**

** Visible height of Chimney when in the raised position.

*** Minimum Height is 24" when using optional RMP series backsplash.

† SS=430 Stainless Steel, BL=Black on Black, AL=Almond w/Black Trim, AA=Almond on Almond, BT=Bisque/Biscuit w/Black Trim, BC=Bisque/Biscuit on Bisque/Biscuit, WW=White on White, WH=White w/Black Trim.

†† (Normal Setting).

Note: "Bisque/Biscuit" is a new color name for "Biscuit." The actual color remains unchanged.

Indicates available while supplies last.

	SERIES	MOUNTING HEIGHT*	VISIBLE SHELL HEIGHT (inches)	CEILING HEIGHT MAX	BULB INCLUDED	DUCT	FILTERS INCLUDED	CFM/SONES VERT. RECT.	CFM/SONES HORIZ. RECT.	CFM/SONES VERT. ROUND	HVI CERTIFIED
UNDER CABINET HOODS	15000	18"-24"	1	na	no	3-3/4" x 10" (V)	MicroFoam	300/4.5	—	—	Y
	37000	18"-24"	6	na	na	Shell only	na	—	—	—	—
	52000	18"-24"	6	na	no	5" round (V)	Aluminum	—	—	100/8.0	Y
	40000	18"-24"	6	na	no	3-3/4" x 10" (V, H)	Aluminum	160/6.5	160/6.5	—	Y
	F40000	18"-24"	6	na	no	3-3/4" x 10" (V, H) 7" round (V) Non-ducted	Aluminum	160/6.5	160/6.5	190/6.5	Y
	41000	18"-24"	6	na	no	Non-ducted	Charcoal	—	—	—	—
	42000	18"-24"	6	na	no	7" round (V)	Aluminum	—	—	190/6.0	Y
	43000	18"-24"	6	na	no	3-3/4" x 10" (V, H) 7" round (V) Non-ducted	Aluminum w/ Light Lens	190/7.0	160/7.0	220/8.0	Y
	46000	18"-24"	6	na	no	3-3/4" x 10" (V, H) 7" round (V) Non-ducted	Aluminum	190/7.5	190/7.5	220/7.5	Y
	QT20000	18"-24"	6	na	no	3-3/4" x 10" (V, H) 7" round (V) Non-ducted	Aluminum	200/4.5	170/4.5	220/4.5	Y
	88000	18"-24"	9	na	no	3-3/4" x 10" (V, H) Non-ducted	Aluminum	360/5.5	350/6.0	—	Y
	89000	18"-24"	9	na	no	3-3/4" x 10" (V, H)	Aluminum	460/6.0	440/7.0	—	Y
	AP1 RP1	18"-24"	9	na	no	3-3/4" x 10" (V, H)	MicroMesh with Antimicrobial Protection MicroMesh Standard Aluminum	440/7.0 (120/0.5)	440/7.0 (120/0.5)	—	Y
	QS1 (Allure I)	24"-30" see note*	7-3/4"	na	no	3-3/4" x 10" (V, H) 7" round (V) Non-ducted	Aluminum	210/5.0 (110/1.5)**	220/5.0 (110/1.5)**	230/5.0 (120/1.5)**	Y
	QS2 (Allure II)	24"-30" see note*	7-3/4"	na	no	3-3/4" x 10" (V, H) 7" round (V) Non-ducted	MicroMesh Aluminum	280/5.5 (110/1.0)**	300/4.5 (100/0.9)**	280/5.0 (110/0.8)**	Y
	QS3 (Allure III)	24"-30" see note*	7-3/4"	na	no	3-3/4" x 10" (V, H) 7" round (V) Non-ducted	Professional Aluminum	280/5.5 (110/0.3)** Boost 380	300/4.5 (100/0.4)** Boost 430	270/5.5 (100/0.4)** Boost 350	Y
QP1 (Evolution™ 1)	24"-30" see note*	6-3/4"	na	no	3-3/4" x 10" (V, H) 7" round (V) Non-ducted	Mid-mesh Aluminum with Antimicrobial Protection	290/5.0 (120/0.8)	300/5.0 (120/0.8)	250/5.0 (120/0.8)	Y	
42" QP1 (Evolution™ 1)	24"-30" see note*	7-3/4"	na	no	3-3/4" x 10" (V, H) 7" round (V) Non-ducted	Mid-mesh Aluminum with Antimicrobial Protection	280/5.0 (100/0.8)	300/5.0 (100/0.8)	260/5.5 (90/0.8)	Y	
QP2 (Evolution™ 2)	24"-30" see note*	7-3/4"	na	yes	3-3/4" x 10" (V, H) 7" round (V) Non-ducted	Aluminum MicroMesh with Antimicrobial Protection	High 310/6.0 Med. 220/2.5 Low 100/0.6	High 350/5.0 Med. 240/2.5 Low 100/0.6	High 280/6.0 Med. 200/2.5 Low 100/0.6	Y	
QP3 (Evolution™ 3)	24"-30" see note*	7-3/4"	na	yes	3-3/4" x 10" (V, H) 7" round (V) Non-ducted	Aluminum Premium Mesh with Antimicrobial Protection	Boost 390/7.5 High 320/5.5 Med. 210/2.0 Low 100/<0.3	Boost 450/7.0 High 360/4.5 Med. 230/1.5 Low 100/<0.3	Boost 340/7.0 High 300/5.5 Med. 200/2.0 Low 100/<0.3	Y	
QP4 (Evolution™ 4)	24"-30" see note*	7-3/4"	na	yes	3-3/4" x 14" (V, H) 7" round (V)	Premium Mesh with Antimicrobial Protection	Boost 570/7.0 High 430/4.5 Med. 280/1.5 Low 160/<0.3	Boost 630/7.5 High 470/4.5 Med. 290/1.5 Low 150/<0.3	Boost 460/7.0 High 360/4.5 Med. 230/1.5 Low 130/<0.3	Y	
HIGH PERFORMANCE HOODS	E661	24"-30"	5-3/8"	na	no	3-3/4" x 14" (V, H)	MicroMesh Aluminum	120/0.4 290/2.5 550/8.5	130/<0.3 310/2.5 600/8.5	—	Y
	E662/E662E	24"-30"	5-3/8"	na	no	10" round (V)	MicroMesh Aluminum	180/0.3 460/5.0 750/9.0	160/0.8 480/4.0 890/9.0	For E662E See Exterior or In-Line Blowers 280 to 1500	Y
	E60000	24"-30"	18	8'	no	Internal 3-3/2" x 10" (V, H) or 4-1/2" x 18-1/2" (V, H) External 10" round (V, H)	SS Baffle	Internal Blowers 600 or 1200. Exterior or In-Line Blowers 280 to 1500	Internal Blowers 600 or 1200. Exterior or In-Line Blowers 280 to 1500	—	Y
	E64000	20"-30" electric*** 24"-30" gas	10	na	no	Internal 3-3/2" x 10" (V, H) or 4-1/2" x 18-1/2" (V, H) External 10" round (V, H)	SS Baffle	Internal Blowers 600 or 1200. Exterior or In-Line Blowers 280 to 1500	Internal Blowers 600 or 1200. Exterior or In-Line Blowers 280 to 1500	—	Y
ENERGY STAR	APE	18"-24"	9	na	yes	3-3/4" x 10" (V, H)	MicroMesh with Antimicrobial Protection MicroMesh Standard Aluminum	440/7.0 (200/0.7)	440/7.0 (200/0.9)	—	Y
	Energy Star QDE	18"-24"	4-3/8"	na	yes	3-3/4" x 10" (V, H)	Dishwasher-safe Aluminum	250/6.0 (120/1.1)	290/5.5 (130/0.8)	—	Y
	QSE	24"-30" see note*	7-3/4"	na	yes	3-3/4" x 10" (V, H) 7" round (V)	Aluminum	210/5.5 (130/2.0)**	210/5.0 (110/1.5)**	220/5.5 (140/2.0)**	Y
	PME300	18"-24"	3-3/8"	na	yes	6" round (V)	Aluminum	—	—	290/5.0 (140/0.6)	Y
RME50000	24"-30"	11-1/16"	8'-9" Opt. 10'	yes	6" round (V)	Aluminum	—	—	290/6.0 (145/0.5)	Y	



HVI-2100 CERTIFICATION

Broan range hoods are tested and certified by the Home Ventilating Institute. This is your assurance that each Broan unit has been tested and found to consistently deliver the air and sound performance specified.

	SERIES	CAT. PAGE	DESCRIPTION	FINISHES (may not be in all widths)	LIGHTING	CONTROL FEATURES	CONTROL TYPE	AIR-MOVER TYPE	WIDTH (inches)	MOUNT TYPE
POWER PACKS AND POWER MODELS	PM44	19	Power Module	WW	Enclosed Single 75W	Variable speed HI/Low light	Rotary	Dual Centrifugal Blower	22	Built-In
	PM250	18, 19	Power Module	Silver	Enclosed Dual 40W	2 speed	Rocker	Fan	20-½	Built-In
	PM390	18, 19	Power Module	Silver	Enclosed Dual 40W	3 speed	Slide	Centrifugal Blower	20-½	Built-In
	103023	19	Custom Hood Kit	BL	24" Fluorescent	Variable speed Heat Sentry™	Rotary	Dual Centrifugal Blower	30-42	Built-In
	113023	19	Hideaway Hood	BL	24" Fluorescent	Variable speed Heat Sentry™	Rotary	Dual Centrifugal Blower	30	Wall
	RMP1	16, 17	Power Pack	SS	Halogen Dual 50W	Variable speed Heat Sentry™	Slide	Centrifugal Blower	27-¾	Built-In
	RMPE	16, 17	Power Pack External Blower	SS	Halogen Dual 50W	Variable speed Heat Sentry™	Slide	Centrifugal Blower	27-¾	Built-In
	RMIP	16, 17	Pro-Style Insert	SS	Halogen Dual 50W	Variable speed Heat Sentry™ Two-Level Lights	Rotary	Centrifugal Blower	32-¾, 44-¾	Built-In
DOWNDRAFTS	27000	15	Downdraft	SS, (WH, BT, BL)	na	Variable speed	Rotary	Centrifugal Blower	30, 36	Under Counter
	28000	15	Downdraft External Blower	SS, (WH, BT, BL)	na	Variable speed	Rotary	Centrifugal Blower	30, 36	Under Counter
	RMDD	14	Broan Elite Downdraft	SS	na	Variable speed	Rotary	Centrifugal Blower	30, 36, 48	Under Counter
	RMDEX	14	Broan Elite Downdraft External Blower	SS	na	Variable speed	Rotary	Centrifugal Blower	30, 36, 48	Under Counter
CHIMNEY HOODS	RM50000	12, 13	Chimney Hood	SS, WH, BL	Incandescent Dual 40W (included)	Multi-speed Heat Sentry™	Slide	Centrifugal Blower	30, 35-¾	Wall
	RM51000	12, 13	Chimney Hood	SS	Halogen Dual 20W (included)	Multi-speed Heat Sentry™	Slide	Centrifugal Blower	35-¾	Wall
	RM52000	12, 13	Chimney Hood	SS	Halogen Dual 20W (included)	Multi-speed Heat Sentry™	Slide	Centrifugal Blower	30, 36, 42	Wall
	RM53000	10, 11	Chimney Hood	SS	Halogen Dual 25W (included)	Multi-speed Heat Sentry™	Slide	Centrifugal Blower	30, 36, 42	Wall
	E54000	8	Island Chimney Hood	SS	Halogen Quad 20W (included)	Multi-speed Heat Sentry™	Slide	Centrifugal Blower	35-¾* x 27-¾*	Ceiling
	E55000	9	Chimney Hood	SS	Halogen Dual 20W (included)	Push Button	Slide	Centrifugal Blower	35-¾	Wall
	EW56	10, 11	Chimney Hood	SS	Halogen Dual 35W (included)	3-speed, Delay-off, Filter Indicator, 3-setting light, Heat Sentry™	Electronic Push, Optional Remote	Centrifugal Blower w/ Make-up Air Damper Interlock	30, 35-¾	Wall
	EW58	10, 11	Chimney Hood	SS	Halogen Dual 35W (included)	3-speed, Delay-off, Filter Indicator, 3-setting light, Heat Sentry™	Electronic Push, Optional Remote	Centrifugal Blower w/ Make-up Air Damper Interlock	30, 36	Wall
	E159	7	Chimney Hood	SS	Halogen Quad 35W (included)	3-speed, Delay-off, Filter Indicator, 3-setting light, Heat Sentry™	Electronic Push, Optional Remote	Centrifugal Blower w/ Make-up Air Damper Interlock	35-¾ x 25-¾	Ceiling
	61000	8	Chimney Hood	SS	Halogen Dual 20W (included)	3 speed Heat Sentry™	Slide	Centrifugal Blower	30, 35-¾, 48	Wall
	61000EX	8	Chimney Hood External Blowers	SS	Halogen Dual or Quad 20W (included)	Variable Heat Sentry™	Slide	Centrifugal Blower	35-¾, 48	Wall
	63000	7	Island Chimney Hood	SS	Halogen Four 20W (included)	3 speed Heat Sentry™	Slide	Dual Centrifugal Blower	39-¾ x 27-¾	Ceiling
	63000EX	7	Island Chimney Hood External Blowers	SS	Halogen Dual or Quad 20W (included)	Variable Heat Sentry™	Slide	Centrifugal Blower	39-¾ x 27-¾	Ceiling
	RM65000	9	Chimney Hood	SS	Halogen Dual 20W (included)	Variable speed, Delay-off, Filter Indicator Heat Sentry™	Electronic Push	Centrifugal Blower	35-¾	Wall
BLOWERS	P5	46, 47	Internal Blower for and RMIP	na	na	na	na	Centrifugal Blower	na	Internal to Hood
	P8	46, 47	Internal Blower for and RMIP	na	na	na	na	Dual Centrifugal Blower	na	Internal to Hood
	331H	46, 47	†††Exterior Blower	na	na	na	na	Centrifugal Blower	na	Roof or Outside Wall
	332H	46, 47	†††Exterior Blower including 28000	na	na	na	na	Centrifugal Blower	na	Roof or Outside Wall
	335	46, 47	†††Exterior Blower	na	na	na	na	Centrifugal Blower	na	Roof or Outside Wall
	336	46, 47	†††Exterior Blower	na	na	na	na	Centrifugal Blower	na	Roof or Outside Wall
	HLB3	46, 47	†††In-Line Blower	na	na	na	na	Centrifugal Blower	na	Attached to Framing
	HLB6	46, 47	†††In-Line Blower	na	na	na	na	Centrifugal Blower	na	Attached to Framing
	HLB9	46, 47	†††In-Line Blower	na	na	na	na	Centrifugal Blower	na	Attached to Framing
	HLB11	46, 47	†††In-Line Blower	na	na	na	na	Centrifugal Blower	na	Attached to Framing

* Mounting Height is measured from the top of the cooktop to the bottom of the Hood. **Except for QS and QP Series which is measured from the top of the hood to the top of the cooktop.**

** Visible height of Chimney when in the raised position.

*** Minimum Height is 24" when using optional RMP series backsplash.

Indicates available while supplies last.

† SS=430 Stainless Steel, BL=Black on Black, AL=Almond w/Black Trim, AA=Almond on Almond, BT=Bisque/Biscuit w/Black Trim, BC=Bisque/Biscuit on Bisque/Biscuit, WW=White on White, WH=White w/Black Trim. ††† External blower for E6000, E6400, 61000EX, 63000EX, RMPE, RMIP, RMDEX and E66000 Series. ††††

	SERIES	MOUNTING HEIGHT*	VISIBLE SHELL HEIGHT (inches)	CEILING HEIGHT MAX	BULB INCLUDED	DUCT	FILTERS INCLUDED	CFM/SONES VERT. RECT.	CFM/SONES HORIZ. RECT.	CFM/SONES VERT. ROUND	HVI CERTIFIED
	PM44	18"-24"	7	na	no	3-1/4" x 10" (V, H) Non-ducted kit 355NDK	Aluminum	410/5.5	—	—	Y
	PM250	18"-24"	3-5/8	na	no	7" round (V) Non-ducted kit 356NDK	Aluminum w/ Light Lens	—	—	250/8.0	Y
	PM390	18"-24"	3-5/8	na	no	6" round (V) Non-ducted kit 357NDK	Aluminum w/ Light Lens	—	—	390/6.0	Y
	103023	18"-24"	4	na	no	3-1/4" x 10" (V, H)	Aluminum	360/5.0	360/4.5	—	Y
	113023	18"-24"	24-30	na	no	3-1/4" x 10" (V)	Aluminum	360/4.5	—	—	Y
	RMP1	24"-30"	Flush	na	yes	6" round (V)	Aluminum	—	—	400/9.0	Y
	RMPE	25"-30"	Flush	na	yes	8" round (V)	Aluminum	—	—	280 to 1500 See Exterior or In-Line Blowers	Y
	RMIP	28"-34"	Flush	na	no	See Selected Blower Page 46, 47†††††	SS & Aluminum	460 to 850 See Md# P5, P8	—	—	Y
DOWNDRAFTS	27000	na	7**	na	na	3-1/4" x 10" (V, H)	Aluminum	500/na	500/na	—	Y
	28000	na	7**	na	na	3-1/4" x 10" (V)	Aluminum	—	—	280 to 1100: See Md# 332H, or In-Line Blowers	Y
	RMDD	na	9.5	na	na	3-1/4" x 10"	Stainless Steel	500/na	—	—	Y
	RMDDEX	na	9.5	na	na	3-1/4" x 14"	Stainless Steel	—	—	280 to 1500 See Exterior or In-Line Blowers	Y
CHIMNEY HOODS	RM50000	24"-30"	11-1/16	8'-9" Opt. 10'	yes	6" round (V) Non-ducted	Aluminum	—	—	290/6.5	Y
	RMS1000	24"-30"	5-1/16	8'-9" Opt. 10'	yes	6" round (V) Non-ducted	Aluminum	—	—	370/7.0	Y
	RMS2000	24"-30"	5-1/16	8'-9" Opt. 10'	yes	6" round (V) Non-ducted	Aluminum	—	—	370/7.0	Y
	RMS3000	24"-30"	3-1/8	8'-9" Opt. 10'	yes	6" round (V) Non-ducted	Aluminum	—	—	370/7.0	Y
	E54000	24"-30"	3-7/8	8'-9" Opt. 10'	yes	6" round (V) Non-ducted	Aluminum	—	—	480/9.5	Y
	E55000	24"-30"	2-1/16	8'-9" Opt. 10'	yes	6" round (V)	Aluminum	—	—	360/6.5	Y
	EW56	24"-36"		8'-9" Opt. 10'	yes	6" round (V) Non-ducted	Aluminum	—	—	500/10.5 (200/2.5)	Y
	EW58	24"-36"		8'-9" Opt. 10'	yes	6" round (V) Non-ducted	Aluminum	—	—	500/10.5 (200/2.5)	Y
	E159	24"-36"		8'-9" Opt. 10'	yes	6" round (V) Non-ducted	Aluminum	—	—	500/10.5 (200/2.5)	Y
	61000	24"-30"	9-3/8	8'-9'	yes	6" round (V) 30" & 35-1/2" Width 8" round (V) 48" Width Non-ducted	Stainless Steel	—	—	450/9 900/9.5	Y
	61000EX	24"-30"	9-3/8	8'-9'	yes	8" round (V)	Stainless Steel	—	—	280 to 1500 See External or In-Line Blowers	Y
	63000	24"-30"	10-1/4	8'-9'	yes	8" round (V)	Stainless Steel	—	—	900/9.5	Y
	63000EX	24"-30"	10-1/4	8'-9" Opt. 10'	yes	8" round (V)	Stainless Steel	—	—	280 to 1500 See External or In-Line Blowers	Y
RM65000	24"-30"	11-13/16	8'-9'	yes	6" round (V)	Aluminum	—	—	450/9.0	Y	
BLOWERS	P5	na	na	na	na	3-1/4" x 10" (V, H)	na	460/10.5	500/10	—	Y
	P8	na	na	na	na	3-1/4" x 14" (V, H)	na	850/10.5	900/10	—	Y
	331H	na	na	na	na	10" round	na	—	—	600/na	Y
	332H	na	na	na	na	10" round	na	—	—	900/na	Y
	335	na	na	na	na	10" round	na	—	—	1200/na	Y
	336	na	na	na	na	10" round	na	—	—	1500/na	Y
	HLB3	na	na	na	na	Inlet 8" or 10" round Outlet 8" round	na	—	—	\$280(H)/ \$260(V)	Y
	HLB6	na	na	na	na	Inlet 10" round Outlet 10" round	na	—	—	\$600(H)/ \$600(V)	Y
	HLB9	na	na	na	na	Inlet 10" round Outlet 10" round	na	—	—	\$800(H)/ \$700(V)	Y
	HLB11	na	na	na	na	Inlet 10" round Outlet 10" round	na	—	—	\$1100(H)/ \$1000(V)	Y

RMIP Series require 332KR Rough-In Kit when used with Exterior or In-Line blowers. † Performance ratings assume use of 10" round transition provided with blowers. Note: "Bisque/Biscuit" is a new color name for "Biscuit." The actual color remains unchanged.



HVI-2100 CERTIFICATION

Broan range hoods are tested and certified by the Home Ventilating Institute. This is your assurance that each Broan unit has been tested and found to consistently deliver the air and sound performance specified.

Broan. The leader in residential ventilation.



Broan® is America's leading brand of residential ventilation products including range hoods, ventilation fans, heater/fan/light combination units, Indoor Air Quality (IAQ) Systems, built-in heaters, whole-house fans, electric and solar-powered attic ventilators, and trash compactors.

NuTone® is America's leading brand of residential built-in convenience products including door chimes, central vacuum systems, intercom systems, ceiling fans, home theater speakers, medicine cabinets, ironing centers and ventilation fans.

America's Choice For Green Builders®
Broan® and NuTone® are proud to be Energy Star® partners.

BROAN®

www.Broan.com

Broan-NuTone, LLC, 926 W. State Street, Hartford, WI 53027 • **800-558-1711**
In Canada call **877-896-1119**

