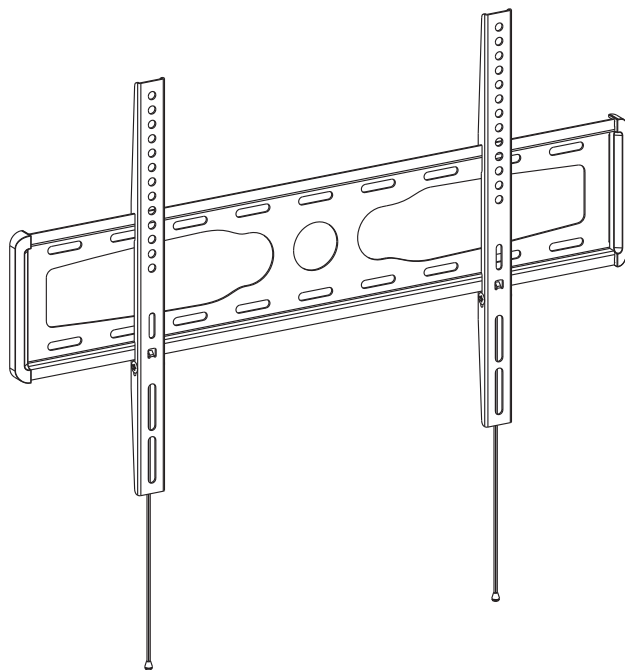


# DYNEX™

## TV Wall Mount Support de montage mural pour téléviseur

DX-DTVMFP23



ENGLISH ..... 3  
FRANÇAIS ..... 23

### INSTALLATION GUIDE/GUIDE D'INSTALLATION

Before using your new product, please read these instructions to prevent any damage.  
Avant l'utilisation de ce produit neuf, lire ces instructions afin d'éviter tout dommage.

## Contents/Table des matières

<b>ENGLISH</b> .....	<b>3</b>
SAFETY INFORMATION INSTRUCTIONS .....	3
Features .....	3
VESA TV screw hole patterns .....	3
Dimensions .....	4
Tools needed .....	4
Package contents .....	5
Parts .....	5
TV Hardware Bag .....	6
Installation instructions .....	7
STEP 1- Determine whether your TV has a flat, irregular, or obstructed back ..	7
STEP 2 - Select screws, washers, and spacers .....	8
STEP 3 - Attach the plastic covers to the wall plate .....	9
STEP 4 - Option 1: Attach hardware to a flat back TV .....	10
STEP 4 - Option 2: Attach hardware to an irregular or obstructed back TV .....	12
STEP 5 - Determine wall-mount location .....	14
STEP 6 - Option 1: Install on a wood stud wall .....	15
STEP 6 - Option 2: Install on a solid concrete or concrete block wall .....	17
STEP 7 - Mount your TV to the wall plate .....	19
If you ever need to remove your TV from the wall plate .....	20
ONE-YEAR LIMITED WARRANTY .....	21
<b>FRANÇAIS</b> .....	<b>23</b>
INFORMATIONS SUR LA SÉCURITÉ .....	23
Caractéristiques .....	23
Modèles d'orifices VESA pour téléviseur : .....	23
Dimensions .....	24
Outils nécessaires .....	24
Contenu de l'emballage .....	25
Éléments .....	25
Sachet de visserie pour le téléviseur .....	26
Instructions d'installation .....	27
ÉTAPE 1 : Déterminer si le téléviseur a un dos plat ou de forme irrégulière ou est obstrué .....	27
ÉTAPE 2 - Sélectionner les vis, les rondelles et les entretoises .....	28
ÉTAPE 3 - Fixation des caches en plastique à la plaque murale .....	29
ÉTAPE 4 - Option 1 : Fixation des ferrures sur un téléviseur à dos plat .....	30
ÉTAPE 4 - Option 2 : Fixation de la visserie sur un téléviseur à dos de forme irrégulière ou obstrué .....	32
ÉTAPE 5 - Déterminer l'emplacement du montage mural .....	34
ÉTAPE 6 - Option 1 : Installation sur un mur à montants en bois .....	35
ÉTAPE 6 - Option 2 : Montage sur un mur en béton ou en blocs de béton .....	37
ÉTAPE 7 - Fixation du téléviseur à la plaque murale .....	39
Si pour une raison quelconque il est nécessaire de retirer le téléviseur de la plaque murale .....	40
GARANTIE LIMITÉE D'UN AN .....	41

# ENGLISH

## SAFETY INFORMATION INSTRUCTIONS

**CAUTION:** Do not use this product for any purpose not explicitly specified by Dynex.

- Improper installation may cause property damage or personal injury. If you do not understand these directions, or have doubts about the safety of the installation, contact Customer Service or call a qualified contractor. Dynex is not responsible for damage or injury caused by incorrect installation or use.
- The weight of your TV must not exceed 165 lbs. (75 kg). The wall must be capable of supporting five times the weight of your TV and wall mount combined.
- This product contains small items that could be a choking hazard if swallowed. Keep these items away from young children!

## SAVE THESE INSTRUCTIONS

### Features

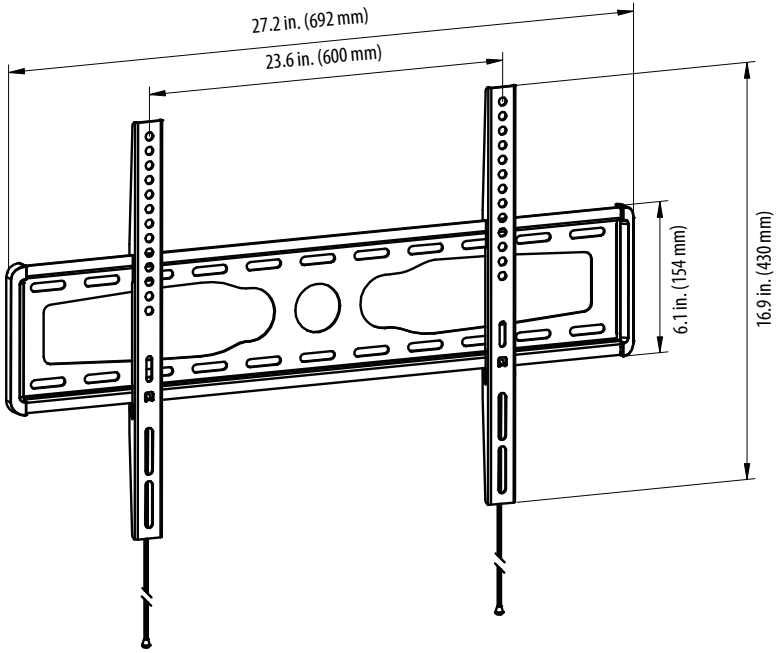
- Supports TVs 37"– 90" and up to 165 lbs (75 kg)
- Low-profile design is lighter for easier installation
- Compatible with VESA patterns from 200 × 200 up to 600 × 400 with all common sizes in between
- Sturdy steel construction for years of dependable use
- Full assortment of mounting hardware included for a wide range of TVs

### VESA TV screw hole patterns

Your wall mount works with the following VESA TV screw hole patterns:

200 × 200 mm (7.9 × 7.9")	400 × 300 mm (15.7 × 11.8")
300 × 200 mm (11.8 × 7.9")	400 × 400 mm (15.7 × 15.7")
300 × 300 mm (11.8 × 11.8")	500 × 400 mm (19.7 × 15.7")
400 × 200 mm (15.7 × 7.9")	600 × 400 mm (23.6 × 15.7")

## Dimensions



## Tools needed

You will need the following tools to assemble your new TV wall mount:



Edge-to-edge stud finder



Pencil



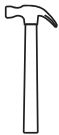
Phillips screwdriver



Measuring tape



Drill



Hammer



Socket wrench



3/16 in. (5 mm) wood drill bit  
(for wood stud wall)

OR

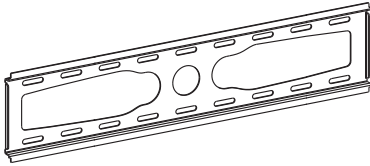


3/8 in. (10 mm) masonry drill bit (for  
concrete wall)

## Package contents

Make sure that you have all the parts and hardware necessary to assemble your new TV wall mount.

### Parts



**A** Wall plate (1)



**B** Left TV bracket (1)





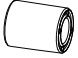




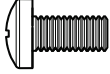



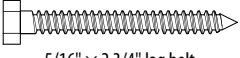


**C** Right TV bracket (1)



**D** Plastic covers (2)

**TV Hardware Bag**

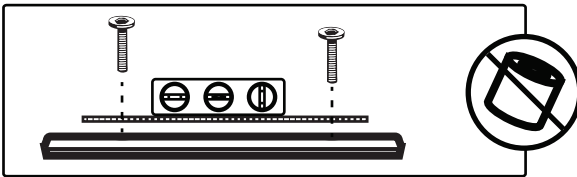
LABEL	HARDWARE	QTY.
E	 M4 x 12 mm screw	4
F	 M4 x 35 mm screw	4
G	 M4 washer	8
H	 M6/M8 washer	4
I	 Universal spacer	4
J	 M6 x 12 mm screw	4
K	 M6 x 35 mm screw	4

LABEL	HARDWARE	QTY.
L	 M8 x 16 mm screw	4
M	 M8 x 20 mm screw	4
N	 M8 x 36 mm screw	4
O	 Lag bolt washer	4
P	 5/16" x 2 3/4" lag bolt	4
Q	 Concrete anchor	4
	 Magnetic removable level	1

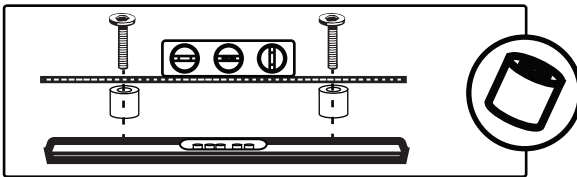
## Installation instructions

### STEP 1- Determine whether your TV has a flat, irregular, or obstructed back

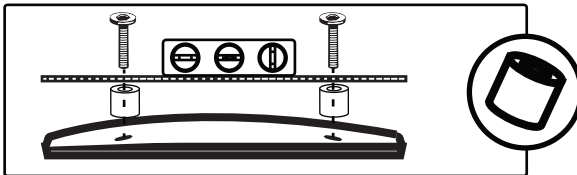
- 1 Carefully place your TV screen face-down on a cushioned, clean surface to protect the screen from damages and scratches.
- 2 If your TV has a table-top stand attached, remove the stand. See the documentation that came with your TV for instructions.
- 3 Lay the TV brackets, oriented vertically, on the back of your TV.
- 4 Align the screw holes in the TV brackets with the mounting screw holes on your TV.
- 5 Identify which type of back your TV has:
  - **Flat back:** The brackets lay flush against the back of your TV and do not block any jacks. You do not need spacers when assembling the wall mount.



- **Obstructed back:** The brackets block one or more of the jacks on the back of your TV. You need spacers when assembling the wall mount.



- **Irregularly-shaped back:** There is a gap between a bracket and some part of the back of your TV. You need spacers when assembling the wall mount.



- 6 Remove the TV brackets.

## STEP 2 - Select screws, washers, and spacers

1 Select the hardware for your TV (screws, washers, and spacers). A limited number of TVs come with mounting hardware included. (If there are screws that came with your TV, they are almost always in the holes on the back of your TV.) If you don't know the correct length of the mounting screws your TV requires, test various sizes by hand-threading the screws.

Select one of the following types of screws:

### For a TV with a flat back:

- M4 × 12 mm screws (E)
- M6 × 12 mm screws (J)
- M8 × 16 mm screws (L)
- M8 × 20 mm screws (M)

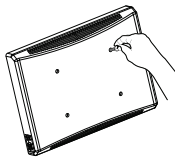
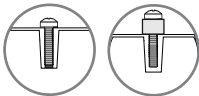
### For a TV with an irregular/obstructed back:

- M4 × 35 mm screws (F)
- M6 × 35 mm screws (K)
- M8 × 36 mm screws (N)

If you use M4 screws, select the M4 washer (G) or if you use M6 or M8 screws, select the M6/M8 washer (H). For an irregular or obstructed TV back, also use the spacers (I).

**CAUTION:** To avoid potential personal injuries and property damage, make sure that there are adequate threads to secure the brackets to your TV. If you encounter resistance, stop immediately and contact customer service. Use the shortest screw and spacer combination to accommodate your TV. Using hardware that is too long may damage your TV. However, using a screw that is too short may cause your TV to fall from the mount.

Screw fits  
correctly



Screw is  
too long



Screw is  
too short

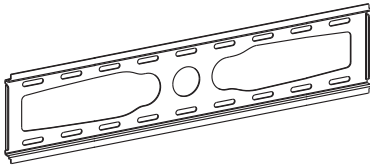


2 Remove the screws from the holes in the back of your TV.



## STEP 3 - Attach the plastic covers to the wall plate

You'll need

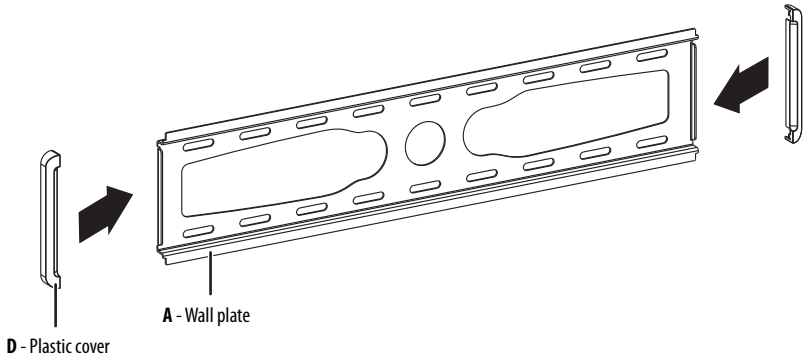


A - Wall plate (1)



D - Plastic covers (2)

1 Fit the plastic covers (D) over the ends of the wall plate (A).



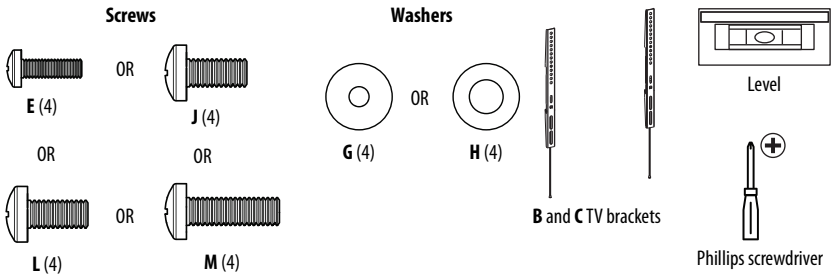
2 For a flat back TV, go to [STEP 4 - Option 1: Attach hardware to a flat back TV](#) on page [10](#).

-OR-

For an irregular or obstructed back, go to [STEP 4 - Option 2: Attach hardware to an irregular or obstructed back TV](#) on page [12](#).

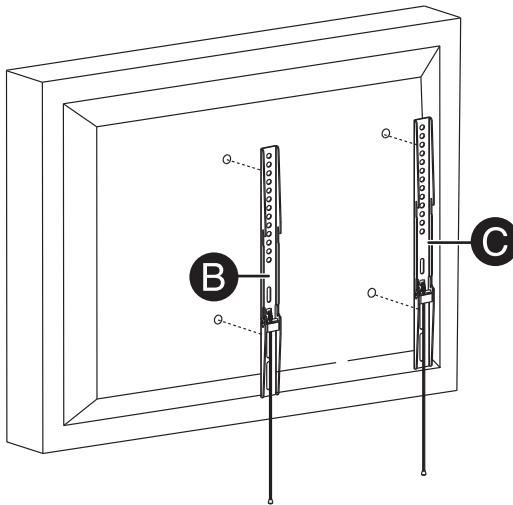
## STEP 4 - Option 1: Attach hardware to a flat back TV

### You'll need

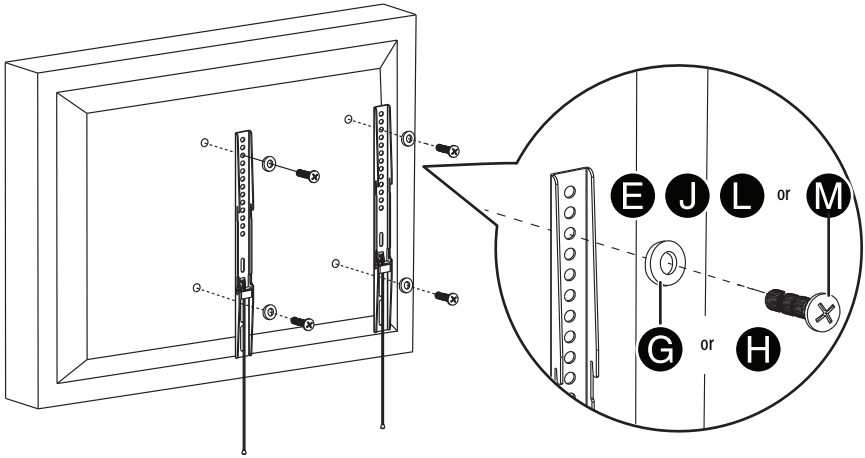


**Note:** If you plan to use a 5° tilt with a larger TV (42"+), we suggest using spacers with the mounting brackets so that the bottom of your TV does not touch the wall.

- 1 Align the left and right TV brackets (**B** and **C**) with the screw holes on the back of your TV. Make sure that the brackets are level.

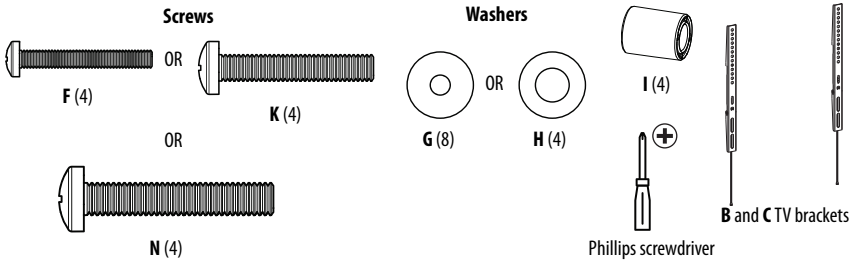


- 2 Install washers (**G** or **H**), and screws (**E**, **J**, **L**, or **M**) into the holes in the back of your TV.
- 3 Tighten the screws until they are snug against the TV brackets. Do not over tighten.

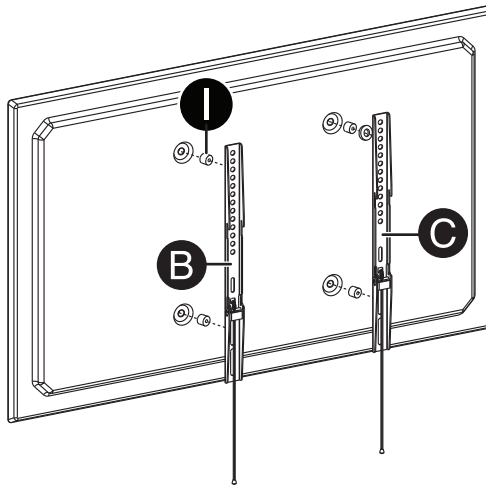


## STEP 4 - Option 2: Attach hardware to an irregular or obstructed back TV

You'll need

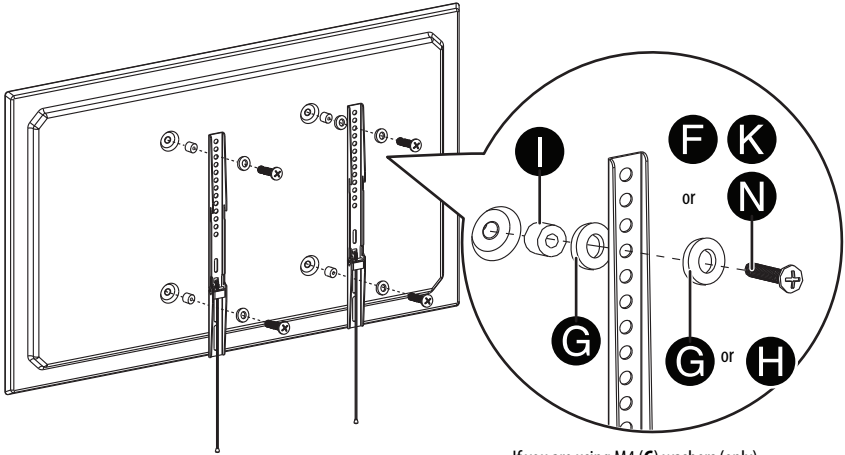


1 Place spacers (I) over the screw holes on the back of your TV.



2 Align the left and right TV brackets (B and C) with the screw holes on the back of your TV. Make sure that the brackets are level.

- 3 If you are using M4 washers (**G**), place them between the spacers and TV brackets and over the holes in the TV brackets. If you are using M6/M8 washers (**H**), place them over the holes in the TV brackets. Insert screws (**F**, **K**, or **N**) through the washers, TV brackets, and spacers.
- 4 Tighten the screws until they are snug against the TV brackets. Do not over tighten.



If you are using M4 (**G**) washers (only), place them both in front of and behind the brackets.

## STEP 5 - Determine wall-mount location

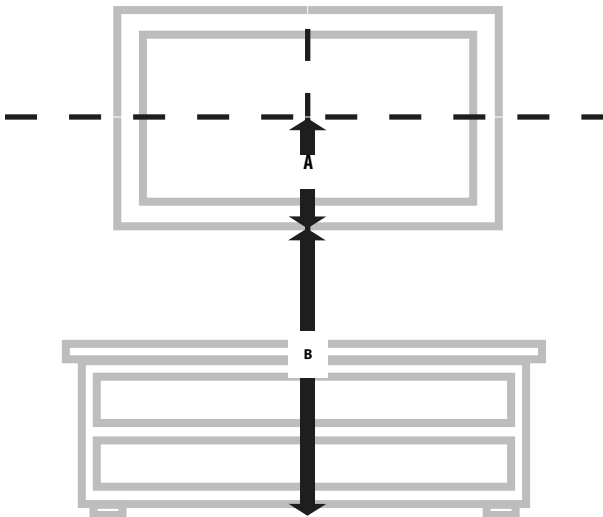
### You'll need

**Notes:**

- For more detailed information on determining where to drill your holes, visit our online height-finder at: <http://mf1.bestbuy.selectionassistant.com/index.php/heightfinder>
- Your TV should be high enough so your eyes are level with the middle of the screen. This is normally 40 to 60 in. from the ground.

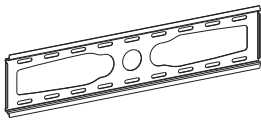
The center of your TV will be offset .8 in. lower than the center of the wall plate on the wall-mount. Before you drill holes in the wall:

- 1** Measure the distance from the bottom of your TV to the center point halfway between the top and bottom mounting holes on the back of your TV. This is measurement **a**.
- 2** Measure the distance from the floor to where you want the bottom of your TV to be placed on the wall. Keep in mind that the bottom of your TV should be placed above any furniture (such as entertainment centers or TV stands). Your TV should also be above items placed on top of the furniture (like a Blu-ray player or cable box). This measurement is **b**.
- 3** Add **a + b**. The total measurement is the height where you want the center of the wall plate to be on the wall.
- 4** Use a pencil to mark this spot on the wall.



## STEP 6 - Option 1: Install on a wood stud wall

### You'll need



Wall plate (A)



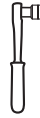
P (4)



O (4)



Pencil



1/2" socket wrench



Drill

Edge-to-edge  
stud  
finder

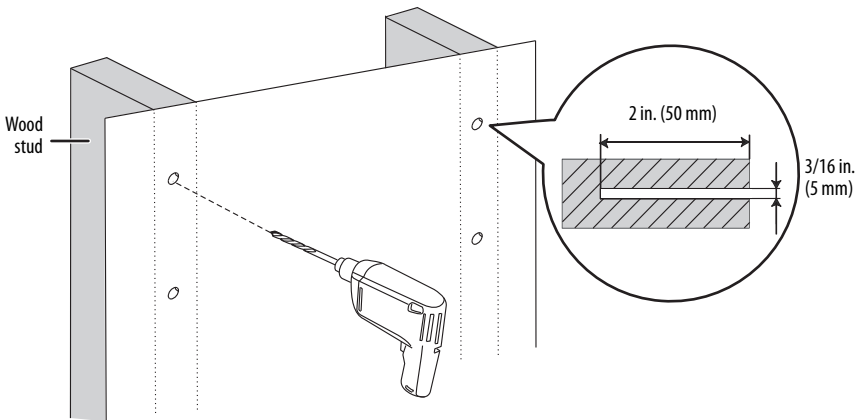
Level



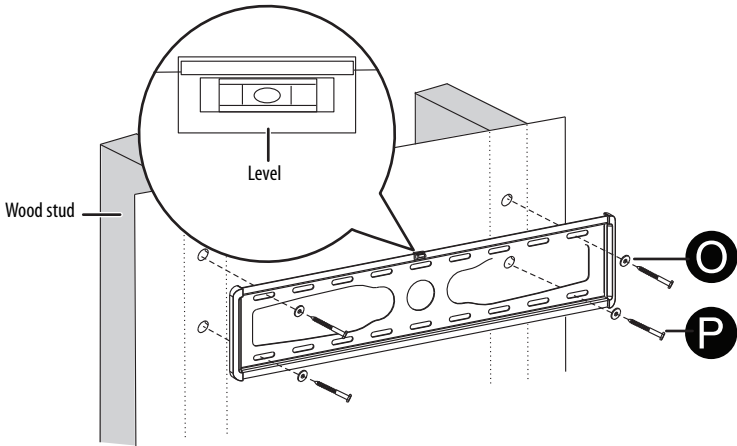
3/16" wood drill bit

**Note:** Any drywall covering the wall must not exceed 5/8 in. (16 mm).

- 1 Locate the studs. Verify the centers of the studs with an edge-to-edge stud finder.
- 2 Align the wall plate (A) at the height you determined in the previous step, make sure that it is level, then use a pencil to mark the lag bolt hole locations (4) on the stud centers. Remove the wall plate (A).
- 3 Drill pilot holes to a depth of 2 in. (50 mm) using a 3/16 in. (5 mm) diameter drill bit.
  - Minimum wood stud size: common 2 x 4 in. (51 x 102 mm) nominal 1 1/2 x 3 1/2 in. (38 x 89 mm).
  - Minimum spacing between horizontal fasteners cannot be less than 16 in. (40 cm)



4 Align the wall plate (A) with the pilot holes, insert the lag bolts (P) through the lag bolt washers (O), then through the holes in the wall plate. Tighten the lag bolts only until they are firm against the wall plate.

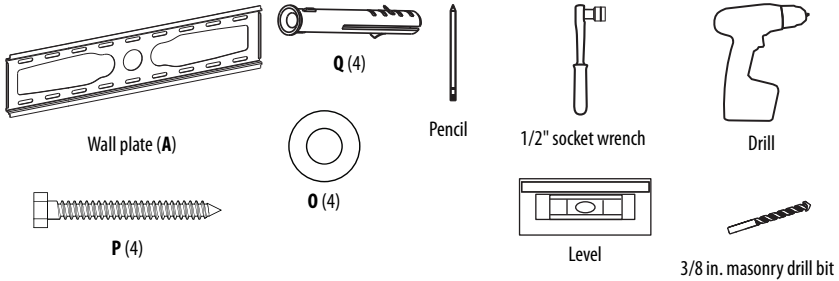


**CAUTION:** Avoid potential injuries or property damage! DO NOT over-tighten the lag bolts (P).



## STEP 6 - Option 2: Install on a solid concrete or concrete block wall

### You'll need



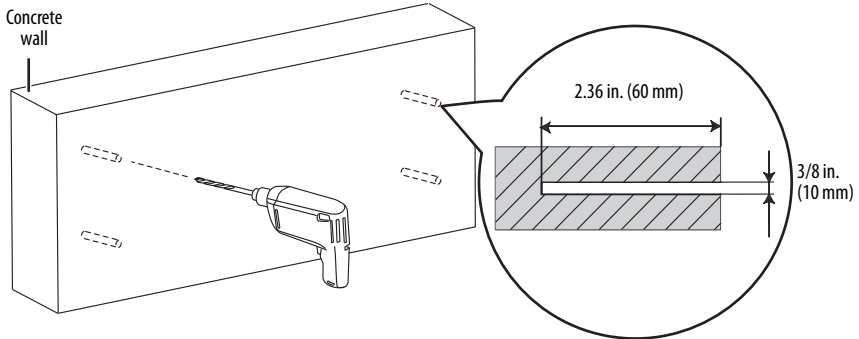
**CAUTION:** To prevent property damage or personal injury, never drill into mortar between blocks. Mount the wall plate directly onto the concrete surface.

- 1 Align the wall plate (A) at the height you determined in the previous step, make sure that it is level, then use a pencil to mark the lag bolt hole locations (4). Remove the wall plate (A).
- 2 Drill pilot holes to a depth of 2.36 in. (60 mm) using a 3/8 in. (10 mm) diameter masonry drill bit.

\* Minimum solid concrete thickness: 8 in. (203mm).

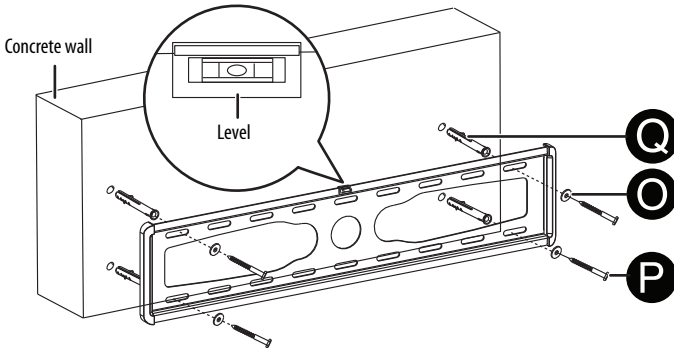
\* Minimum concrete block size: 8 x 8 x 16 in. (203 x 203 x 406 mm).

The minimum distance between the top two fasteners cannot be less than 16 in. (40 cm)



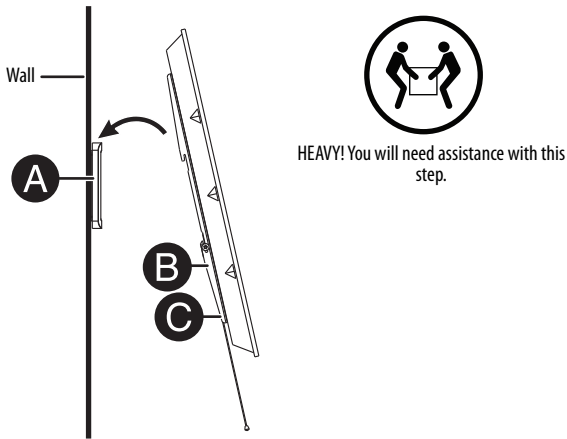
- 3 Insert the concrete wall anchors (**Q**) into the pilot holes and use a hammer to make sure the anchors are flush with the concrete surface.
- 4 Align the wall plate (**A**) with the anchors, insert the lag bolts (**P**) through the lag bolt washers (**O**), then through the holes in the wall plate. Tighten the lag bolts only until they are firm against the wall plate.

**CAUTION:** Avoid potential injuries or property damage! DO NOT over-tighten the lag bolts (**P**).

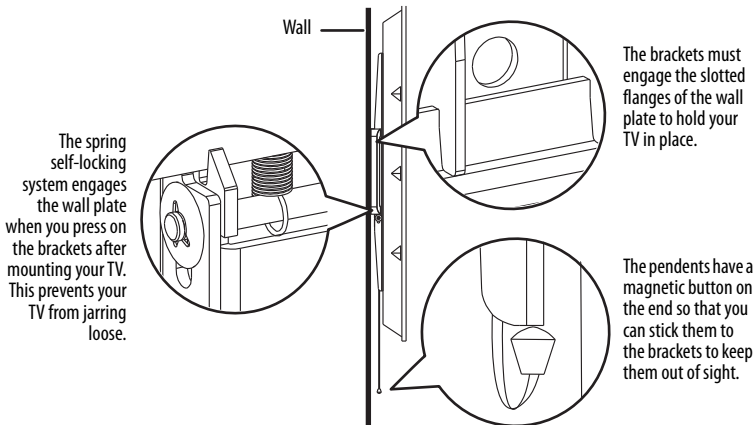


## STEP 7 - Mount your TV to the wall plate

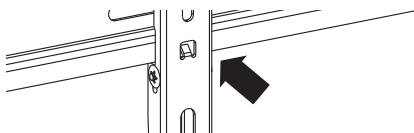
- 1 Place the TV brackets (**B** and **C**) into the slotted flanges of the wall plate (**A**).



- 2 Push the bottom of your TV toward the wall until the spring self-locking system clicks into place.

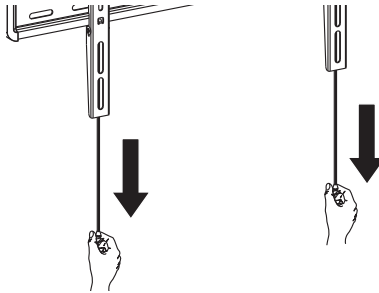


- 3 Press the brackets after you mount your TV to the wall plate to lock the assembly to the wall plate.



## If you ever need to remove your TV from the wall plate

- 1 Grasp your TV by the bottom edge, then pull down on the locking cords and pull the bottom of your TV out from the wall.



- 2 Release the locking cords and lift the top of your TV from the wall bracket.



**HEAVY!** You will need assistance with this step.

---

# ONE-YEAR LIMITED WARRANTY

## Definitions:

The Distributor\* of Dynex branded products warrants to you, the original purchaser of this new Dynex-branded product ("Product"), that the Product shall be free of defects in the original manufacturer of the material or workmanship for a period of one (1) year from the date of your purchase of the Product ("Warranty Period").

For this warranty to apply, your Product must be purchased in the United States or Canada from a Best Buy branded retail store or online at [www.bestbuy.com](http://www.bestbuy.com) or [www.bestbuy.ca](http://www.bestbuy.ca) and is packaged with this warranty statement.

## How long does the coverage last?

The Warranty Period lasts for 1 year (365 days) from the date you purchased the Product. Your purchase date is printed on the receipt you received with the Product.

## What does this warranty cover?

During the Warranty Period, if the original manufacture of the material or workmanship of the Product is determined to be defective by an authorized Dynex repair center or store personnel, Dynex will (at its sole option): (1) repair the Product with new or rebuilt parts; or (2) replace the Product at no charge with new or rebuilt comparable products or parts. Products and parts replaced under this warranty become the property of Dynex and are not returned to you. If service of Products or parts are required after the Warranty Period expires, you must pay all labor and parts charges. This warranty lasts as long as you own your Dynex Product during the Warranty Period. Warranty coverage terminates if you sell or otherwise transfer the Product.

## How to obtain warranty service?

If you purchased the Product at a Best Buy retail store location or from a Best Buy online website ([www.bestbuy.com](http://www.bestbuy.com) or [www.bestbuy.ca](http://www.bestbuy.ca)), please take your original receipt and the Product to any Best Buy store. Make sure that you place the Product in its original packaging or packaging that provides the same amount of protection as the original packaging.

To obtain warranty service, in the United States and Canada call 1-800-305-2204. Call agents may diagnose and correct the issue over the phone.

## Where is the warranty valid?

This warranty is valid only in the United States and Canada at Best Buy branded retail stores or websites to the original purchaser of the product in the country where the original purchase was made.

## What does the warranty not cover?

This warranty does not cover:

- Customer instruction/education
- Installation
- Set up adjustments
- Cosmetic damage
- Damage due to weather, lightning, and other acts of God, such as power surges
- Accidental damage
- Misuse
- Abuse
- Negligence
- Commercial purposes/use, including but not limited to use in a place of business or in communal areas of a multiple dwelling condominium or apartment complex, or otherwise used in a place of other than a private home.
- Modification of any part of the Product, including the antenna
- Display panel damaged by static (non-moving) images applied for lengthy periods (burn-in).
- Damage due to incorrect operation or maintenance
- Connection to an incorrect voltage or power supply
- Attempted repair by any person not authorized by Dynex to service the Product

- Products sold “as is” or “with all faults”
- Consumables, including but not limited to batteries (i.e. AA, AAA, C etc.)
- Products where the factory applied serial number has been altered or removed
- Loss or Theft of this product or any part of the product
- Display panels containing up to three (3) pixel failures (dots that are dark or incorrectly illuminated) grouped in an area smaller than one tenth (1/10) of the display size or up to five (5) pixel failures throughout the display. (Pixel based displays may contain a limited number of pixels that may not function normally.)
- Failures or Damage caused by any contact including but not limited to liquids, gels or pastes.

REPAIR REPLACEMENT AS PROVIDED UNDER THIS WARRANTY IS YOUR EXCLUSIVE REMEDY FOR BREACH OF WARRANTY. DYNEX SHALL NOT BE LIABLE FOR ANY INCIDENTAL OR CONSEQUENTIAL DAMAGES FOR THE BREACH OF ANY EXPRESS OR IMPLIED WARRANTY ON THIS PRODUCT, INCLUDING, BUT NOT LIMITED TO, LOST DATA, LOSS OF USE OF YOUR PRODUCT, LOST BUSINESS OR LOST PROFITS. DYNEX PRODUCTS MAKES NO OTHER EXPRESS WARRANTIES WITH RESPECT TO THE PRODUCT, ALL EXPRESS AND IMPLIED WARRANTIES FOR THE PRODUCT, INCLUDING BUT NOT LIMITED TO ANY IMPLIED WARRANTIES OF AND CONDITIONS OF MERCHANTABILITY AND FITNESS FOR A PARTICULAR PURPOSE, ARE LIMITED IN DURATION TO THE WARRANTY PERIOD SET FORTH ABOVE AND NO WARRANTIES, WHETHER EXPRESS OR IMPLIED, WILL APPLY AFTER THE WARRANTY PERIOD. SOME STATES, PROVINCES AND JURISDICTIONS DO NOT ALLOW LIMITATIONS ON HOW LONG AN IMPLIED WARRANTY LASTS, SO THE ABOVE LIMITATION MAY NOT APPLY TO YOU. THIS WARRANTY GIVES YOU SPECIFIC LEGAL RIGHTS, AND YOU MAY ALSO HAVE OTHER RIGHTS, WHICH VARY FROM STATE TO STATE OR PROVINCE TO PROVINCE.

Contact Dynex:

**1-800-305-2204**

[www.dynexproducts.com](http://www.dynexproducts.com)

DYNEX is a trademark of Best Buy and its affiliated companies

\*Distributed by Best Buy Purchasing, LLC

7601 Penn Ave South, Richfield, MN 55423 U.S.A.

©2020 Best Buy. All rights reserved

# FRANÇAIS

## INFORMATIONS SUR LA SÉCURITÉ

**ATTENTION :** Ne pas utiliser ce produit pour un usage qui ne soit explicitement spécifié par Dynex.

- Une installation inappropriée peut être source de dégâts matériels ou de blessures. Si ces instructions ne sont pas comprises ou en cas de doutes sur la sécurité de l'installation, contacter le Service à la clientèle ou un installateur professionnel. Dynex n'est pas responsable de dégâts ou de blessures résultants d'une installation ou d'une utilisation incorrecte.
- Le poids du téléviseur ne doit pas dépasser 165 lb (75 kg). Le mur doit pouvoir supporter cinq fois le poids du téléviseur système de montage mural inclus.
- Ce produit contient des petites pièces qui peuvent présenter des risques d'étouffement si elles sont avalées. Ranger ces pièces hors de la portée des jeunes enfants!

## CONSERVER CES INSTRUCTIONS

### Caractéristiques

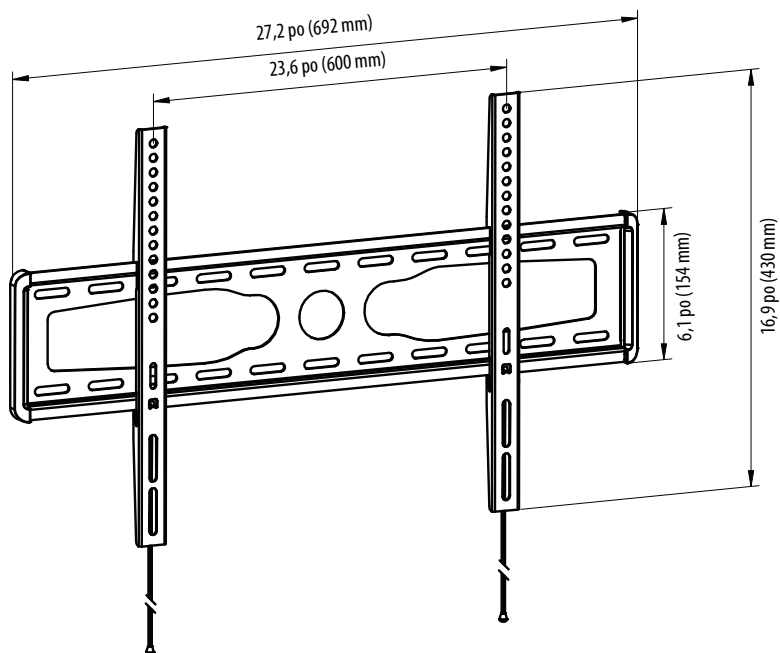
- Supporte des téléviseurs de 37 à 90 po et pesant jusqu'à 165 lb (75 kg)
- La conception compacte est plus légère pour faciliter l'installation
- Compatible avec les normes VESA de 200 x 200 jusqu'à 600 x 400 incluant toutes les tailles intermédiaires courantes
- Construction en acier robuste pour des années d'utilisation sans problèmes.
- Un assortiment complet d'accessoires de montage inclus pour une large gamme de téléviseurs

### Modèles d'orifices VESA pour téléviseur :

Ce support mural est compatible avec les modèles d'orifices VESA pour téléviseur :

200 × 200 mm (7,9 × 7,9 po)	400 × 300 mm (15,7 × 11,8 po)
300 × 200 mm (11,8 × 7,9 po)	400 × 400 mm (15,7 × 15,7 po)
300 × 300 mm (11,8 × 11,8 po)	500 × 400 mm (19,7 × 15,7 po)
400 × 200 mm (15,7 × 7,9 po)	600 × 400 mm (23,6 × 15,7 po)

## Dimensions



## Outils nécessaires

Les outils suivants sont nécessaires pour l'assemblage de ce support de montage mural neuf pour téléviseur :



Détecteur de montants  
bord à bord



Crayon



Tournevis cruciforme



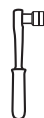
Mètre à ruban



Perceuse



Marteau



Clé à douille



OU



3/16 po Mèche à bois pour perceuse de  
5 mm pour mur à montants en bois

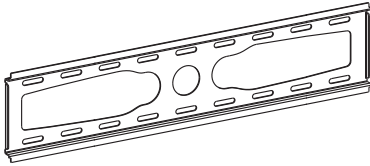
3/8 po Mèche à béton pour perceuse  
de 10 mm pour mur en béton



## Contenu de l'emballage

Vérifier d'avoir toutes les pièces nécessaires pour assembler ce support mural neuf pour téléviseur.

### Éléments



Plaque murale **A** (1)



Support gauche pour téléviseur **B** (1)


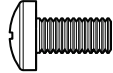


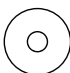








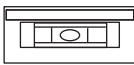


Support droit pour téléviseur **C** (1)



Caches en plastique **D** (2)

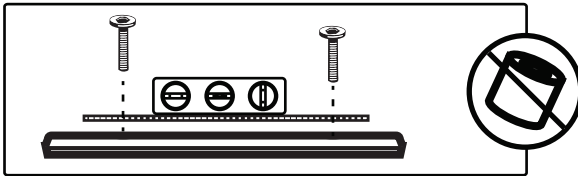
**Sachet de visserie pour le téléviseur**

ÉTIQUETTE	FIXATIONS	QTÉ	ÉTIQUETTE	FIXATIONS	QTÉ
<b>E</b>	 Vis M4 × 12 mm	4	<b>H</b>	 Vis M8 × 16 mm	4
<b>F</b>	 Vis M4 × 35 mm	4	<b>M</b>	 Vis M8 × 20 mm	4
<b>G</b>	 Rondelle M4	8	<b>N</b>	 Vis M8 × 36 mm	4
<b>H</b>	 Rondelle M6/M8	4	<b>O</b>	 Rondelle pour	4
<b>I</b>	 Entretoise universelle	4	<b>P</b>	 Tire-fond de 5/16 po × 2 3/4 po	4
<b>J</b>	 Vis M6 × 12 mm	4	<b>Q</b>	 Cheville à béton	4
<b>K</b>	 Vis M6 × 35 mm	4		 Niveau à bulle magnétique amovible	1

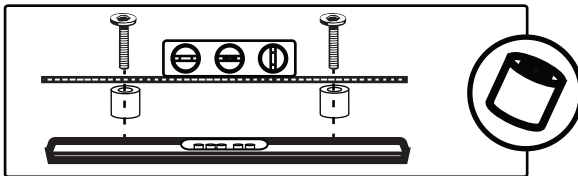
## Instructions d'installation

### ÉTAPE 1 : Déterminer si le téléviseur a un dos plat ou de forme irrégulière ou est obstrué

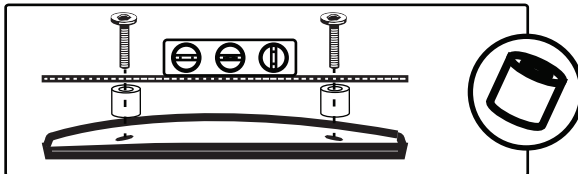
- 1 Placer délicatement l'écran du téléviseur sur une surface propre et matelassée afin de le protéger des rayures et des dégâts matériels.
- 2 Si le téléviseur est sur un meuble, retirer celui-ci. Pour plus d'informations, se reporter à la documentation livrée avec le téléviseur.
- 3 Poser les supports pour téléviseur, orientés verticalement, sur le dos du téléviseur.
- 4 Aligner les trous de vis des supports pour téléviseur avec les orifices des vis de montage du téléviseur.
- 5 Déterminer le type de dos qu'a le téléviseur :
  - **Dos plat** : les supports sont au ras du dos du téléviseur et ne bloquent aucune prise. Des entretoises ne sont pas nécessaires lors du montage du support mural.



- **Dos obstrué** : les supports bloquent une ou plusieurs des prises situées au dos du téléviseur. Des entretoises sont nécessaires lors du montage du support mural.



- **Dos de forme irrégulière** : il existe un espace entre le support et une partie du dos du téléviseur. Des entretoises sont nécessaires lors du montage du support mural.



- 6 Enlever les supports pour téléviseur

## ÉTAPE 2 - Sélectionner les vis, les rondelles et les entretoises

- 1 Sélectionner la visserie nécessaire pour le téléviseur (vis, rondelles et entretoises). Un nombre limité de téléviseurs sont fournis avec le matériel de montage inclus. (Si des vis sont fournies avec le téléviseur, elles se trouvent presque toujours dans les orifices au dos du téléviseur). Si la longueur des vis de montage que le téléviseur requiert est inconnu, essayer diverses tailles en insérant les vis à la main.

Sélectionner l'un des types de vis suivants :

**Pour un téléviseur à dos plat :**

- Vis M4 × 12 mm (E)
- Vis M6×12mm (J)
- Vis M8 × 16 mm (L)
- Vis M8 × 20 mm (M)

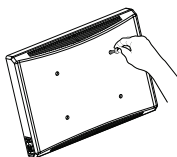
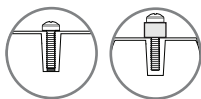
**Pour un téléviseur à dos de forme irrégulière ou obstrué :**

- Vis M4 × 35 mm (F)
- Vis M6 × 35 mm (K)
- Vis M8 × 36 mm (N)

En cas d'utilisation de vis M4, sélectionner la rondelle M4 (G) ou pour les vis M6 ou M8, sélectionner les rondelles M6 ou M8 (H). Pour un téléviseur avec un dos de forme irrégulière ou obstrué, utiliser aussi les entretoises (I)

**ATTENTION :** Pour éviter des blessures potentielles ou des dégâts matériels, vérifier que le filetage est suffisant pour fixer les supports au téléviseur. Arrêter dès qu'une résistance se fait sentir et contacter le service à la clientèle. Utiliser la vis la plus courte et l'entretoise qui correspondent le mieux au téléviseur. L'utilisation d'une visserie trop longue pourrait endommager le téléviseur. Cependant, l'utilisation d'une vis trop courte pourrait provoquer la chute de l'appareil du montage mural.

La vis est de  
taille correcte



La vis est trop  
longue



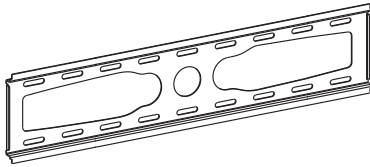
La vis est  
trop courte



- 2 Retirer les vis des orifices au dos du téléviseur.

## ÉTAPE 3 - Fixation des caches en plastique à la plaque murale

Sont également nécessaires

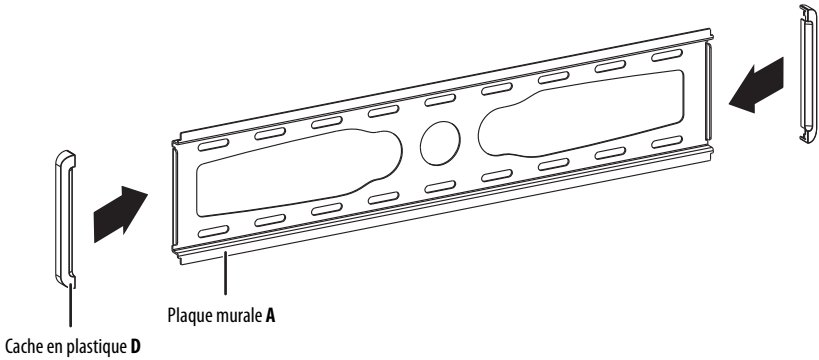


Plaque murale A (1)



Caches en plastique D (2)

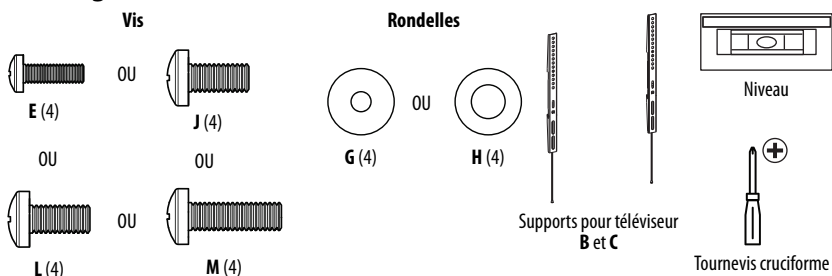
- 1 Insérer les caches de plastique (D) sur les extrémités de la plaque murale (A).



- 2 Pour un téléviseur à dos plat, voir [STEP 4 - Option 1: Attach hardware to a flat back TV](#) à la page 10.  
- OU -  
Pour un téléviseur avec un dos de forme irrégulière ou obstrué, voir [STEP 4 - Option 2: Attach hardware to an irregular or obstructed back TV](#) à la page 12.

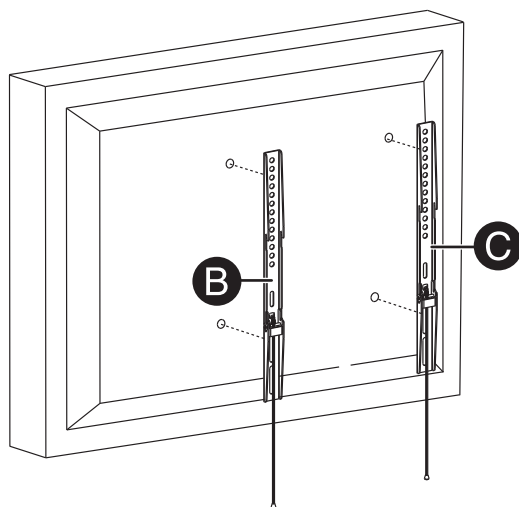
## ÉTAPE 4 - Option 1 : Fixation des ferrures sur un téléviseur à dos plat

Sont également nécessaires

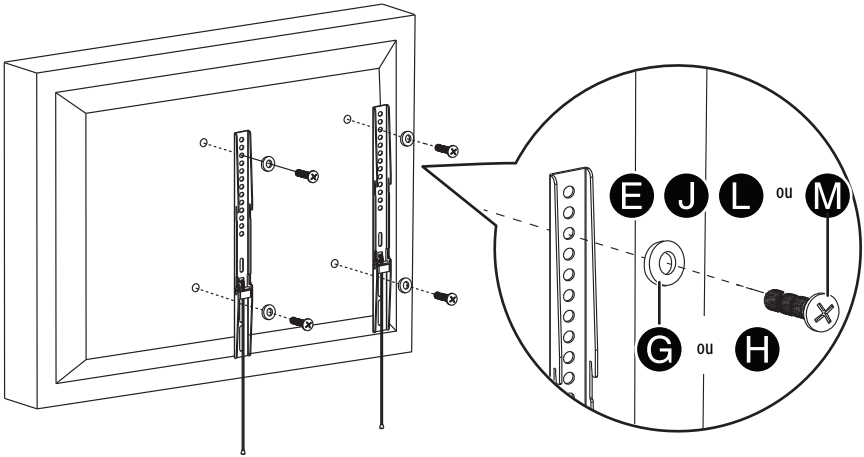


**Remarque :** En cas d'utilisation d'une inclinaison de 5° avec un grand téléviseur (42 po ou plus), il est suggéré d'utiliser les entretoises avec les supports de montage, afin que la partie inférieure du téléviseur ne touche pas le mur.

- 1 Aligner les supports gauche et droit pour téléviseur (**B** et **C**) avec les trous de vis au dos du téléviseur. Vérifier que les supports sont de niveau.

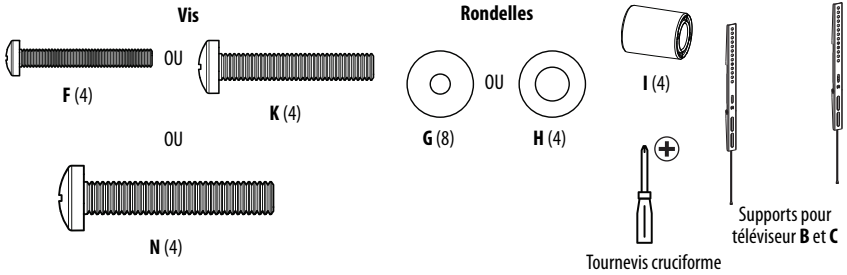


- 2 Placer les rondelles (**G** ou **H**) et les vis (**E**, **J**, **L** ou **M**) dans les trous au dos du téléviseur.
- 3 Serrer les vis jusqu'à ce qu'elles soient fermement contre les supports du téléviseur. Ne pas trop serrer les vis.

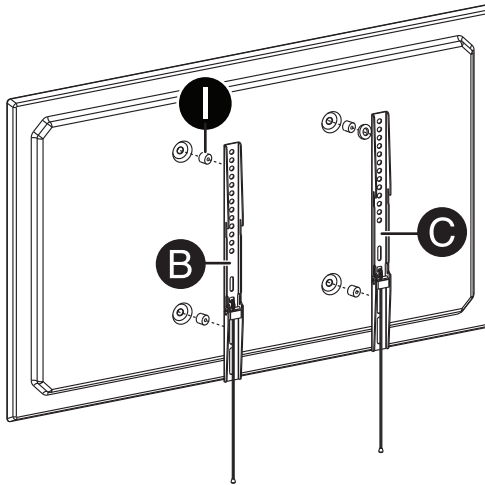


**ÉTAPE 4 - Option 2 : Fixation de la visserie sur un téléviseur à dos de forme irrégulière ou obstrué**

Sont également nécessaires



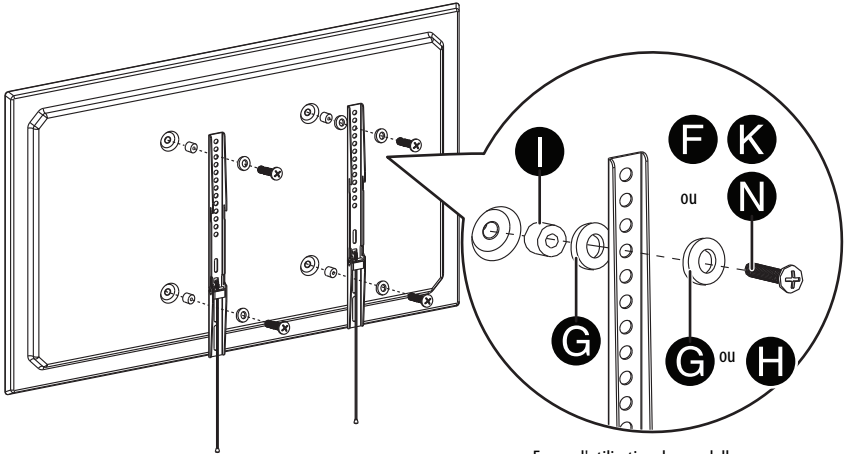
1 Placer les entretoises (I) sur les trous de vis au dos du téléviseur.



2 Aligner les supports gauche et droit pour téléviseur (B et C) avec les trous de vis au dos du téléviseur. Vérifier que les supports sont de niveau.



- 3** En cas d'utilisation de rondelles M4 (**G**) les placer entre les entretoises et les supports pour téléviseur et sur les trous des supports pour téléviseur. En cas d'utilisation de rondelles M6/M8 (**H**), les placer sur les trous des supports pour téléviseur. Insérer les vis (**F**, **K** ou **N**) dans les rondelles, les supports pour téléviseur et les entretoises.
- 4** Serrer les vis jusqu'à ce qu'elles soient fermement contre les supports du téléviseur. Ne pas trop serrer les vis.



En cas d'utilisation des rondelles M4 (**G**) (uniquement), les placer toutes les deux vers l'avant et derrière les supports.

## ÉTAPE 5 - Déterminer l'emplacement du montage mural

Sont également nécessaires



Mètre à ruban



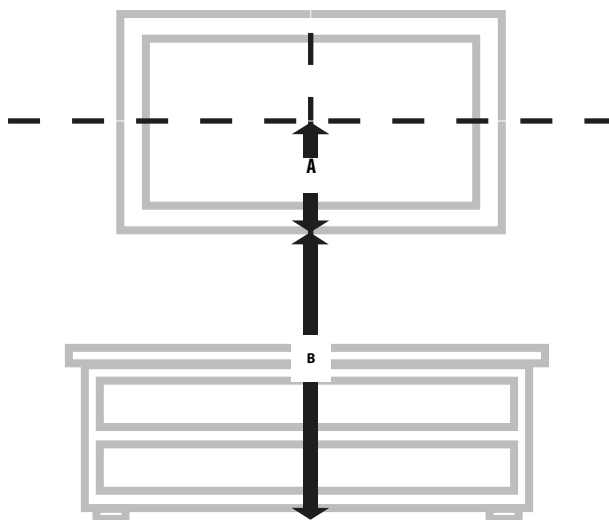
Crayon

**Remarques :**

- Pour de plus amples informations sur comment déterminer où percer les orifices, consulter notre height-finder (Détecteur de hauteur) en ligne sur : <http://mf1.bestbuy.selectionassistant.com/index.php/heightfinder>
- Le téléviseur doit être suffisamment haut afin que les yeux soient de niveau avec le centre de l'écran. Ceci est généralement 40 à 60 po du sol.

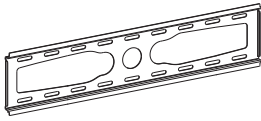
Le centre du téléviseur sera décalé de 0,8 po vers le bas par rapport au centre de la plaque murale sur le support de montage mural. Avant de percer les trous dans le mur :

- 1 Mesurer la distance entre le bas du téléviseur et le point central à mi-chemin entre les orifices de montage supérieurs et inférieurs au dos du téléviseur. C'est la mesure **a**.
- 2 Mesurer la distance à partir du sol jusqu'à l'emplacement souhaité de la partie inférieure du téléviseur sur le mur. Ne pas oublier que la partie inférieure du téléviseur devra être placée au-dessus de tout meuble (tels que les centres de divertissement ou les meubles pour téléviseur). Le téléviseur devra également être placé au-dessus des appareils qui se trouvent sur le meuble (tel qu'un lecteur Blu-ray ou un récepteur câble). C'est la mesure **b**.
- 3 Additionner **a** + **b**. La mesure totale représente la hauteur souhaitée pour l'emplacement du centre de la plaque murale sur le mur.
- 4 Utiliser un crayon pour repérer ce point sur le mur.



## ÉTAPE 6 - Option 1 : Installation sur un mur à montants en bois

Sont également nécessaires



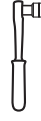
Plaque murale (A)



O (4)



Crayon



Clé à douille de 1/2 po



Perceuse



P (4)



Détecteur de montants  
bord à bord



Niveau

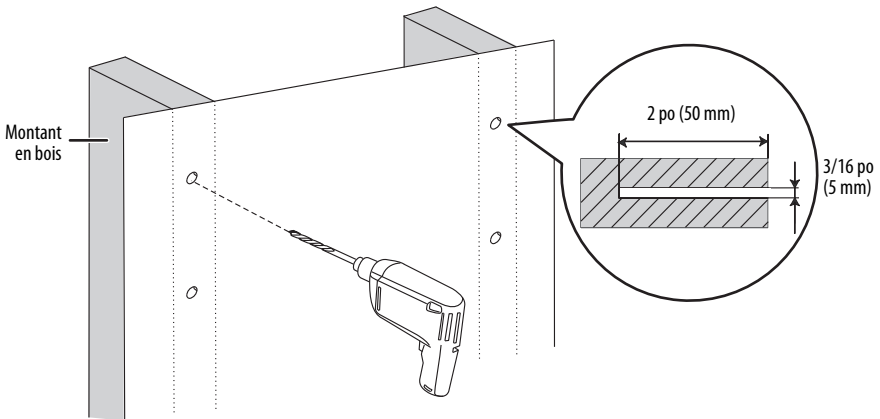


Forets à bois de 3/16 po

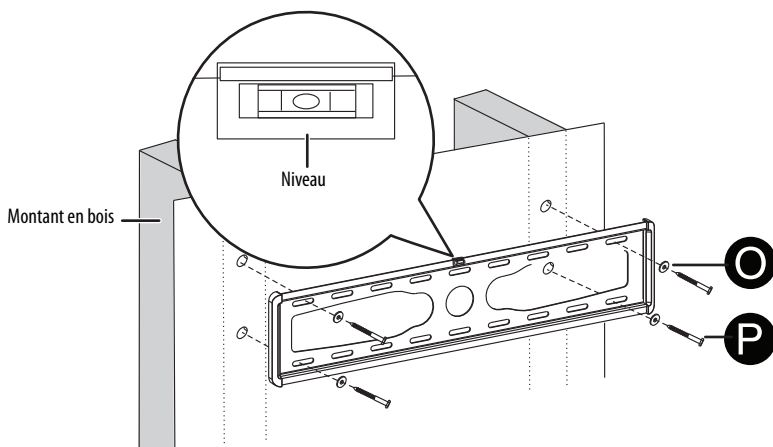
**Remarque :** L'épaisseur de la cloison sèche recouvrant le mur ne doit pas dépasser 5/8 po (16 mm).

- 1 Repérer les montants. Localiser les centres du montant avec un détecteur de montants bord à bord.
- 2 Aligner l'armature de montage (A) avec la hauteur déterminée à l'étape précédente et vérifier qu'elle soit de niveau, puis utiliser un crayon pour repérer les trous de montage (O) sur les centres des montants. Enlever la plaque murale (A).
- 3 Pré-percer les orifices sur une profondeur de 2 po (50 mm) à l'aide d'une mèche de 3/16 po (5 mm) de diamètre.

- Taille minimale d'un montant en bois : standard 2 x 4 po. (51 x 102 mm) nominale 1 1/2 x 3 1/2 po (38 x 89 mm)
- L'espacement minimal entre les dispositifs de fixation horizontaux ne doit pas être inférieur à 16 po (40 cm)



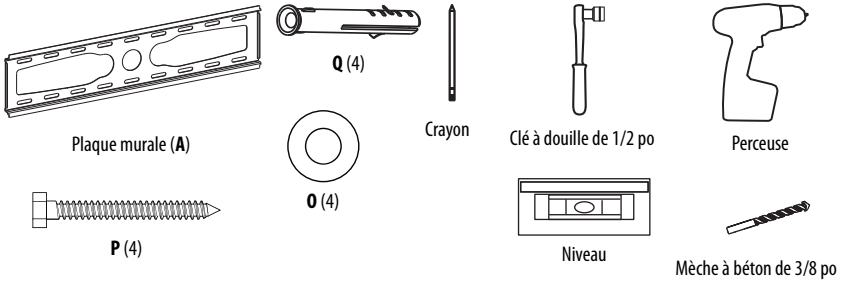
- 4 Aligner la plaque murale (A) avec les trous pré-perçés, insérer les tire-fonds (P) dans les rondelles pour tire-fonds (O) et dans les trous de la plaque murale. Ne serrer les tire-fonds que lorsqu'ils sont fixés fermement contre la plaque murale.



**ATTENTION :** Éviter les blessures potentielles ou les dégâts matériels! NE PAS trop serrer les tire-fonds (P).

## ÉTAPE 6 - Option 2 : Montage sur un mur en béton ou en blocs de béton

Sont également nécessaires



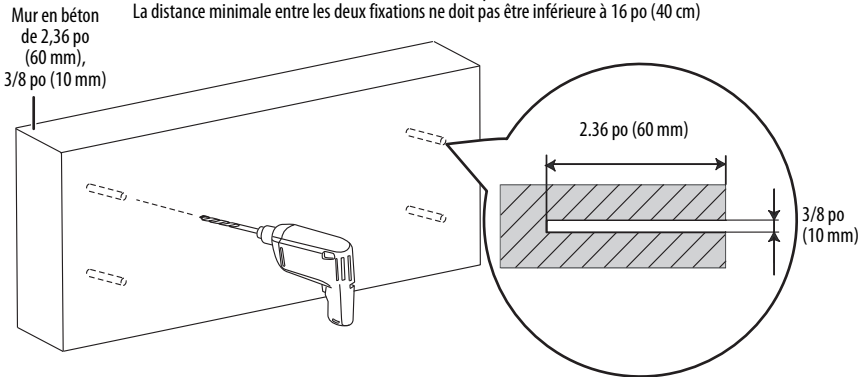
**ATTENTION :** Pour éviter des dégâts matériels ou des blessures, ne jamais forer dans le mortier entre les blocs. Fixer la plaque murale directement sur la surface en béton.

- 1 Aligner la plaque murale (A) avec la hauteur déterminée à l'étape précédente et vérifier qu'elle soit de niveau, puis utiliser un crayon pour repérer l'emplacement des trous de montage des tire-fonds (4). Enlever la plaque murale (A).
- 2 Pré-percer les trous à une profondeur de 2,36 po (60 mm) à l'aide d'une mèche à béton pour perceuse d'un diamètre de 3/8 po (10 mm).

\* Épaisseur minimale du mur en béton : 8 po (203 mm).

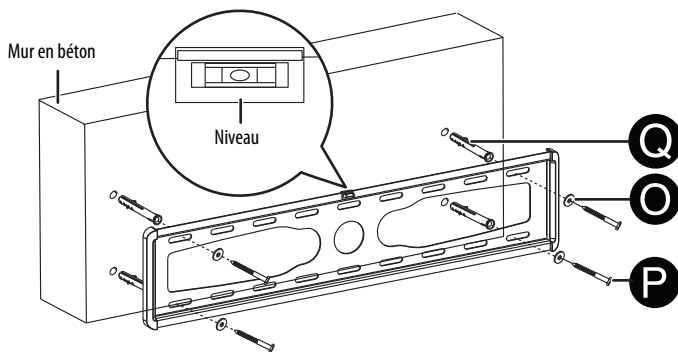
\* Taille minimale du bloc de béton : 8 x 8 x 16 po (203 x 203 x 406 mm).

La distance minimale entre les deux fixations ne doit pas être inférieure à 16 po (40 cm)



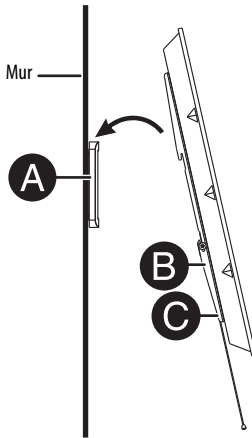
- 3 Insérer les chevilles murales à béton (**Q**) dans les trous pré-perçés et utiliser le marteau pour être sûr que les chevilles sont au ras de la surface en béton.
- 4 Aligner la plaque murale (**A**) avec les chevilles, insérer les tire-fonds (**P**) dans les rondelles pour tire-fonds (**O**) et dans les trous de la plaque murale. Ne serrer les tire-fonds que lorsqu'ils sont fixés fermement contre la plaque murale.

**ATTENTION :** Éviter les blessures potentielles ou les dégâts matériels! NE PAS trop serrer les tire-fonds (**P**).



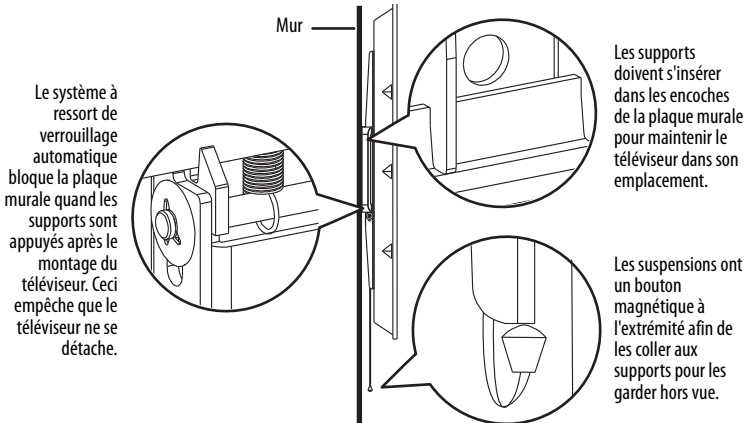
## ÉTAPE 7 - Fixation du téléviseur à la plaque murale

- 1 Placer les supports pour téléviseur (**B** et **C**) dans les encoches de la plaque murale (**A**).

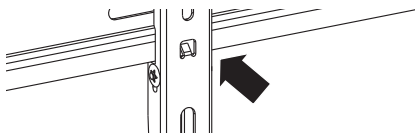


**OBJET LOURD!** De l'aide sera nécessaire pour cette étape.

- 2 Pousser la partie inférieure du téléviseur vers le mur jusqu'à ce que le cliquet de verrouillage s'enclenche dans sa position.

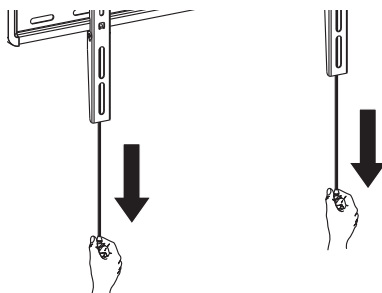


- 3 Après avoir monté le téléviseur, appuyer les supports sur la plaque murale pour verrouiller le montage de la plaque.



## Si pour une raison quelconque il est nécessaire de retirer le téléviseur de la plaque murale

- 1 Tenir le téléviseur par la bordure inférieure, tirer vers le bas sur les dispositifs de sécurité, puis tirer la partie inférieure du téléviseur pour l'extraire du mur.



- 2 Relâcher les dispositifs de sécurité et soulever la partie supérieure du téléviseur pour l'enlever du support mural.



**OBJET LOURD!** De l'aide sera nécessaire pour cette étape.



# GARANTIE LIMITÉE D'UN AN

## Description :

Le distributeur\* de produits de la marque Dynex garantit au premier acheteur de ce produit neuf de la marque Dynex (« Produit »), qu'il est exempt de défauts de fabrication et de main-d'oeuvre à l'origine, pour une période d'un (1) an à partir de la date d'achat du Produit (« Période de garantie »).

Cette garantie ne s'applique que si le produit a été acheté aux États-Unis ou au Canada auprès d'un détaillant de la marque Best Buy ou sur les sites [www.bestbuy.com](http://www.bestbuy.com) ou [www.bestbuy.ca](http://www.bestbuy.ca) et qu'il a été emballé avec cette déclaration de garantie.

## Quelle est la durée de la couverture?

La Période de garantie dure un an (365 jours) à compter de la date d'achat de ce Produit. La date d'achat est imprimée sur le reçu fourni avec le Produit.

## Que couvre cette garantie?

Pendant la Période de garantie, si un vice de matériau ou de main-d'oeuvre d'origine est détecté sur le Produit par un service de réparation agréé par Dynex ou le personnel du magasin, Dynex (à sa seule discrétion) : (1) réparera le Produit en utilisant des pièces détachées neuves ou remises à neuf; ou (2) remplacera le Produit par un produit ou des pièces neuves ou remises à neuf de qualité comparable. Les produits et pièces remplacés au titre de cette garantie deviennent la propriété de Dynex et ne sont pas retournés à l'acheteur. Si les Produits ou pièces nécessitent une réparation après l'expiration de la Période de garantie, l'acheteur devra payer tous les frais de main-d'oeuvre et les pièces. Cette garantie reste en vigueur tant que l'acheteur reste propriétaire du Produit Dynex pendant la Période de garantie. La garantie prend fin si le Produit est revendu ou transféré d'une quelconque façon que ce soit à tout autre propriétaire.

## Comment obtenir une réparation sous garantie?

Si le produit a été acheté dans un magasin Best Buy, ou sur un site Web de Best Buy ([www.bestbuy.com](http://www.bestbuy.com) ou [www.bestbuy.ca](http://www.bestbuy.ca)), ramener le produit accompagné de la preuve d'achat originale et le produit dans n'importe quel magasin Best Buy. Prendre soin de remettre le Produit dans son emballage d'origine ou dans un emballage qui procure la même qualité de protection que celui d'origine.

Afin d'obtenir le service de la garantie, appeler le 1-800-305-2204 pour les États-Unis et Canada. L'assistance technique établira un diagnostic et corrigera le problème au téléphone.

## Où cette garantie s'applique-t-elle?

Cette garantie n'est applicable qu'aux États-Unis et au Canada dans un magasin de la marque Best Buy ou leurs sites Internet à l'acheteur original du Produit dans le pays où il a été effectué.

## Ce qui n'est pas couvert par cette garantie limitée

La présente garantie ne couvre pas :

- la formation du client;
- l'installation;
- les réglages de configuration;
- les dommages esthétiques;
- les dommages résultants des intempéries, de la foudre et d'autres catastrophes naturelles telles que les surtensions;
- les dégâts matériels
- une utilisation inadaptée;
- une manipulation abusive;
- la négligence;
- une utilisation commerciale, y compris mais sans s'y limiter, l'utilisation dans un centre commercial ou dans les parties communes d'immeubles en copropriété ou d'immeubles d'appartements, ainsi que tout endroit autre qu'un domicile privé;
- la modification de tout ou partie du Produit, y compris l'antenne;

- un écran endommagé par les images fixes (sans mouvement) qui restent affichées pendant de longues périodes (rémanentes);
- les dommages ayant pour origine une utilisation ou une maintenance défectueuse;
- la connexion à une source électrique dont la tension est inadéquate;
- la tentative de réparation par toute personne non agréée par Dynex pour réparer le Produit;
- les produits vendus « en l'état » ou « hors service »;
- les consommables, y compris mais sans s'y limiter les piles ou batteries (AA, AAA, C etc.);
- les produits dont le numéro de série usine a été altéré ou enlevé;
- la perte ou vol de ce produit ou de tout élément le composant;
- les écrans où les trois (3) premiers pixels défectueux (points noirs ou incorrectement allumés) groupés dans une surface inférieure à un dixième (1/10) de celle de l'écran, ou un maximum de cinq (5) pixels défectueux sur toute la surface de l'écran. (les écrans comportant des pixels peuvent contenir un nombre limité de pixels défectueux);
- les défauts ou dommages causés par tout contact, mais sans s'y limiter, avec des liquides, gels ou pâtes.

LA RÉPARATION OU LE REMPLACEMENT, TELS QU'OFFERTS PAR LA PRÉSENTE GARANTIE, CONSTITUENT LE SEUL RECOURS DE L'ACHETEUR POUR TOUTE VIOLATION DE GARANTIE. DYNEX NE SAURAIT ÊTRE TENU POUR RESPONSABLE DE DOMMAGES ACCESSOIRES OU CONSÉCUTIFS, RÉSULTANT DE L'INEXÉCUTION D'UNE GARANTIE EXPRESSE OU IMPLICITE SUR CE PRODUIT, Y COMPRIS, SANS S'Y LIMITER, LA PERTE DE DONNÉES, L'IMPOSSIBILITÉ D'UTILISER LE PRODUIT, L'INTERRUPTION D'ACTIVITÉ OU LA PERTE DE PROFITS. DYNEX PRODUCTS N'OCTROIE AUCUNE AUTRE GARANTIE EXPRESSE RELATIVE À CE PRODUIT; TOUTES LES GARANTIES EXPRESSES OU IMPLICITES POUR CE PRODUIT, Y COMPRIS, MAIS SANS LIMITATION, TOUTE GARANTIE DE QUALITÉ MARCHANDE, D'ADÉQUATION À UN BUT PARTICULIER, SONT LIMITÉES À LA PÉRIODE DE GARANTIE APPLICABLE TELLE QUE DÉCRITE CI-DESSUS ET AUCUNE GARANTIE EXPRESSE OU IMPLICITE NE S'APPLIQUERA APRÈS LA PÉRIODE DE GARANTIE. CERTAINS ÉTATS, PROVINCES ET JURIDICTIONS NE RECONNAISSENT PAS LES LIMITATIONS DE LA DURÉE DE VALIDITÉ DES GARANTIES IMPLICITES. PAR CONSÉQUENT, LES LIMITATIONS SUSMENTIONNÉES PEUVENT NE PAS S'APPLIQUER À L'ACHETEUR ORIGINAL. LA PRÉSENTE GARANTIE DONNE À L'ACHETEUR DES GARANTIES JURIDIQUES SPÉCIFIQUES; IL PEUT AUSSI BÉNÉFICIER D'AUTRES GARANTIES QUI VARIENT D'UN ÉTAT OU D'UNE PROVINCE À L'AUTRE.

Pour contacter Dynex :

**1-800-305-2204**

[www.dynexproducts.com](http://www.dynexproducts.com)

DYNEX est une marque de commerce de Best Buy et de ses affiliés.

\* Distribué par Best Buy Purchasing, LLC

7601 Penn Ave. South, Richfield, MN 55423 É.-U.

© 2020 Best Buy. Tous droits réservés

# DYNEX™

**For product inquiries, please contact us with the information below:**

**1-800-305-2204**

**[www.dynexproducts.com](http://www.dynexproducts.com)**

DYNEX is a trademark of Best Buy and its affiliated companies.

Distributed by Best Buy Purchasing, LLC

7601 Penn Ave South, Richfield, MN 55423 U.S.A.

©2020 Best Buy. All rights reserved.

**Pour toute information sur le produit, nous contacter avec les informations ci-après :**

**1 800 305-2204**

**[www.dynexproducts.com](http://www.dynexproducts.com)**

DYNEX est une marque de commerce de Best Buy et de ses affiliés.

Distribuée par Best Buy Purchasing, LLC

7601 Penn Ave. South, Richfield, MN 55423 É.-U.

© 2020 Best Buy. Tous droits réservés.

ENGLISH/FRANÇAIS

V4 20-0198