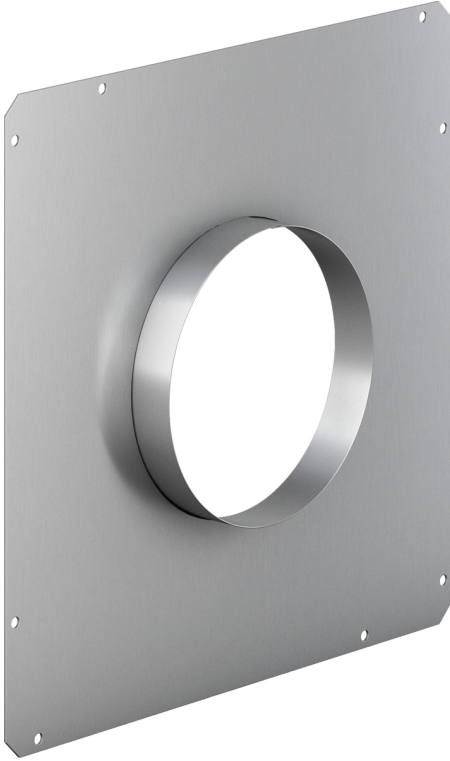


installation accessory
HDDFTRAN6



6" Front Rough-In Plate Enable Ducting To Be At Front Of Dnwdraft, For Use With Inline And Remote Blower Applications

- **6" Round Front Rough-In Plate**
- **Ability To Use With DHG6105NUC Inline or DHG6023RUC Remote Blowers**

Product group: Accessory
Brand: Bosch
Product name / series name:
SKU: HDDFTRAN6
Internal article number: 00000000000777714
EAN code: 4242002915784
Product Packaging Dimensions (HxWxD): 2.49 x 13.37 x 13.24
Net Weight: 2.000 lbs
Gross Weight: 3.000 lbs
Quantity per packing unit:
Standard number of units per pallet: 60
UPC code: 825225921172



installation accessory
HDDFTRAN6

**6" Front Rough-In Plate Enable Ducting To
Be At Front Of Downdraft, For Use With
Inline And Remote Blower Applications**

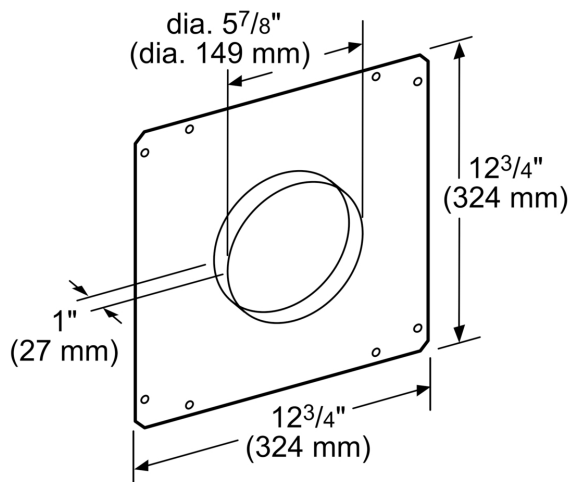
Design

- 6" Round Front Rough-In Plate

Performance

- Ability To Use With DHG6105NUC Inline or DHG6023RUC Remote
Blowers

installation accessory
HDDFTRAN6



measurements in inches (mm)