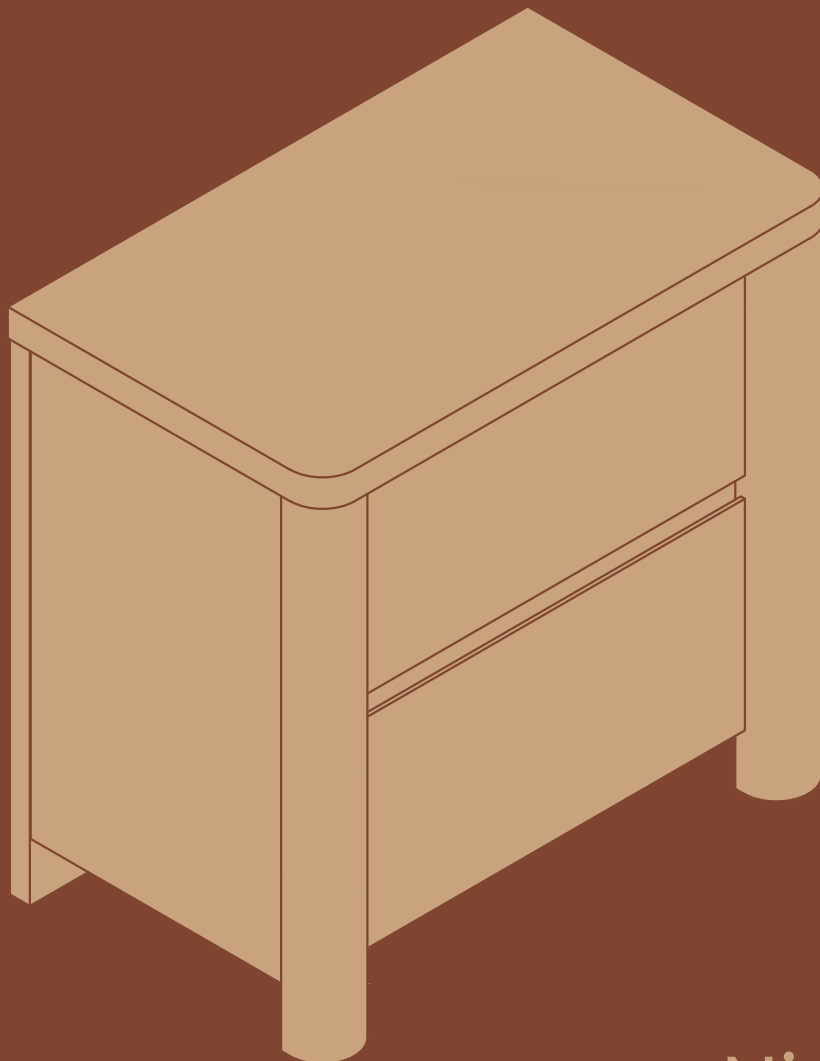


ASSEMBLY INSTRUCTION



Nightstand

CATALOGUE

| | |
|--------------------|-------|
| Precautions | 01 |
| Parts List | 02 |
| Hardware List | 03 |
| Tool List | 04 |
| Assembling Process | 05-18 |

INTRODUCTION

Thank you for purchasing our products. Please read the instructions carefully before installation and keep it in a safe place for future reference. If you need any assistance or support, please feel free to contact our customer support team.

PRECAUTIONS

This package contains numerous components and hardware pieces. Please identify and verify all parts against the parts list before you begin assembly.

WARNING: Choking Hazard. This product contains small items. Keep all parts and hardware out of the reach of children during assembly.

To prevent scratches, assemble the product on a soft, non-abrasive surface such as a carpet, blanket, or the flattened cardboard packaging.

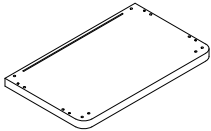
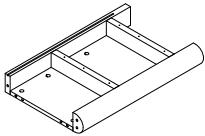
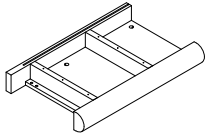
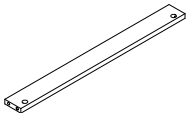
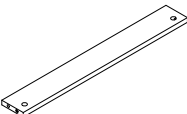
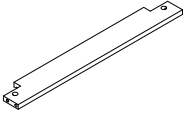
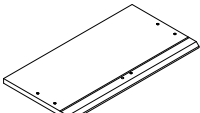
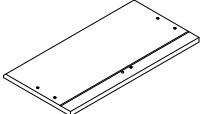
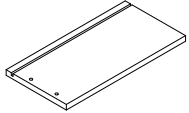
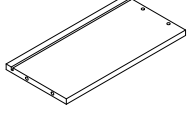
Some components are heavy. For safety, we recommend this product be assembled by two adults.

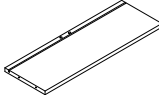
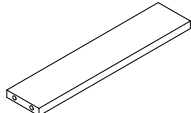
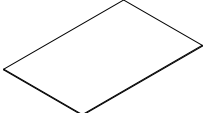
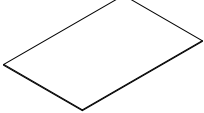
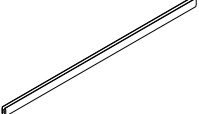
The unit may be unstable until assembly is fully complete. Do not move the product until all steps are finished.

If you encounter any issues or have questions, please contact our customer service team for assistance.






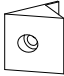
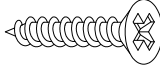

- * **Please be sure to follow the installation steps in the manual to avoid unnecessary losses caused by improper installation.**
- * **If you need further assistance, please contact the customer service online.**

Parts List

| ID | Parts | QTY |
|----|---|-----|
| 1 |  | 1 |
| 2 |  | 1 |
| 3 |  | 1 |
| 4 |  | 1 |
| 5 |  | 1 |
| 6 |  | 1 |
| 7 |  | 1 |
| 8 |  | 1 |
| 9 |  | 2 |
| 10 |  | 2 |

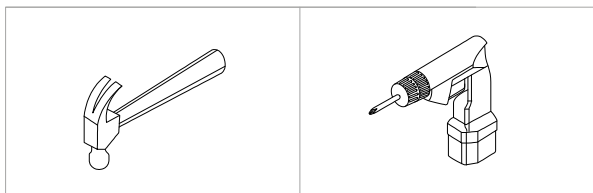
| ID | Parts | QTY |
|----|---|-----|
| 11 |  | 2 |
| 12 |  | 2 |
| 13 |  | 2 |
| 14 |  | 2 |
| 15 |  | 1 |

Hardware List

| ID | Parts | QTY |
|----------|--|------|
| A |  A technical drawing of a standard flat washer with a hexagonal hole in the center. | 20+2 |
| B |  A technical drawing of a standard screw with a hexagonal head and a threaded shaft. | 20+2 |
| C |  Ø6*30mm A technical drawing of a smooth cylindrical pin. | 4+1 |
| D |  Ø8*30mm A technical drawing of a smooth cylindrical pin with a larger diameter than part C. | 16+2 |
| E |  Ø8*M4*30mm A technical drawing of a screw with a hexagonal head and a threaded shaft, featuring a wider thread pitch. | 10+1 |
| F |  Ø7*Ø3.5*12mm A technical drawing of a screw with a hexagonal head and a threaded shaft, featuring a smaller diameter and shorter length. | 24+2 |
| G |  A technical drawing of a square washer with a circular hole in the center. | 10+1 |
| H |  Ø5.8*M3*16mm A technical drawing of a screw with a hexagonal head and a threaded shaft, featuring a smaller diameter and shorter length. | 10+1 |
| I |  A technical drawing showing four screws of different sizes and orientations, likely representing a variety pack. | 2 |

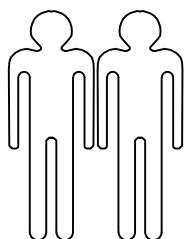
Tool List

Required Tools (Not Included)

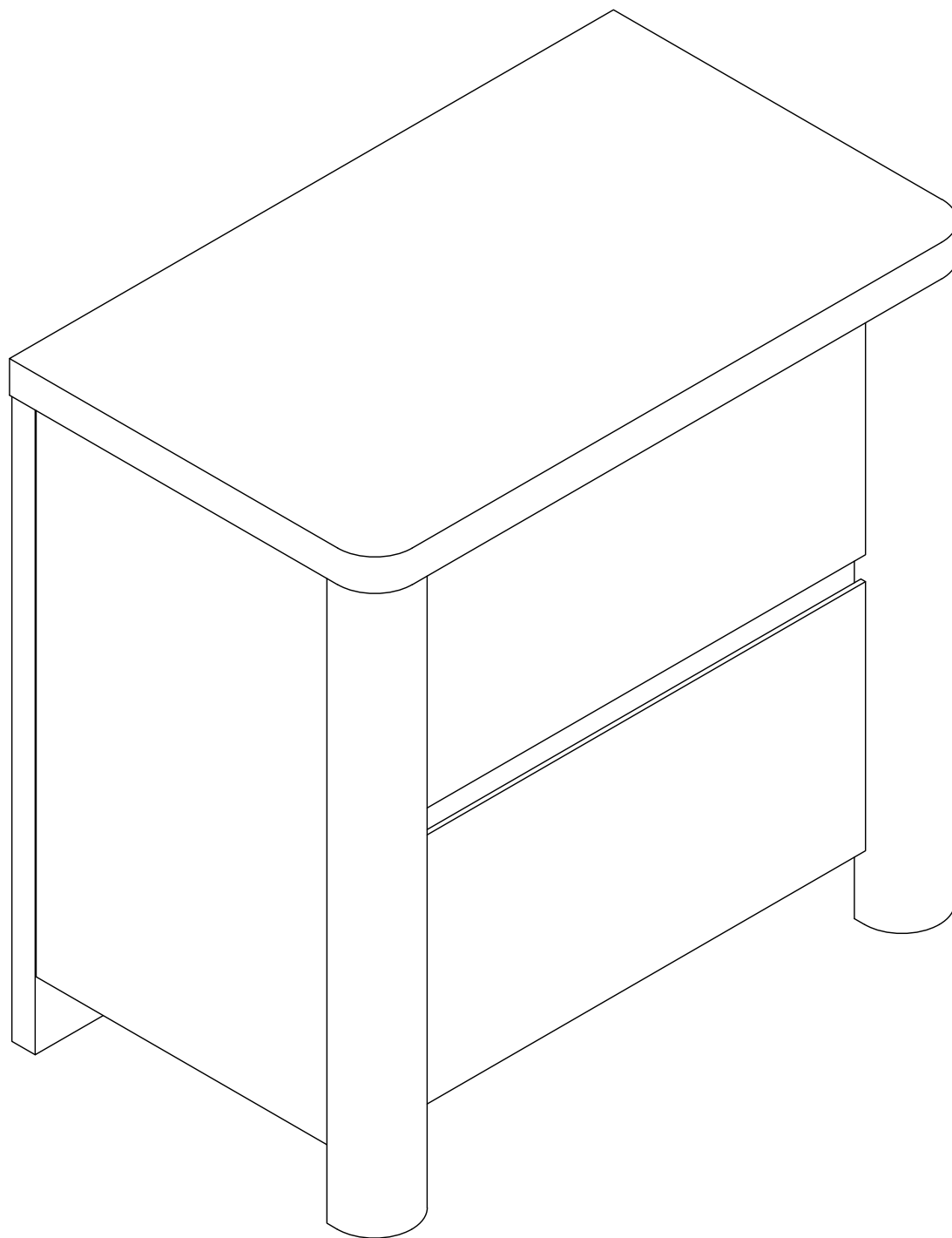


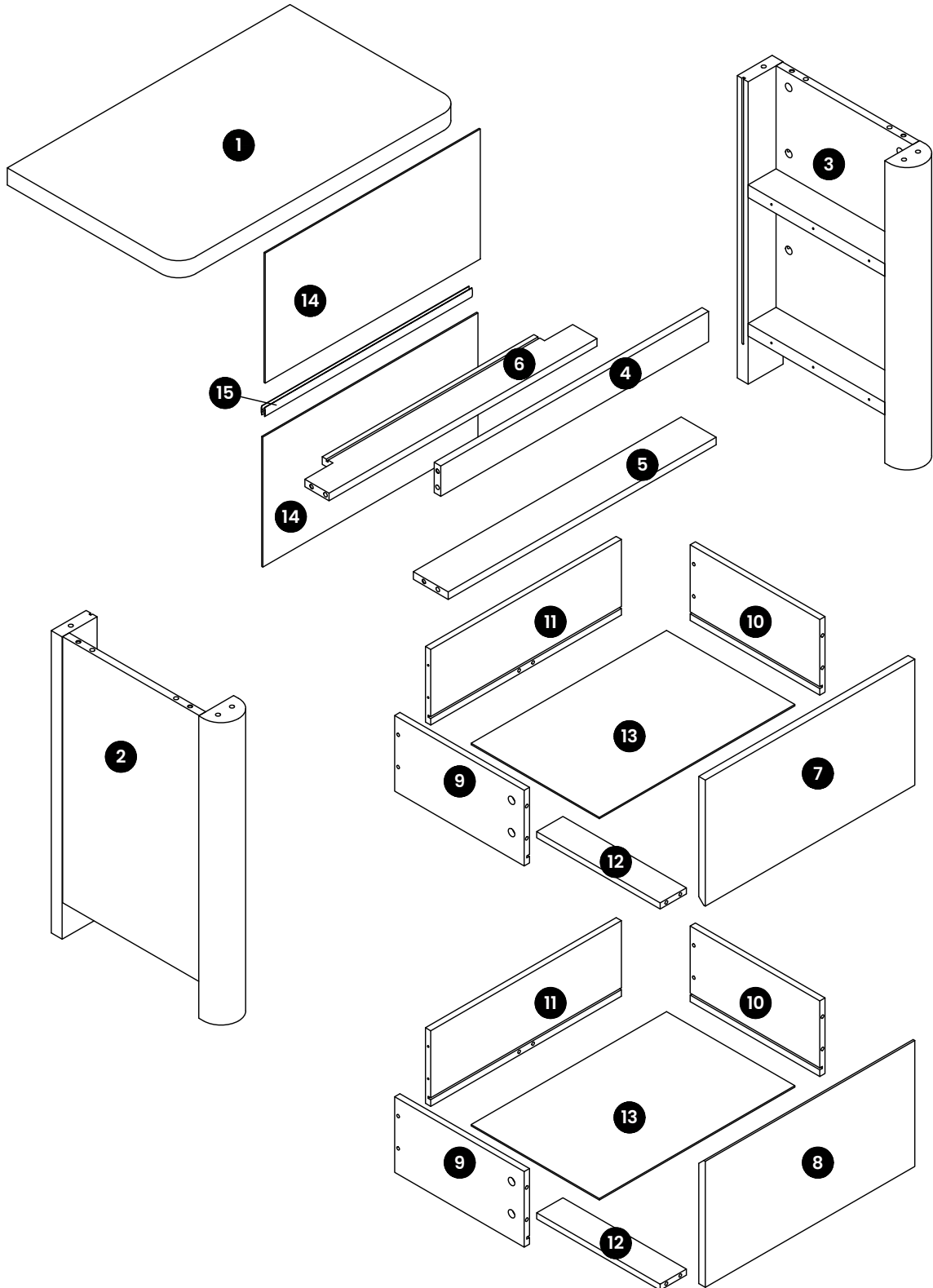
Wall mounting only

These tools are not required for product assembly.

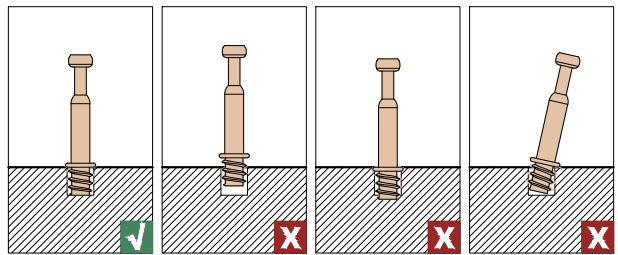
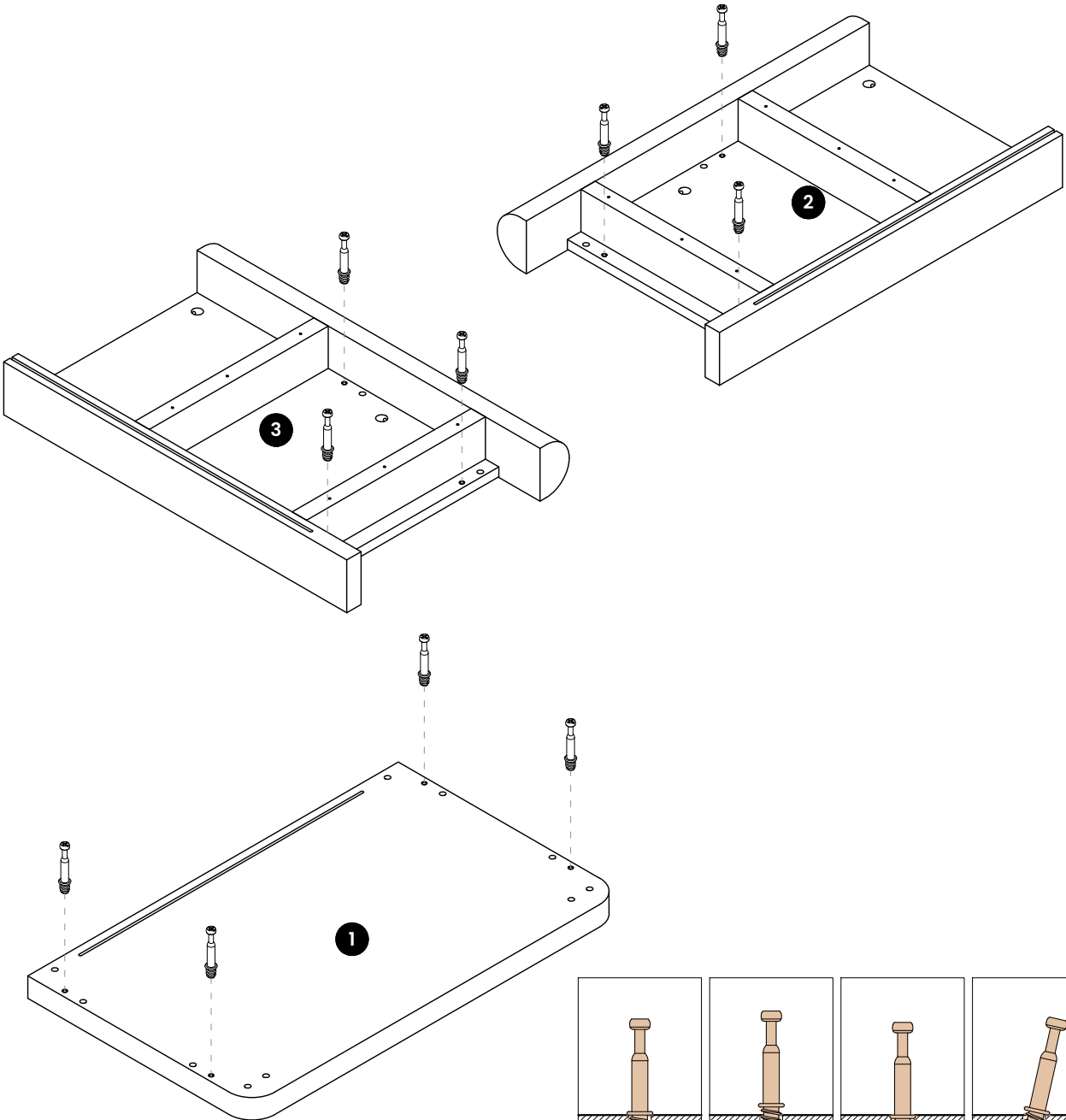


Multi-person installation







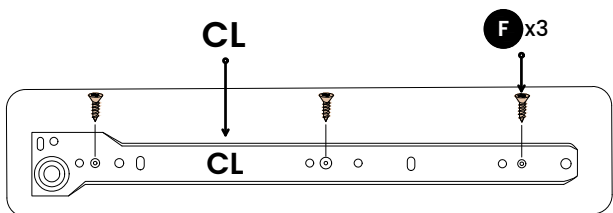
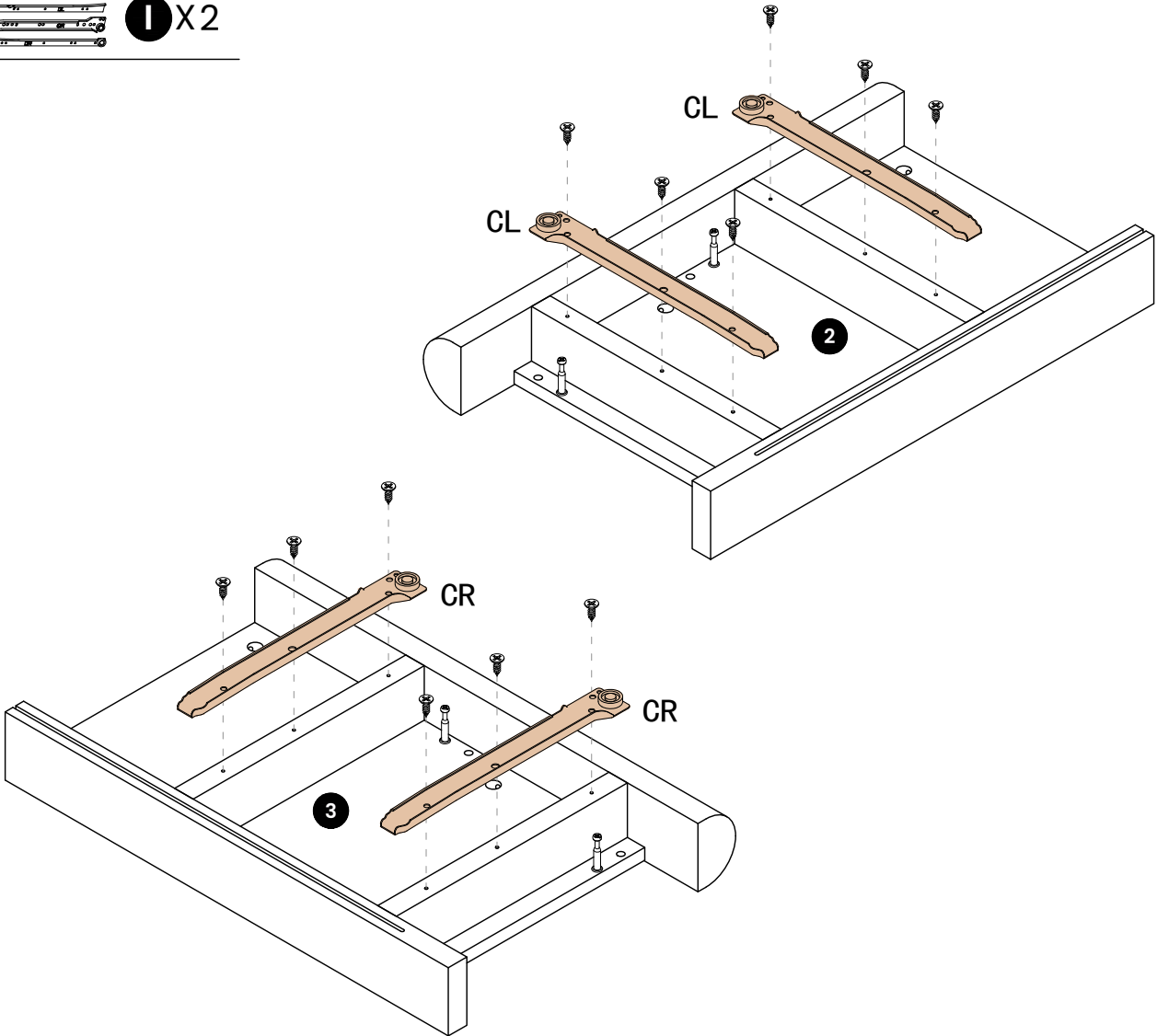
STEP 1




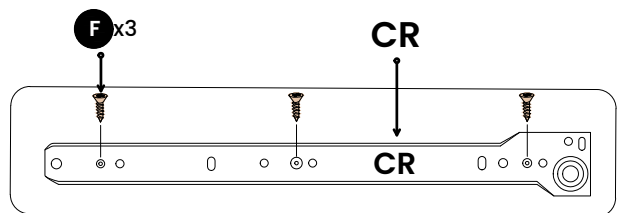
Install the screw correctly to secure the screw.

STEP 2

-  **F** X12
-  **I** X2



 Pay attention to the position of the screws



Pay attention to the position of the screws 

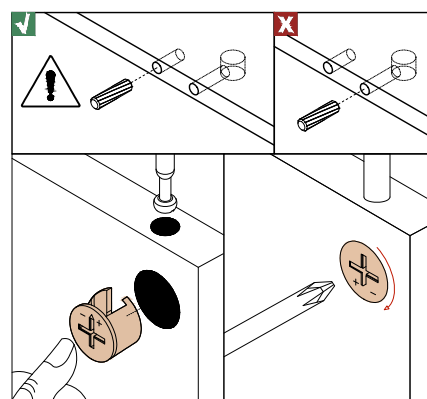
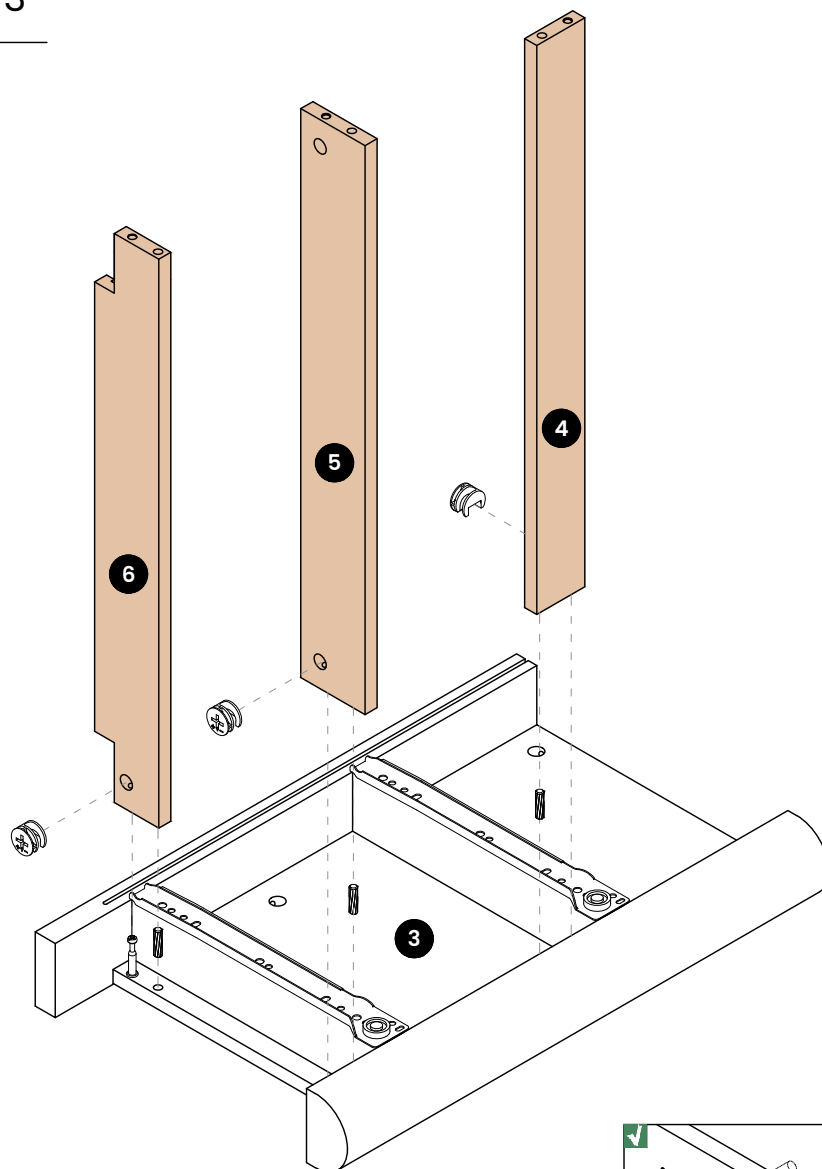
STEP 3



A X3



D X3



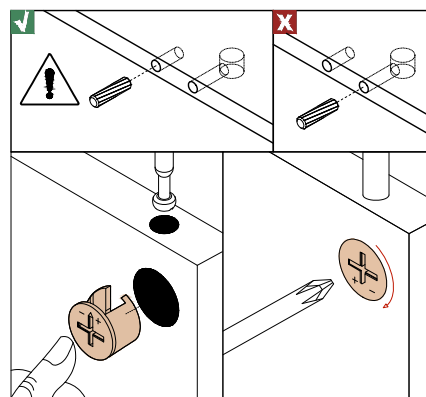
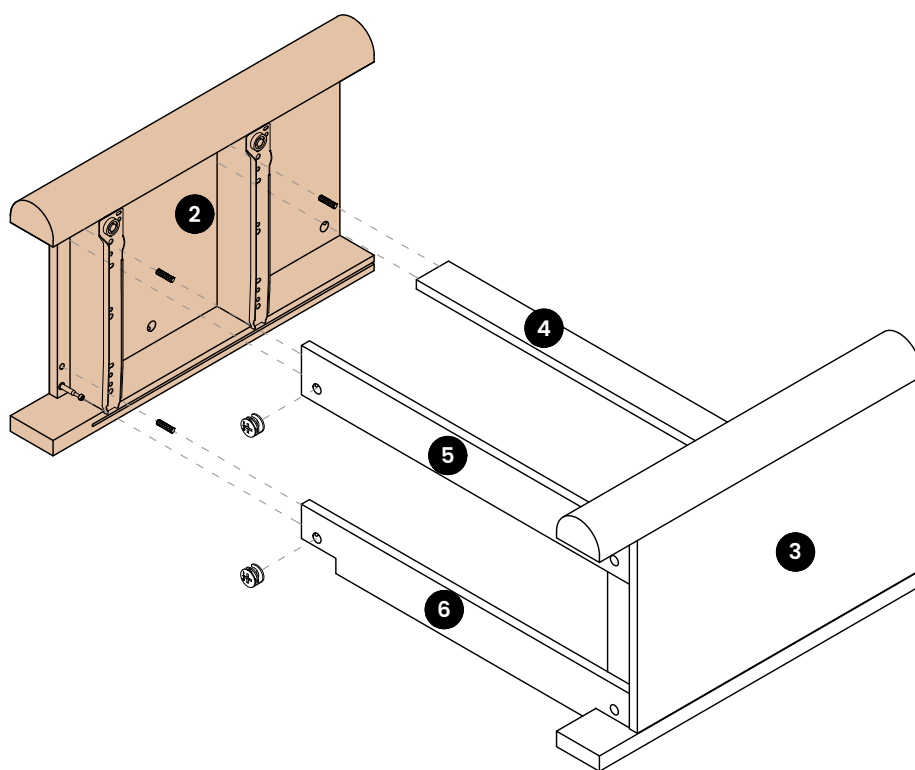
STEP 4



A X2



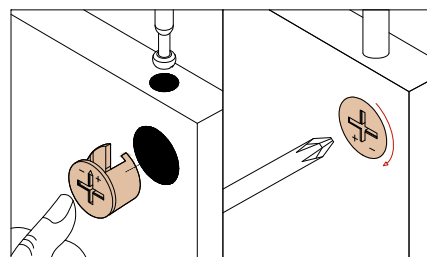
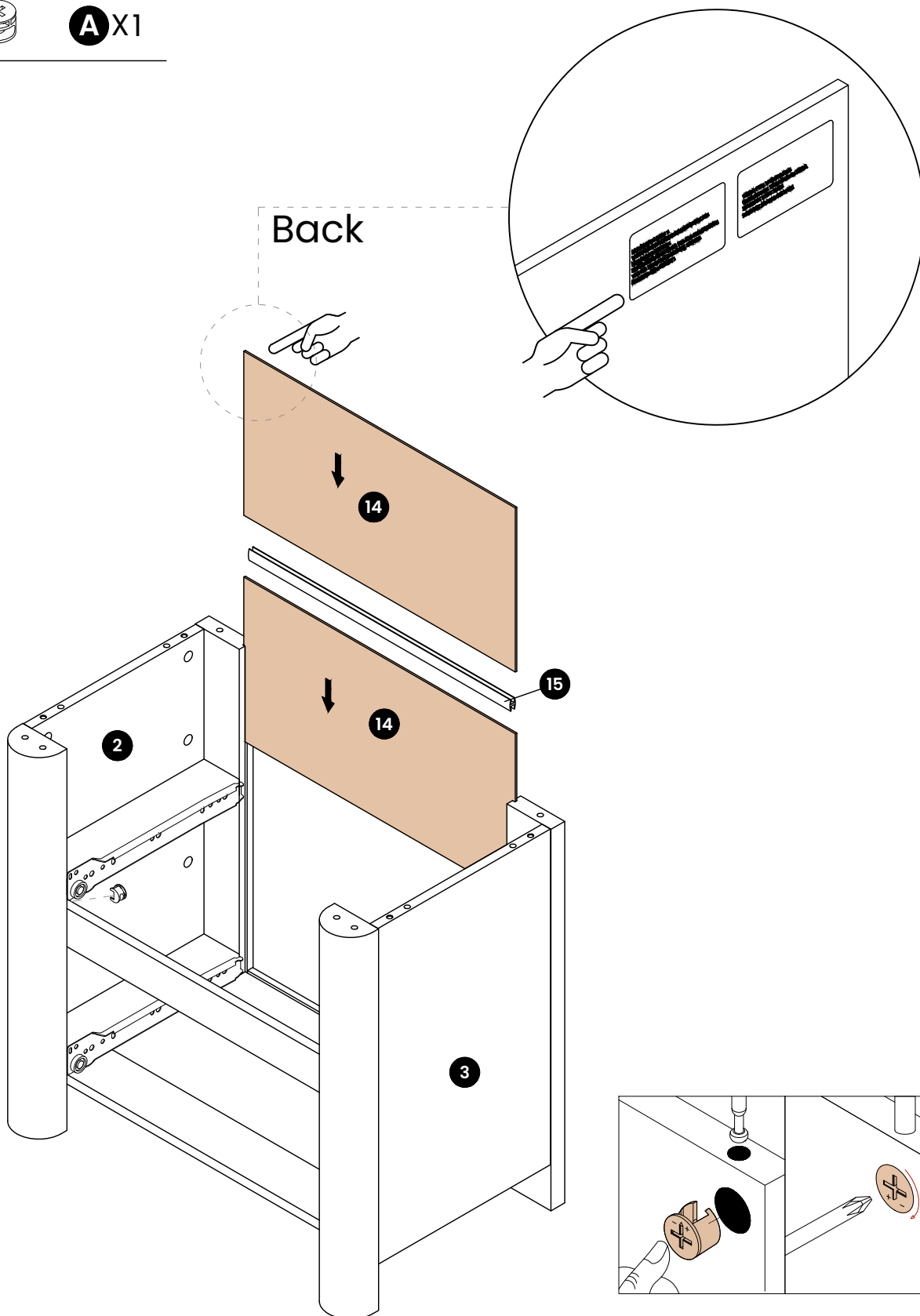
D X3



STEP 5



A X1



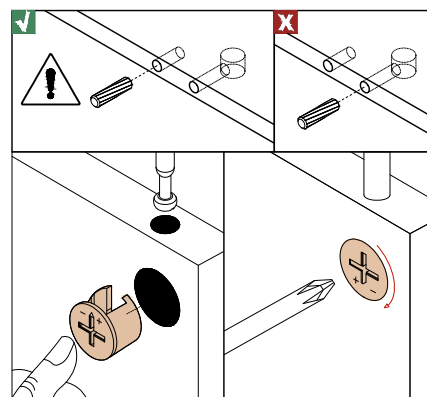
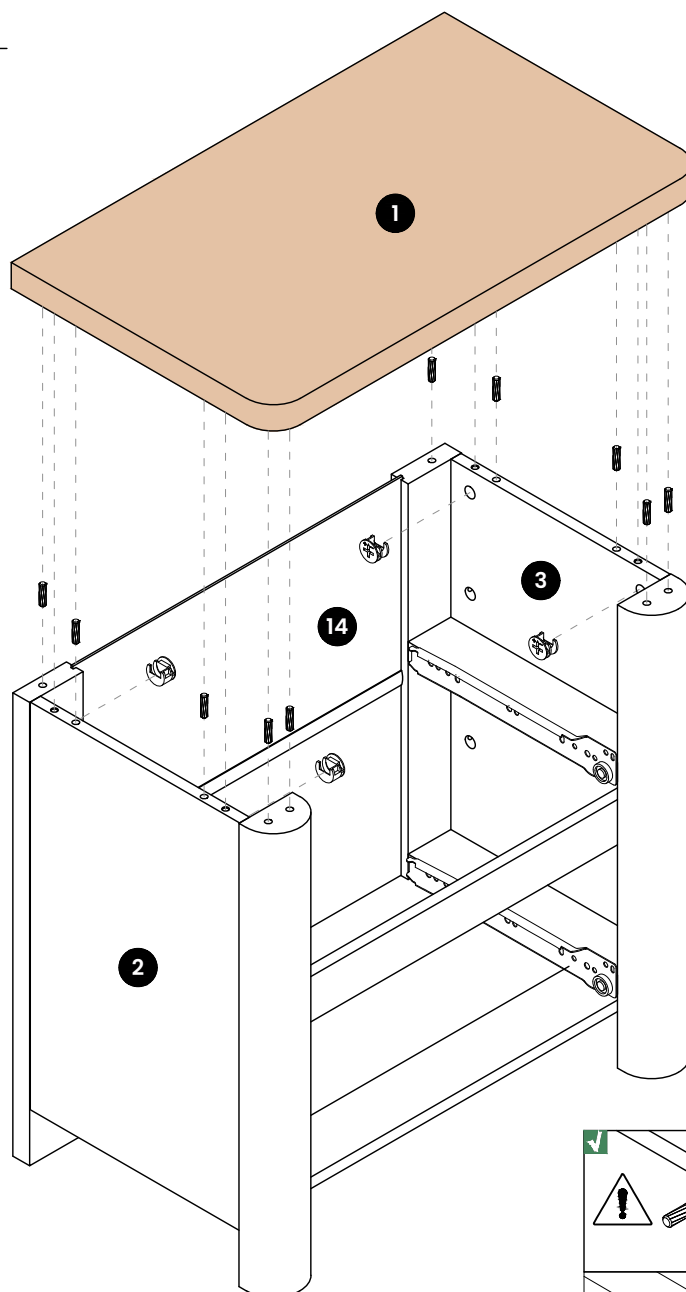
STEP 6



A X4



D X10



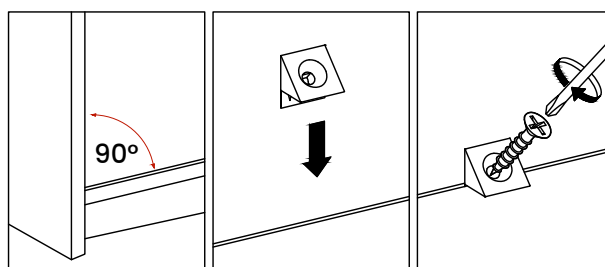
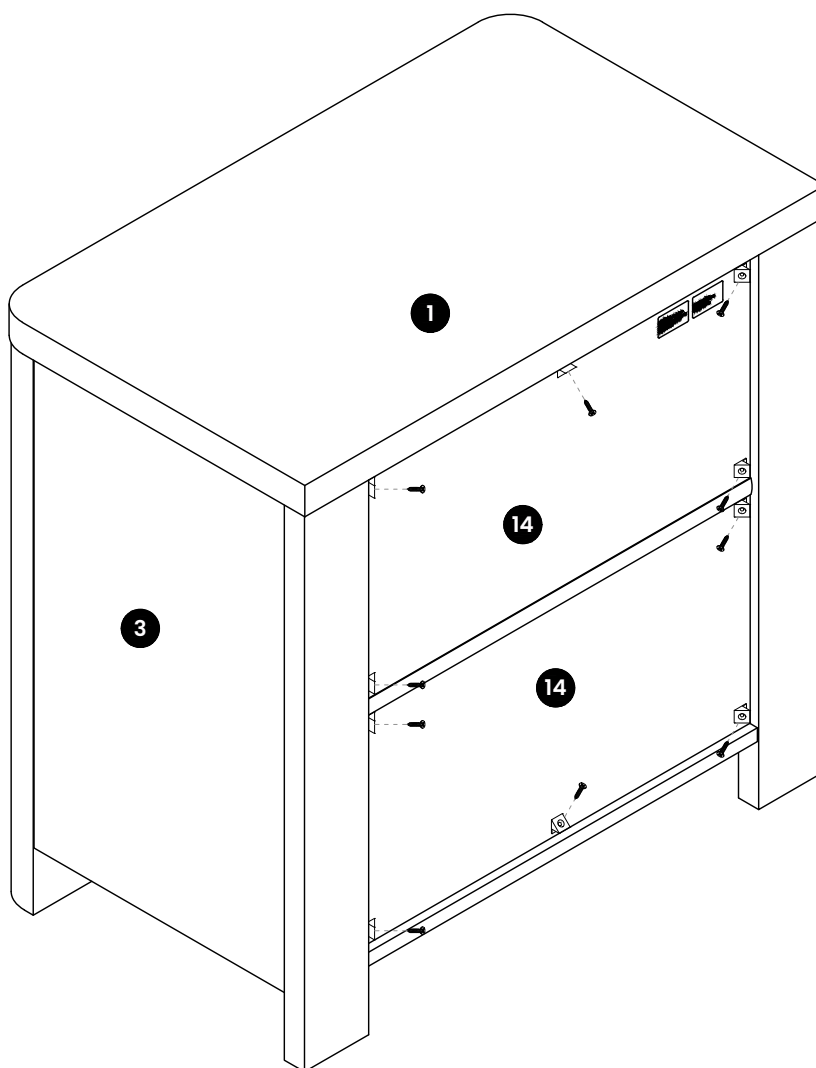
STEP 7



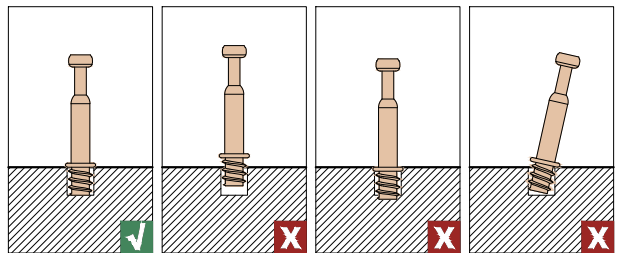
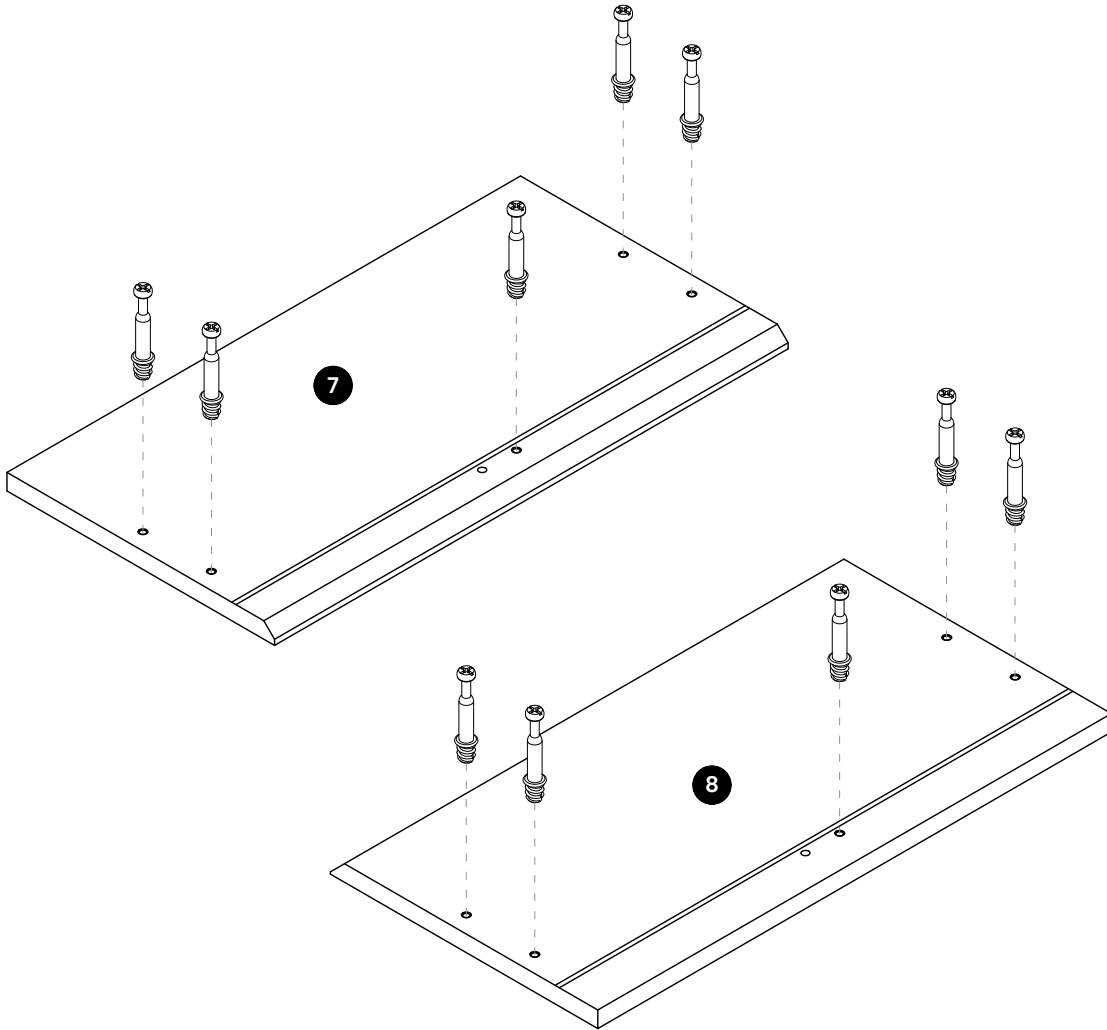
GX10



HX10



STEP 8

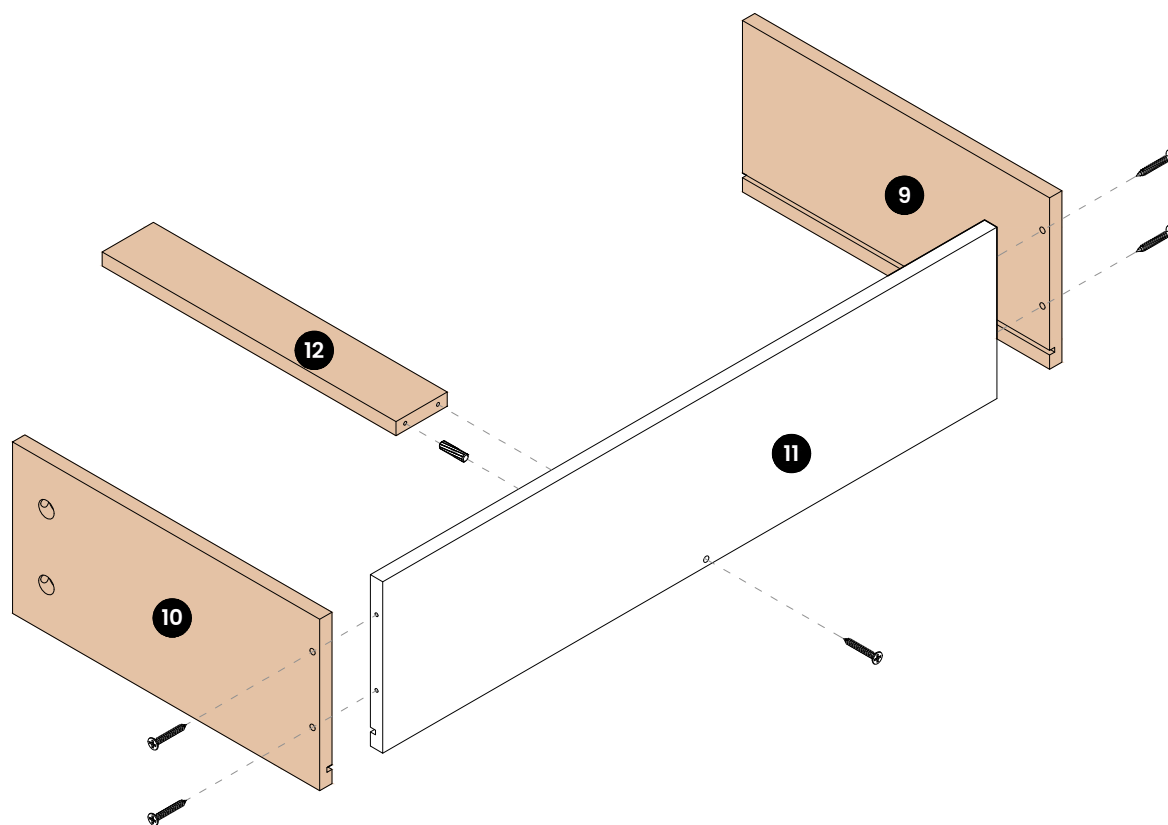


Install the screw correctly to secure the screw.

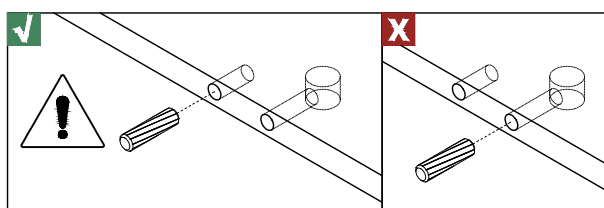
STEP 9

 **E** X10

 **C** X2



x2



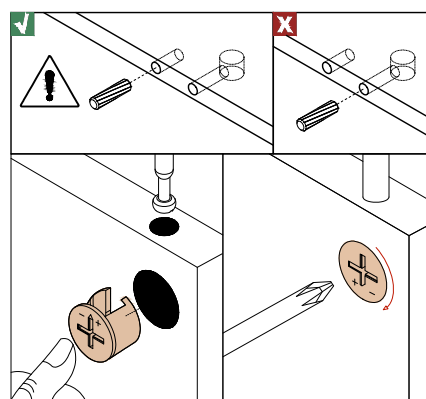
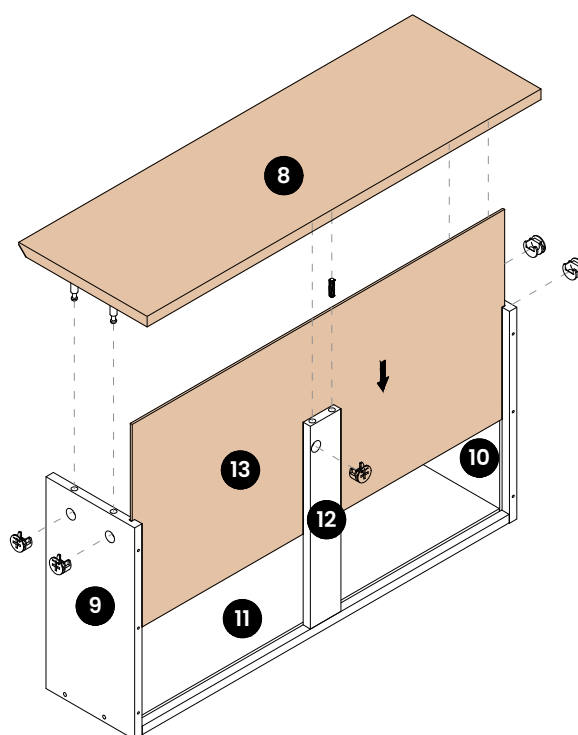
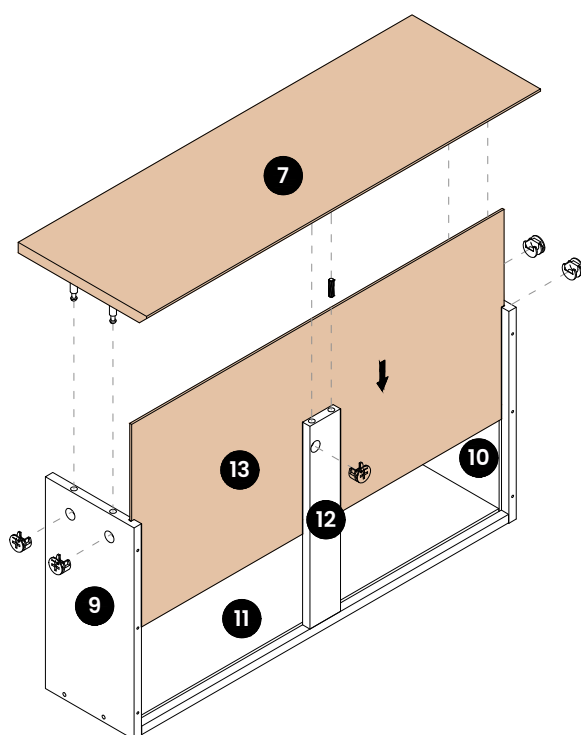
STEP 10



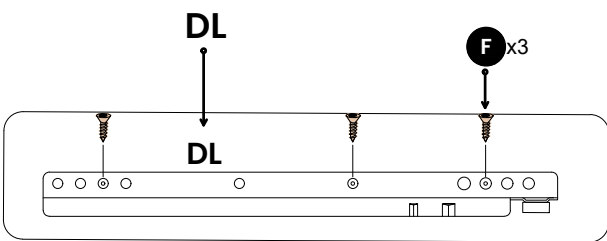
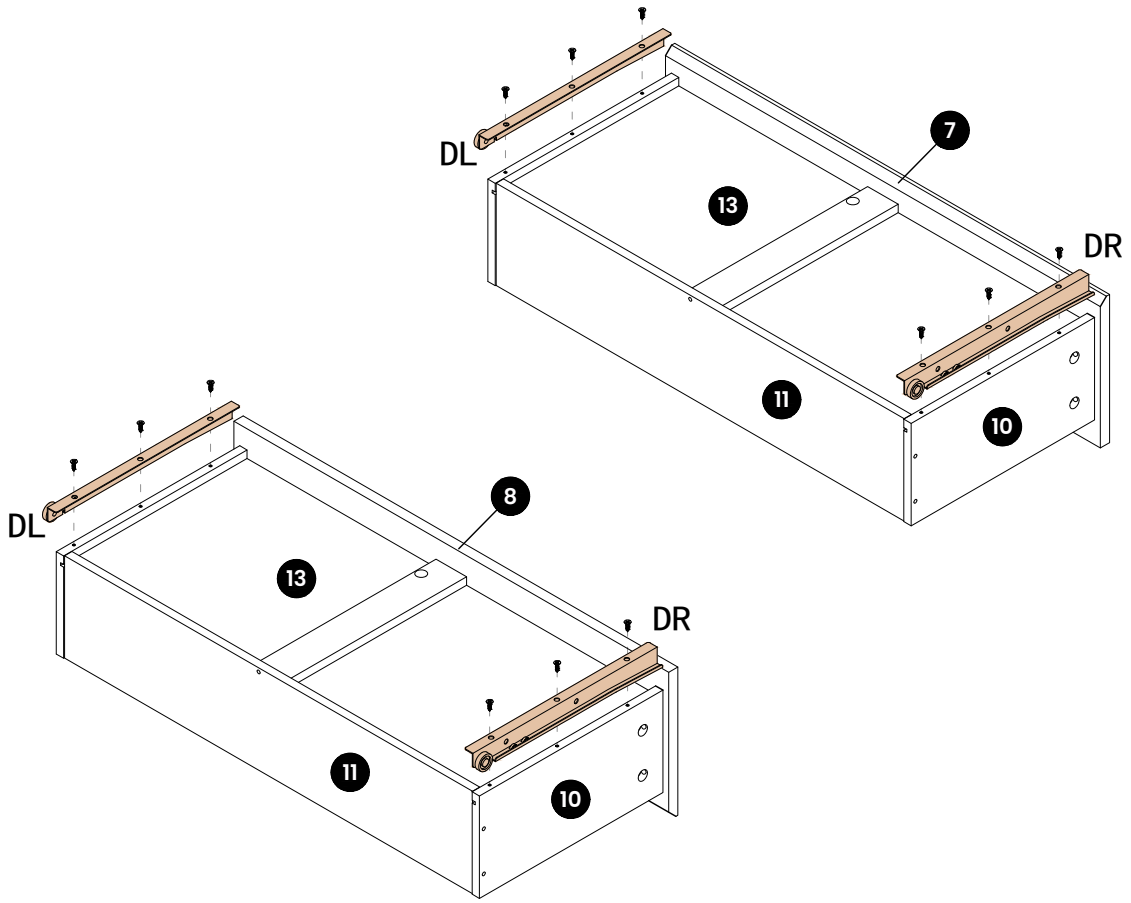
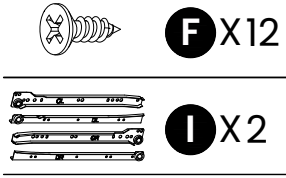
A X10



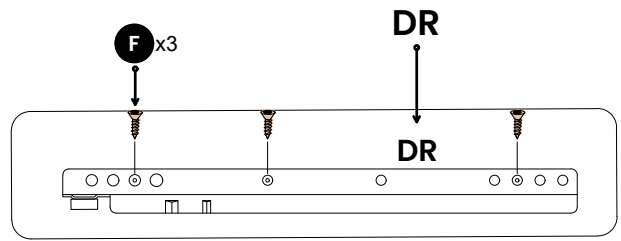
C X2



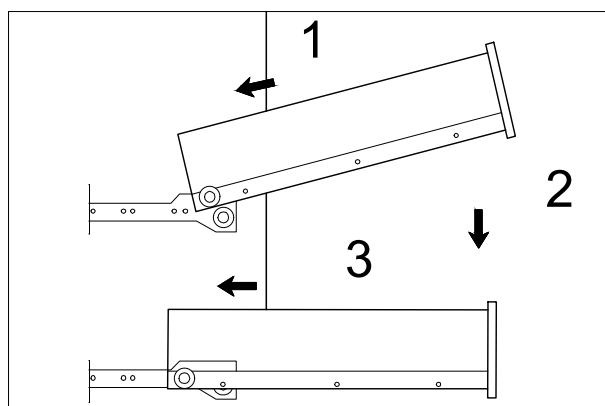
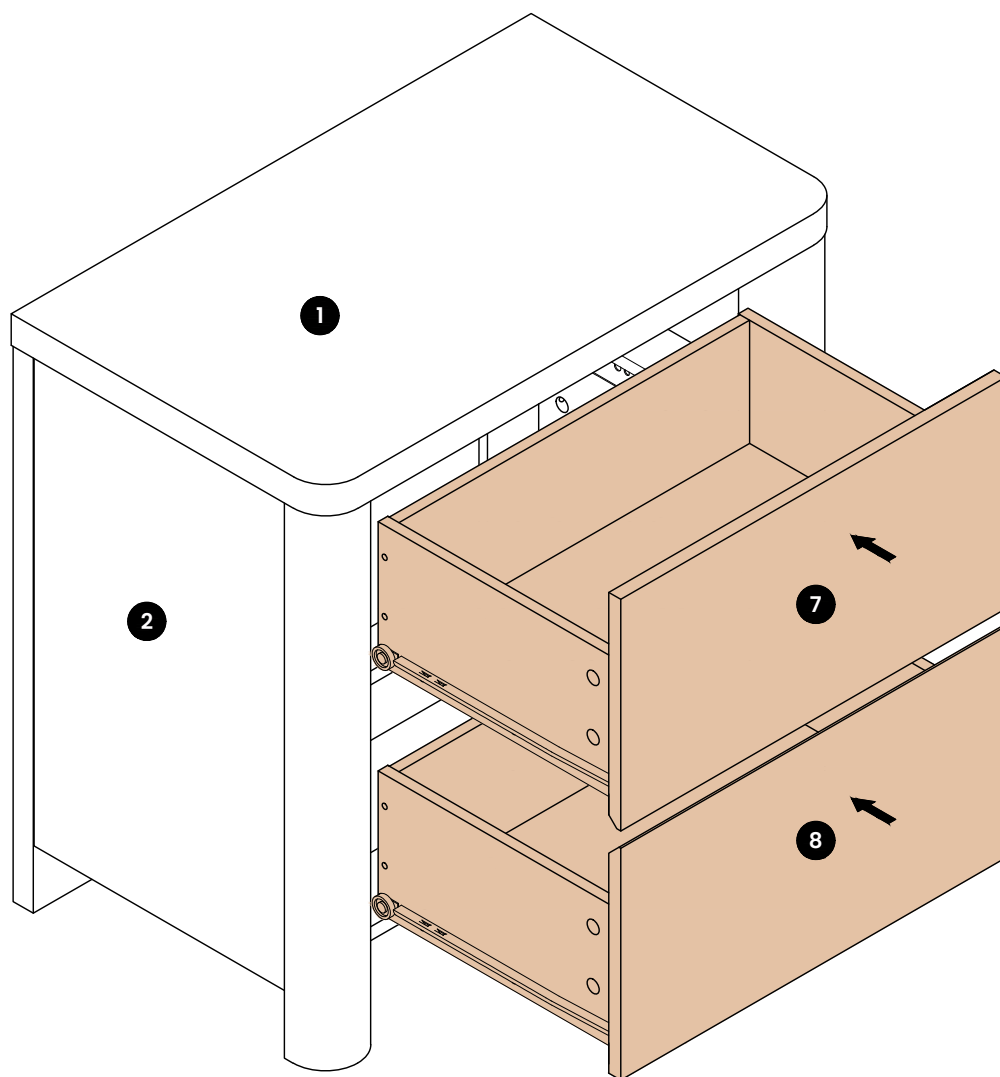
STEP 11



! Pay attention to the position of the screws



! Pay attention to the position of the screws

STEP 12



After-Sales Service Hotline: (800) 661-5928