

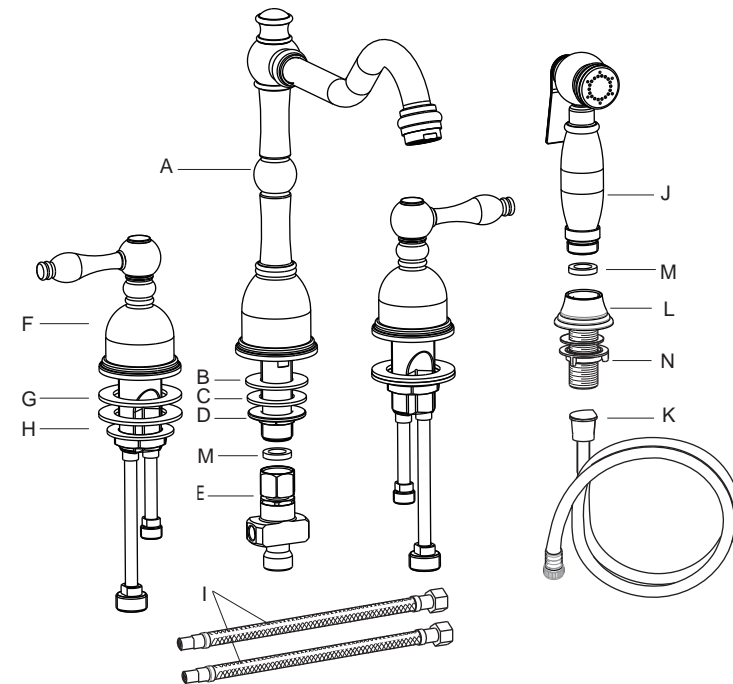
TROUBLESHOOTING

If you've followed the instruction carefully and your faucet still does not work properly, take these corrective steps:

Problem	Cause	Action
Leaks underneath handle.	Valve has loosened.	Tighten the valve.
Aerator leaks or has an inconsistent water flow pattern.	Aerator is dirty, worn out or misfitted.	Unscrew the aerator to clean or replace washer, or replace the aerator.
Water will not shut off completely.	Dirty or worn out washer in valve.	Remove handle and valve to check if the washer is damaged permanently or dirty. Re-install valve.

AKICON

Two Handle Kitchen Faucet With Spray



PACKAGE CONTENTS

PART	DESCRIPTION	QTY.
A	Spout assembly	1
B	Washer	2
C	Metal washer	1
D	Mounting nut	1
E	Adapter connector	1
F	Control valve assemblies	2
G	Washer	2

PART	DESCRIPTION	QTY.
H	Mounting nut	2
I	Flexible hose	2
J	Spray	1
K	Spray hose	1
L	Spray seat	1
M	Washer	2
N	Mounting nut	1

Questions, problems, missing parts?
 call Akicon Customer Service 8 a.m.-6p.m. EST, Monday-Friday
 Phone: +1(302)213 4406, Email: service@akicon.com
 AKICONHVAC.COM

⚠ CAUTION

- Always turn off water and relieve pressure before working on your faucet.

PREPARATION

Clean the dirt from valve outlets. Turn off the water supply valves. This is usually found near the water meter. If you are replacing an existing faucet, remove the faucet from the sink, and clean the sink surface thoroughly.

Estimated Assembly Time: 20 minutes

Helpful Tools: (not included)

- PTFE plumber's tape or thread sealant
- Flathead screwdriver
- Phillips screwdriver
- Pliers
- Adjustable wrench
- Cloth

Your installation may require supply lines and/or shut-off valves, cone washers, friction rings, or other additional tools. Consult the store where your faucet was purchased for connections that may be required for your area.

ASSEMBLY AND INSTALLATION INSTRUCTIONS

1. Insert spout assembly through the second hole of sink, then from underneath sink, place Installation assembly onto thread pipe and tighten with Mounting nut, then tighten adapter connector using wrench, be sure the adapter connector is in the parallel status.

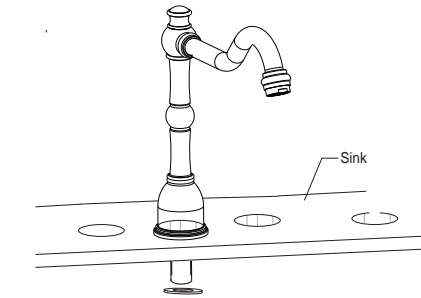


Fig. 1

2. Insert spout assembly through the second hole of sink, from underneath sink, place Installation assembly onto thread pipe and tighten with Mounting nut, then tighten adapter connector using adjustable wrench, be sure the adapter connector is in the parallel status.

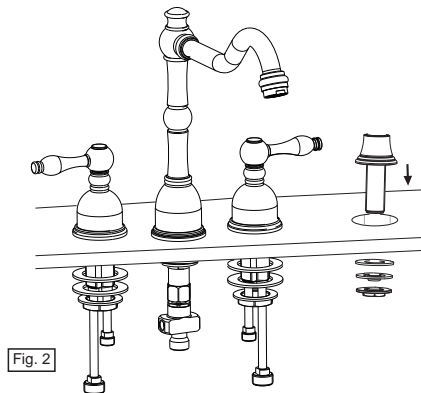


Fig. 2

3. Connect spout hot water supply line to the left control valve assembly, connect spout cold water supply line to the right control valve assembly, then tighten nut.

Use the water supply line to connect the control valve assembly to the hot water and cold water supply valve separately (the supply line is purchased separately) and tighten the supply line nut. Insert spray hose down through spray seat, then connect the spray hose to the lower end of the nozzle assembly and tighten it.

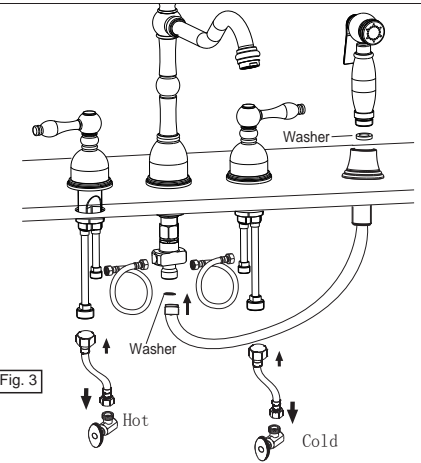


Fig. 3

MAINTENANCE AND CARE

To maintain the faucet, clean frequently and regularly.

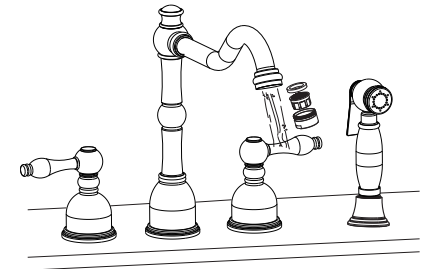
Clean with clear water or mild liquid, rinse with clear water, and then dry with soft cotton cloth.

Do not use any abrasive cleansers, cloths, or paper towels.

Do not use any acid or abrasive detergent.

1. Faucet Start Up

After installation is complete, remove aerator and rotate handle to the closed position. Turn on the water supply valves, and check all connections for a leak. Turn on your faucet and allow both hot and cold water to run at least one minute each, then Install the Aerator.



2. Handle and Valve Removal

Turn off water and relieve pressure before working on your faucet! Pull out the button at the top of the handle, screw the screws out with a cross screwdriver, pull out the handle and unscrew the cover, unscrew cartridge and inspect it, replace parts as necessary. Reassemble parts by reversing steps.

