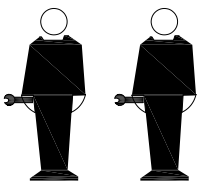
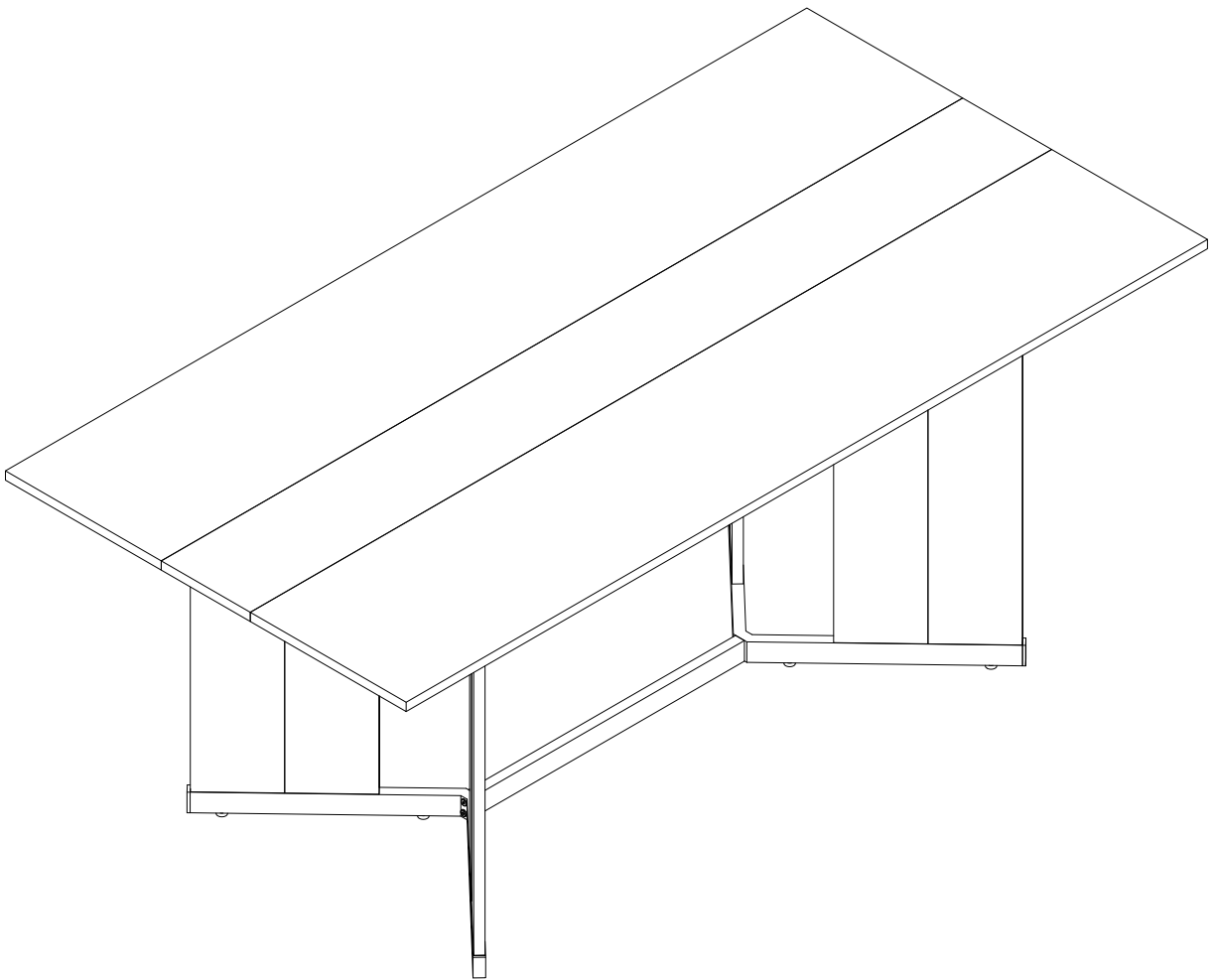
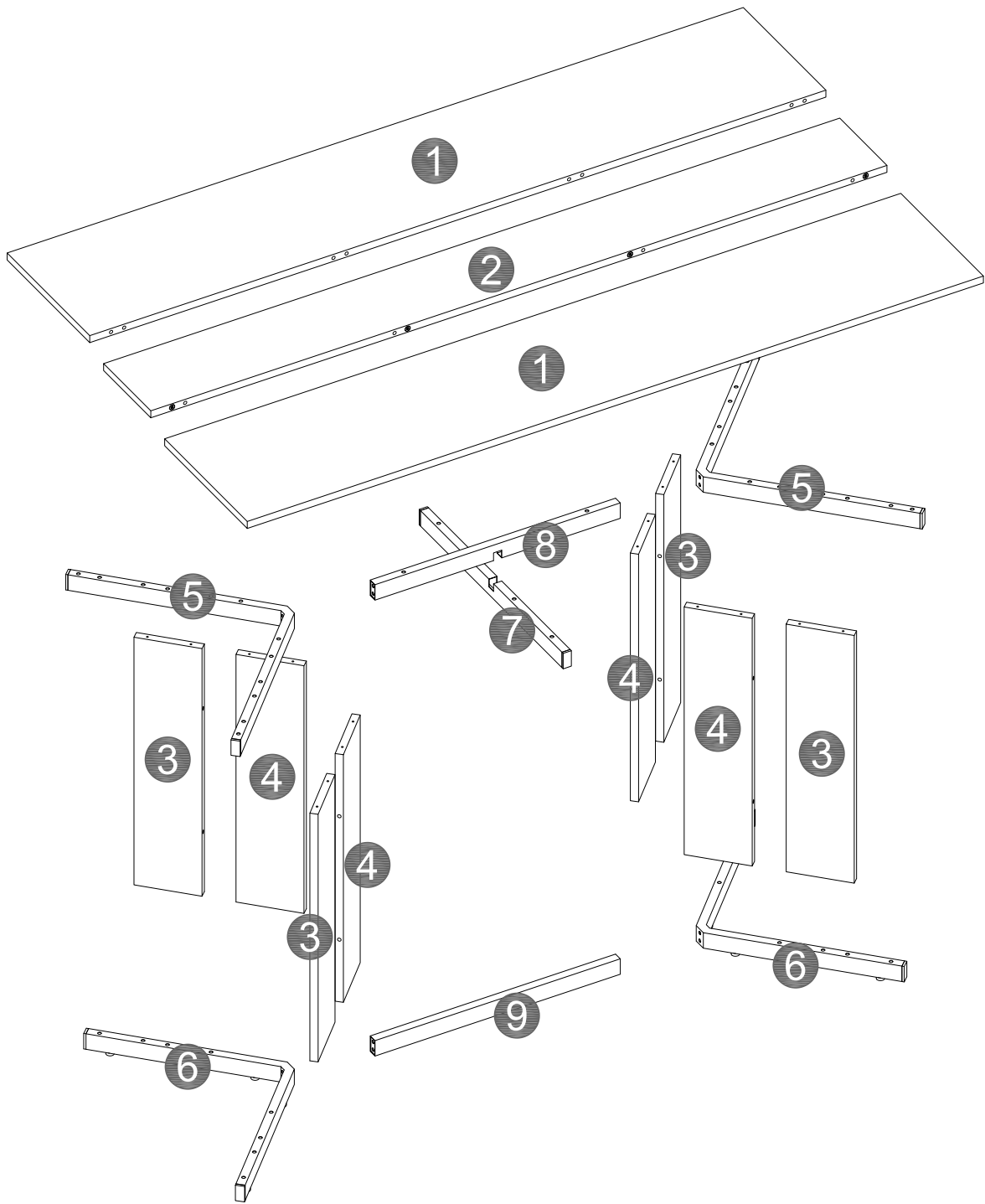


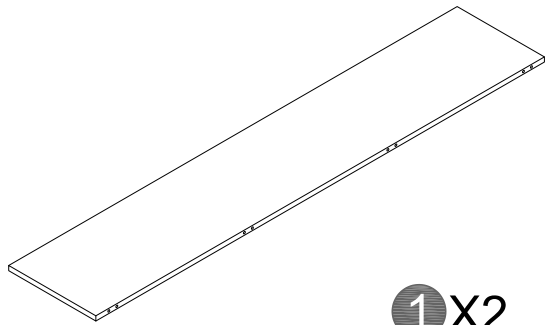
DJ0445



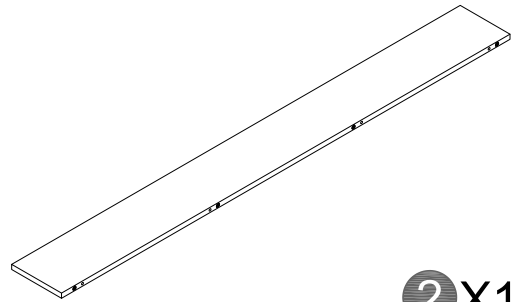
For convenience and safety, we recommend two people to assemble.
If you have any questions, please contact our customer service.



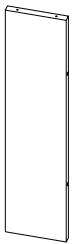
PARTS LIST



1 X2



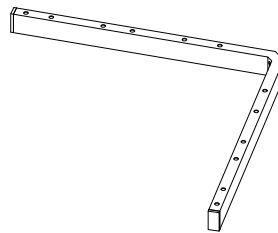
2 X1



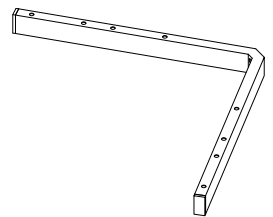
3 X4



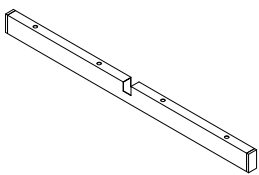
4 X4



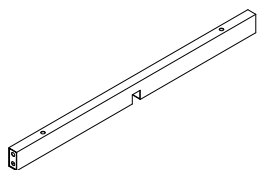
5 X2



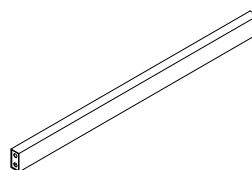
6 X2



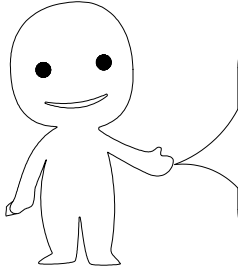
7 X1



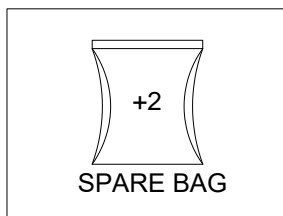
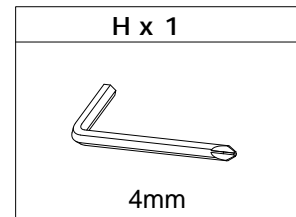
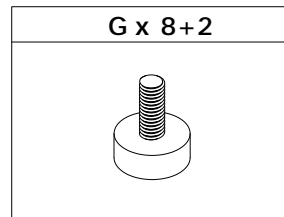
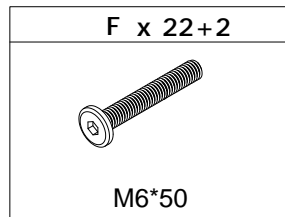
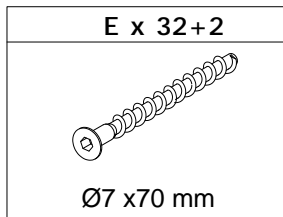
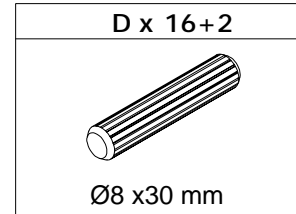
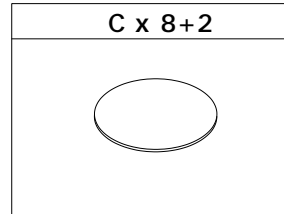
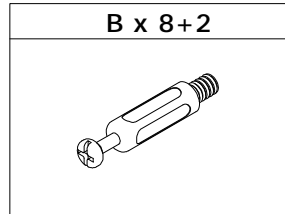
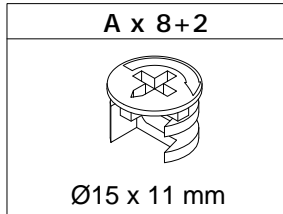
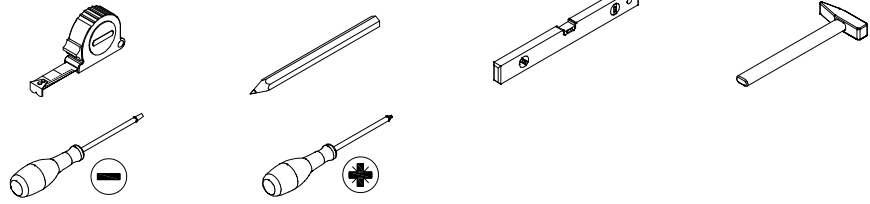
8 X1



9 X1



Please prepare the following tools



Tips: The number after "+" represents the spare hardware.

IMPORTANT NOTES:

The item you are purchasing is a large furniture product that requires a large number of components to assemble.

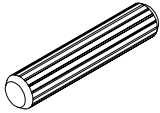
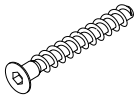
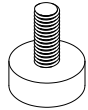
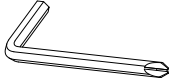
Please take all parts boxes out of the packaging and place them in order. So that you can follow the steps in the installation manual to find the corresponding parts box and quantity of need when installing. Please do not take too many parts to prevent the parts from scattering.

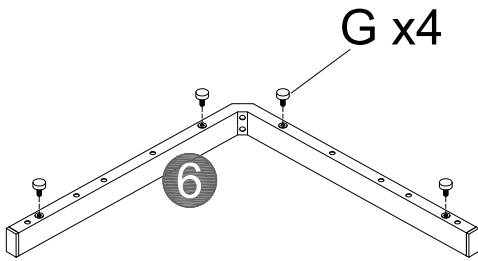
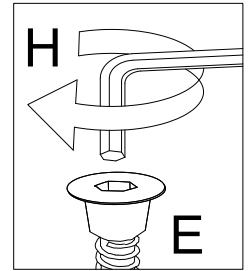
Please be patient and follow the instructions step by step for installation. If you have any problems during the installation process, you can ask our customer service to help you solve them!

SAFETY TIPS:

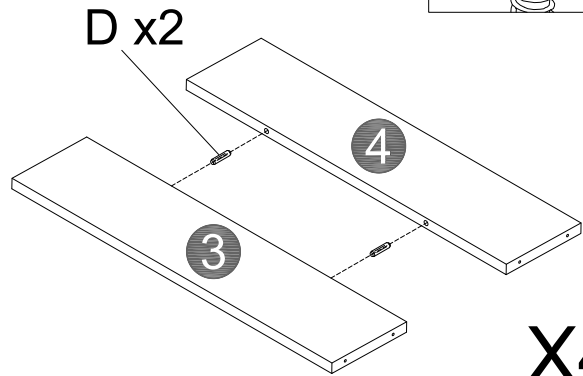
Static charge may cause dust on foam – clean with a dry or damp cloth. Small foam strands may be present – handle gently and dispose of properly. Do not burn or incinerate. Check local recycling guidelines.

1

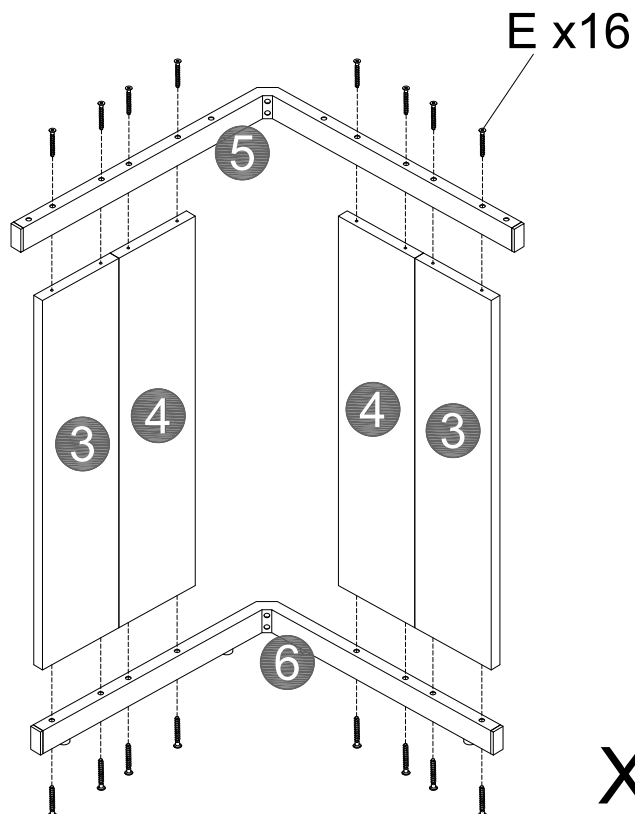
<p>D x 8</p> 	<p>E x 32</p> 	<p>G x 8</p> 	<p>H x 1</p> 	
--	---	--	---	--



X2

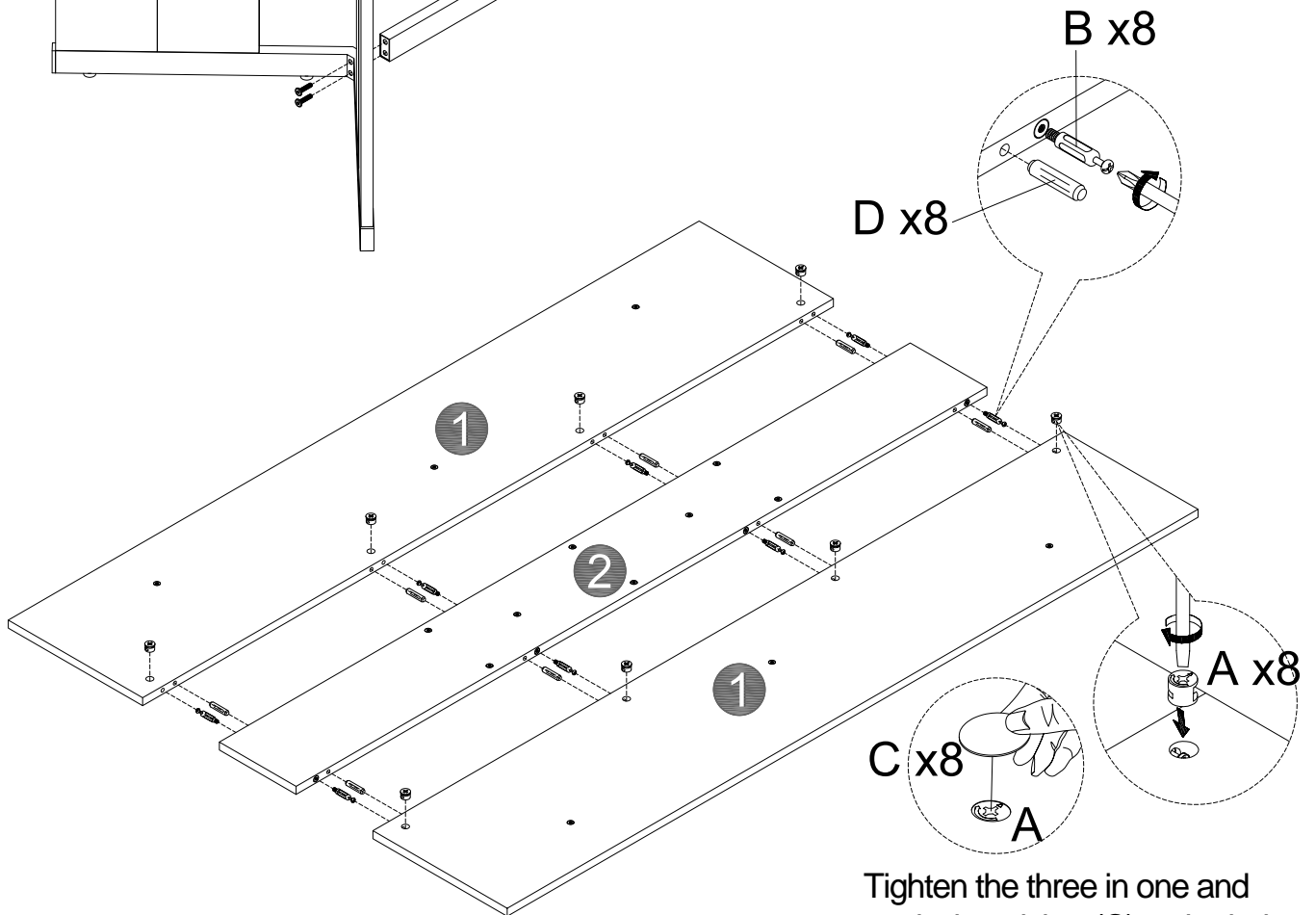
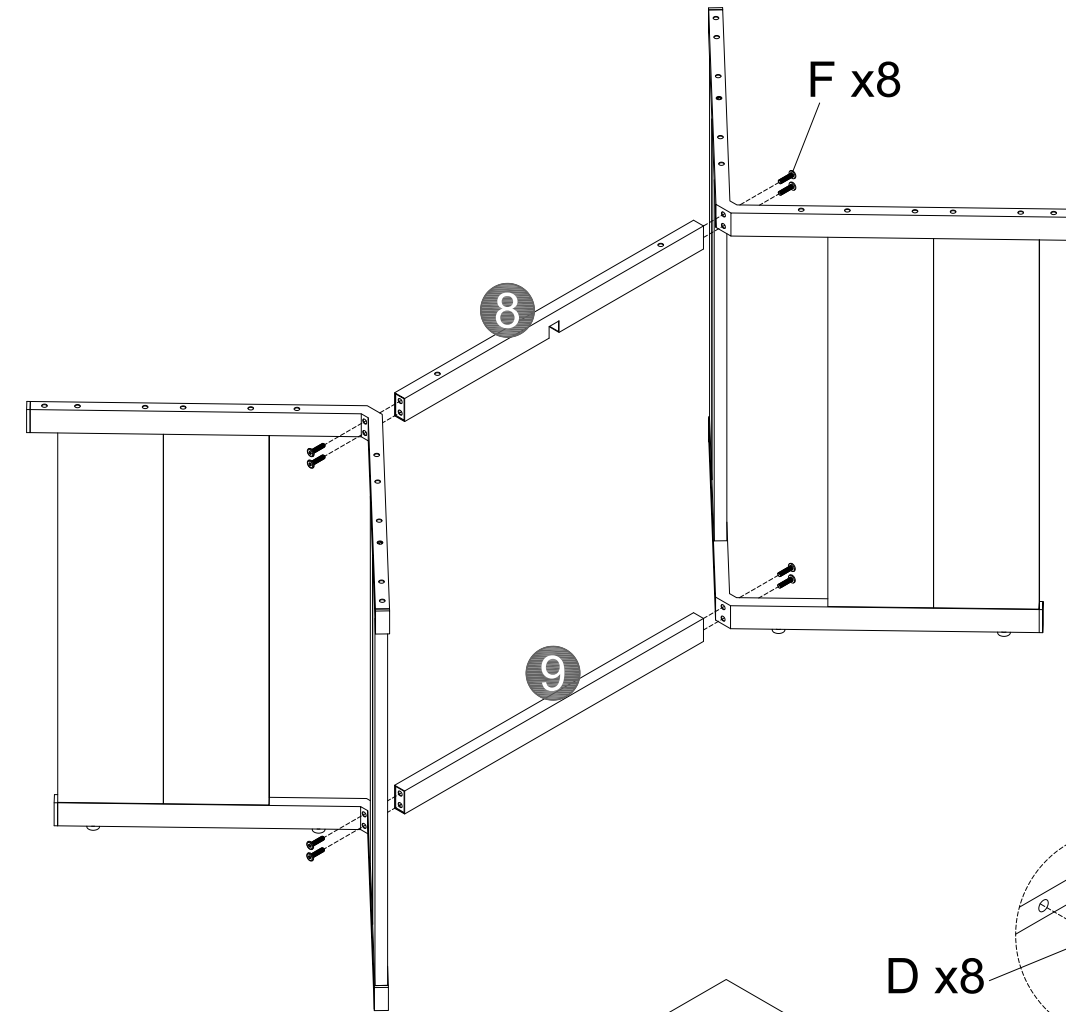
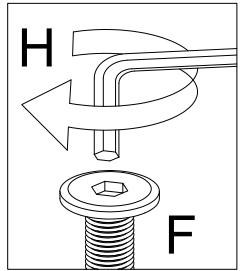
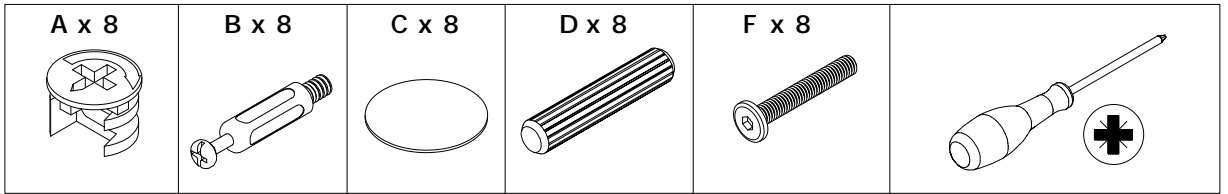


X4



X2

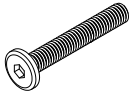
2



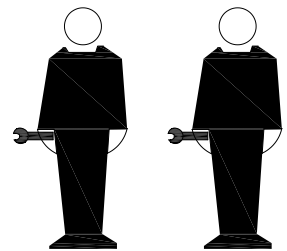
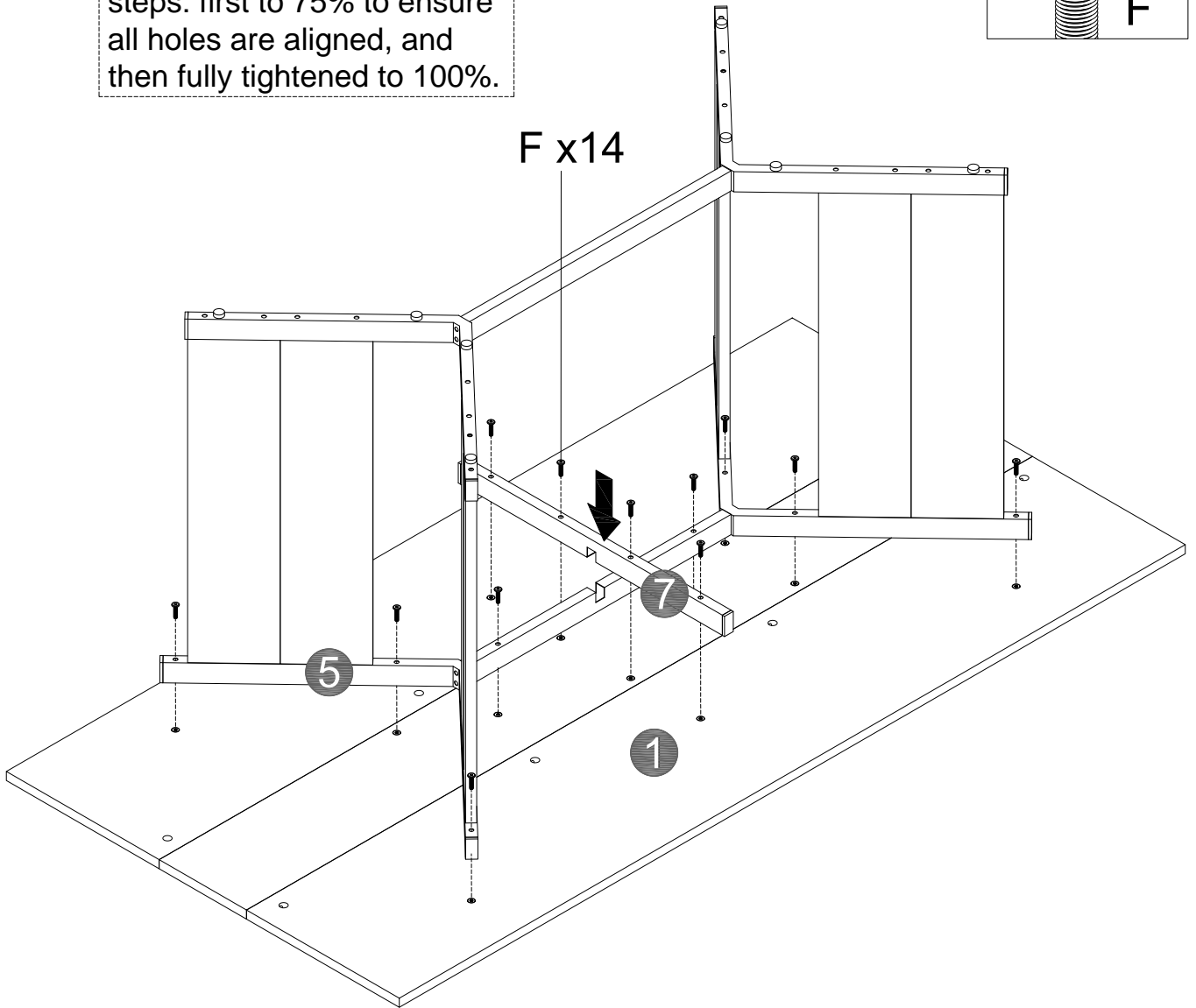
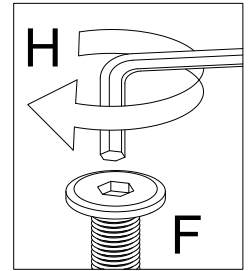
Tighten the three in one and apply the sticker (C) to the hole.

3

F x 14



During installation, screws should be tightened in two steps: first to 75% to ensure all holes are aligned, and then fully tightened to 100%.

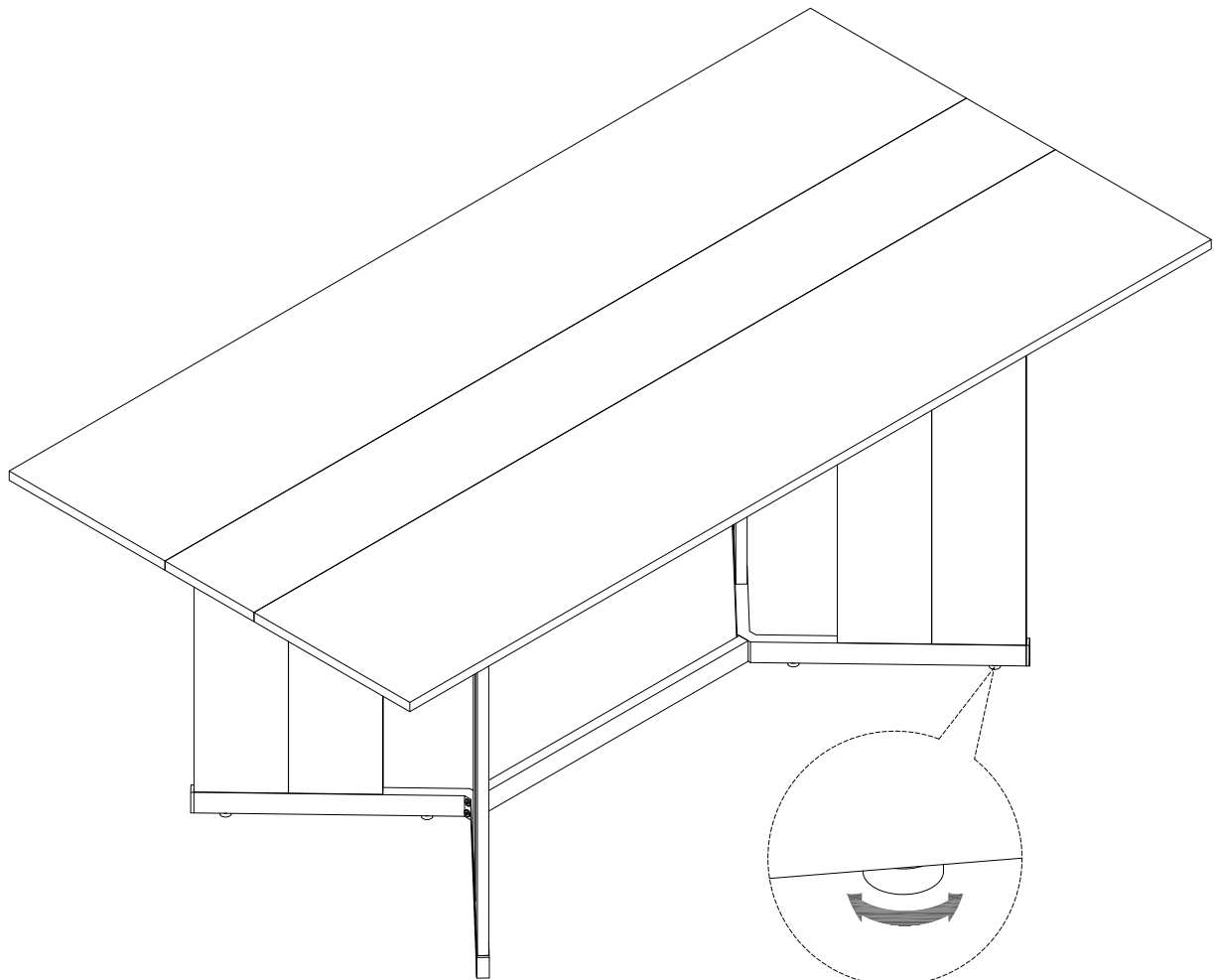


This step requires two people to complete



When the table is unstable or tilting, you can adjust the leveling feet to fix it.

1. Locate the adjustable leveling feet at the bottom of the table.
2. Loosen the feet on the higher side or tighten the feet on the lower side.
Use a wrench or manually rotate the feet to gradually adjust the height.
3. After adjustment, gently shake the table to ensure it is stable and wobble-free.
If necessary, repeat the steps for fine-tuning.



Rotational adjustment

Final Assembly