

PTS700RSZSS

GE Profile™ 30" Smart Built-In Convection Single Wall Oven with Right-Hand Side-Swing Doors

DIMENSIONS AND INSTALLATION INFORMATION (IN INCHES)

NOTE: Wall coverings, countertops and cabinets surrounding the wall oven must be able to withstand a temperature of up to 200°F (94°C).

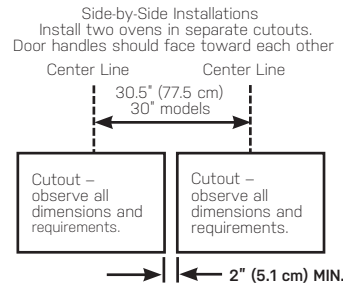
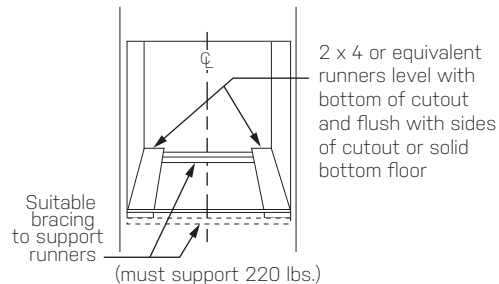
NOTE: If the cabinet in which the wall oven is installed does not have a solid bottom, two braces or runners must be installed to support the weight of the oven. The runners and braces must support up to 220 lbs (99 kg).

NOTE: Door handle protrudes 3" from door face. Cabinets and drawers on adjacent 45° and 90° walls should be placed to avoid interference with the handle.

ATTENTION INSTALLER: Electric wall ovens are NOT approved for installation with a plug and receptacle. They must be hard wired into an approved junction box.

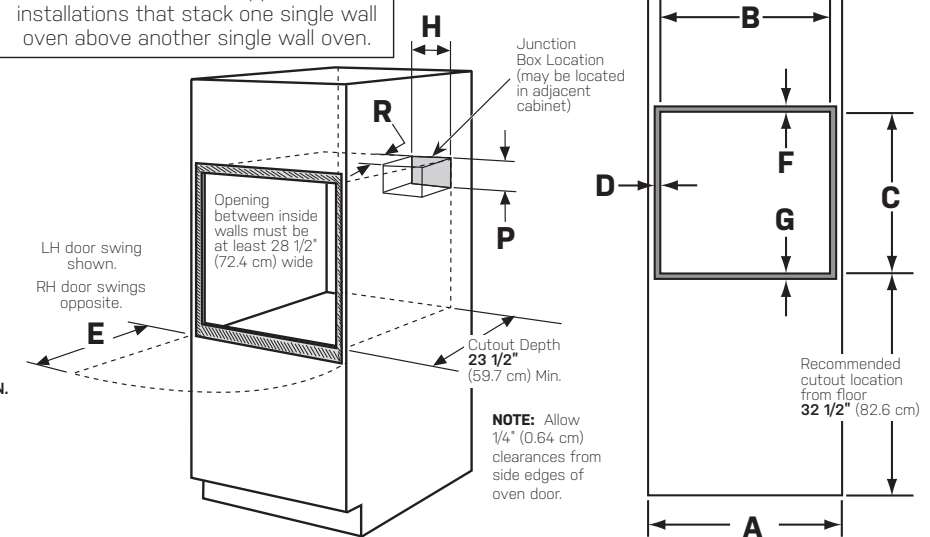
IMPORTANT: Before installing, consult installation instructions packed with product for current dimensional data.

KW RATING	
240V	4.2
208V	3.2
BREAKER SIZE	
240V	20 Amps
208V	20 Amps



NOTE: One cooktop may be centered over either oven in the side-by-side installation.

These ovens are not approved for installations that stack one single wall oven above another single wall oven.



Dim.	Dimension Description	30" Single Oven
A	Cabinet Width	30" (76.2 cm)
B	Cutout Width	28 1/2" (72.4 cm) min. / 28 5/8" (72.7 cm) max.
C	Cutout Height	27 1/4" (69.2 cm) min. / 27 5/16" (69.4 cm) max.
D	Clearance from cutout – side edges*	1/16" (1.75 cm)
E	Clearance to adjacent corners, drawers, walls, etc., when door is open	31 1/8" (77.8 cm) min.
F	Clearance from cutout – top*	1" (2.5 cm) min. (1 1/4" (3.2 cm) for PT9050, ZET1S and ZET1P)
G	Clearance from cutout – bottom*	1 1/4" (3.2 cm)
H	Junction Box Location	9 1/2" (24.1 cm) max. right side only
J	Door swing depth – Allow additional clearances for installation and oven usage	31 1/8" (77.8 cm) min.
K	Countertop or cabinet door protrusion (measure if exist)	Measure "K"
L	Gap between edge of countertop or cabinet door to cabinet opening	If K = 0, L = 0, Otherwise K = L + 1" (2.54 cm) min.
P	Junction Box location	5 1/4" (13.34 cm) max.
R	Junction Box location	2 1/2" (6.35 cm) max.
S	Door swing width – Allow additional clearances for installation and oven usage	24" (61 cm) min.

* Refers to minimum clearance required for wall oven installation and does not reflect actual product dimensions.



For answers to your Monogram, Café™, GE Profile™ or GE Appliances product questions, visit our website at geappliances.com or call GE Answer Center® Service, 800.626.2000.



Specification Revised 05/26 TW3320

PTS700RSZSS

GE Profile™ 30" Smart Built-In Convection Single Wall Oven with Right-Hand Side-Swing Doors

DIMENSIONS AND INSTALLATION INFORMATION (IN INCHES)

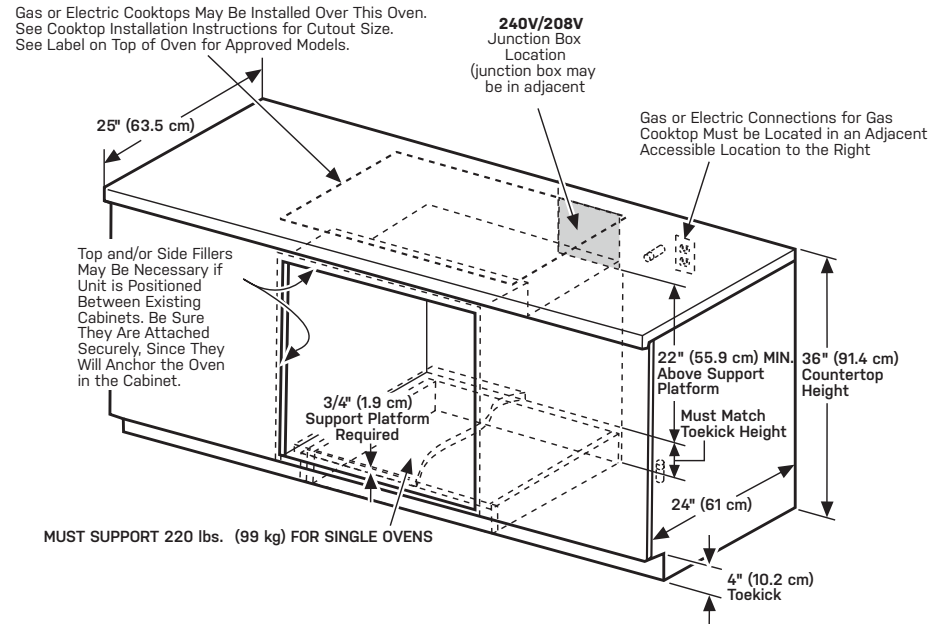
NOTE: 30" single electric wall ovens are approved for installation below a countertop, and below certain gas and electric cooktops. Refer to the Approved Combinations Matrix available at geappliances.com for specific information.

NOTE: 30" single electric wall ovens are approved for installation above 27" and 30" warming drawers.

ATTENTION INSTALLER: Electric wall ovens are NOT approved for installation with a plug and receptacle. They must be hard wired into an approved junction box.

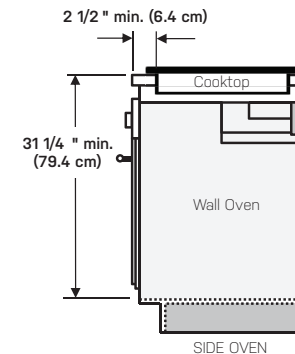
IMPORTANT: Before installing, consult installation instructions packed with ALL products for current dimensional and combination data.

UNDERCOUNTER INSTALLATION



INSTALLATION BELOW A COOKTOP

IMPORTANT: Maintain a minimum distance of **31 1/4"** from the top surface of the countertop to the wall oven platform to ensure that the cooktop and wall oven do not interfere with each other (see picture).



For answers to your Monogram, Café™, GE Profile™ or GE Appliances product questions, visit our website at geappliances.com or call GE Answer Center® Service, 800.626.2000.

Specification Revised 05/26 TW3320

PTS700RSZSS

GE Profile™ 30" Smart Built-In Convection Single Wall Oven with Right-Hand Side-Swing Doors

FEATURES AND BENEFITS

Swing Door – An innovative door design that opens to the side instead of down, eliminating awkward reaching

True European Convection with Direct Air – Faster, more even results for roasts, chicken, turkey and other special-occasion favorites, with the only cooking system that delivers true top-down convection

No Preheat Air Fry – Cook healthier, crispier versions of your favorite foods in less time, thanks to an air fryer right in your oven that doesn't require preheating (optional air fry tray sold separately)

Precision Cooking Modes – Achieve perfect results with an extensive selection of precision cooking modes—including artisan pizza, salmon, roasted vegetables, and bacon—powered by algorithms that track the food's progress and dynamically adjusts time and temperature by precisely managing heat and airflow

7" Customizable Touch Screen Display – A bright, interactive touch screen is easy to use and features unlimited timers, weather updates, recipe apps, and saved favorite recipes to streamline your cooking experience

Streamline Cooking with Voice Command – Use voice commands to control your oven hands-free — set modes, adjust temperatures, and manage timers with ease. Add items to your shopping list or get real-time cooking and appliance guidance through the built-in chatbot, all without lifting a finger

Cooking Assistant – Step into the future of cooking with a platform designed for ultimate convenience. Our advanced digital cooking tools provide direct access to our Cooking Partners' apps, simplifying everything from recipe discovery to shopping and execution with expert cooking tips. It's life, uncomplicated

Premium Bluetooth® Speakers – Built-in Bluetooth speakers connect to your smartphone so you can stream music, podcasts and more while you cook — keeping you entertained without leaving the kitchen

Built-In WIFI, Powered by SmartHQ™ App – Connect, control and manage your oven from anywhere with your smartphone or tablet (Select features require WIFI connection)

Self-Clean Oven with Optional Steam Clean – Let your oven do the cleaning for you with two ways to eliminate baked-on messes

Remote Temperature Probe – Know exactly when your dish has reached the perfect internal temperature with temperature readings that you can view using the SmartHQ™ App

Smart Oven Shortcuts – Upgrade your cooking with this smart oven shortcut feature, saving your most recently used cooking modes for instant access. Seamlessly blend innovation and efficiency so you can focus on what truly matters — creating, entertaining, and enjoying

Fit Guarantee – Ensures your new appliance will fit your existing cutout, or GE Appliances will help cover the modification costs

Model PTS700RSZSS – Stainless Steel

