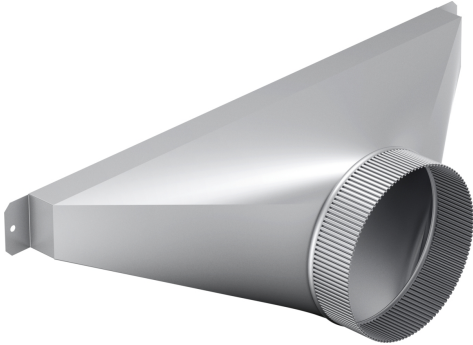


installation accessory
HDDSTRAN6



6" Round Transition Enable Ducting To Be At Sides Or Rear Of Downdraft For Flexible Configurations To Maximize Your Kitchen Design

- **Customize The Direction Of Duct Discharge To Be Left, Right, Or Rear**
- **Rectangular 1-7/8" x 19" Transition To 6" Round**
- **Ability To Use With Ducting Or Elbows With 6" Round Duct Connection**
- **Some Blower Positions May Need Deeper Cabinets. See Installation Guide**
- **Ability To Use With DHG6105NUC Inline or DHG6023RUC Remote Blowers**

Product group: Accessory
 Brand: Bosch
 Product name / series name:
 SKU: HDDSTRAN6
 Internal article number: 0000000000077720
 EAN code: 4242002910758
 Product Packaging Dimensions (HxWxD): 12.49 x 12.24 x 25.24
 Net Weight: 3.000 lbs
 Gross Weight: 3.000 lbs
 Quantity per packing unit:
 Standard number of units per pallet: 20
 UPC code: 825225920731





installation accessory
HDDSTRAN6

**6" Round Transition Enable Ducting To Be
At Sides Or Rear Of Downdraft For
Flexible Configurations To Maximize Your
Kitchen Design**

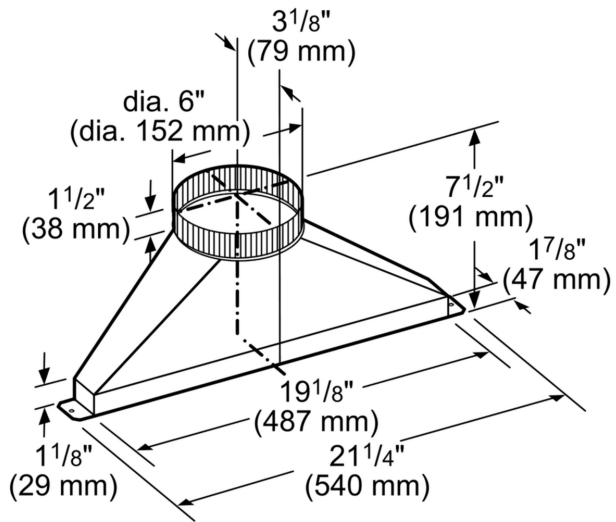
Design

- Customize The Direction Of Duct Discharge To Be Left, Right, Or Rear
- Rectangular 1-7/8" x 19" Transition To 6" Round
- Ability To Use With Ducting Or Elbows With 6" Round Duct Connection
- Some Blower Positions May Need Deeper Cabinets. See Installation Guide

Performance

- Ability To Use With DHG6105NUC Inline or DHG6023RUC Remote Blowers

installation accessory
HDDSTRAN6



measurements in inches (mm)