

24" Bar Handle Dishwasher

Benchmark® Series – Stainless Steel SHX89PW55N



BOSCH
Invented for life



SHX89PW55N
Stainless Steel

The MyWay® easily fits larger & deeper items like cereal bowls, freeing up extra space for pots & pans in the bottom rack.

Features & Benefits

39 dBA: Quietest dishwasher brand in North America.*

MyWay® gives you the industry's largest 3rd rack loading capacity.**

A clean white light illuminates the interior when the door is open.

3 EasyGlide™ racks provide a smooth glide for easier loading & unloading.

Water softener ensures optimally spot-free and shiny dishes.

General Properties	
Number of wash cycles	7
Number of options	7
dBA	39
Third rack	MyWay® Rack
Rack adjustability	Rackmatic®
Tub material	Stainless Steel
Control type	Touch Control with TFT Display
Concealed heating element	Yes
Leak protection system	24/7 AquaStop®
Water softener	Yes
Five-level wash	Yes
ChildLock	No
InfoLight®	Yes
Special features	Interior Light, EasyGlide™ Rack System on all Levels

Efficiency	
Water usage per cycle	2.9
Energy efficiency class	Tier 1
ENERGY STAR® qualified	Yes
Total annual energy consumption (kWh)	269
Total annual water consumption (g)	623.5

Capacity	
Number of place settings	16

Technical Details	
Watts (W)	1440 W
Current (A)	12 Amps
Volts (V)	120 V
Frequency (Hz)	60 Hz
Power cord length	N/A
Minimum water pressure (lb/sin)	14
Length outlet hose (in)	79"

Dimensions & Weight	
Overall appliance dimensions (HxWxD)(in)	33 7/8" x 23 9/16" x 23 3/4"
Required cutout size (HxWxD)(in)	33 7/8" x 23 5/8" x 24"
Adjustable feet	Yes
Net weight (lbs)	111 lbs

Accessories—Optional	
Drain Hose Extension Kit	SGZ1010UC
Dishwasher Softener Salt (4.4 lbs)	SGZ9091UC
Anti-Tarnish Silverware Cassette	SMZ5002UC
Power Cord with Cold Plug	SMZPC002UC



*Based on an average of sound ratings of 24" Full Size Stainless Steel Tub dishwashers contained in major brands US & Canadian websites. Major brands defined as TraQline Top 5 Market Share (US & Canada) December 2017.



**The industry's largest 3rd rack capacity vs. major brands with a 3rd rack. Major brands defined as TraQline Top 5 Market Share March 2017.

Accessories: To purchase Bosch accessories, cleaners & parts please visit www.bosch-home.com/us/store or call 1-800-944-2904 (Mon to Fri 5 am to 6 pm PST, Sat 6 am to 3 pm PST).

Notes: All height, width and depth dimensions are shown in inches. BSH reserves the absolute and unrestricted right to change product materials and specifications, at any time, without notice. Consult the product's installation instructions for final dimensional data and other details prior to making cutout.

Warranties: Please see Use & Care manual or Bosch website for statement of limited warranty.

For more information on our entire line of products, go to www.bosch-home.com/us or call 1-800-944-2904

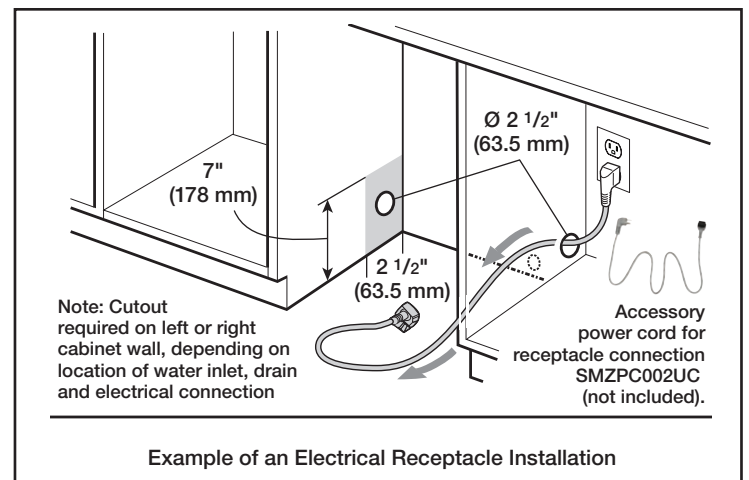
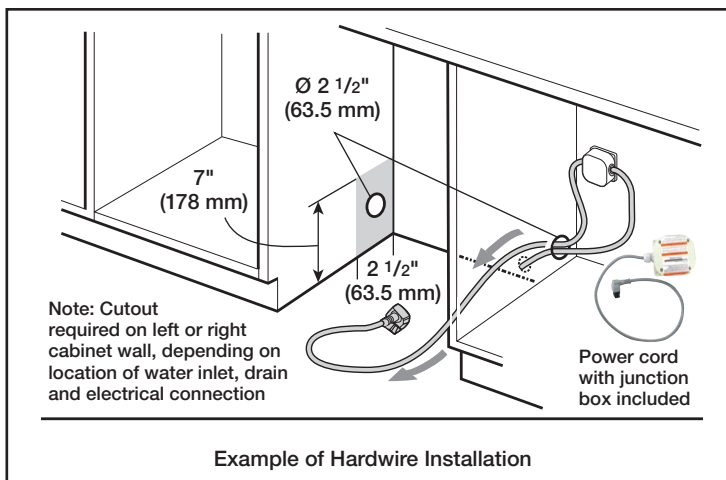
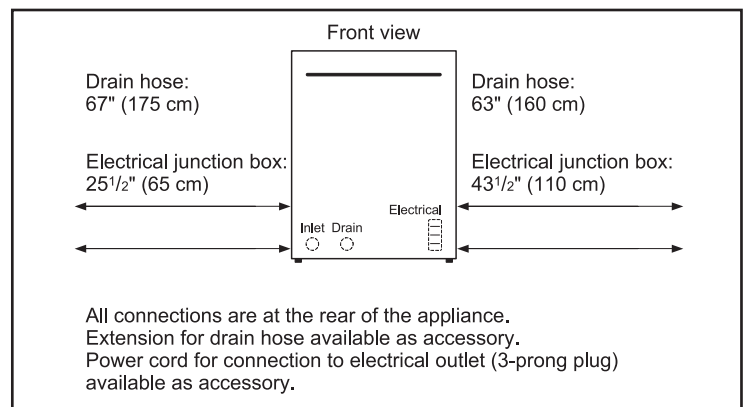
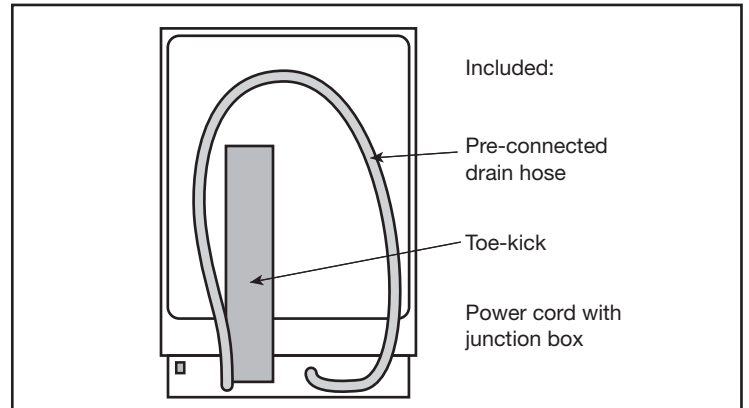
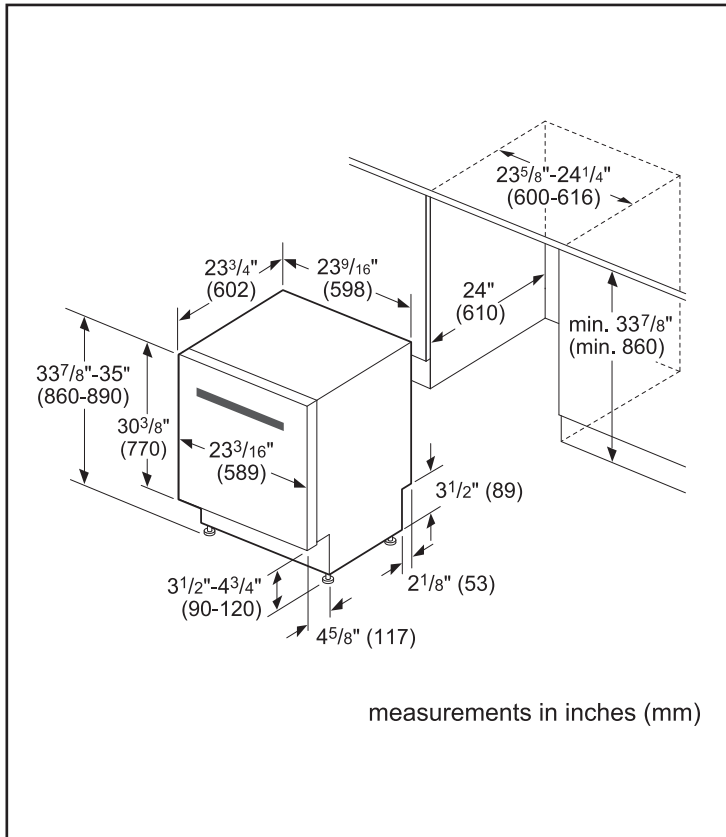
© BSH Home Appliances Corporation. All rights reserved. Bosch is a registered trademark of Robert Bosch GmbH.

24" Bar Handle Dishwasher

Benchmark® Series – Stainless Steel SHX89PW55N



Installation Details



Accessories: To purchase Bosch accessories, cleaners & parts please visit www.bosch-home.com/us/store or call 1-800-944-2904 (Mon to Fri 5 am to 6 pm PST, Sat 6 am to 3 pm PST).

Notes: All height, width and depth dimensions are shown in inches. BSH reserves the absolute and unrestricted right to change product materials and specifications, at any time, without notice. Consult the product's installation instructions for final dimensional data and other details prior to making cutout.

Warranties: Please see Use & Care manual or Bosch website for statement of limited warranty.

For more information on our entire line of products, go to www.bosch-home.com/us or call 1-800-944-2904

© BSH Home Appliances Corporation. All rights reserved. Bosch is a registered trademark of Robert Bosch GmbH.

24" Bar Handle Dishwasher

Benchmark® Series – Stainless Steel SHX89PW55N

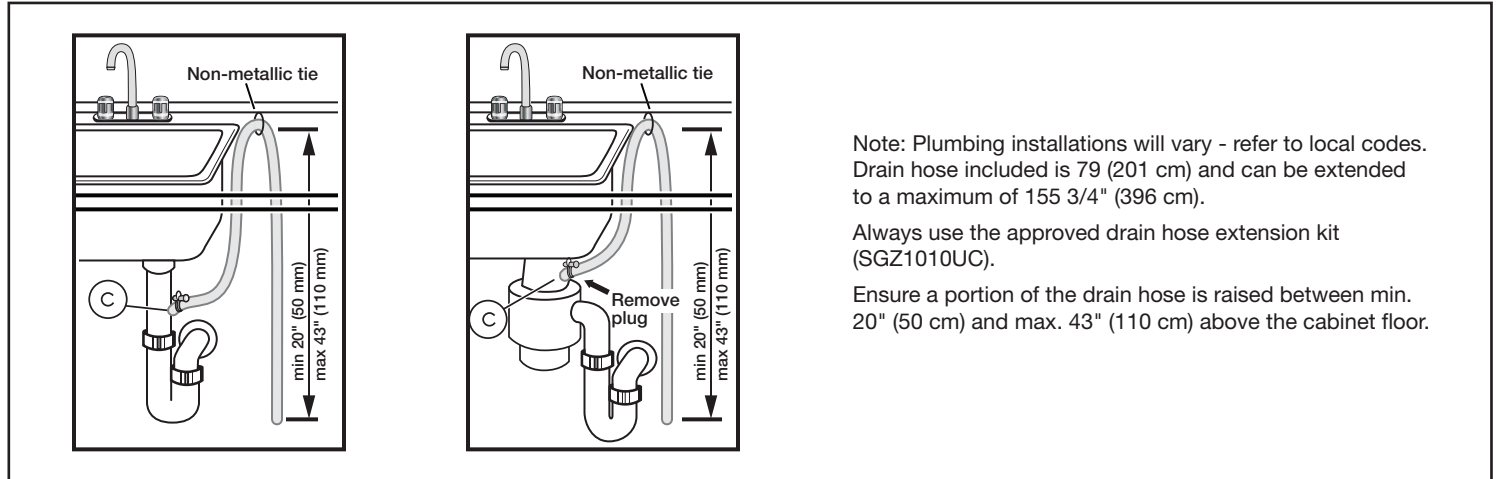


BOSCH

Invented for life



Installation Details



Accessories: To purchase Bosch accessories, cleaners & parts please visit www.bosch-home.com/us/store or call 1-800-944-2904 (Mon to Fri 5 am to 6 pm PST, Sat 6 am to 3 pm PST).

Notes: All height, width and depth dimensions are shown in inches. BSH reserves the absolute and unrestricted right to change product materials and specifications, at any time, without notice. Consult the product's installation instructions for final dimensional data and other details prior to making cutout.

Warranties: Please see Use & Care manual or Bosch website for statement of limited warranty.

For more information on our entire line of products, go to www.bosch-home.com/us or call 1-800-944-2904

© BSH Home Appliances Corporation. All rights reserved. Bosch is a registered trademark of Robert Bosch GmbH.

07/18