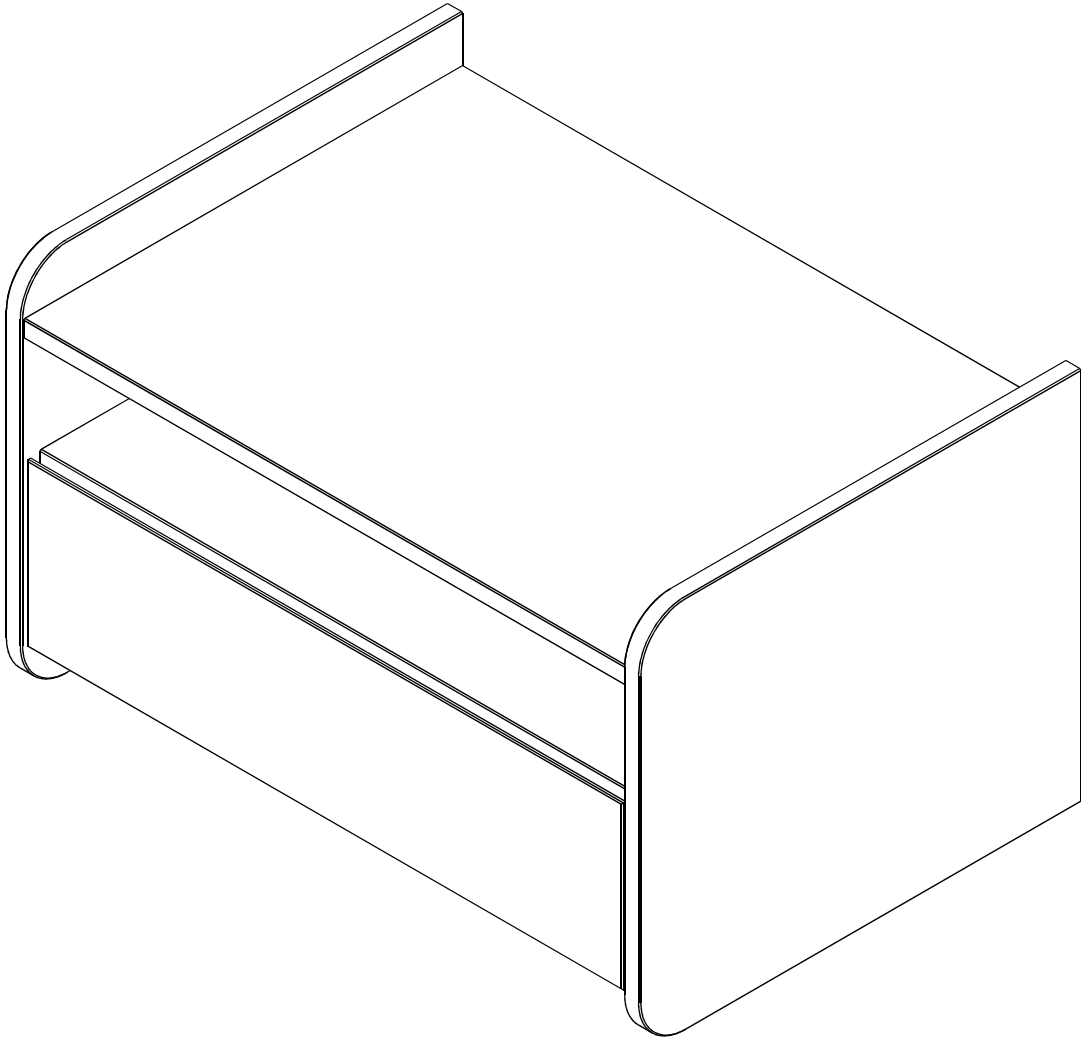


BRCARFNS

Assembly Instructions



Walker
Edison®

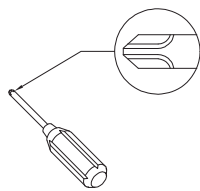
Please visit our website for the most current instructions, assembly tips, report damage, or request parts. www.walkeredison.com

Revised 07/2020

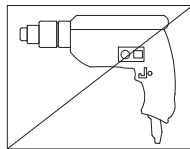
Copyright © 2018, by Walker Edison Furniture Co., LLC. All rights reserved.

General Assembly Guidelines

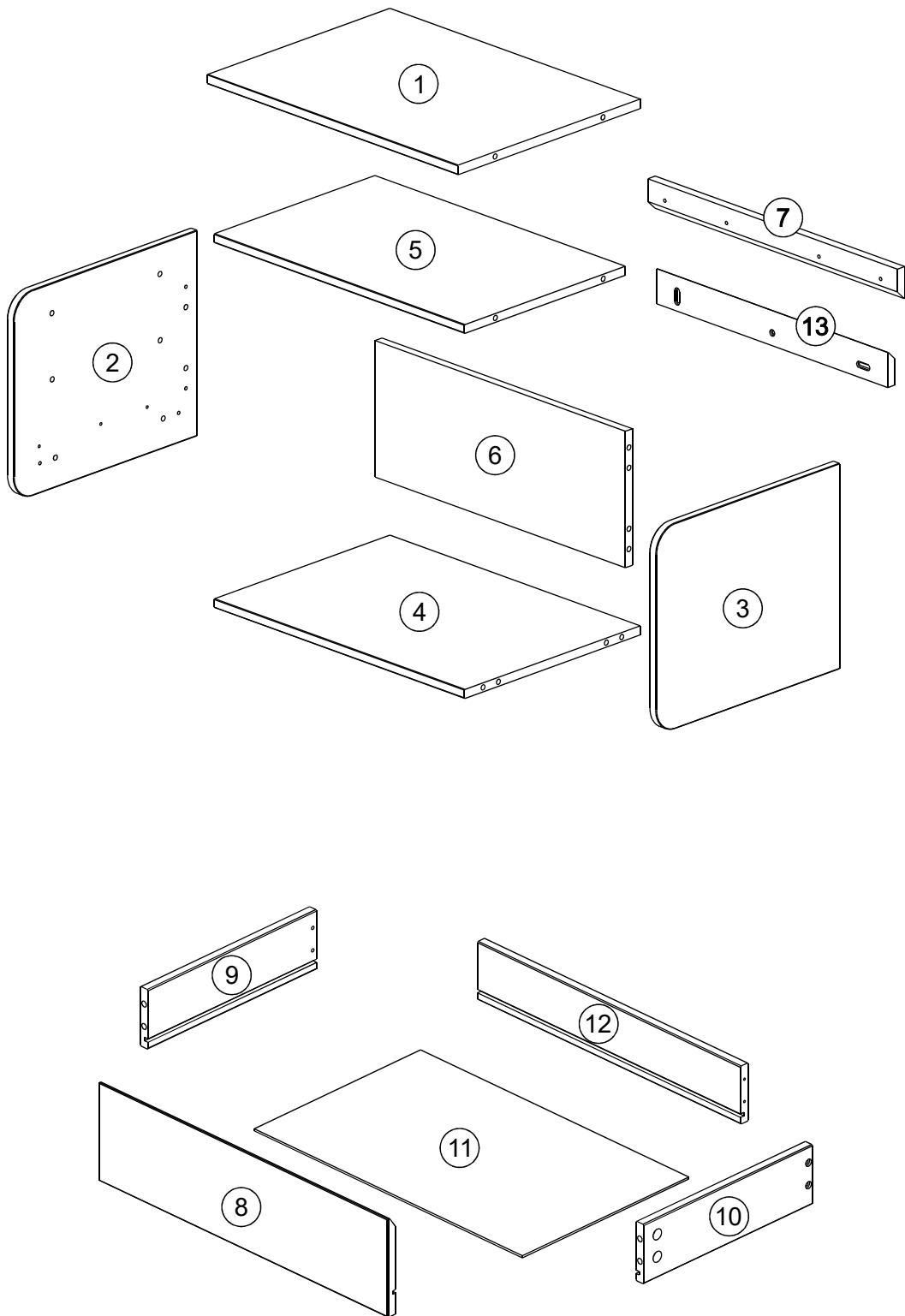
- I. Ensure that all parts and hardware are available before beginning assembly.
- II. Follow each step carefully to ensure the proper assembly of this product.
- III. Two people are recommended for ease in the assembly of this product.
- IV. The three main types of hardware used to assemble this product are : wood dowels , screws and bolts.
- V. A Phillips head screwdriver is required for the assembly of this product .






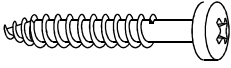
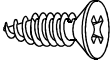
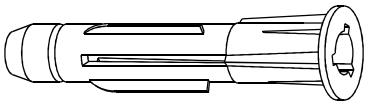
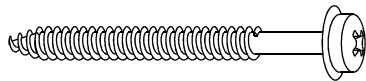
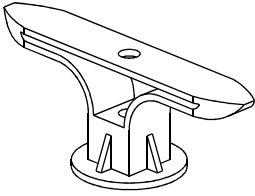


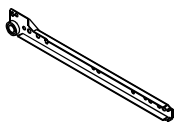
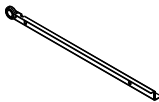
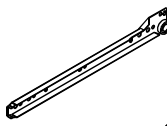

- VI. Power tools should not be used to assemble this product .

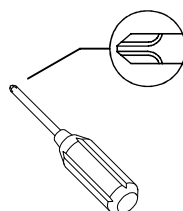


Parts List



Hardware List

A		Ø8x30 mm	Wood dowel	16 pçs
B			Minifix Screw	12 pçs
C			Minifix Cam Lock	12 pçs
D		Ø4x30 mm	Screw	4 pçs
E		Ø3x14 mm	Screw	4 pçs
F			Wall Anchor	3 pçs
G		Ø4,5x50 mm	Screw	3 pçs
H			Drywall Anchor	3 pçs
I		Ø6x10 mm	Screw	6 pçs
J		Ø4x20 mm	Screw	8 pçs
K			External Left Glide	1 pç
L			Internal Left Glide	1 pç
M			External Right Glide	1 pç
N			Internal Right Glide	1 pç

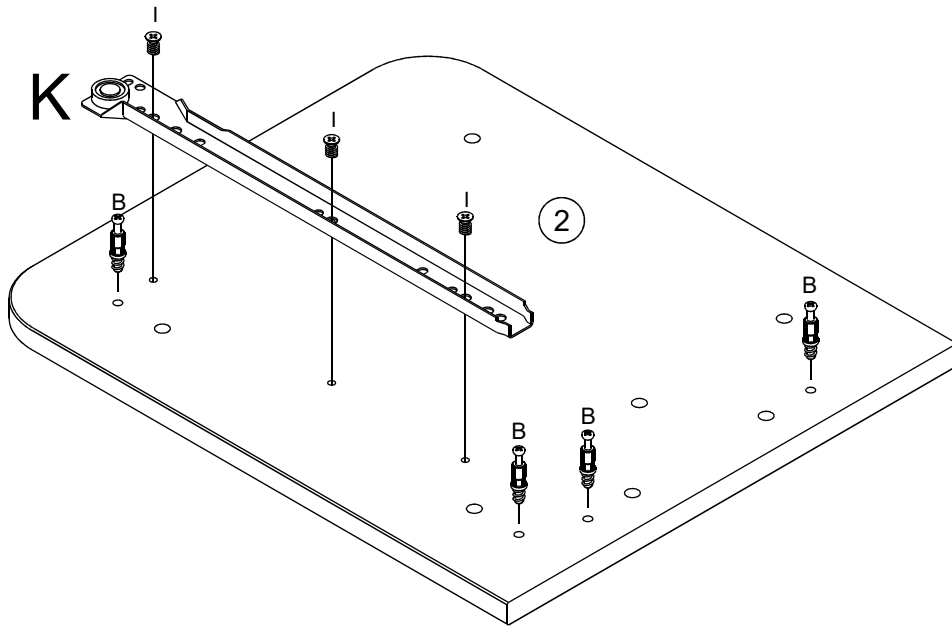


Phillips head screwdriver required for assembly
(not included)

*The hardware quantities listed above are required for proper assembly.
Some extra hardware may also have been included.*

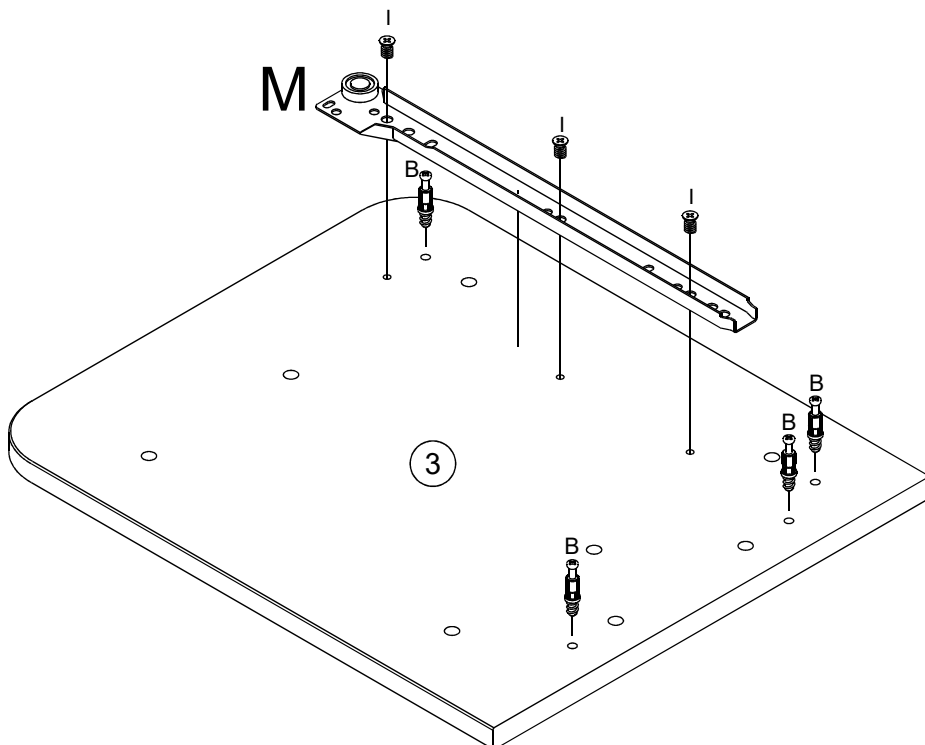
Step 1

Attach external left glide (K) to part (2) using screw (I) and fix minifix screw (B) to part (2) .



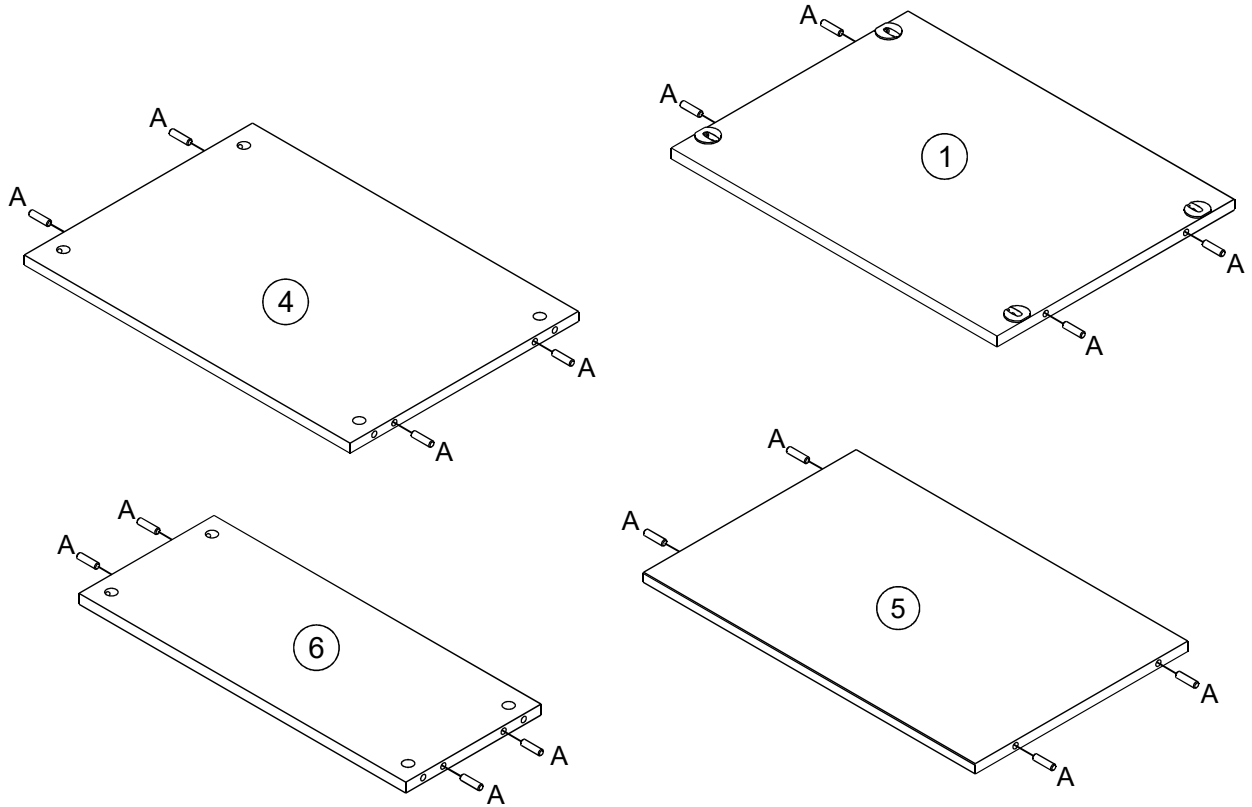
Step 2

Attach external right glide (M) to part (2) using screw (I) and fix minifix screw (B) to part (2) .



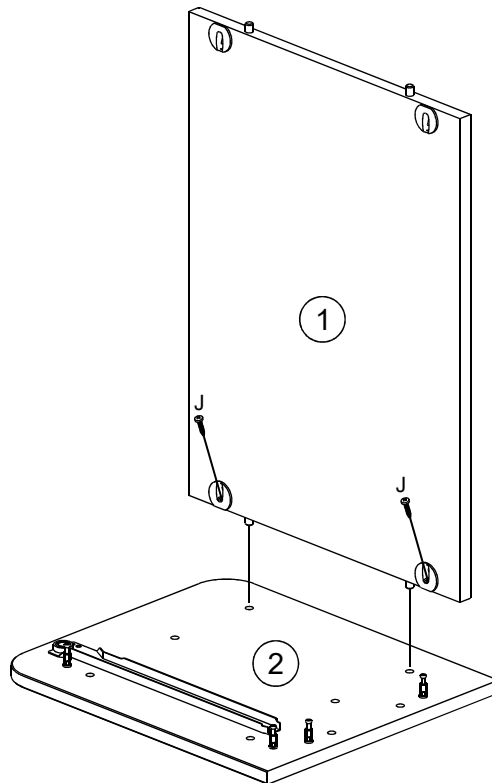
Step 3

Insert wood dowels (A) into parts (1,4,5,6).



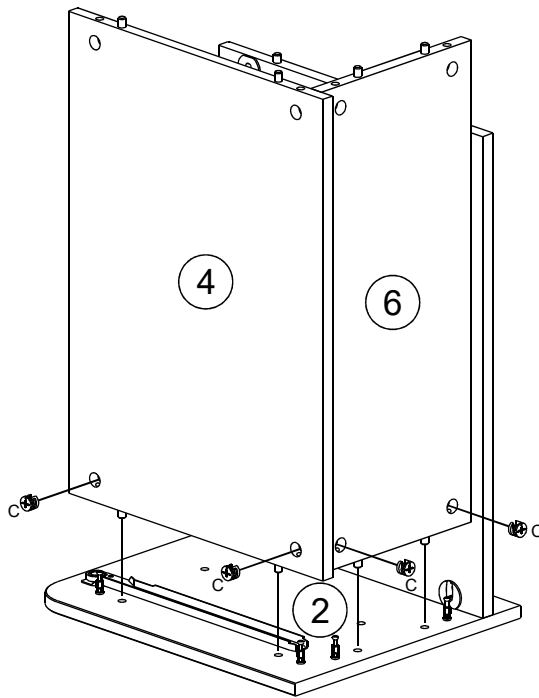
Step 4

Secure part (1) to part (2) using Screw (J).



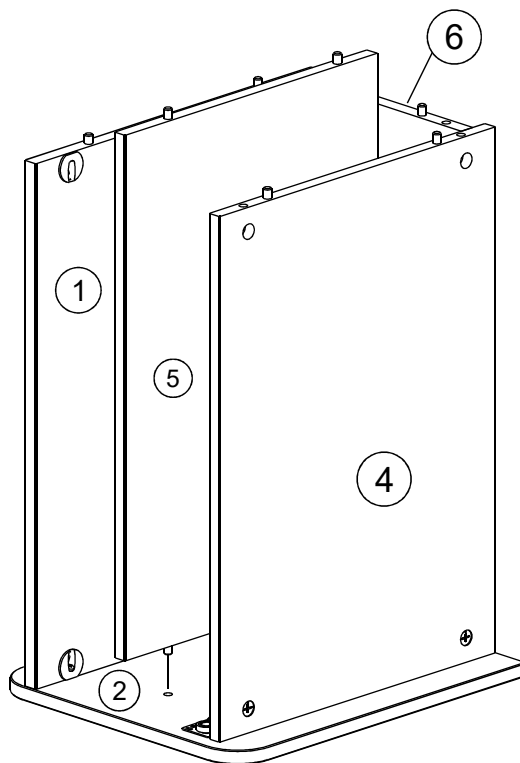
Step 5

Secure parts (4,6) to part (2) using minifix cam lock (C)



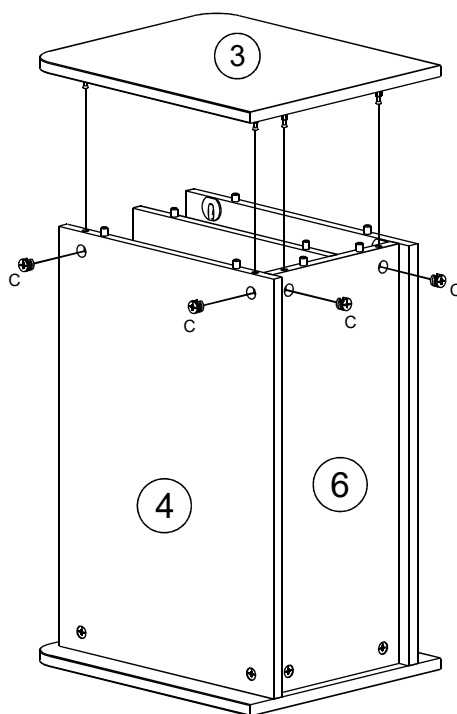
Step 6

Attach part (5) to part (2)



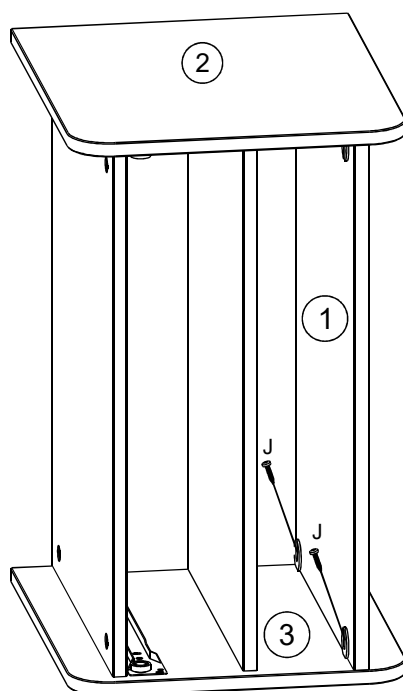
Step 7

Secure part (3) to parts (4,6) using minifix cam lock (C)



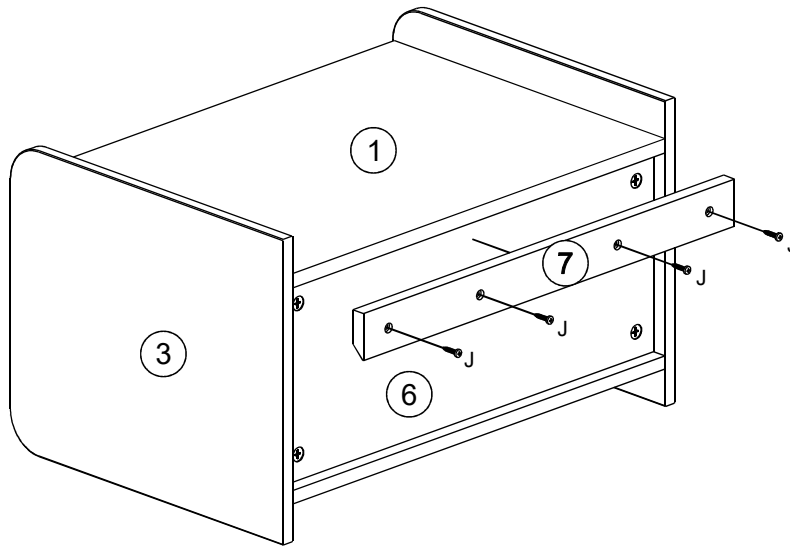
Step 8

Secure part (1) to part (3) using Screw (J).



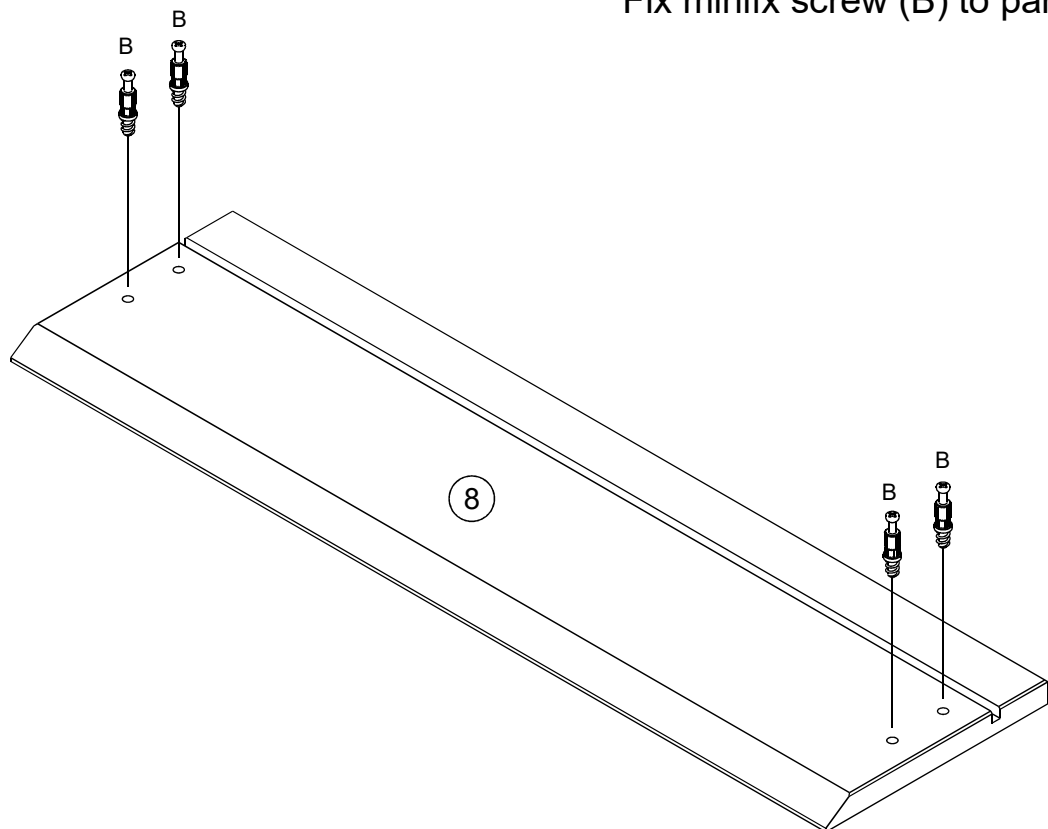
Step 9

Touch the top of part (7) to the face of part 1 and attach part (7) to part (6) using screw (J)



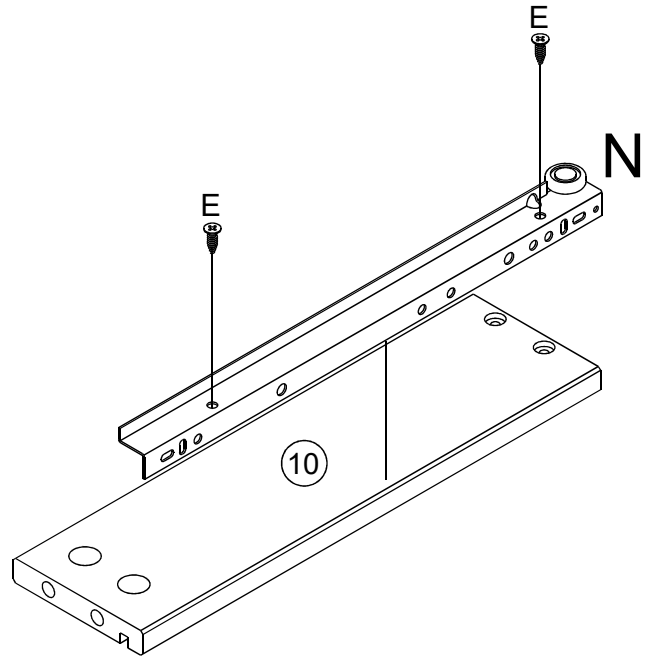
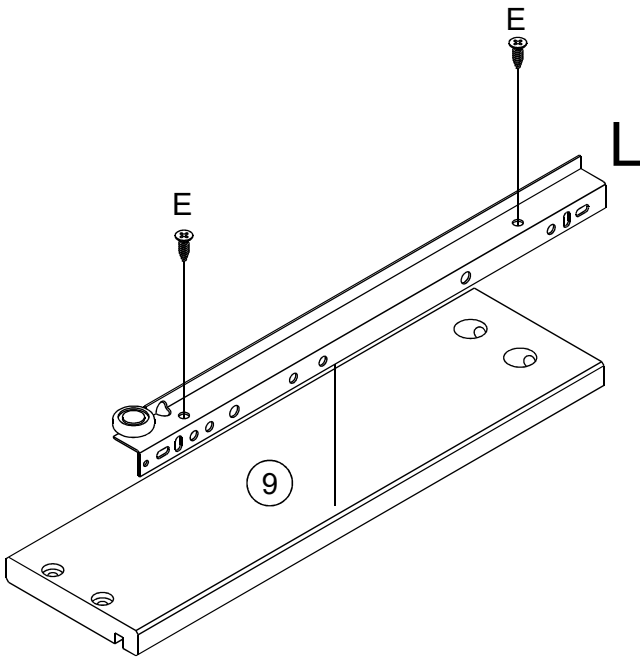
Step 10

Fix minifix screw (B) to part (8)



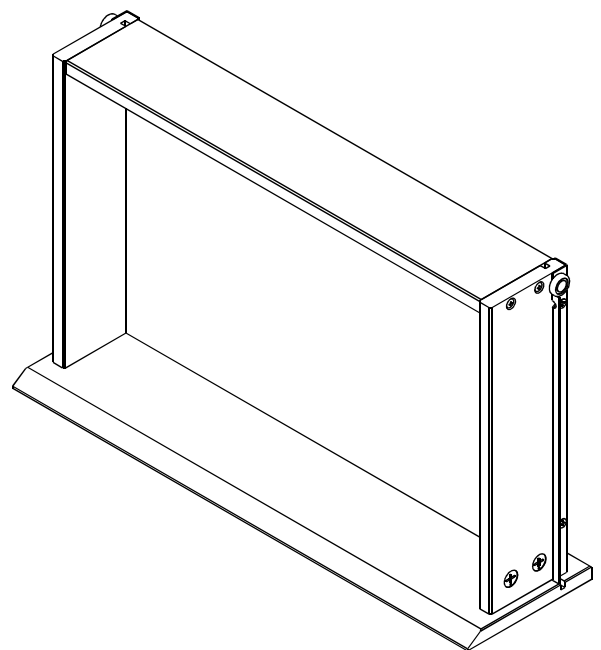
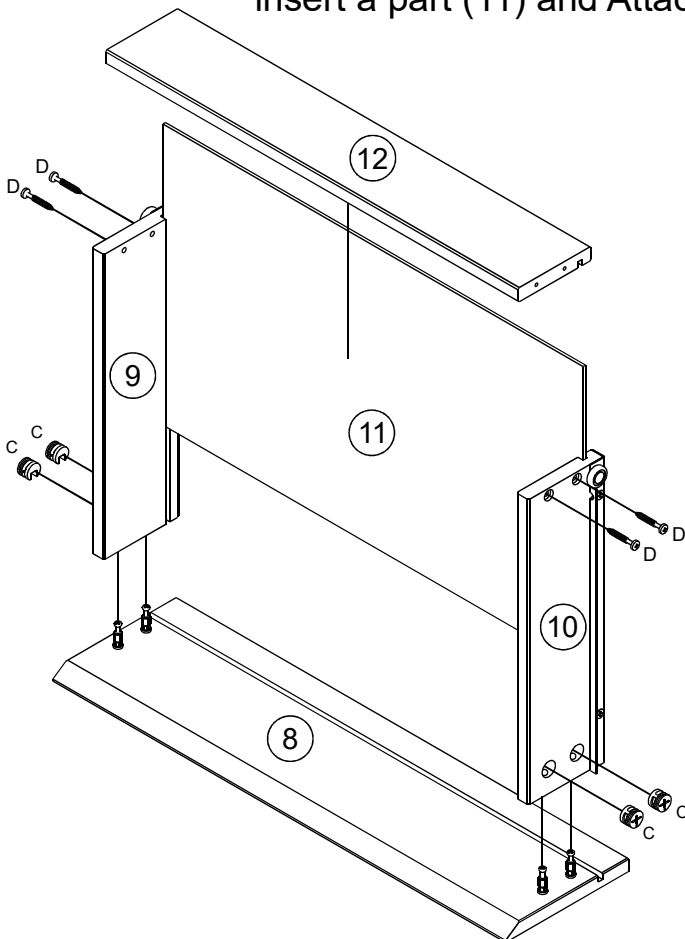
Step 11

Attach internal Left Glide (L) to part (9) using screw (E) and Attach internal Right Glide (N) to part (10) using screw (E)



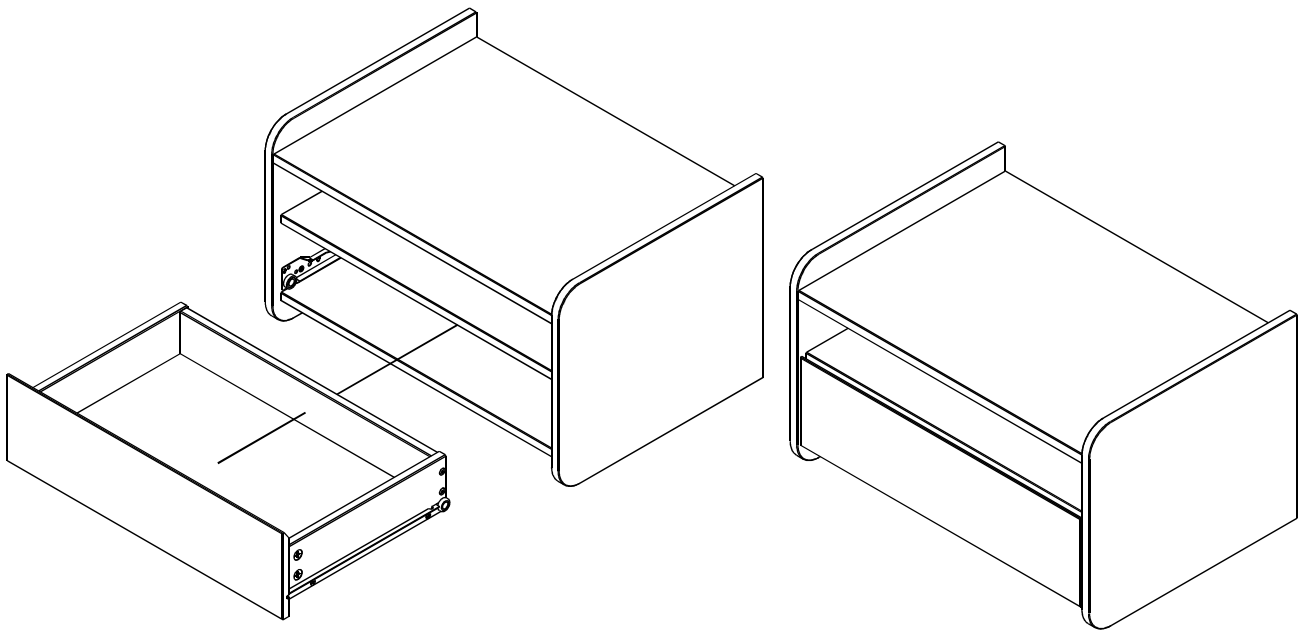
Step 12

Secure part (8) to parts (9,10) using minifix cam lock (C), insert a part (11) and Attach part (12) to parts (9,10) using screw (D)



Step 13

Insert the drawer



Step 14

Wall anchor and hardware are included with this product. please make sure hardware is suitable for your walls before installing, as different wall materials may require different types of anchors. Insert wall anchor F or H to wall and attach part (13) to wall using screw (G). Start drilling from G1 to adjust the distance, then drill the G2 to adjust the height alignment and then G3.

