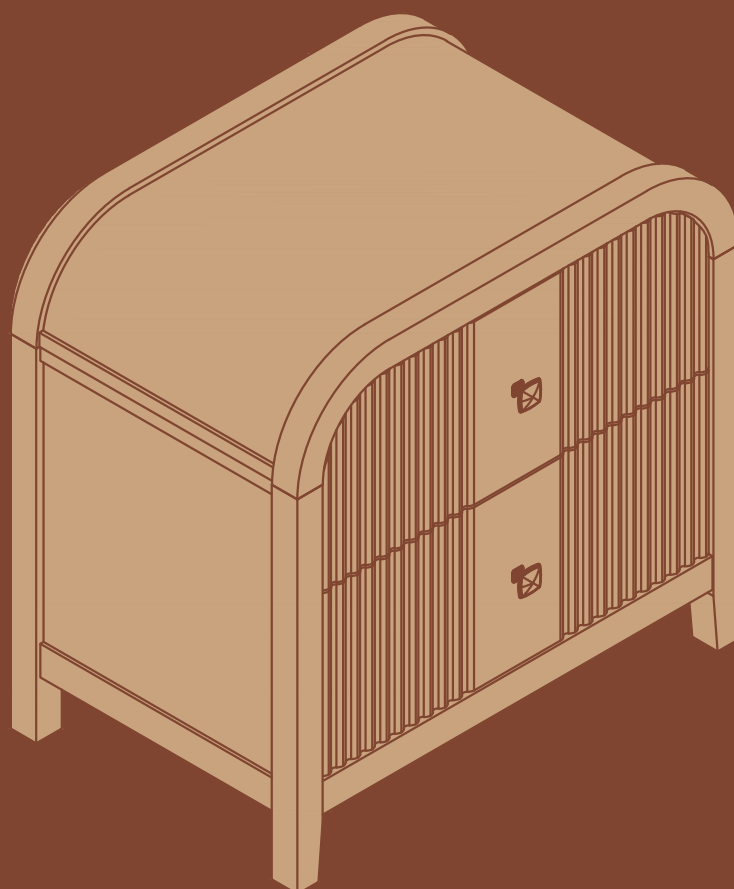


# ASSEMBLY INSTRUCTION



Nightstand

# CATALOGUE

---

Precautions	01
Parts List	02
Hardware List	03
Tool List	04
Assembling Process	05-28

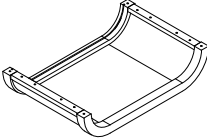
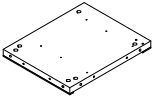
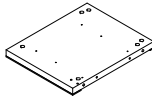
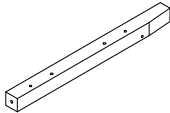
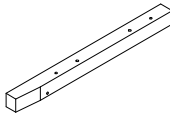
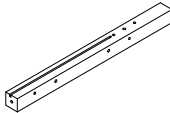
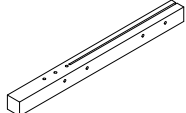
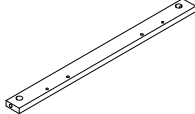
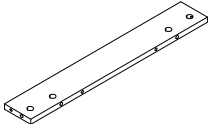
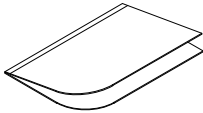
## INTRODUCTION

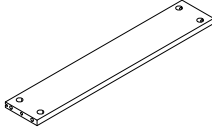
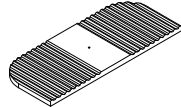
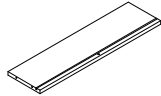
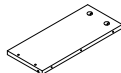
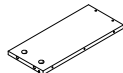
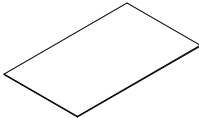
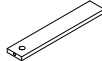
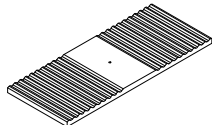
Thank you for purchasing our products. Please read the instructions carefully before installation and keep it in a safe place for future reference. If you need any assistance or support, please feel free to contact our customer support team.

## PRECAUTIONS




1. There are many components and accessories in the package. Each component and accessory is labeled with a letter or a number, check carefully before using any of them. Keep them away from children to prevent accidents.
  2. Please install the product on a clean and soft underlay (such as carpet or cardboard) to avoid scratching or damaging the surface of the product.
  3. The main components of the product is relatively heavy. Please pay attention to safety during installation.
  4. The product is not stable during installation. Please do not move it randomly before it is completely installed.
  5. If you have any questions during installation, please contact the customer service in time.
- \* **Please be sure to follow the installation steps in the manual to avoid unnecessary losses caused by improper installation.**
  - \* **If you need further assistance, please contact the customer service online.**

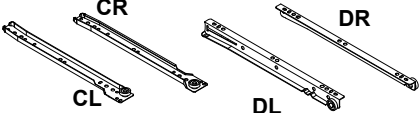
**Parts List**

ID	Parts	QTY
<b>1</b>		<b>1</b>
<b>2</b>		<b>1</b>
<b>3</b>		<b>1</b>
<b>4</b>		<b>1</b>
<b>5</b>		<b>1</b>
<b>6</b>		<b>1</b>
<b>7</b>		<b>1</b>
<b>8</b>		<b>1</b>
<b>9</b>		<b>1</b>
<b>10</b>		<b>1</b>

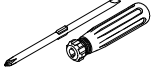
ID	Parts	QTY
<b>11</b>		<b>1</b>
<b>12</b>		<b>1</b>
<b>13</b>		<b>2</b>
<b>14</b>		<b>2</b>
<b>15</b>		<b>2</b>
<b>16</b>		<b>2</b>
<b>17</b>		<b>2</b>
<b>18</b>		<b>1</b>

# Hardware List

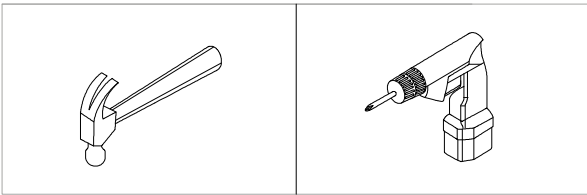
ID	Parts	QTY
<b>A</b>	 Ø6*33.5mm	32+3
<b>B</b>	 Ø15*9.5mm	32+3
<b>C</b>	 Ø6*30mm	22+2
<b>D</b>		4
<b>E</b>	 Ø3.5*12mm	24+2
<b>F</b>	 Ø4*38mm	10+1
<b>G</b>		2
<b>H</b>	 M4*20mm	2
<b>I</b>	 Ø3*15mm	4+1
<b>J</b>		32+3

ID	Parts	QTY
		2 SET

## Tool List

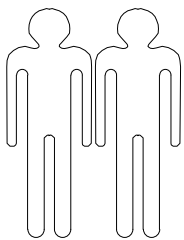
ID	Parts	QTY
<b>Z1</b>		1

### Required Tools (Not Included)

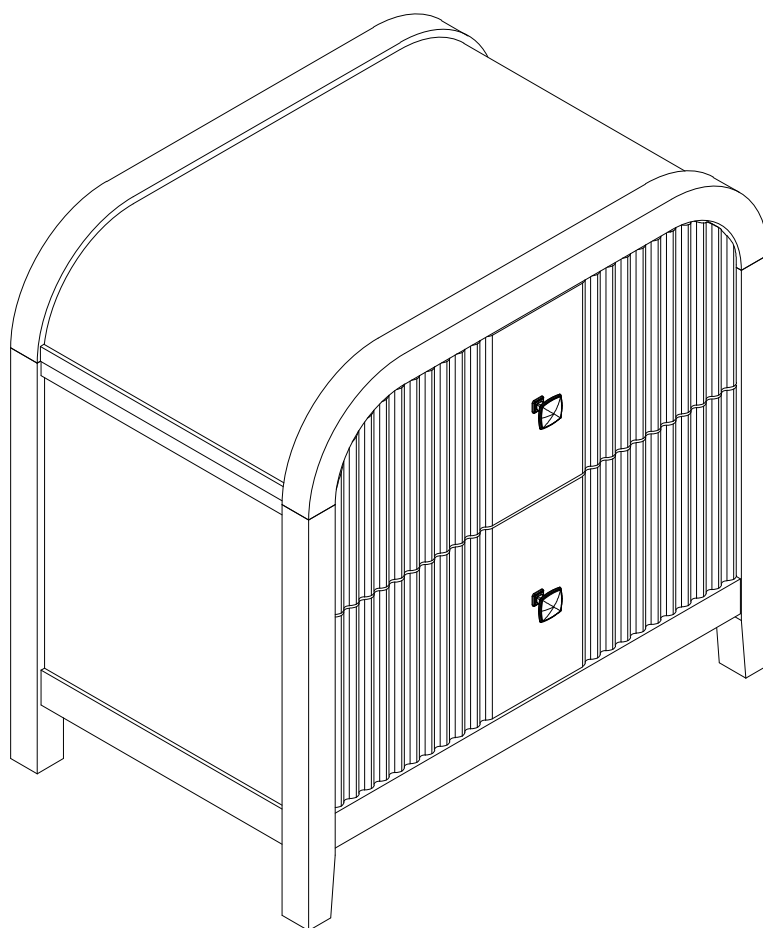


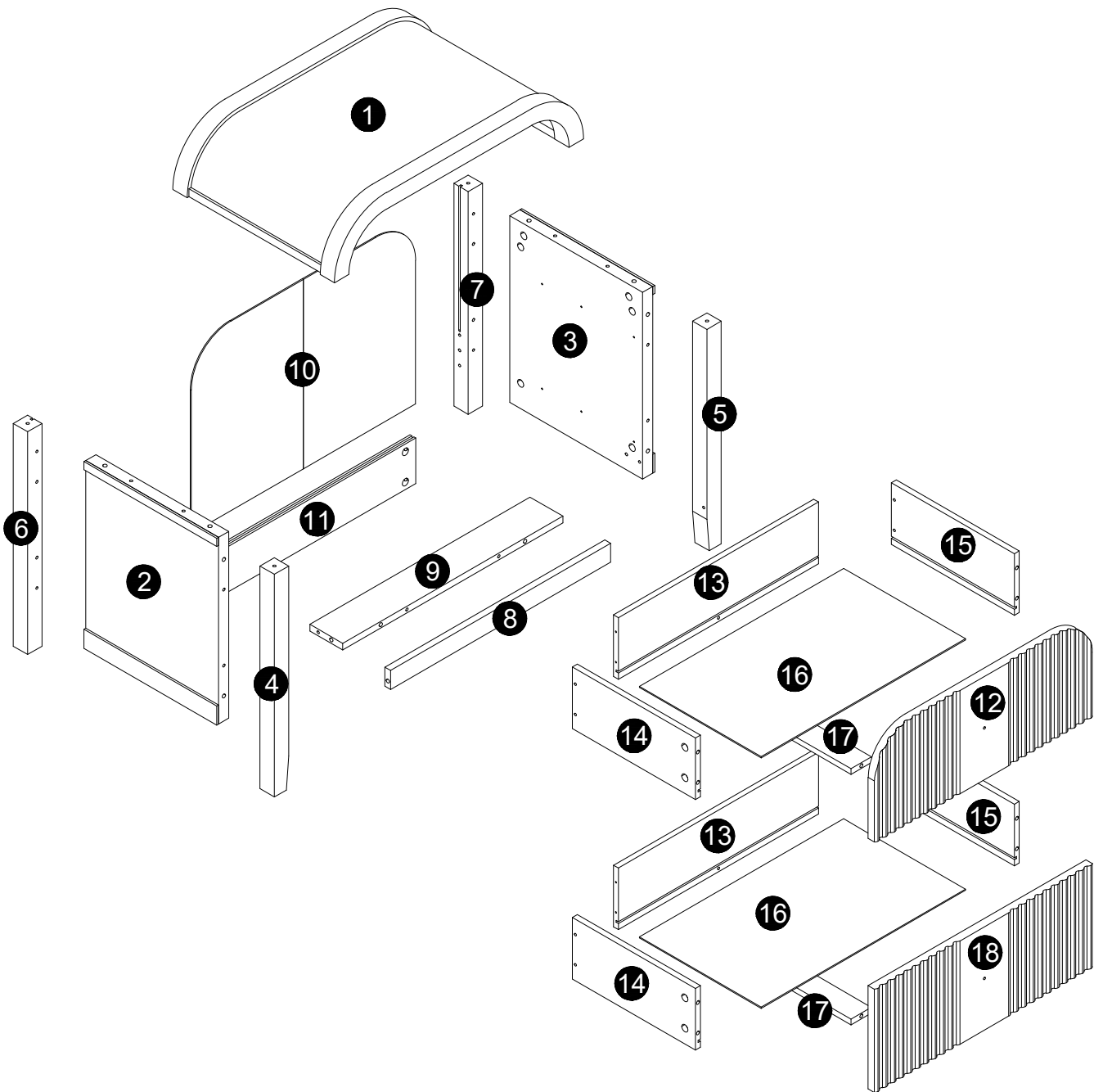
Wall mounting only

These tools are not required for product assembly.

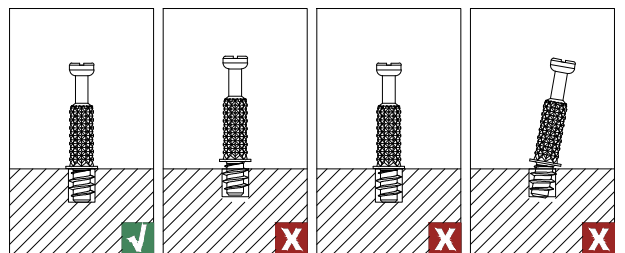
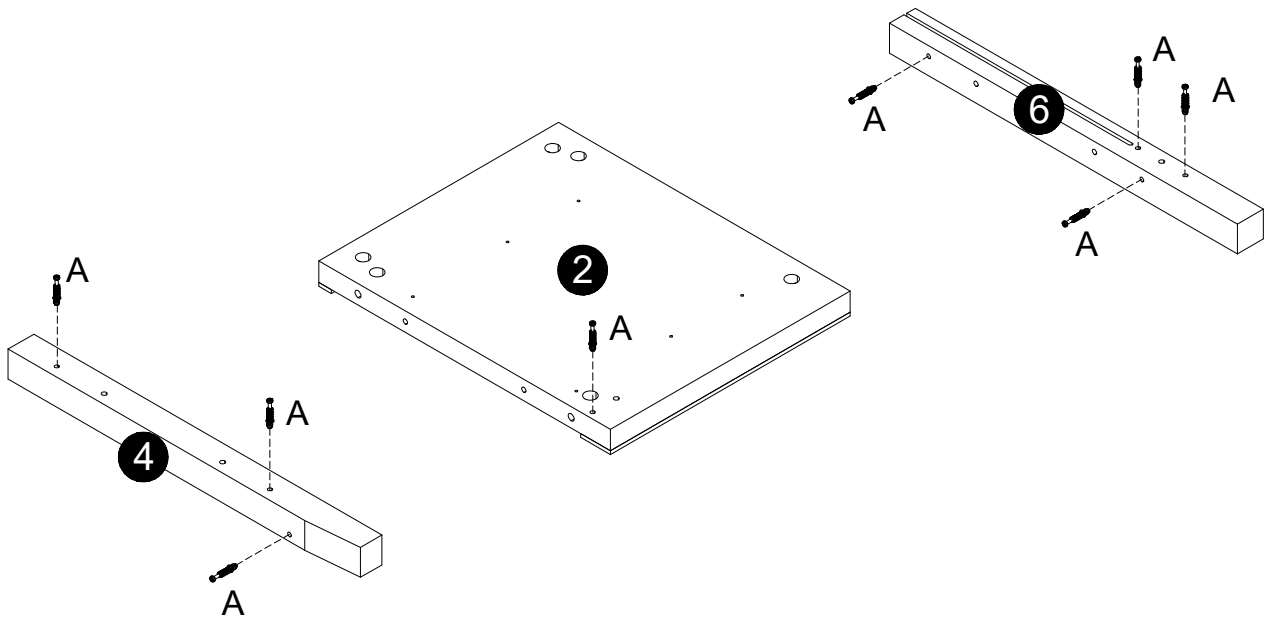


Multi-person installation



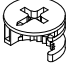



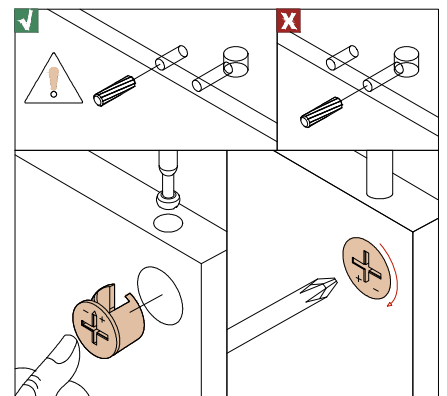
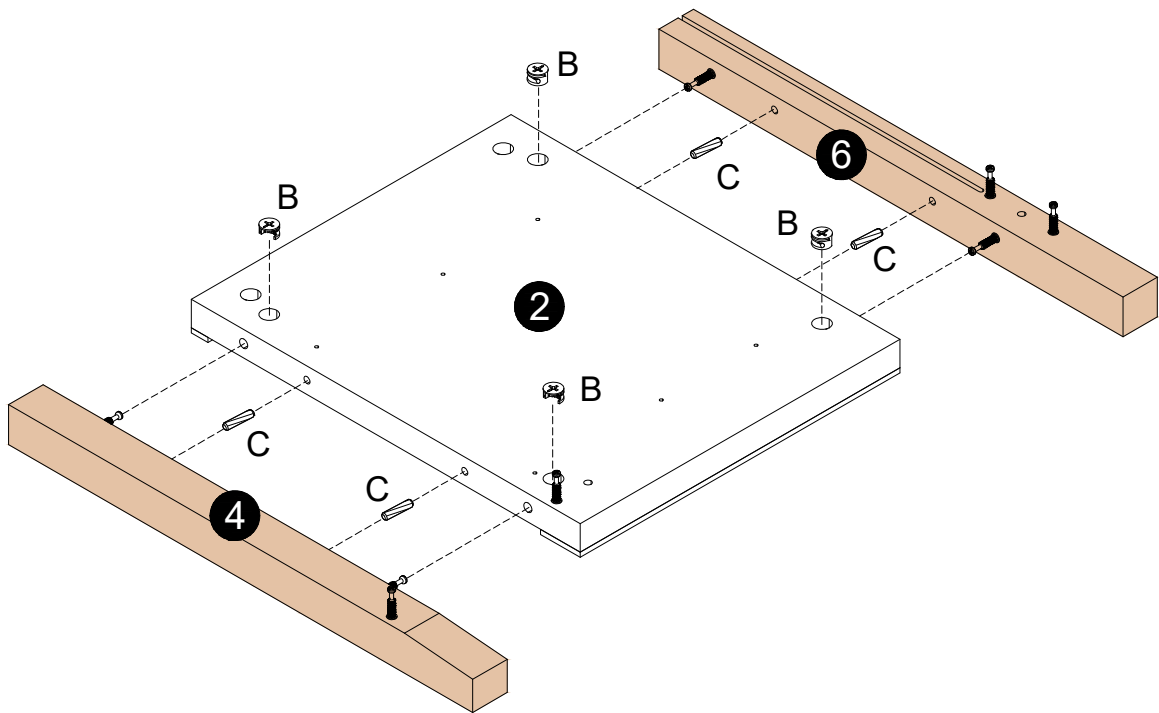
# STEP 1




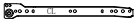
Install the screw correctly to secure the screw.

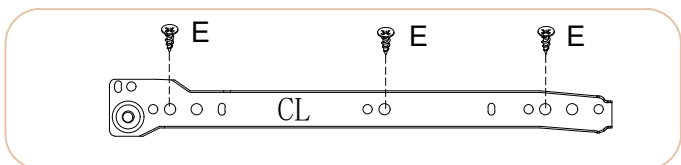
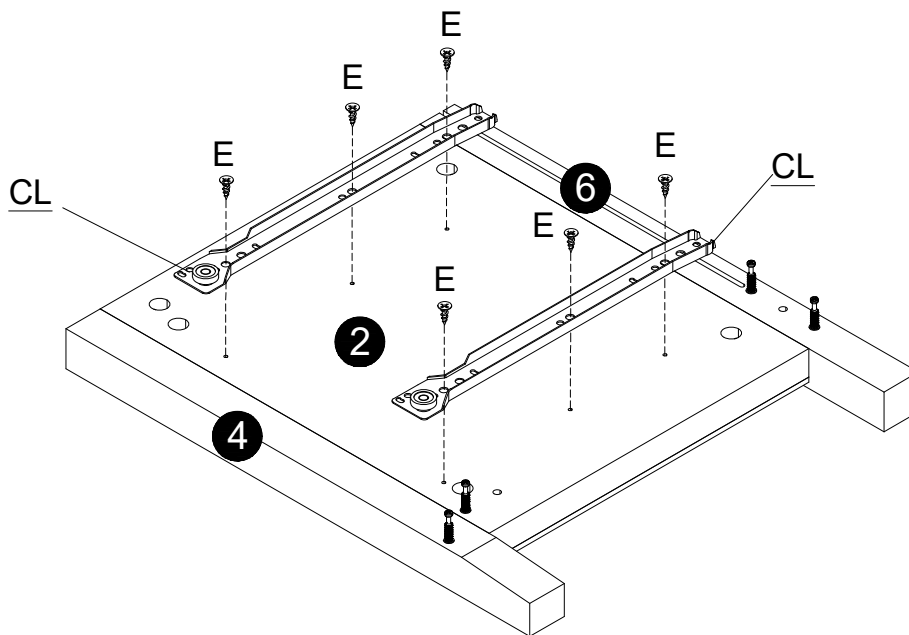
# STEP 2


-  **B** X4
-  **C** X4

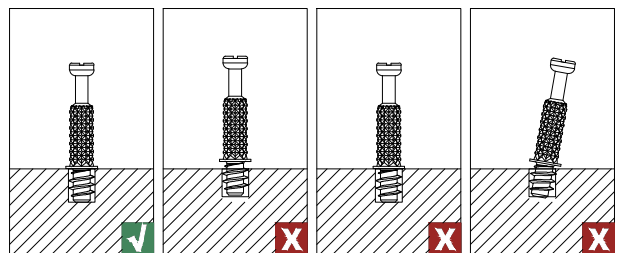
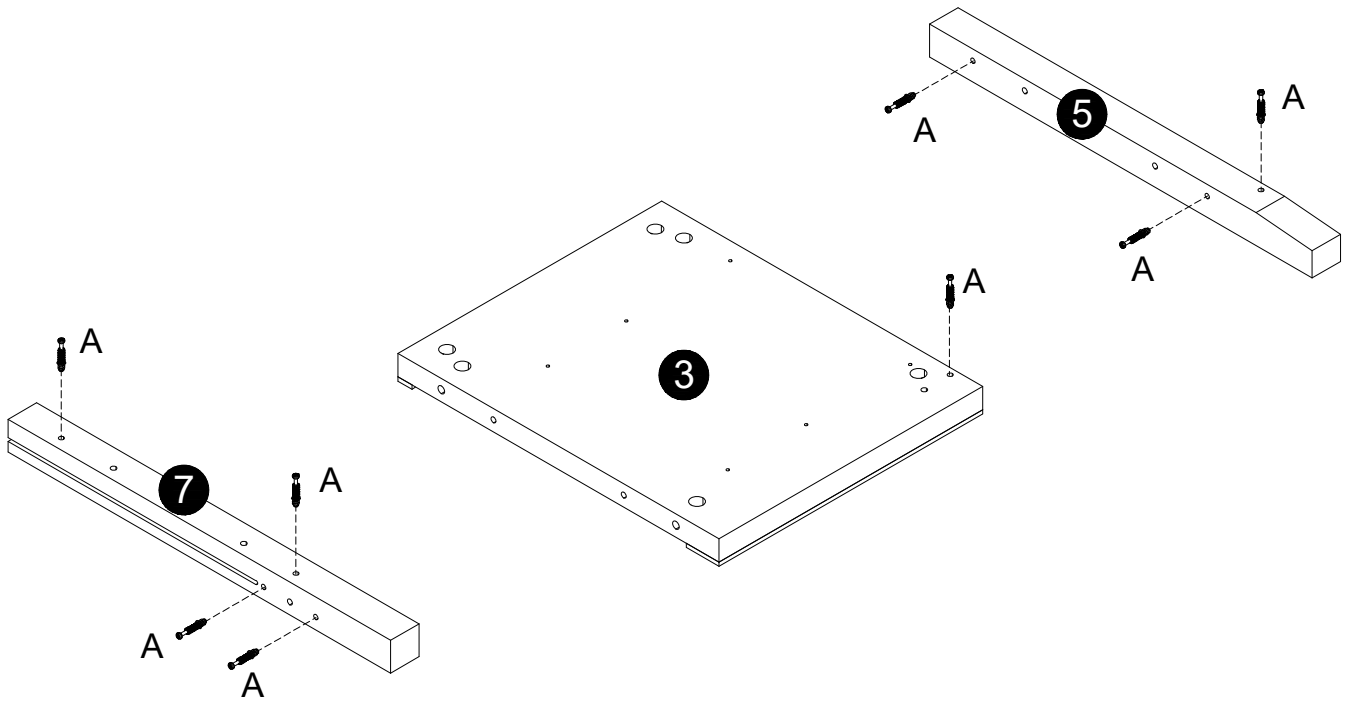


# STEP 3

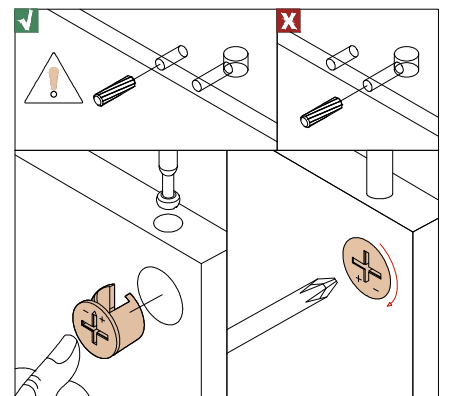
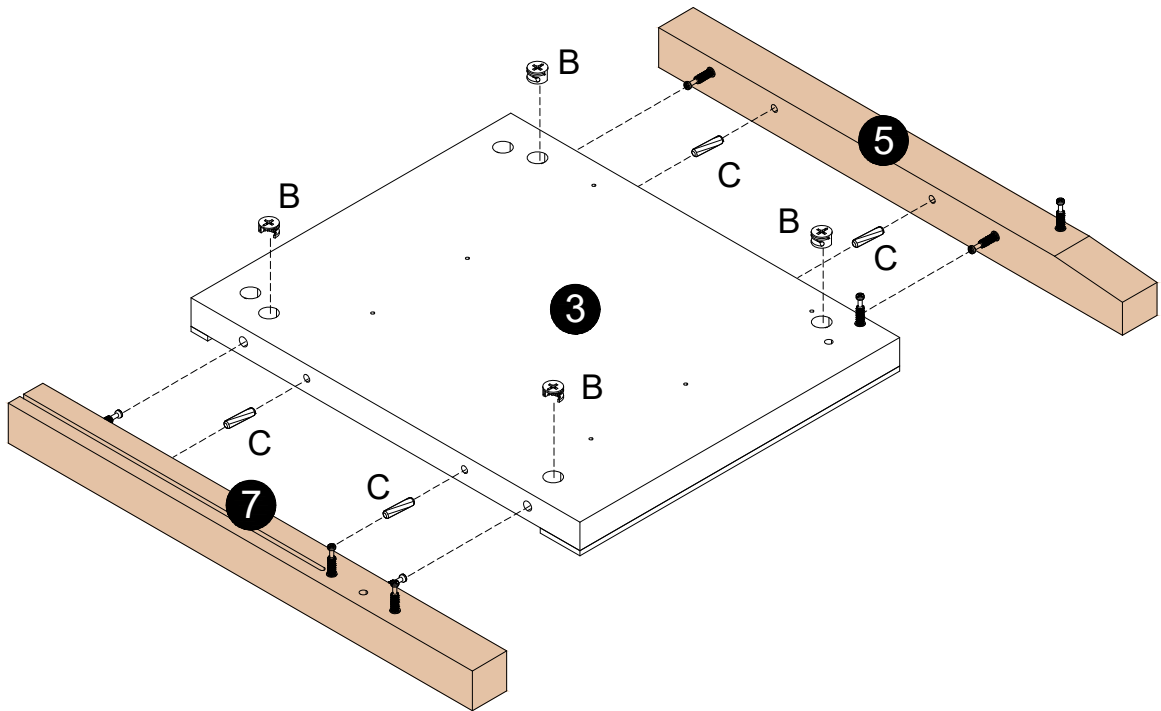
-  **E** X6
-  **CL** X2





 Pay attention to the position of the screws

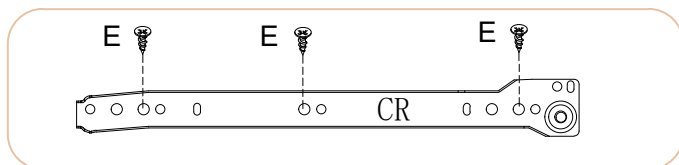
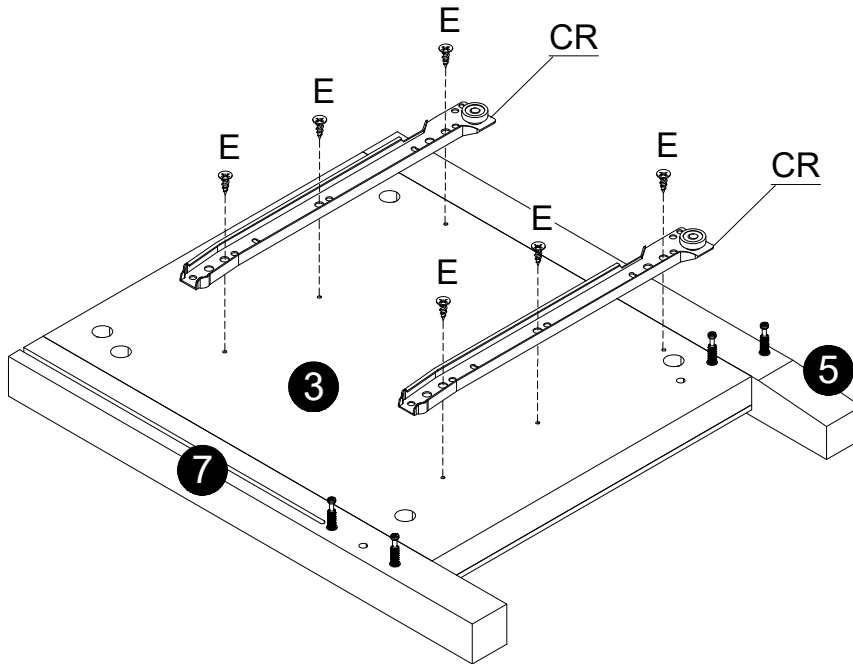
**STEP 4** **A** X8


Install the screw  
correctly to secure  
the screw.

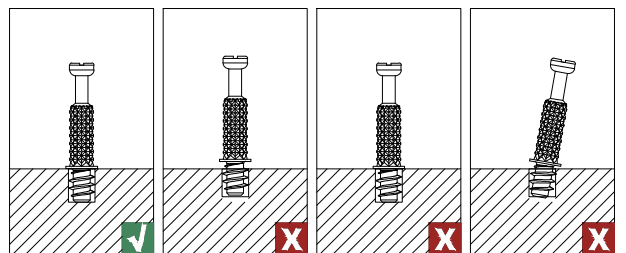
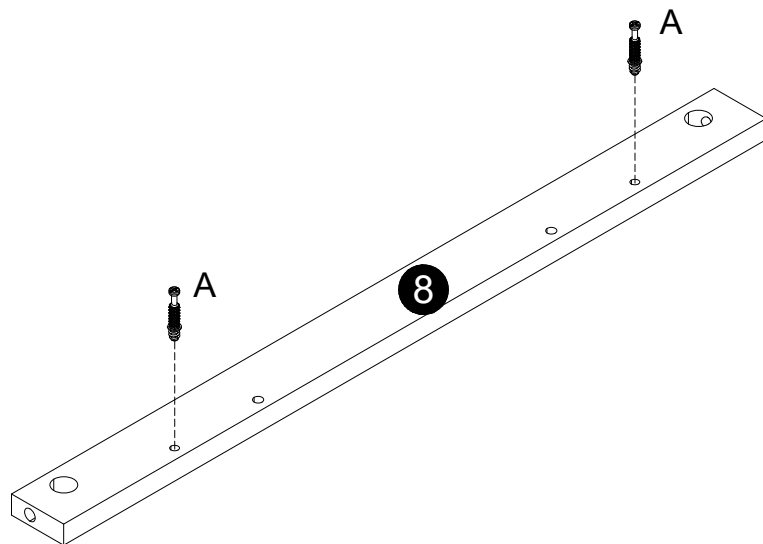
**STEP 5****B** X4**C** X4

# STEP 6

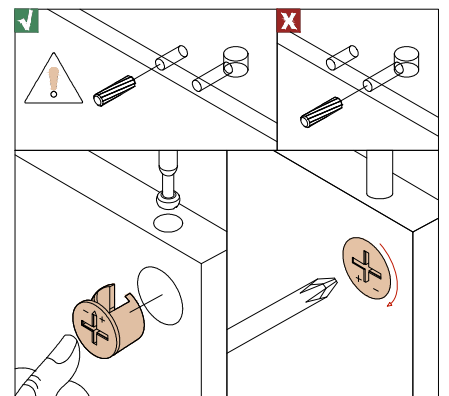
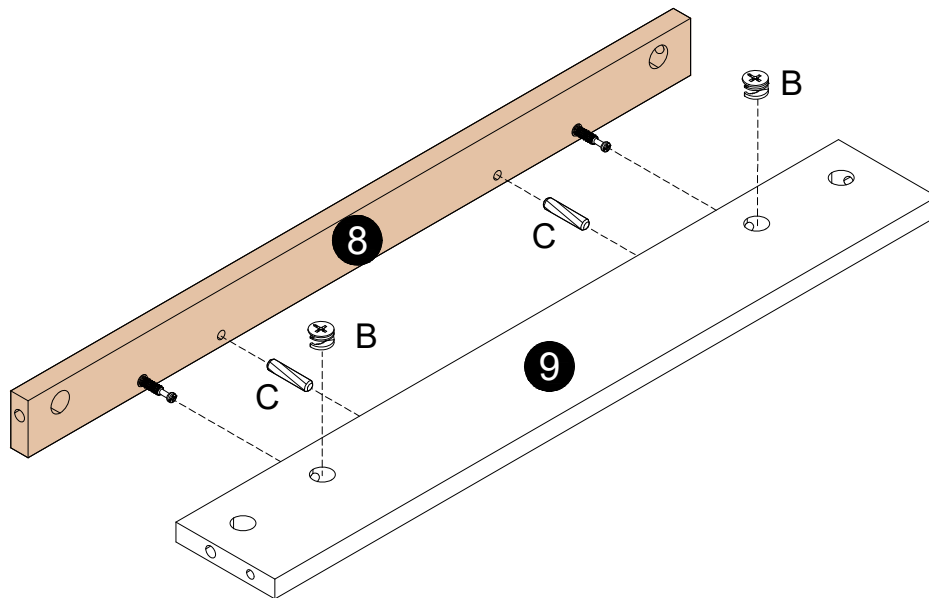
- 
E X6
- 
CR X2

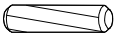
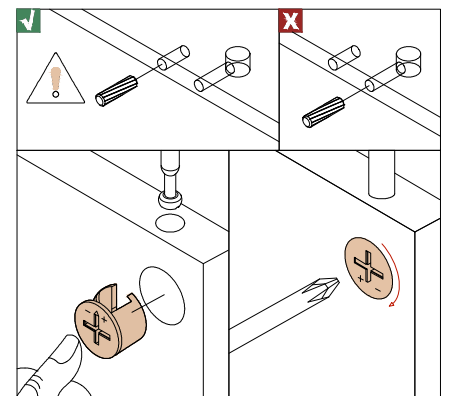
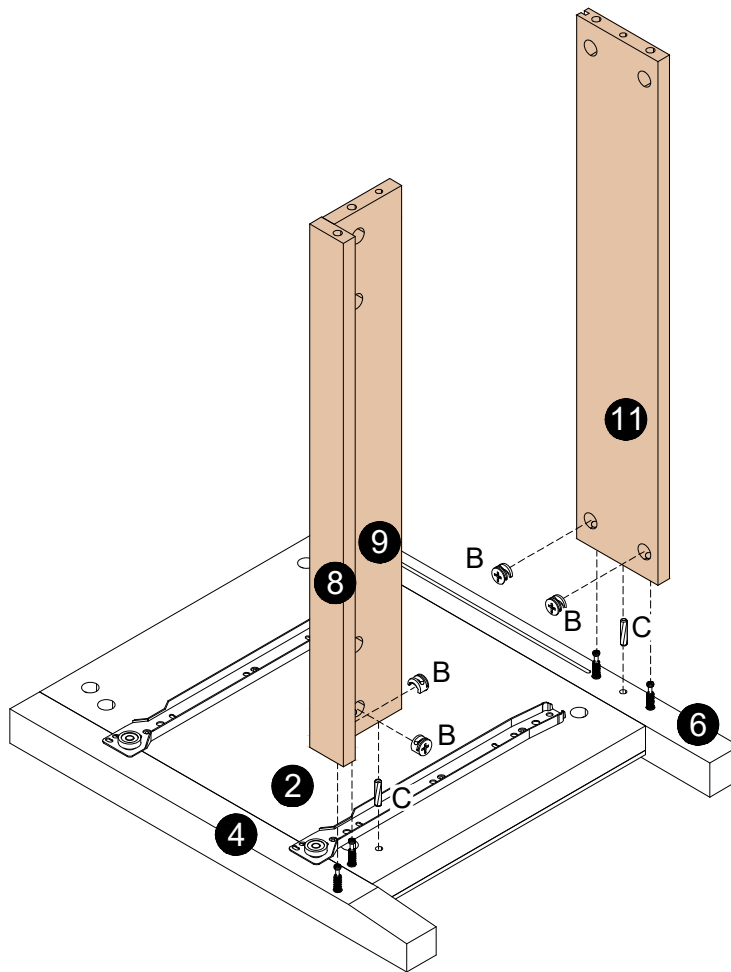


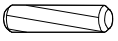
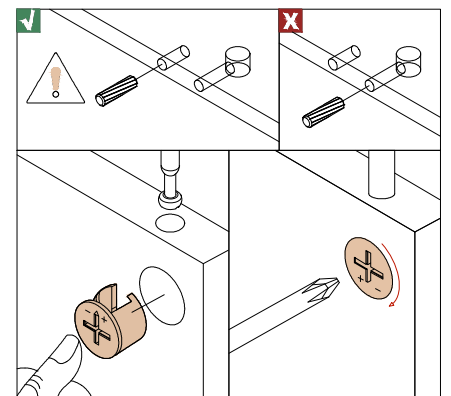
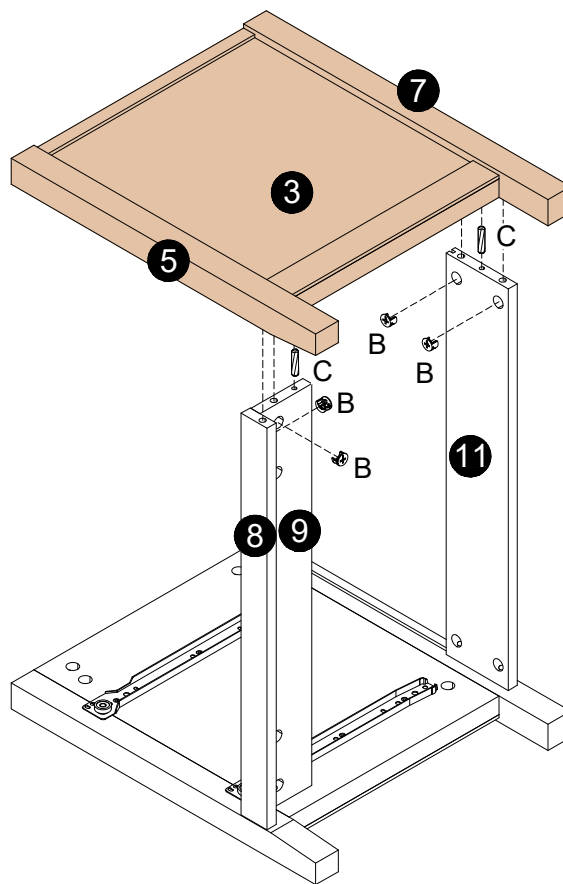
 Pay attention to the position of the screws

**STEP 7**

Install the screw correctly to secure the screw.

**STEP 8****B** X2**C** X2

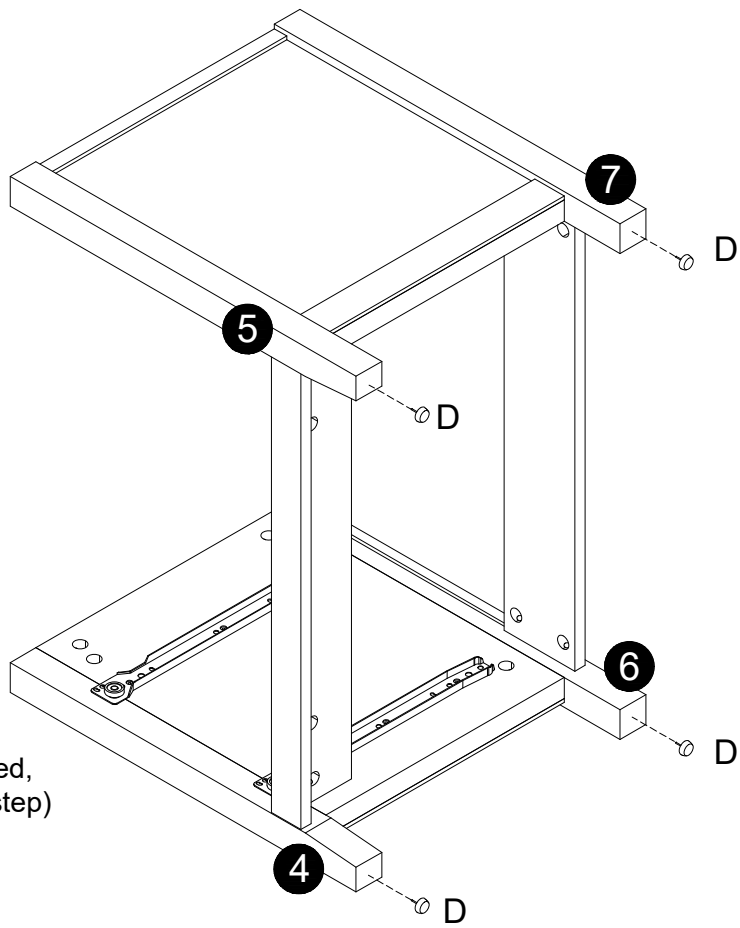
**STEP 9****B** X4**C** X2

**STEP 10****B** X4**C** X2

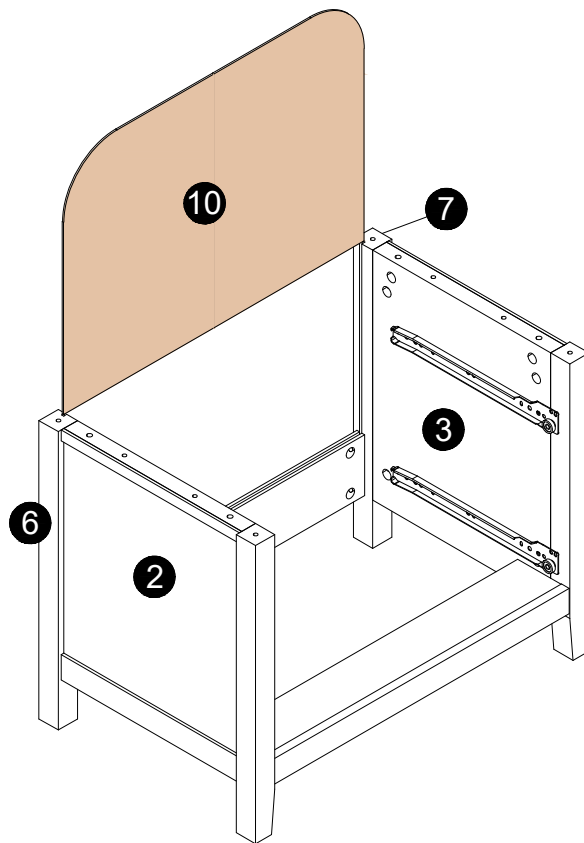
# STEP 11

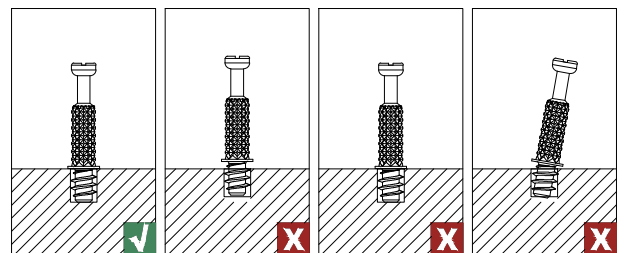
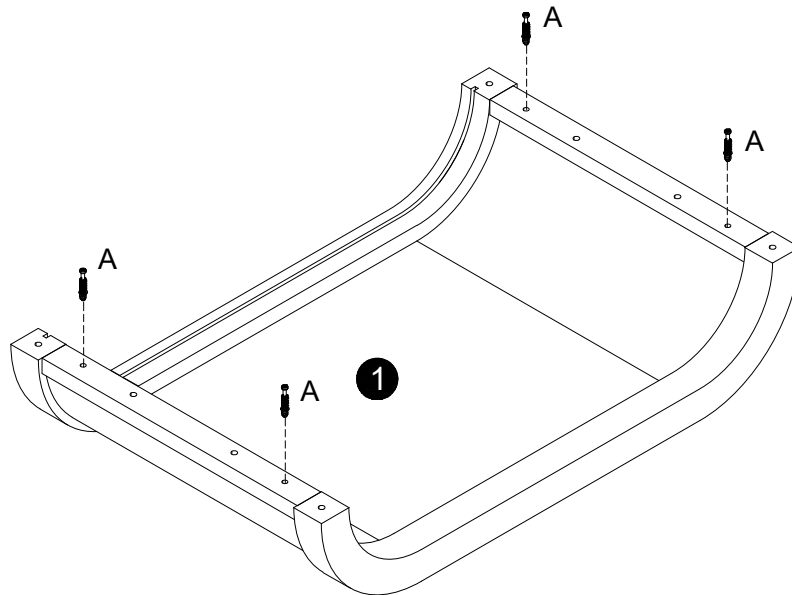


**D** X4



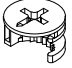
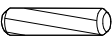
After this step is assembled,  
flip it 90 degrees(to next step)

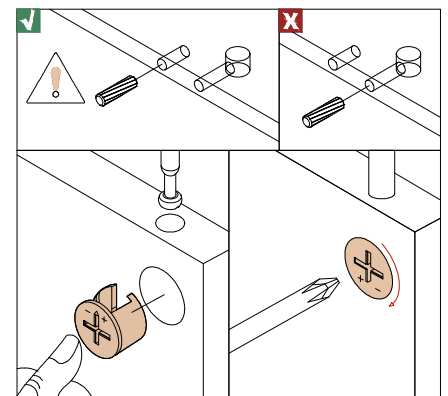
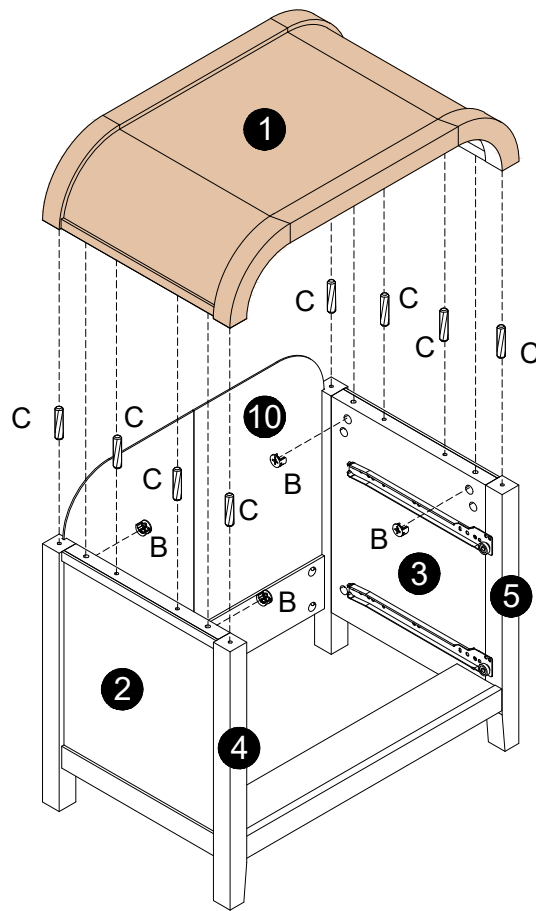
**STEP 12**

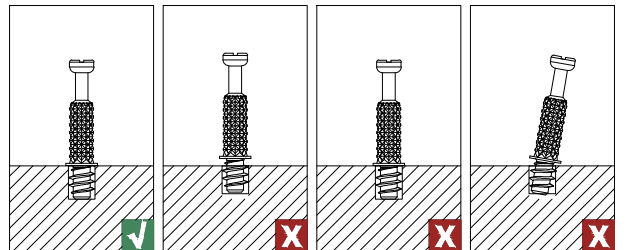
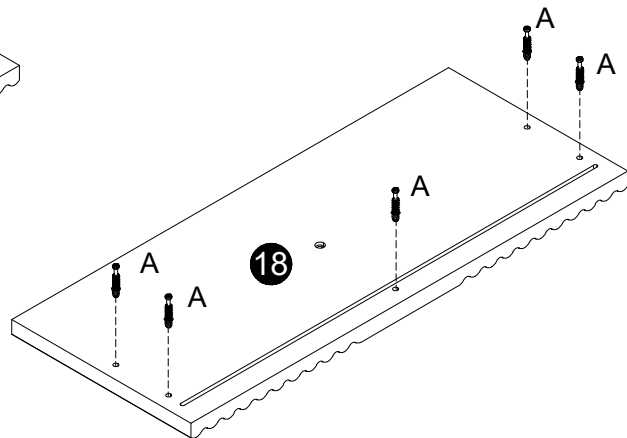
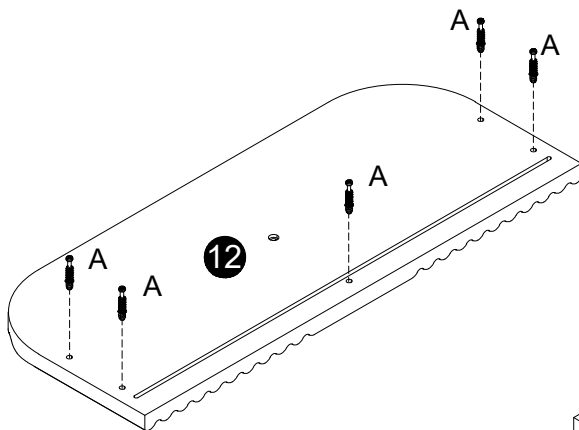
**STEP 13**

Install the screw  
correctly to secure  
the screw.

# STEP 14

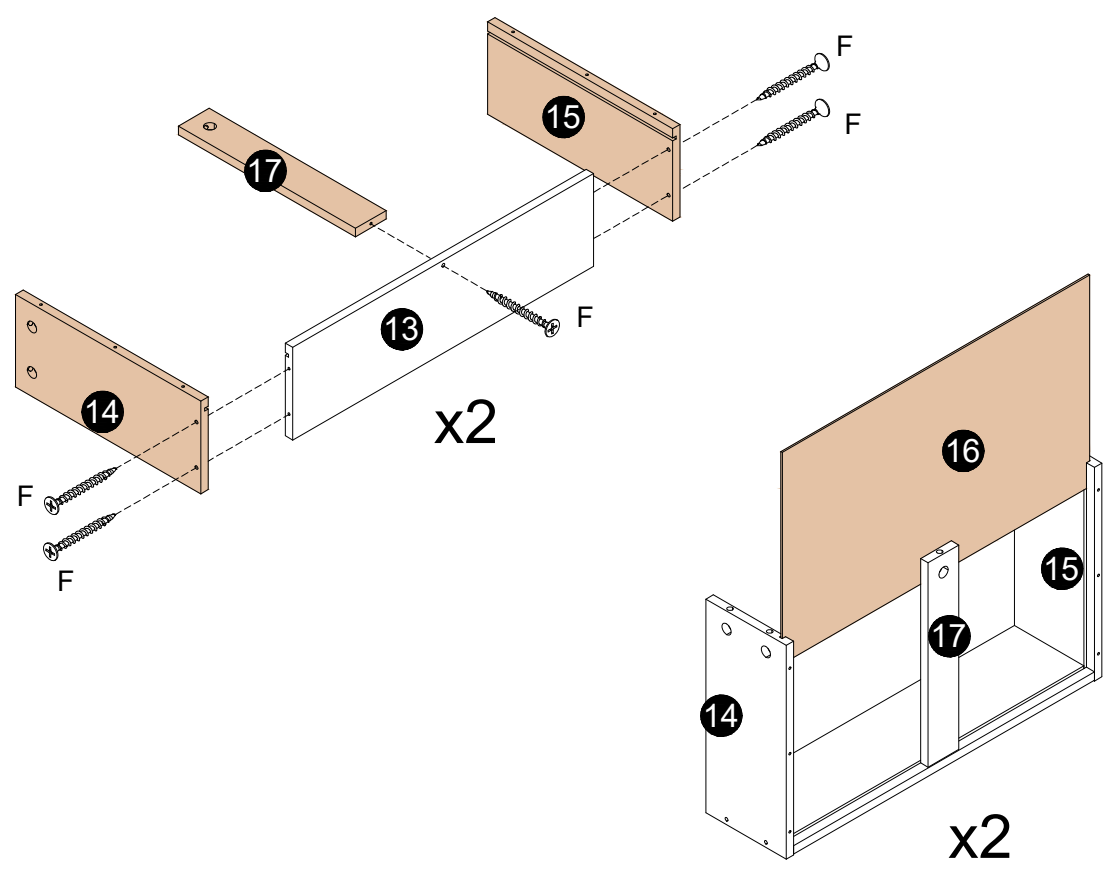
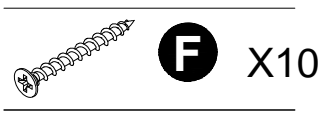
- 
B X4
- 
C X8

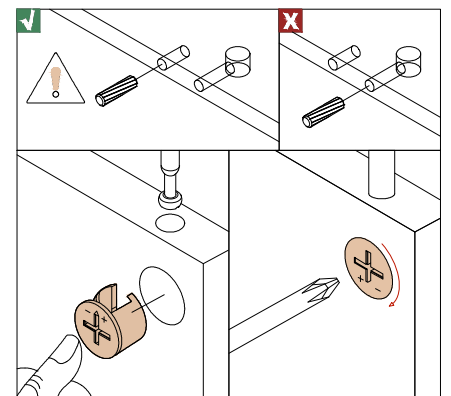
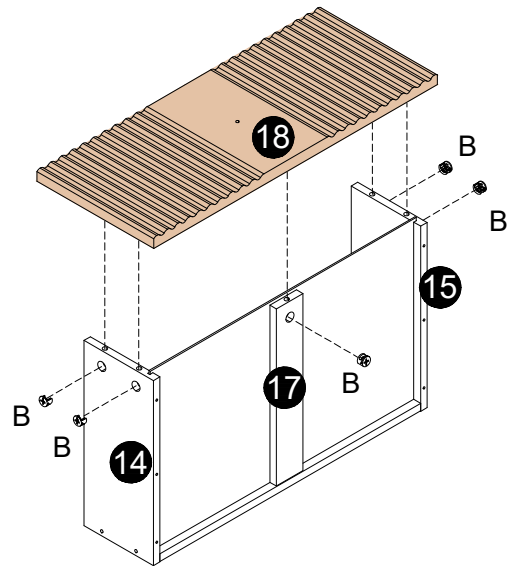
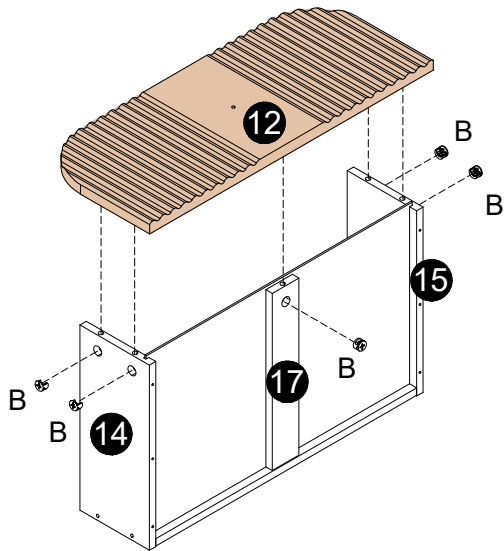


**STEP 15**


Install the screw correctly to secure the screw.

# STEP 16

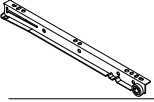


**STEP 17****B** X10

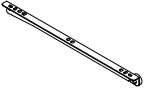
# STEP 18

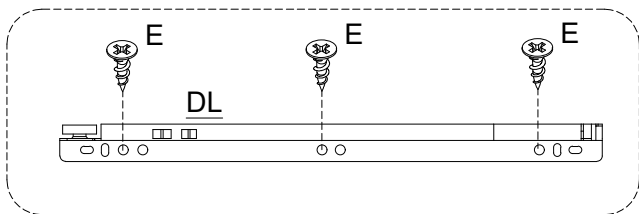
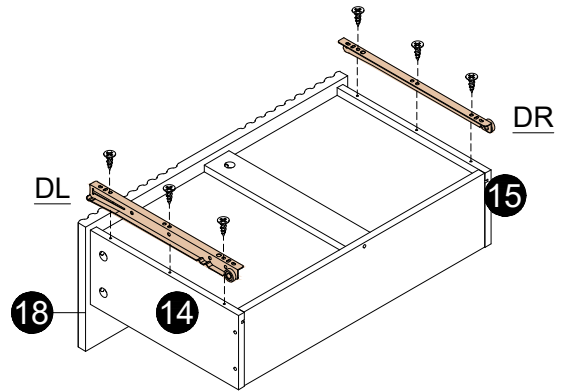
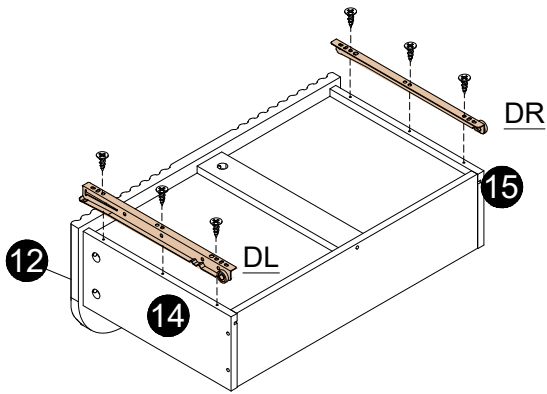
-  **E** X12


---

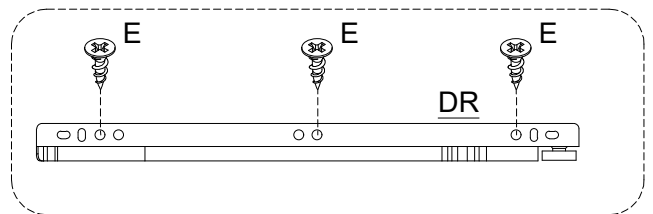
-  **DL** X2


---

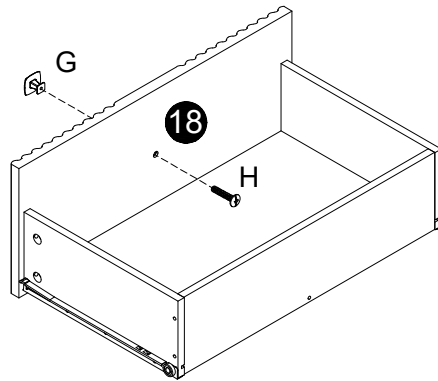
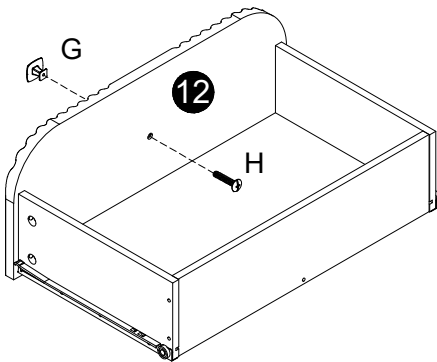
-  **DR** X2

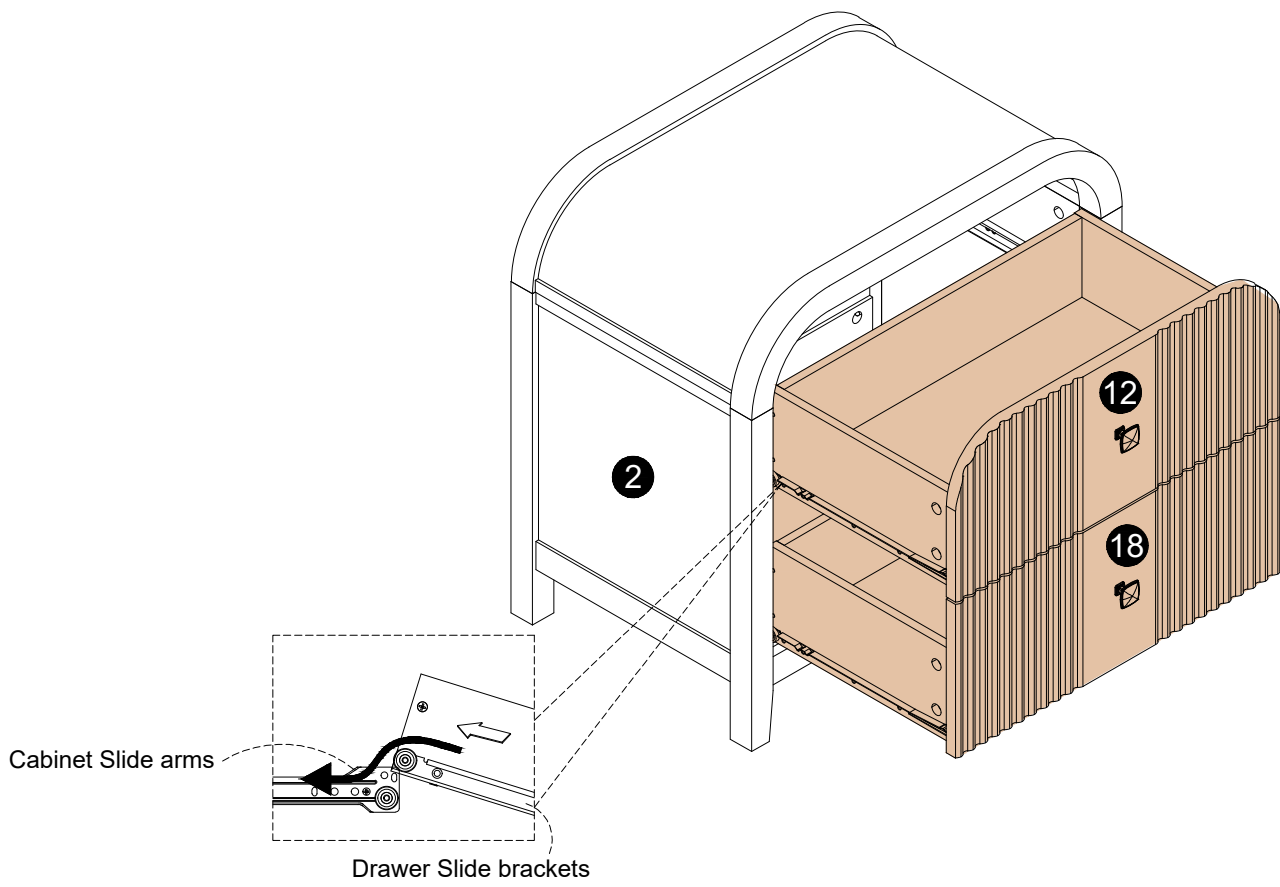


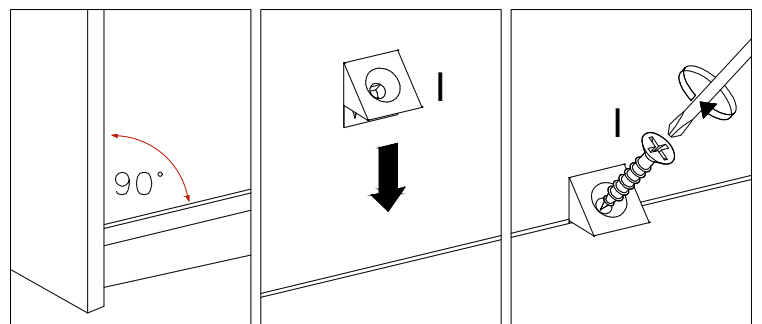
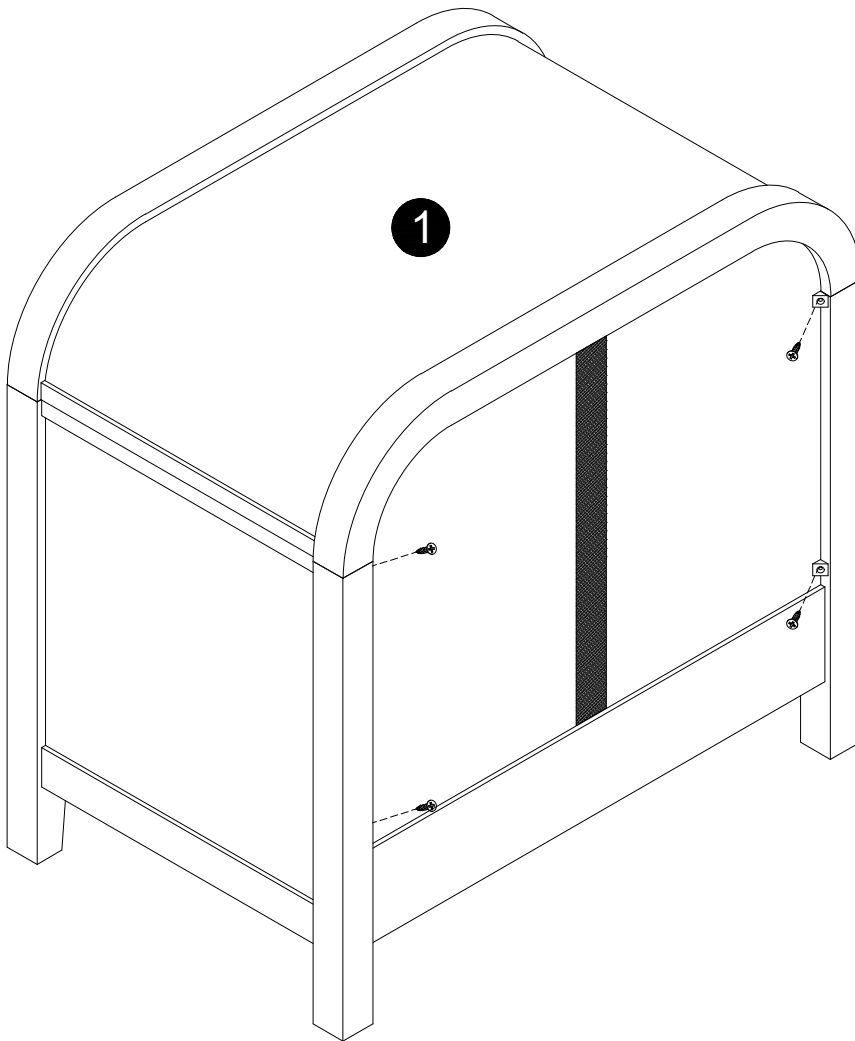
 Pay attention to the position of the screws

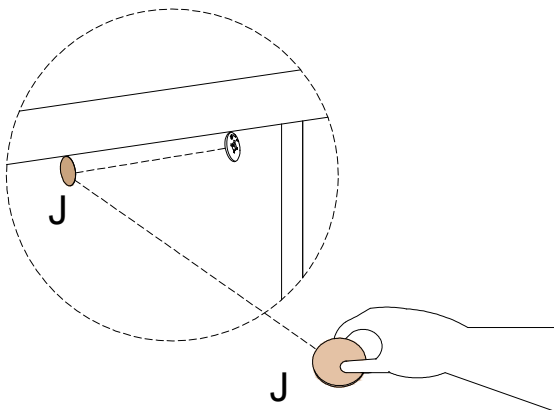
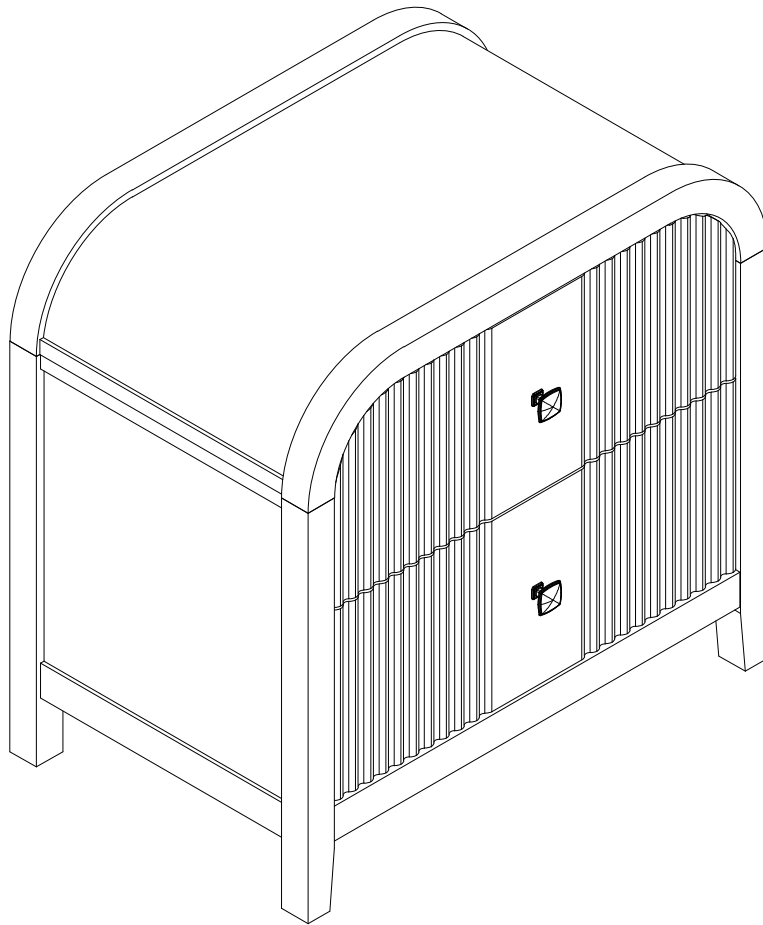


 Pay attention to the position of the screws

**STEP 19****G** X2**H** X2

**STEP 20**

**STEP 21** **1** X4

**STEP 22****J** X32







After-Sales Service Hotline: (800) 661-5928