

# WA45M7050AW

SAMSUNG

## Samsung Top-Load Washer

4.5 cu. ft. Capacity DOE



### Signature Features

#### 4.5 cu. ft. Capacity

- Fewer washes, less time in the laundry room.

#### VRT Plus™ Technology

- Reduces vibration 40% more than standard VRT™ for quiet washing.\*

\*Based on Owens Corning sounds power testing.

#### Self Clean

- Keeps your laundry drum fresh and odor-free.
- Sends reminders to clean the tub every forty wash cycles.

### Available Color



White



VRT Plus™ Technology



Self Clean

### Features

- 4.5 cu. ft. Capacity
- VRT Plus™ Technology
- Self Clean
- Diamond Drum Design
- EZ Drawer Dispenser
- 800 RPM Maximum Spin Speed
- Direct Drive Motor
- 9 Preset Wash Cycles
- 6 Options
- Ice Blue LED Display
- Door Lid: Chrome Deco Tinted Glass
- Soft-Close Lid

### Convenience

- Child Lock
- Delay End
- 5 Temperature Settings
- 4 Spin Settings
- 3 Soil Settings
- Dispenser Trays: Main Wash, Softener, Bleach (Manual)

### Rating



ENERGY STAR®-rated

IMEF = 2.06

IWF = 4.3

125 kWh/yr

# WA45M7050AW

# SAMSUNG

## Samsung Top-Load Washer

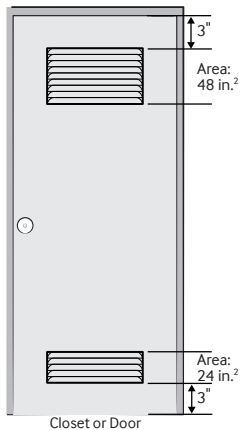
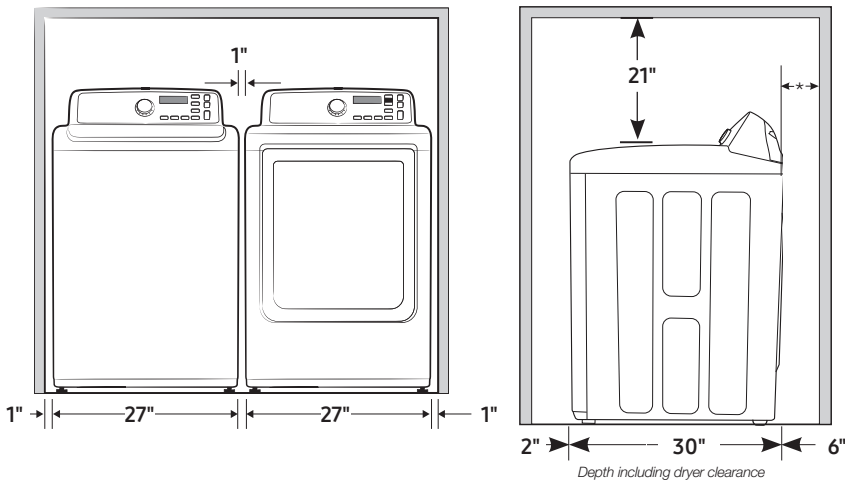
4.5 cu. ft. Capacity DOE

### Installation Specifications

#### Alcove or closet installation

Recessed Area

Side View Confined



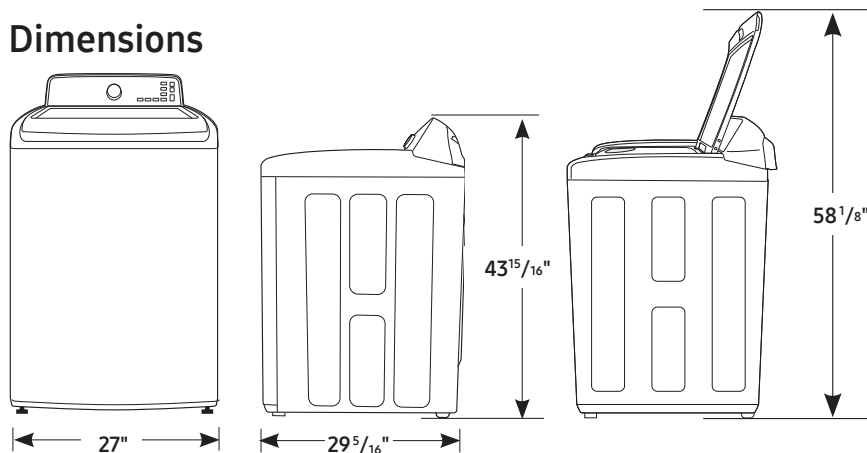
#### Minimum clearances for closets and alcoves:

- Sides – 1"
- Top – 21"
- Rear – 6"
- Closet Front – 2"

If the washer and dryer are installed together, the closet front must have at least a 72-inch<sup>2</sup> unobstructed air opening. Your washer alone does not require a specific air opening.

\*Required spacing (External exhaust elbow may require additional space.)

### Dimensions



#### 9 Preset Wash Cycles:

Normal, Bedding/WaterProof, Heavy Duty, Permanent Press, Delicates/Hand Wash, Quick Wash, Rinse and Spin, Spin Only, Deep Wash

#### 6 Options:

Self Clean, Delay End, Pre Soak, Extra Rinse, Sound On/Off, Child Lock

#### 5 Temperature Settings:

Hot, Warm, Eco Warm, Cold, Cool

#### 4 Spin Settings:

High, Medium, Low, No Spin

#### 3 Soil Settings:

Heavy, Normal, Light

#### 2 Signal Level Settings:

On/Off

#### Dispenser Trays:

Main Wash, Softener, Bleach (Manual)

#### Warranty

One (1) Year Parts and Labor  
Three (3) Years Stainless Steel Drum (Part Only)  
Ten (10) Years Direct Drive Motor (Part Only)

#### Product Dimensions & Weight (WxHxD)

Dimensions: 27" x 43<sup>15</sup>/<sub>16</sub>" x 29<sup>5</sup>/<sub>16</sub>"

Weight: 125.7 lbs

#### Shipping Dimensions & Weight (WxHxD)

Dimensions: 29<sup>1</sup>/<sub>2</sub>" x 46<sup>1</sup>/<sub>2</sub>" x 31<sup>1</sup>/<sub>16</sub>"

Weight: 136.7 lbs

Color	Model #	UPC Code
White	WA45M7050AW	887276196398

#### Matching Dryer (Electric/Gas)

White	DVE45H7000W	887276963877
White	DVG45H7000W	887276963891