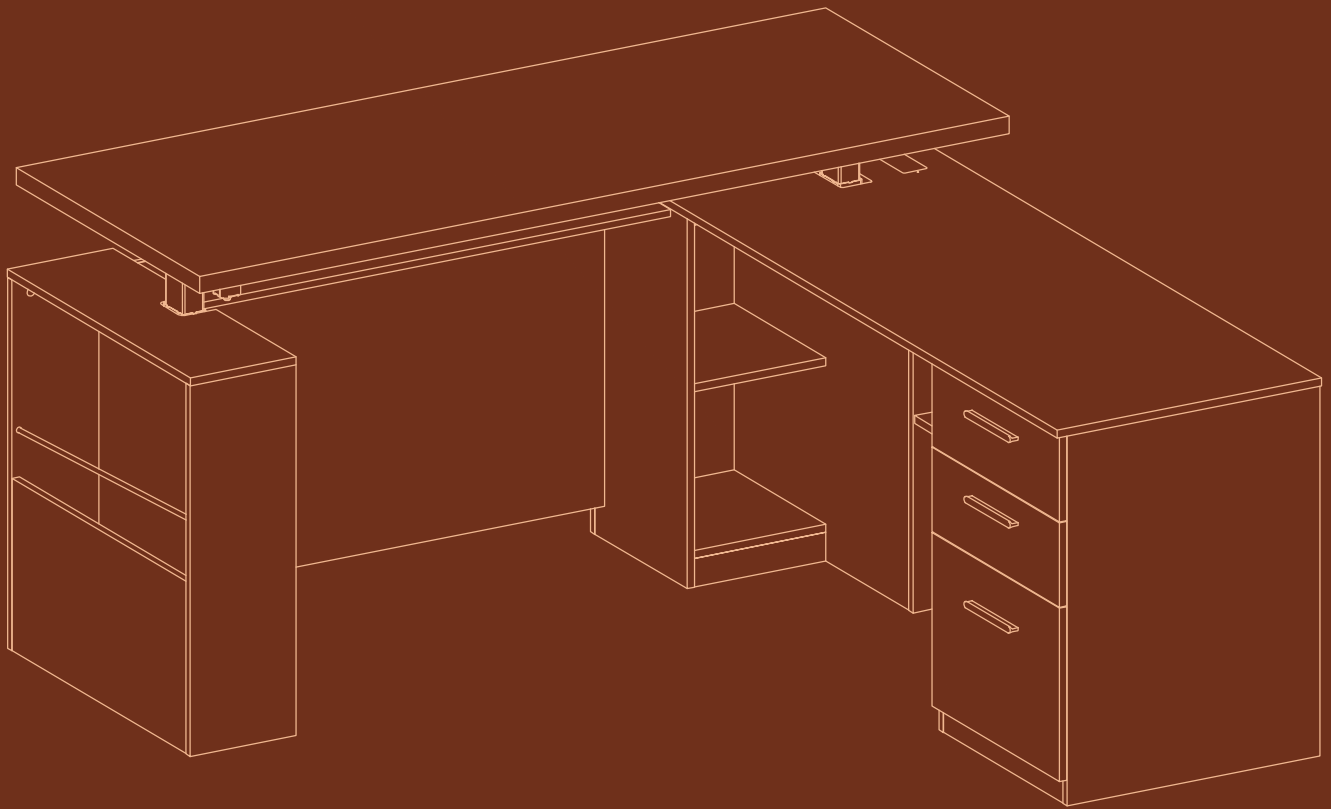




ModernMate

# ASSEMBLY INSTRUCTION



Boss desk

## **INTRODUCTION**

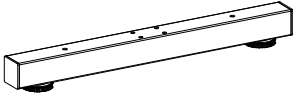
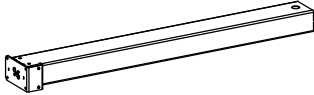

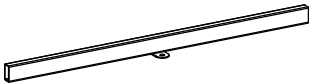
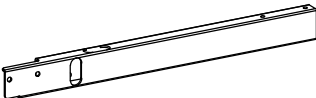
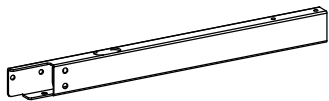
Thank you for purchasing our products. Please read the instructions carefully before installation and keep it in a safe place for future reference. If you need any assistance or support, please feel free to contact our customer support team.

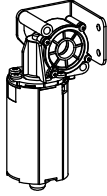


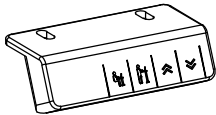

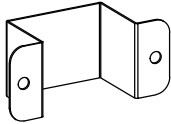
## **PRECAUTIONS**

1. There are many components and accessories in the package. Each component and accessory is labeled with a letter or a number, check carefully before using any of them. Keep them away from children to prevent accidents.
2. Please install the product on a clean and soft underlay (such as carpet or cardboard) to avoid scratching or damaging the surface of the product.
3. The main components of the product is relatively heavy. Please pay attention to safety during installation.
4. The product is not stable during installation. Please do not move it randomly before it is completely installed.
5. If you have any questions during installation, please contact the customer service in time.

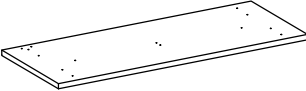


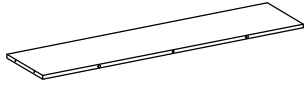

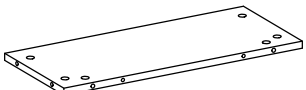
- \* **Please be sure to follow the installation steps in the manual to avoid unnecessary losses caused by improper installation.**
- \* **If you need further assistance, please contact the customer service online.**


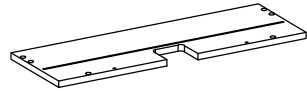
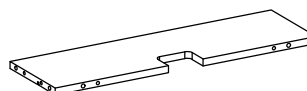
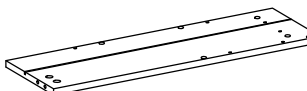
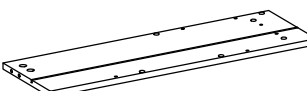

**Parts List**

ID	Parts	QTY
1		2
2		2
3		2
4		1
5		1
6		1

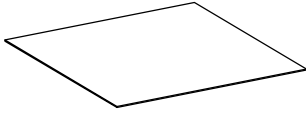
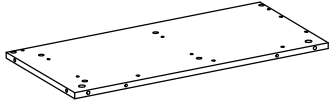
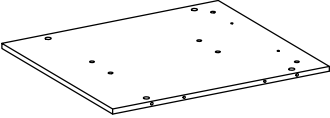
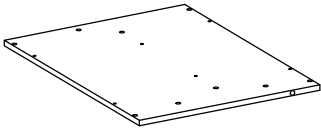
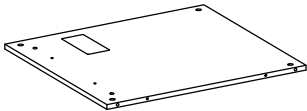
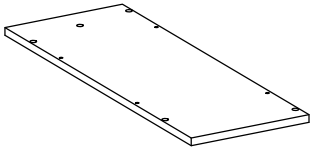
ID	Parts	QTY
7		1
8		1
9		1
10		1
11		1
12		4

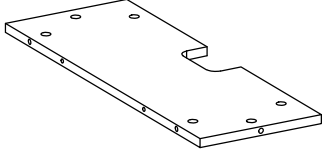
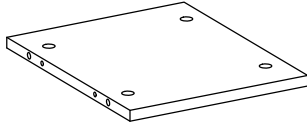
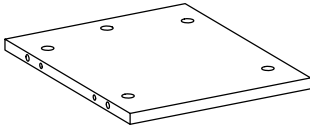
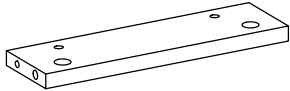

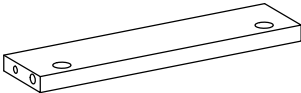
**Parts List**

ID	Parts	QTY
13		1
14		1
15		1
16		1
17		1
18		1

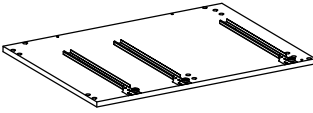
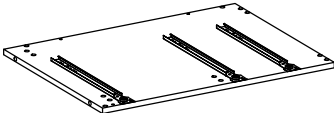
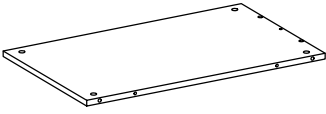
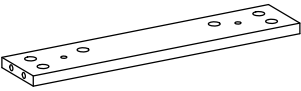
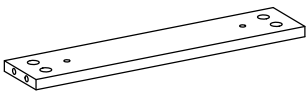
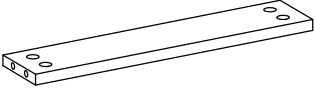
ID	Parts	QTY
19		1
20		1
21		1
22		1
23		1
24		1

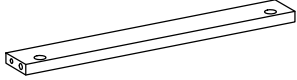
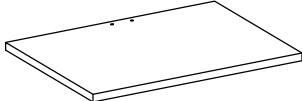
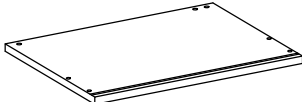
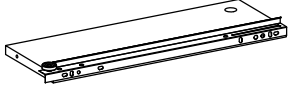
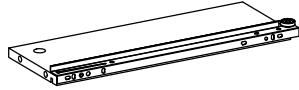
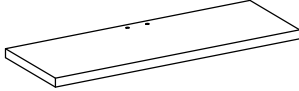
**Parts List**

ID	Parts	QTY
25		1
26		1
27		1
28		1
29		1
30		1



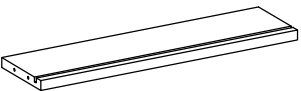
ID	Parts	QTY
31		1
32		1
33		1
34		1
35		1
36		1

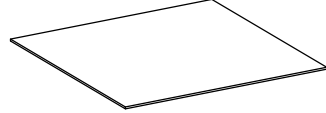

**Parts List**

ID	Parts	QTY
37		1
38		1
39		1
40		1
41		1
42		3

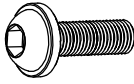
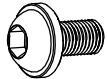
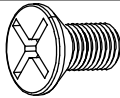
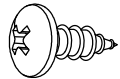
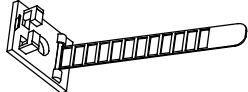
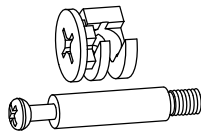


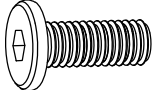
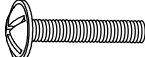
ID	Parts	QTY
43		1
44		1
45		1
46		1
47		1
48		2


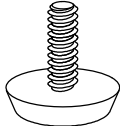
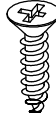

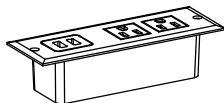
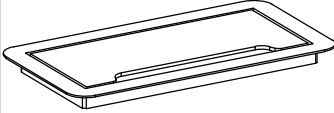
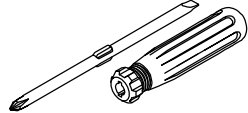
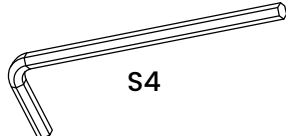
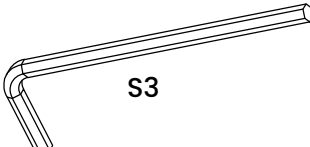
**Parts List**

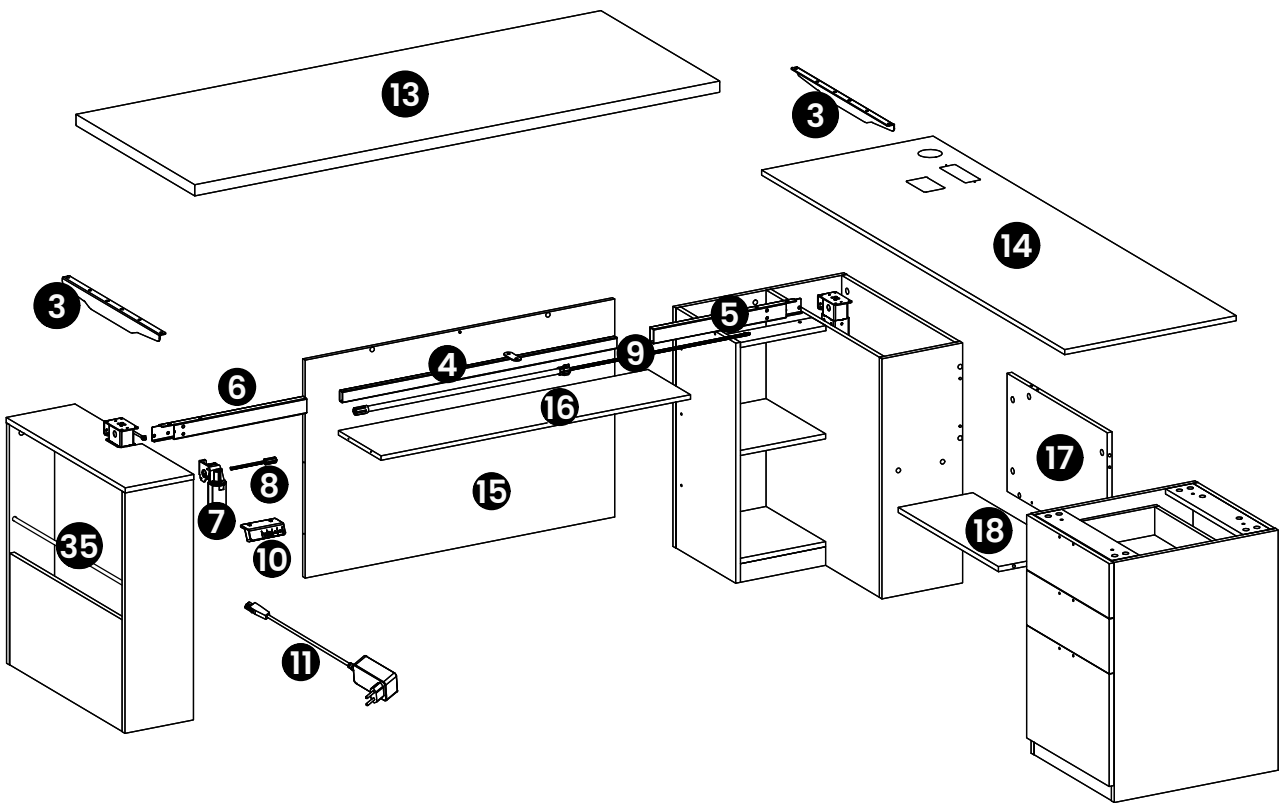
ID	Parts	QTY
<b>49</b>		2
<b>50</b>		2
<b>51</b>		2

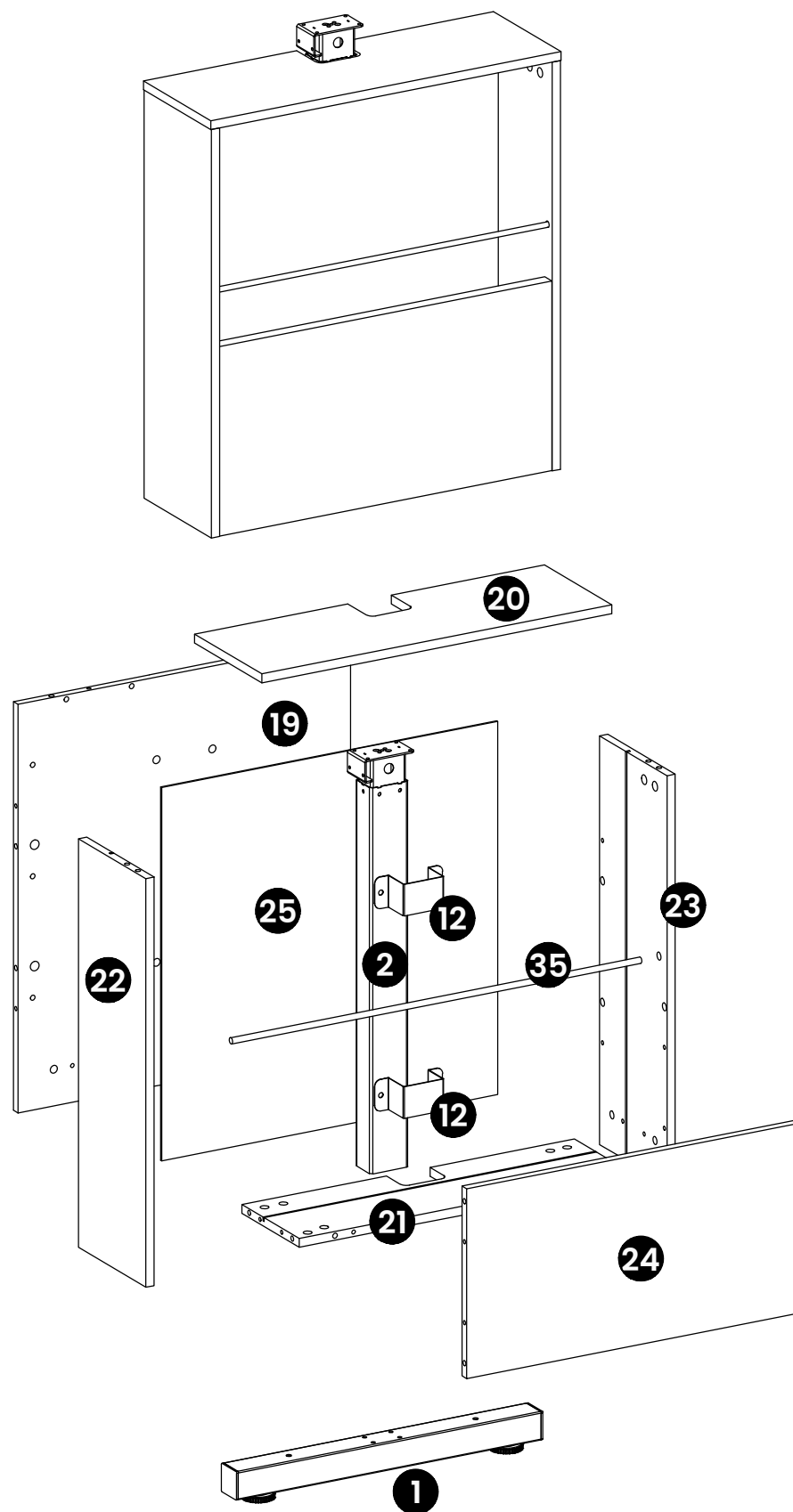
ID	Parts	QTY
<b>52</b>		3
<b>53</b>	 File Folder Hanging Rod	2

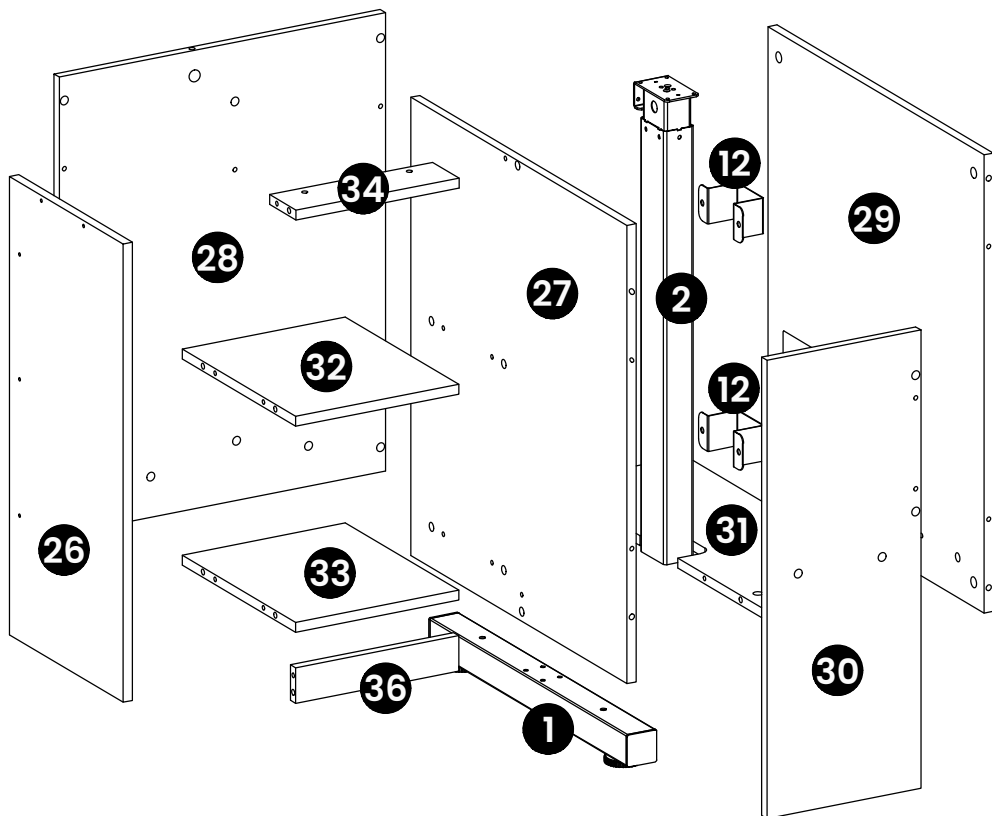
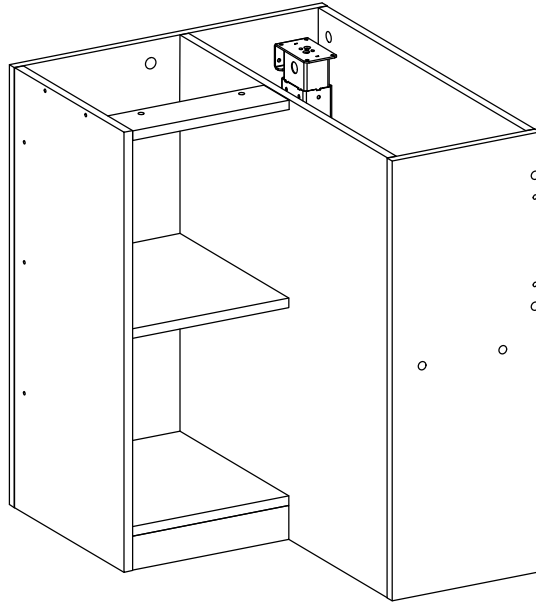
# Hardware List

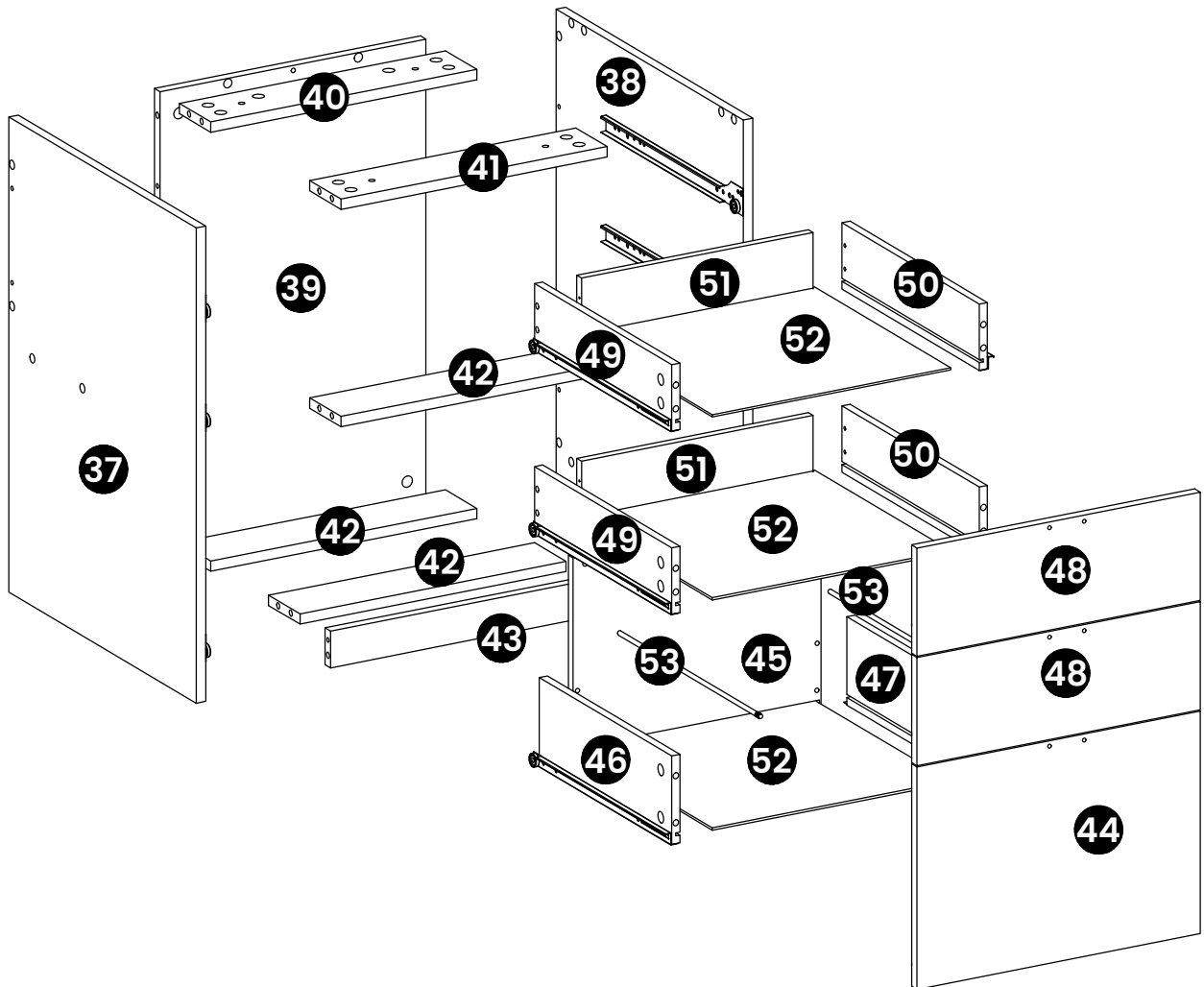
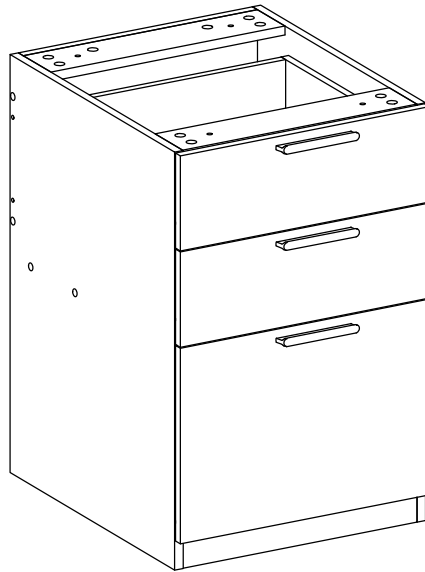
ID	Parts	QTY
<b>A</b>	 M6×55	12+1
<b>B</b>	 M6×10	18+1
<b>C</b>	 M6×8	6+1
<b>D</b>	 ST4.8×12	14+2
<b>E</b>		3+2
<b>F</b>		105+5
<b>G</b>		59+2
<b>H</b>	 ST5×46	22+1
<b>I</b>	 M6×25L	6+1
<b>J</b>	 M4×16	6

ID	Parts	QTY
<b>K</b>		3
<b>L</b>		10
<b>M</b>		2
<b>N</b>		1
<b>O</b>		1
<b>P</b>		1
<b>Z1</b>		1
<b>Z2</b>	 S4	1
<b>Z3</b>	 S3	1

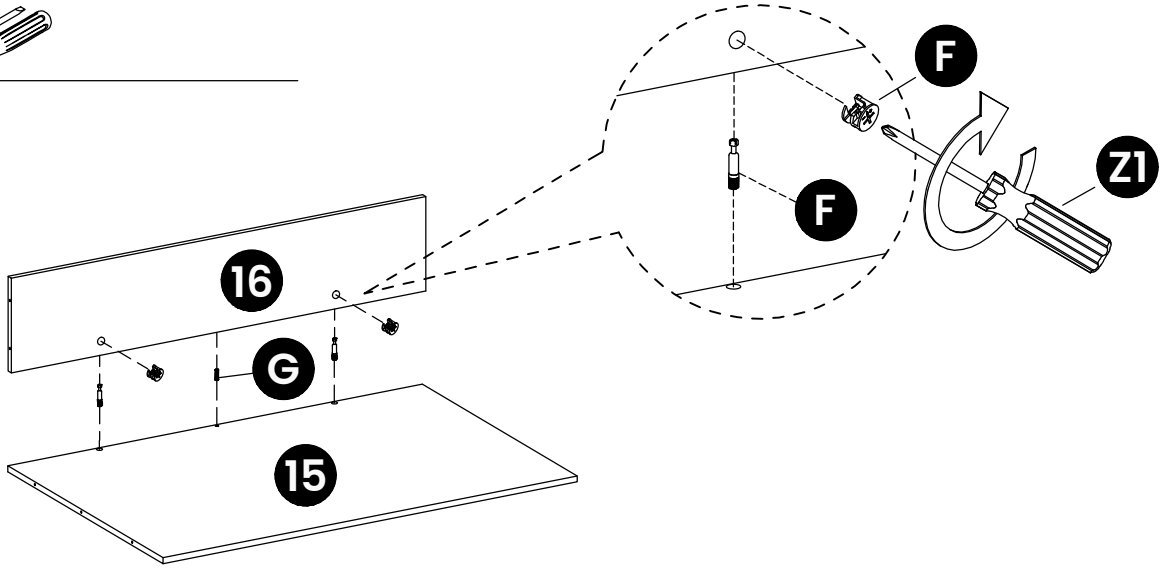
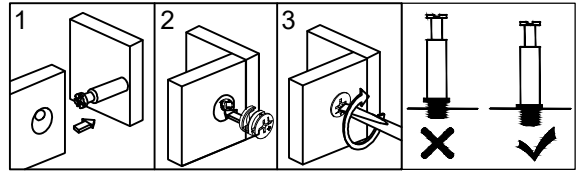
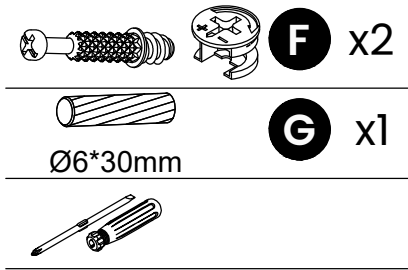




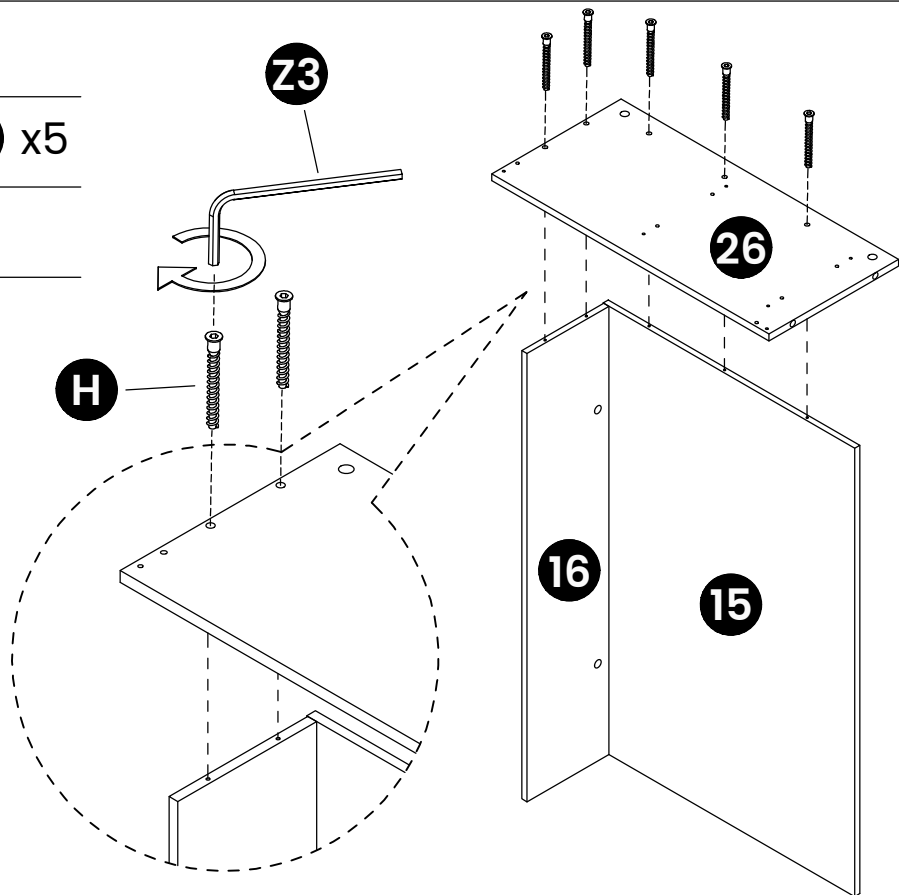
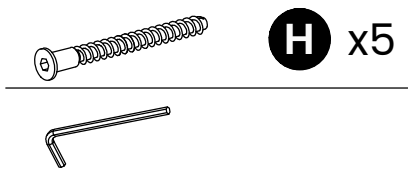


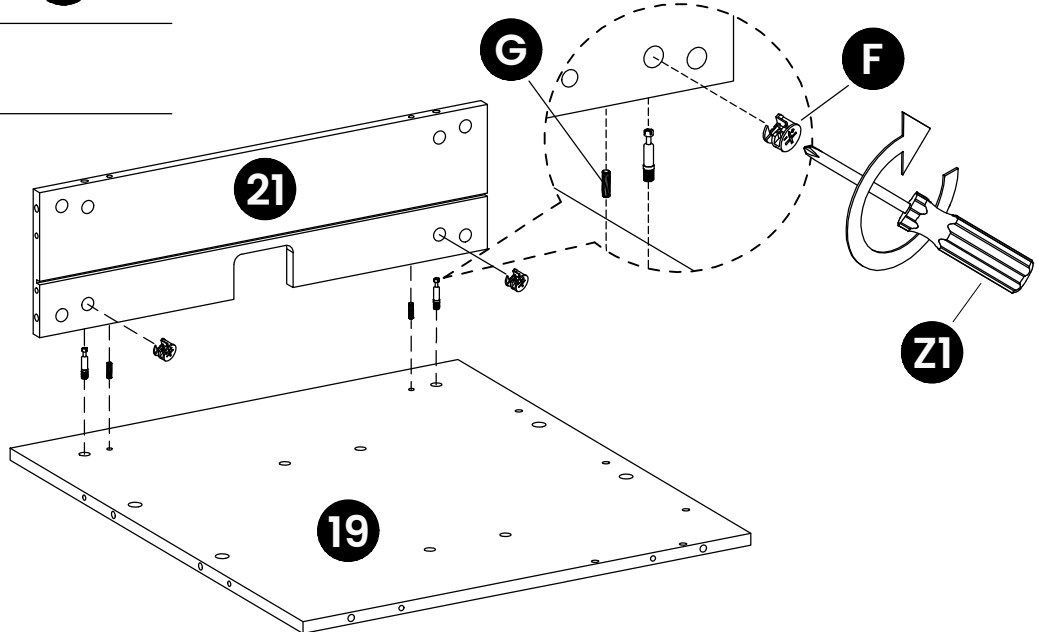
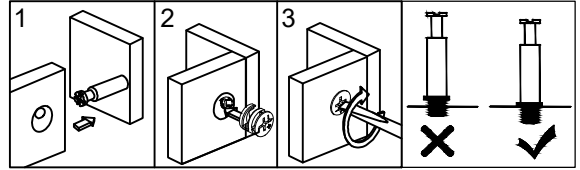
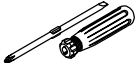
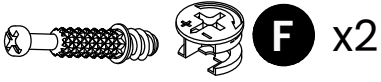
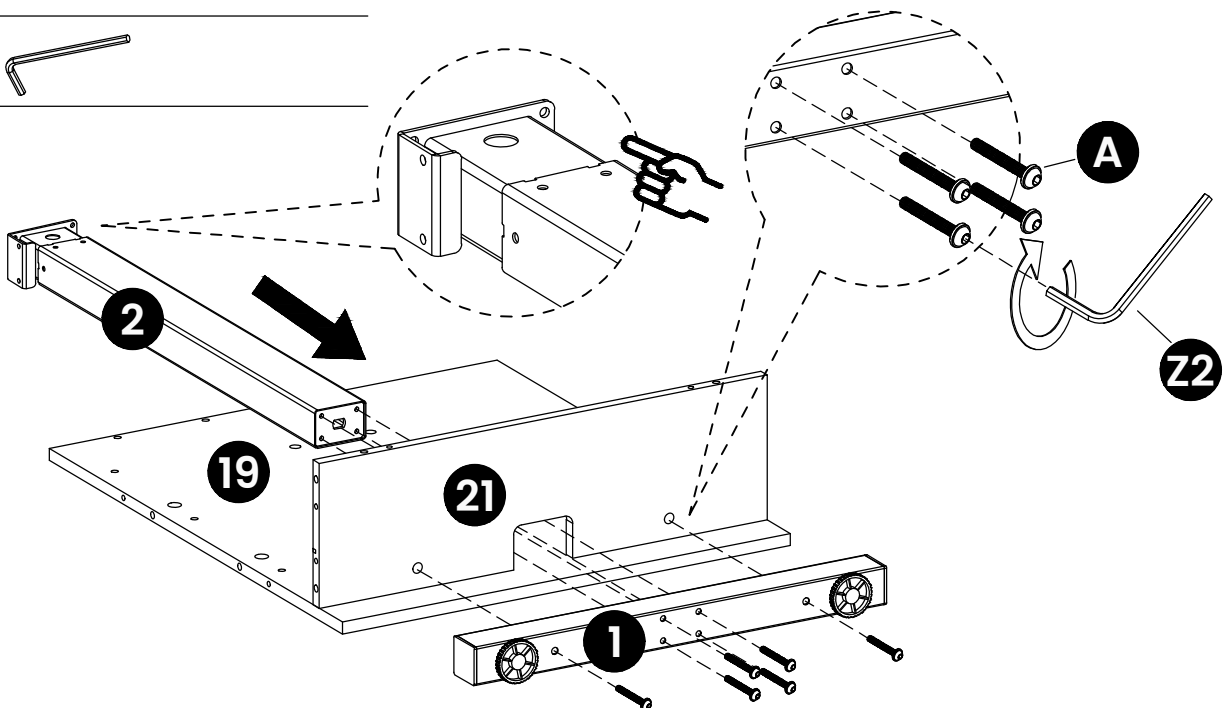


## STEP 1

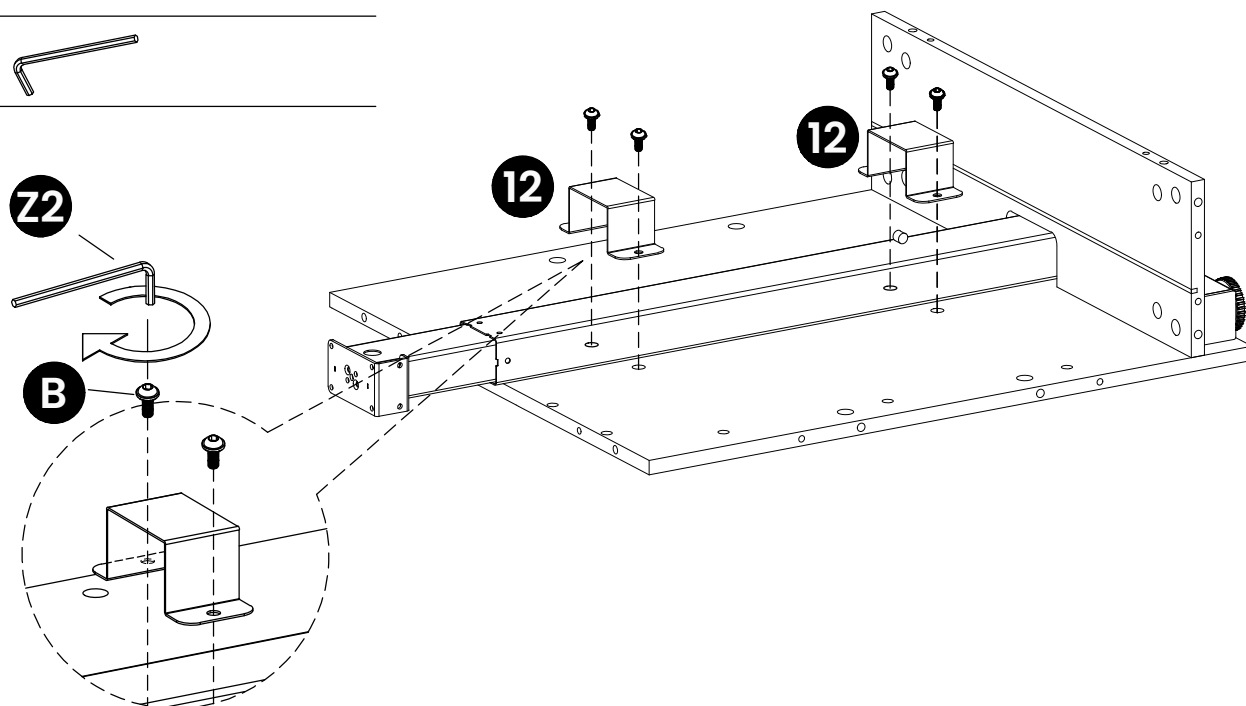


## STEP 2

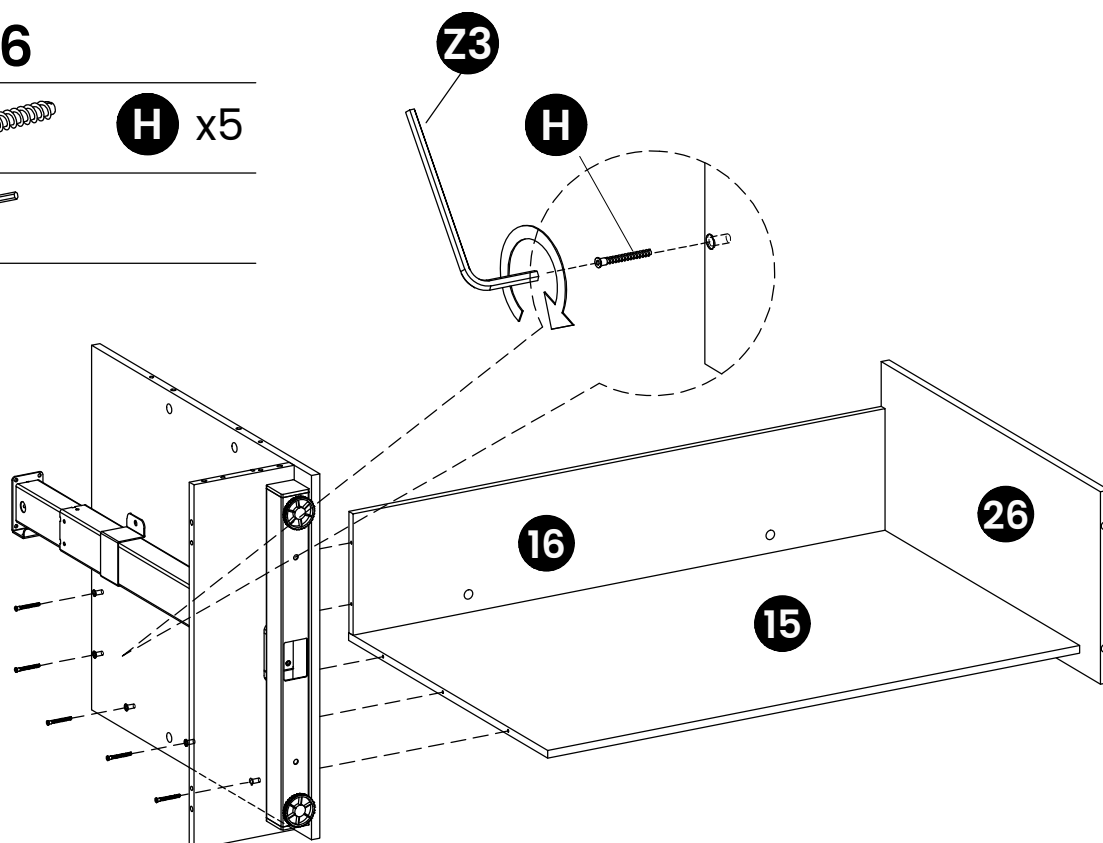


**STEP 3****STEP 4**

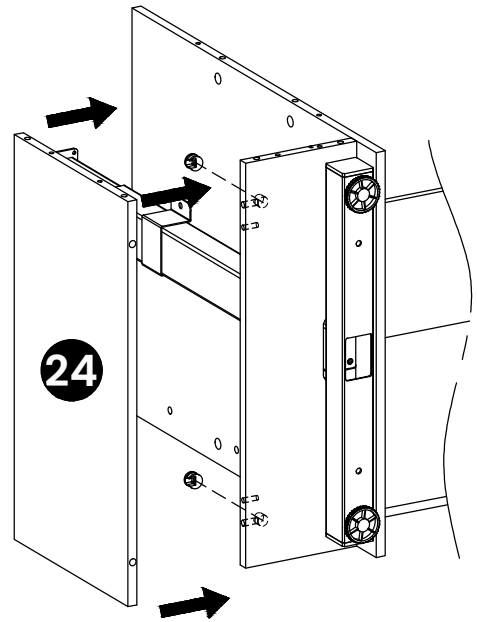
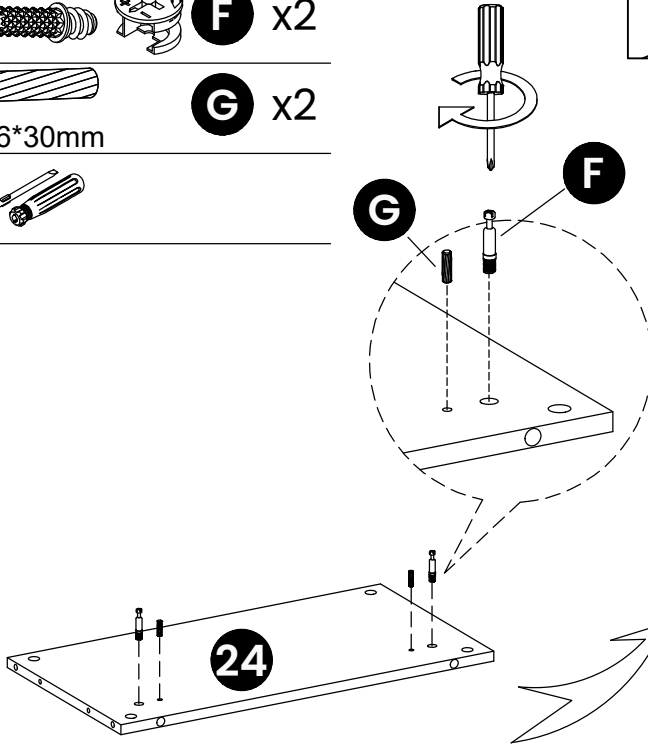
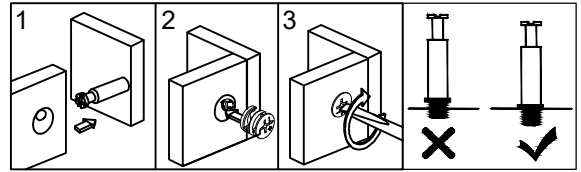
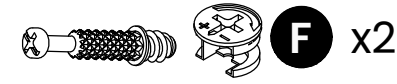
**STEP 5**



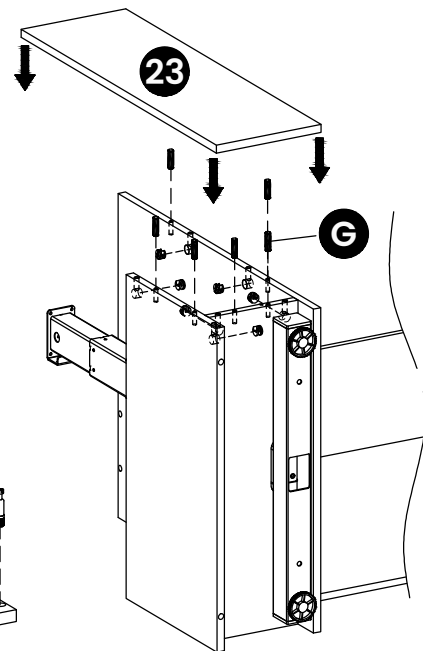
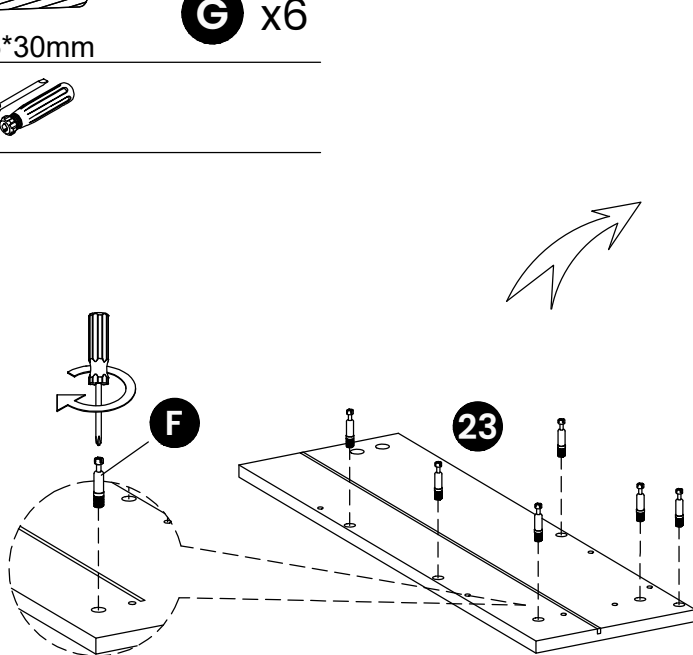
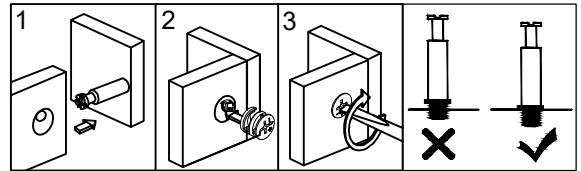
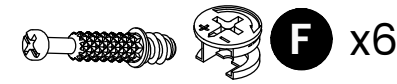
**STEP 6**



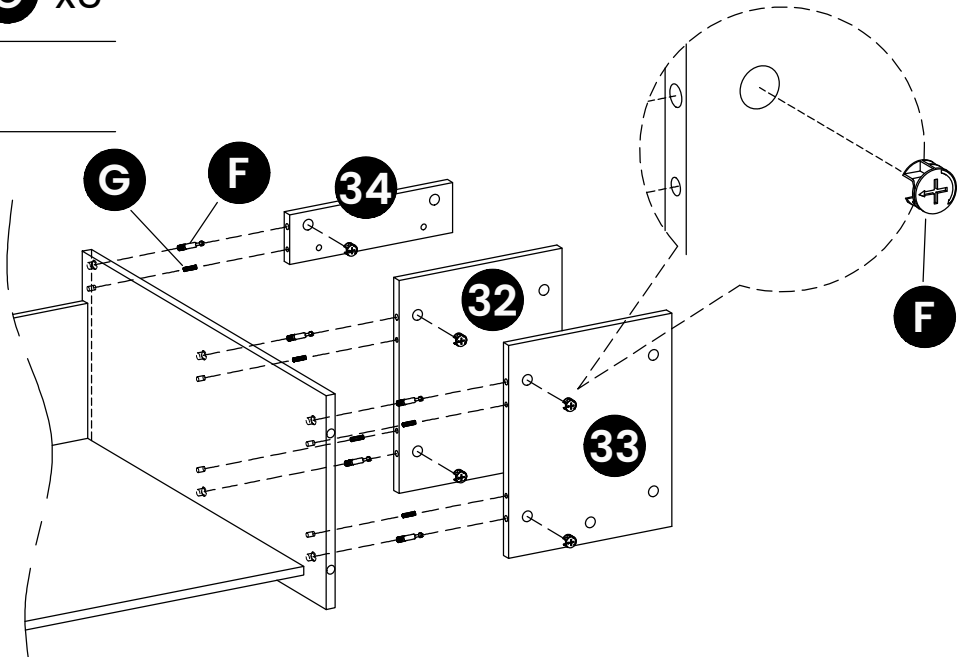
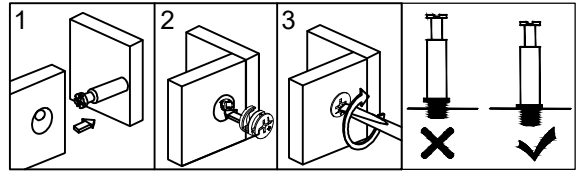
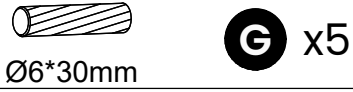
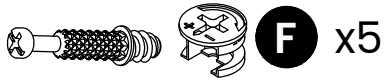
## STEP 7



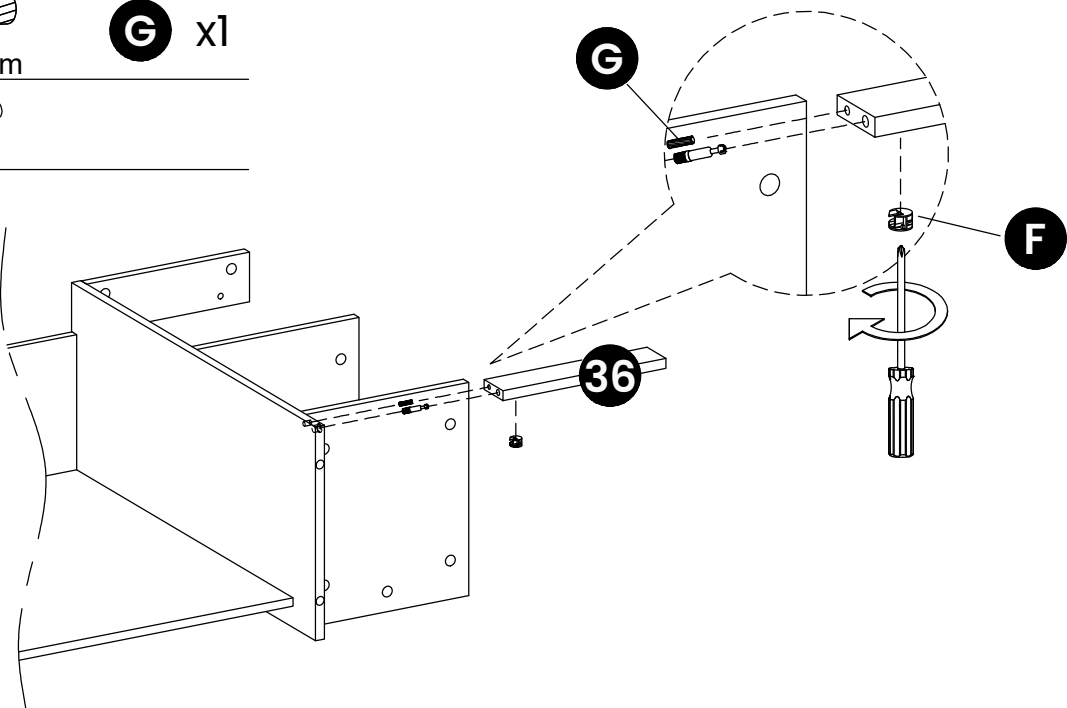
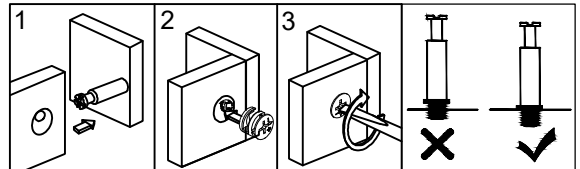
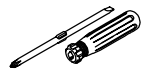
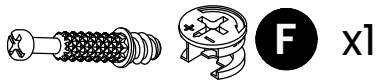
## STEP 8



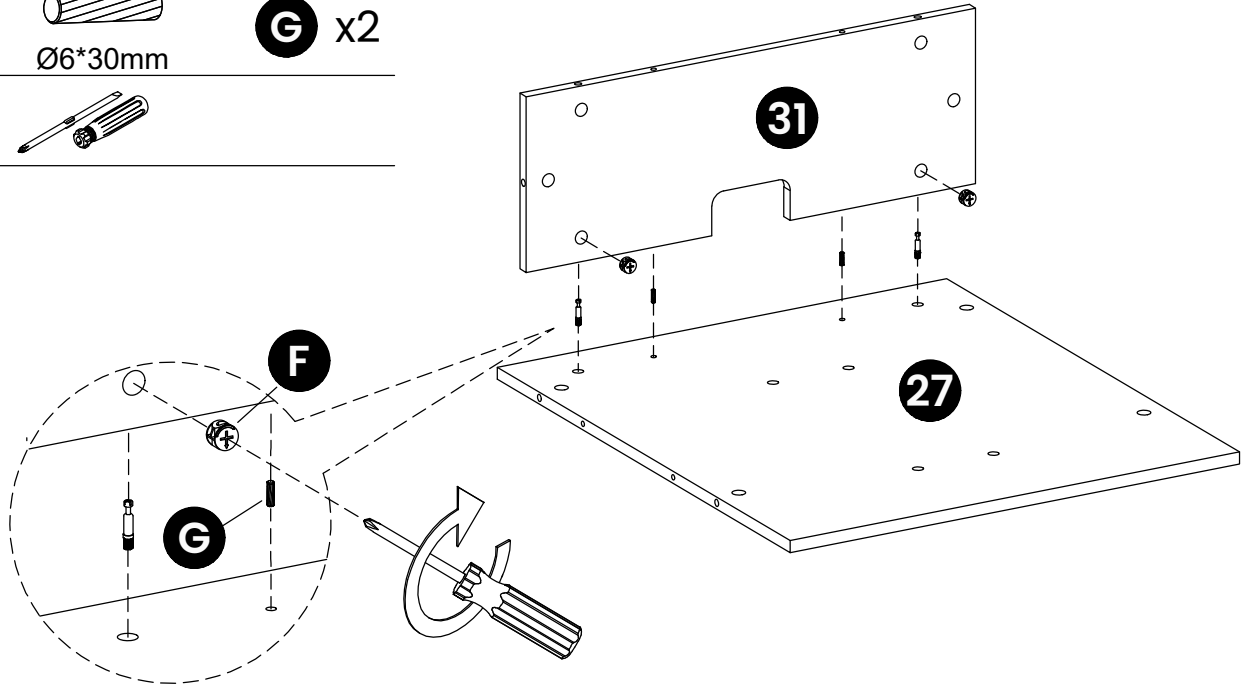
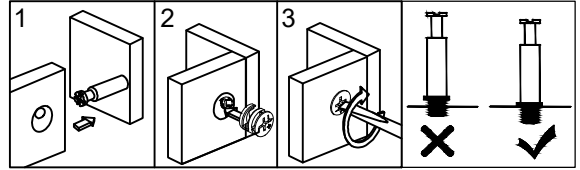
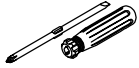
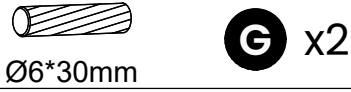
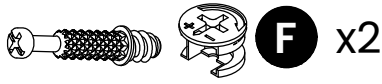
## STEP 9



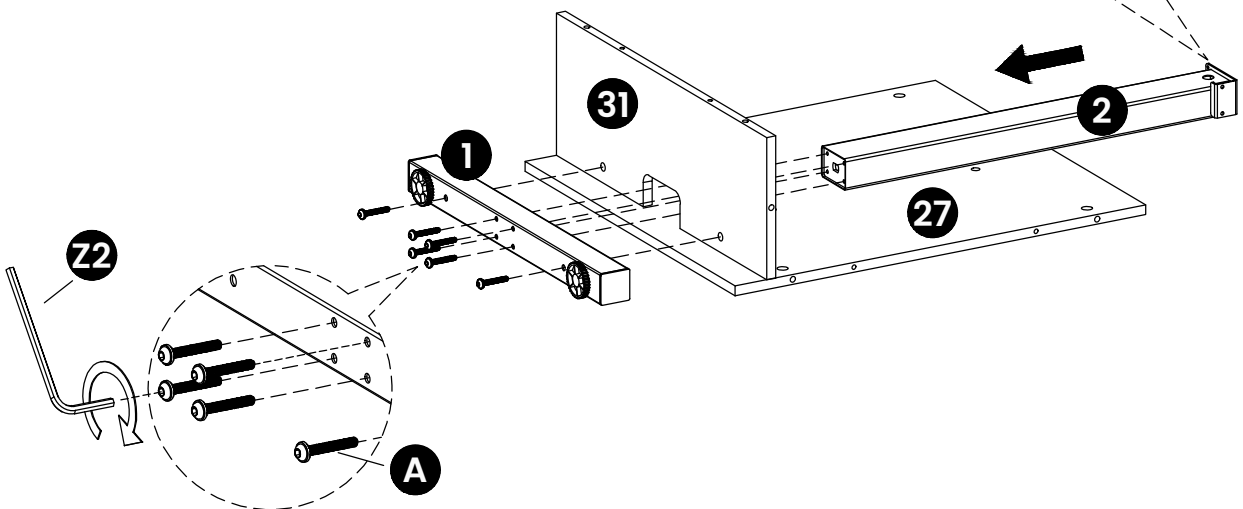
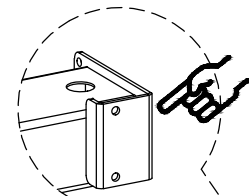
## STEP 10

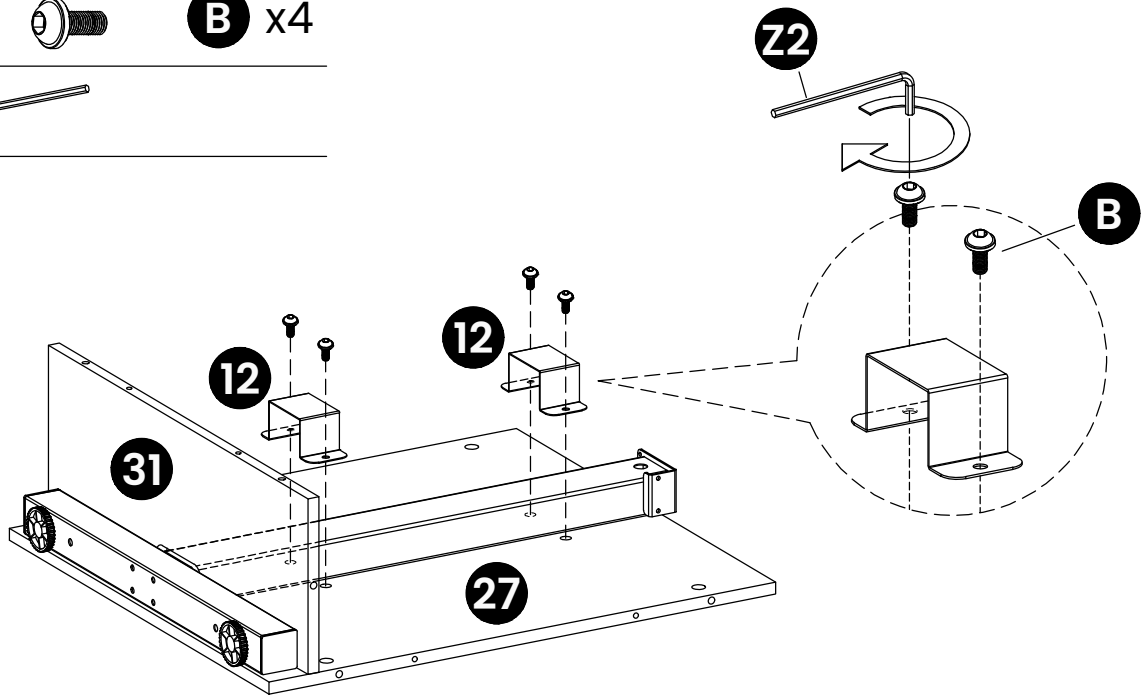
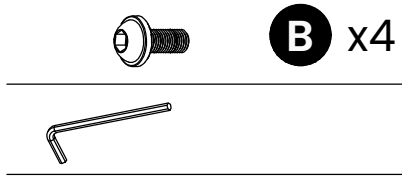
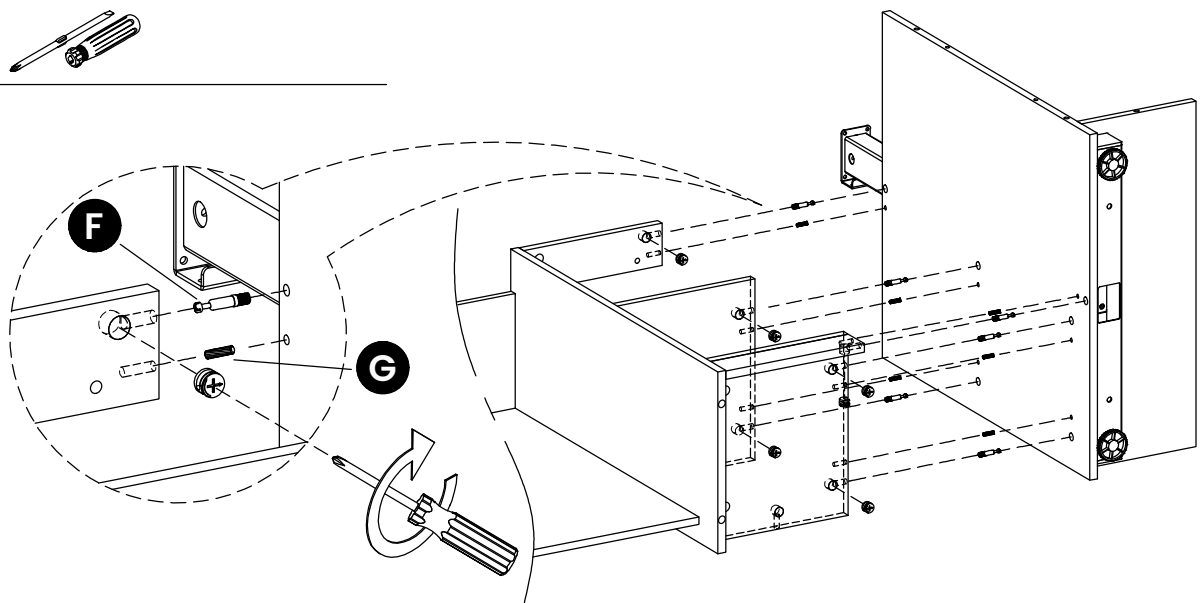
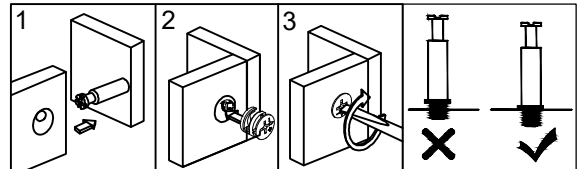
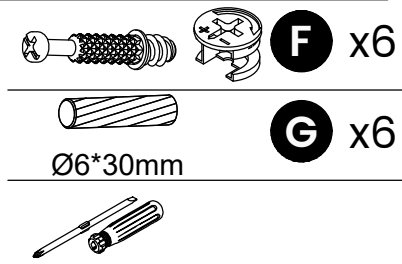


## STEP 11

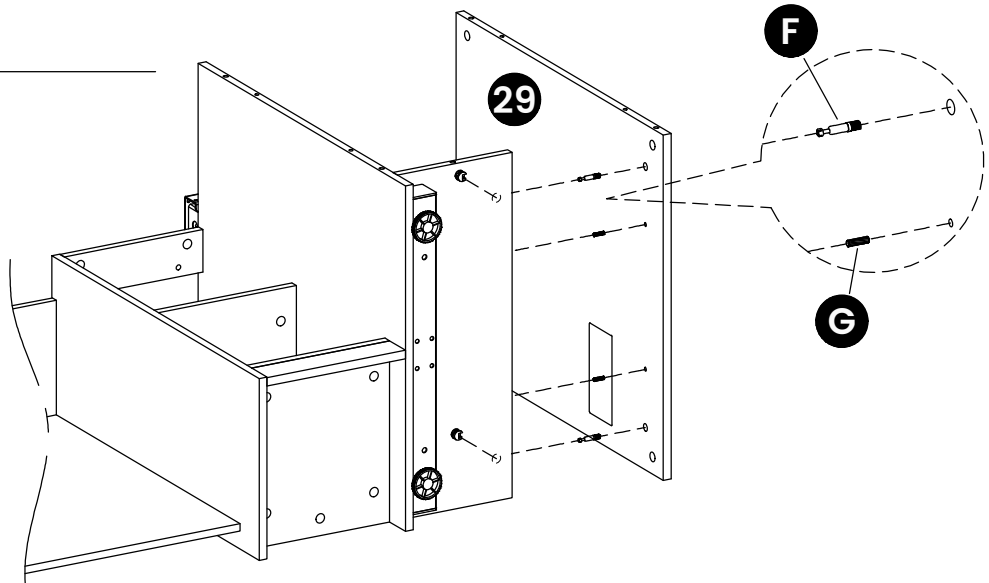
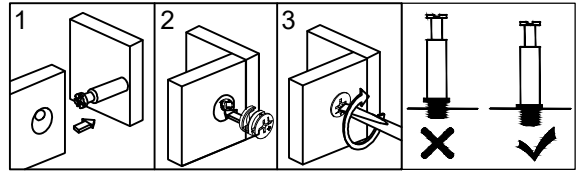
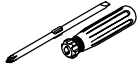
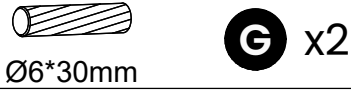
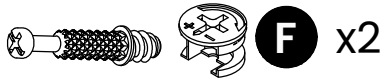


## STEP 12

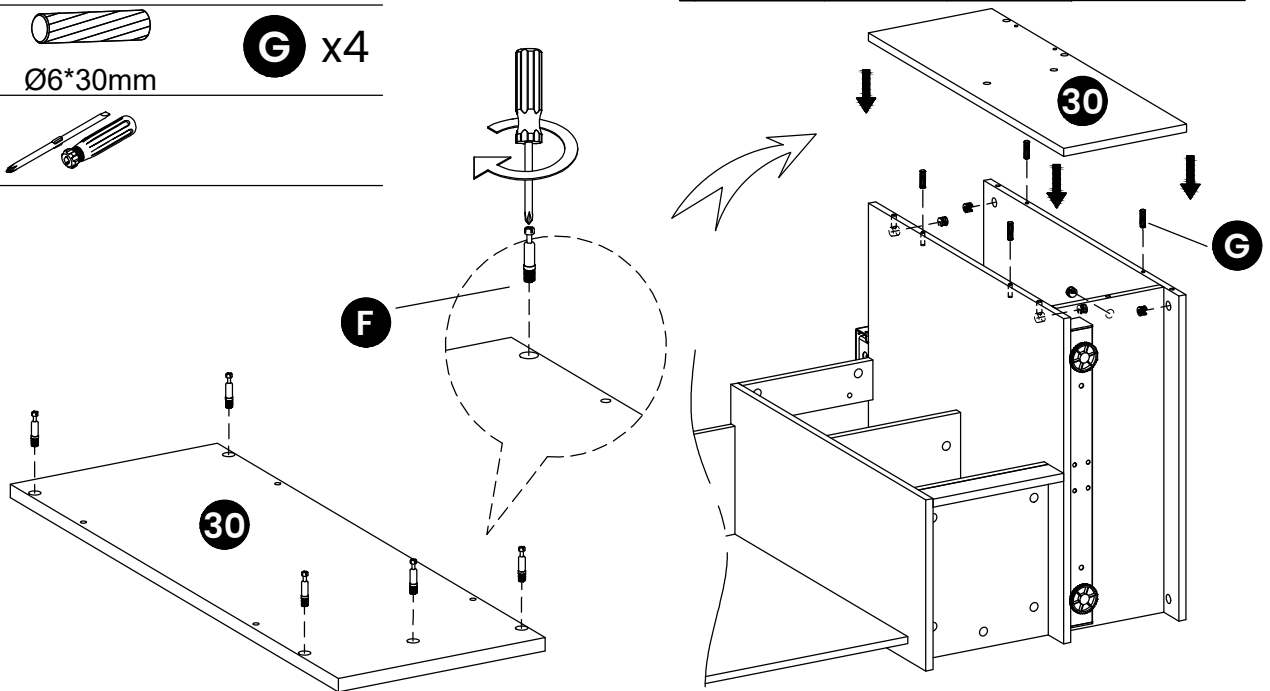
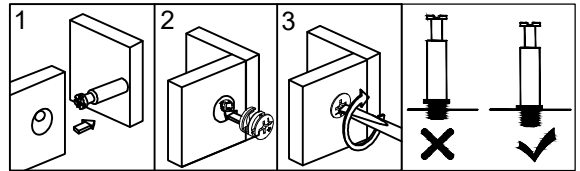
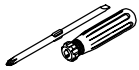
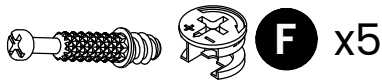


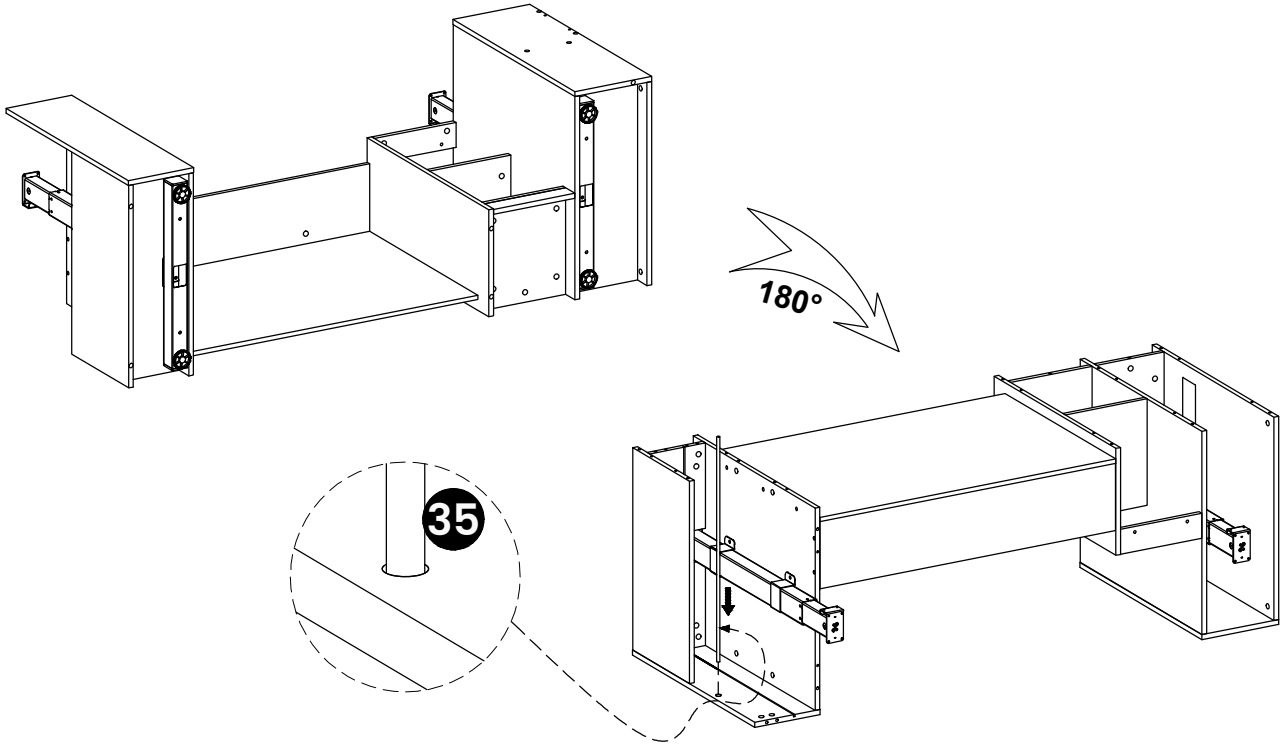
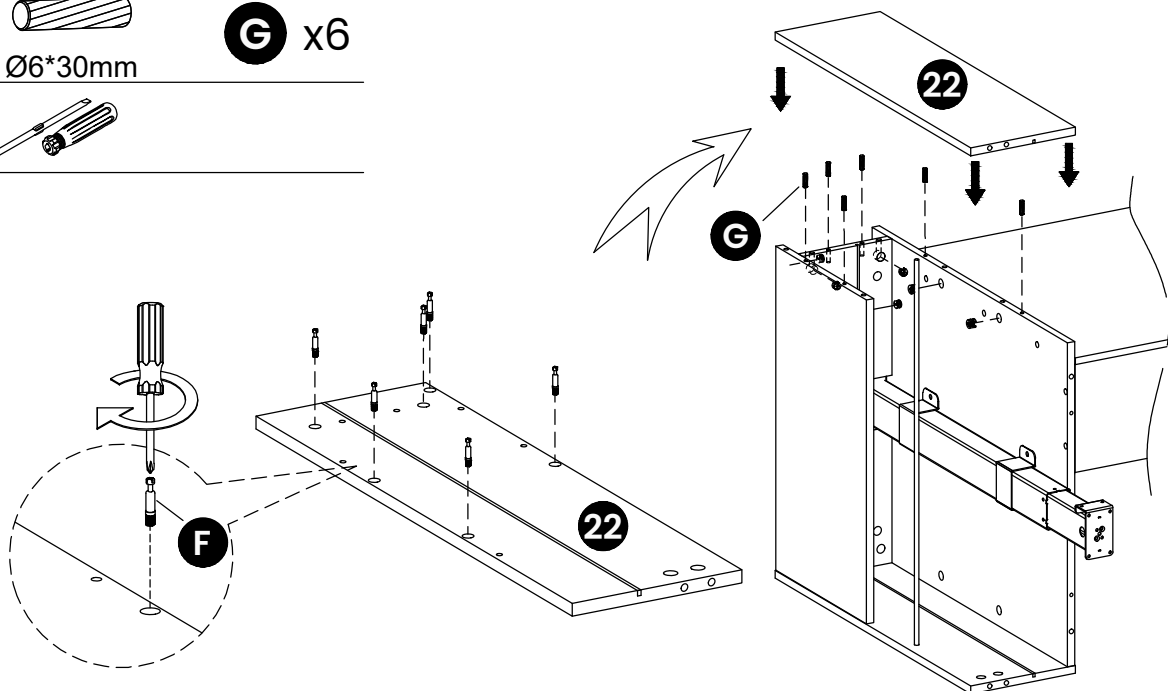
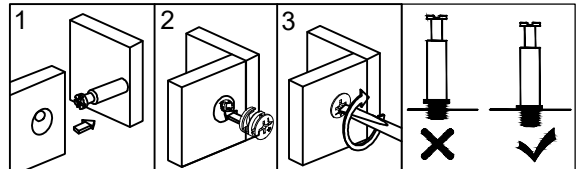
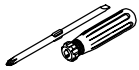
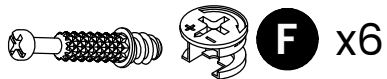
**STEP 13****STEP 14**

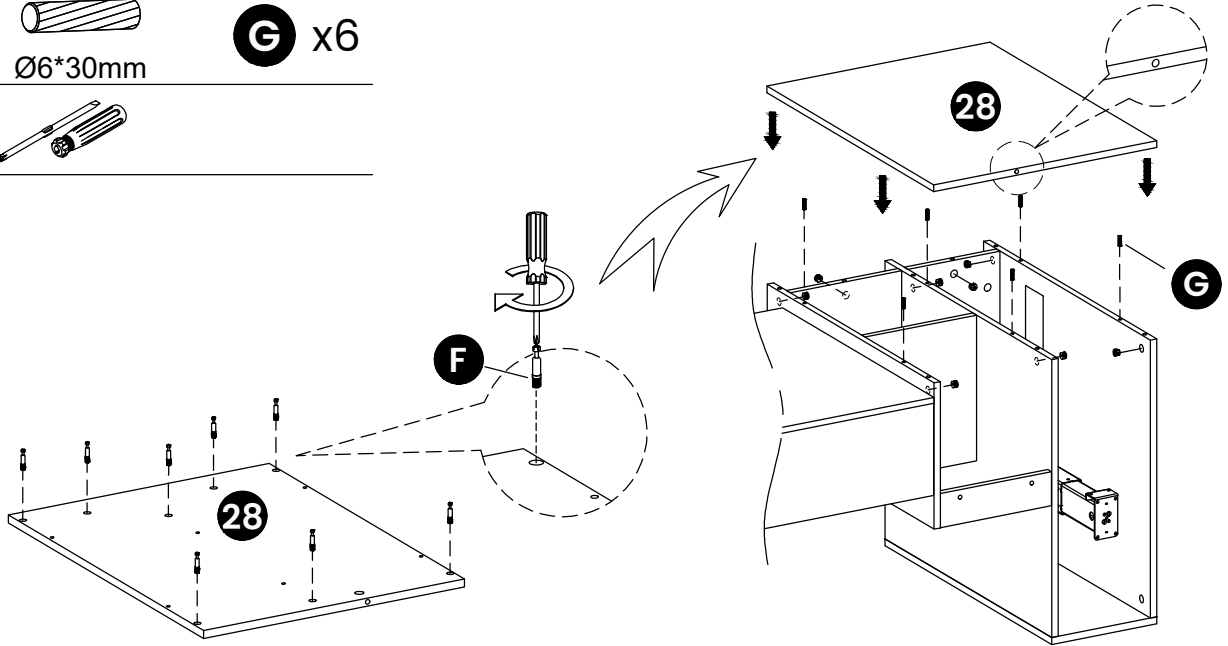
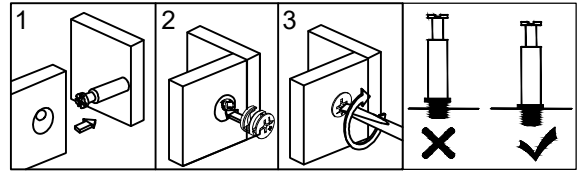
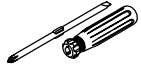
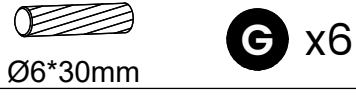
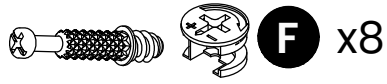
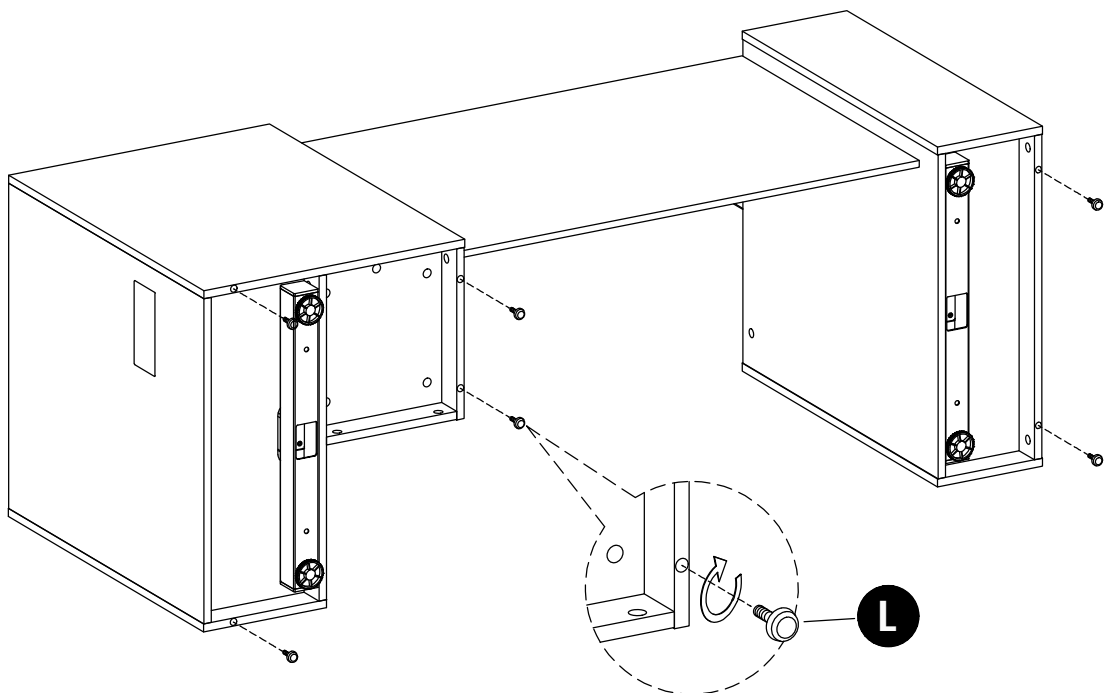
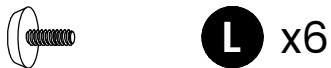
**STEP 15**



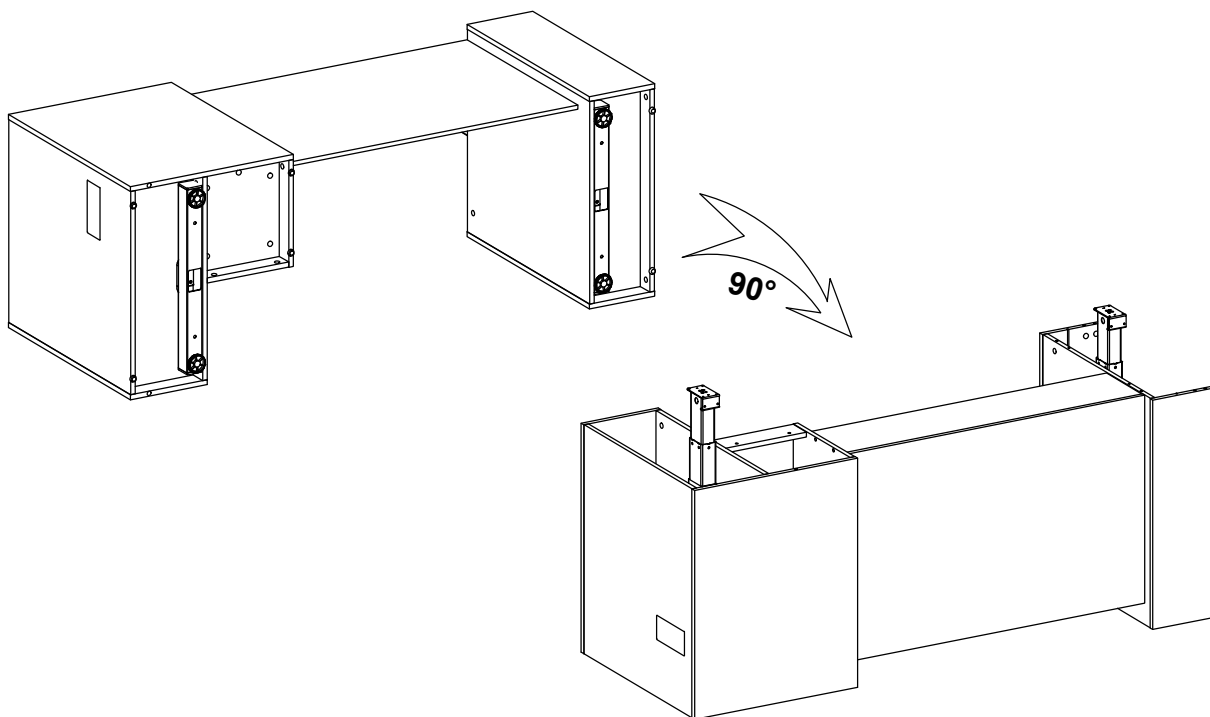
**STEP 16**



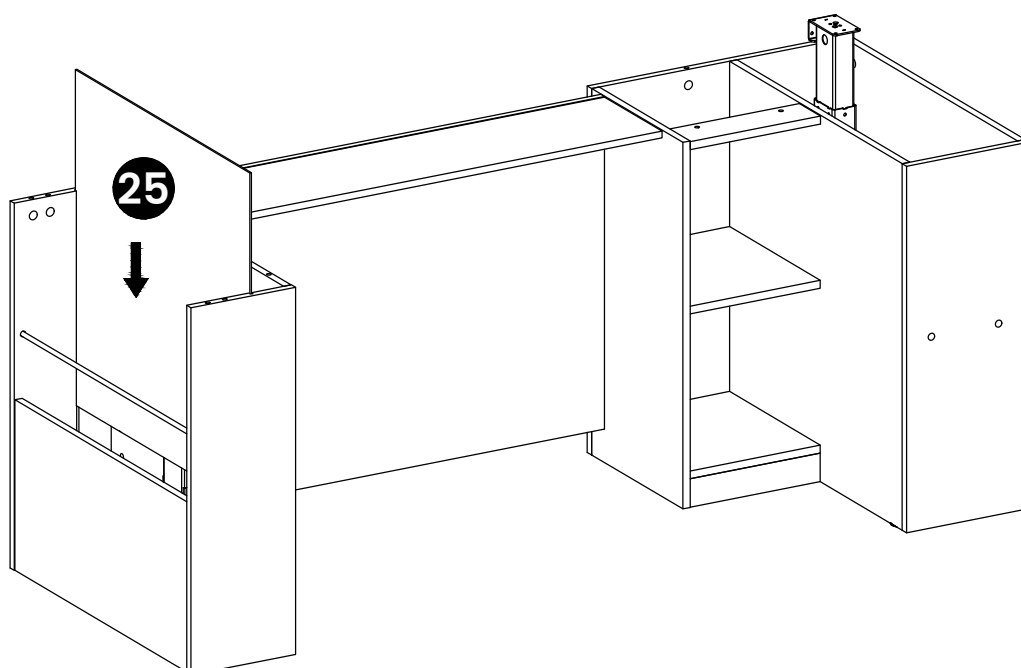
**STEP 17****STEP 18**

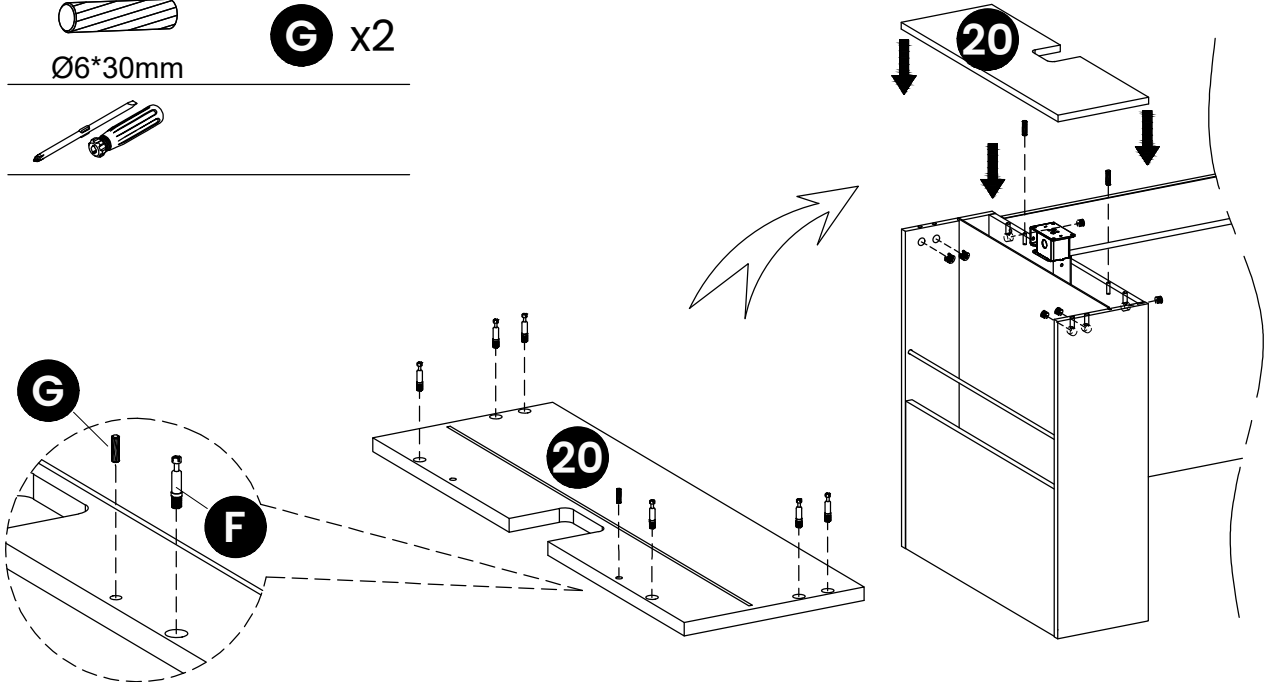
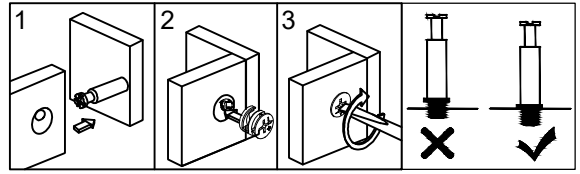
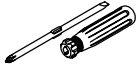
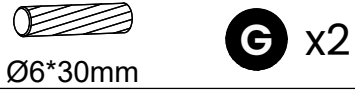
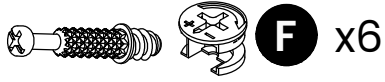
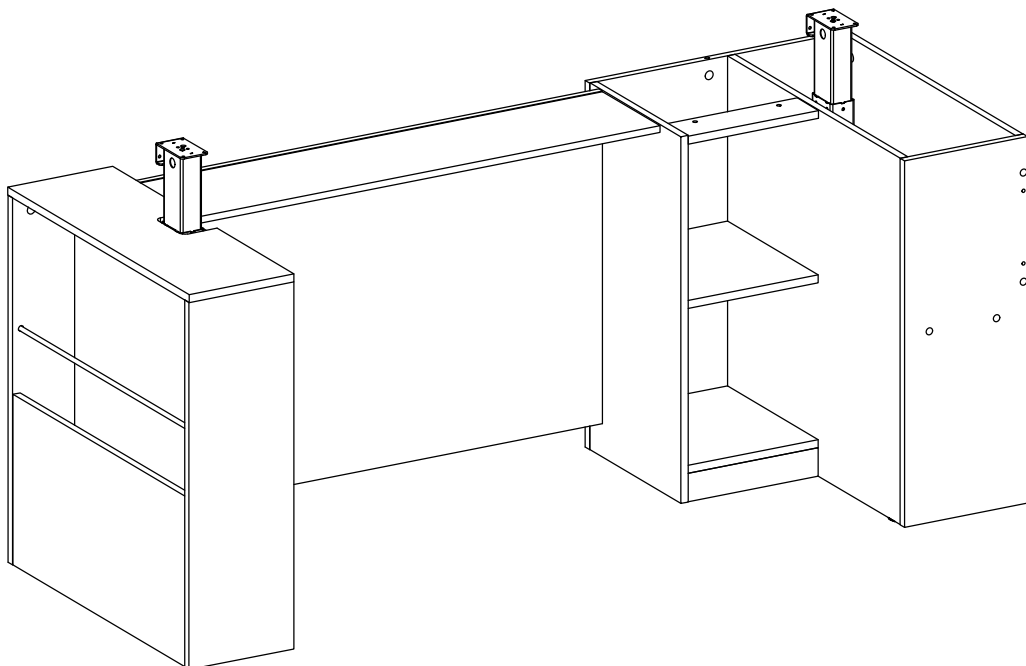
**STEP 19****STEP 20**

---

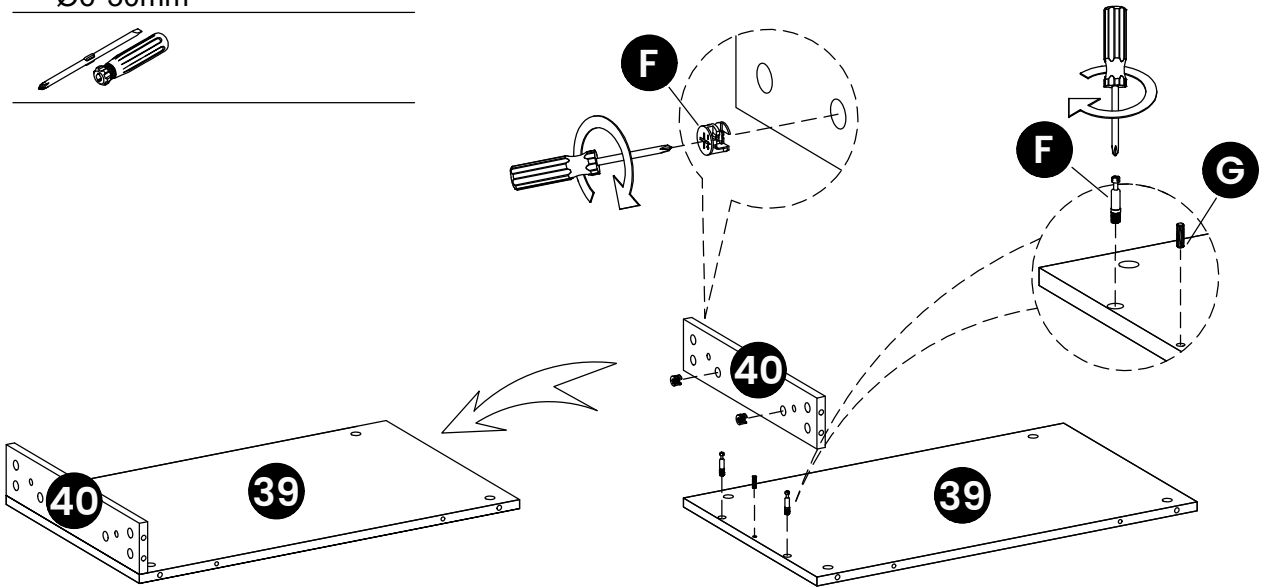
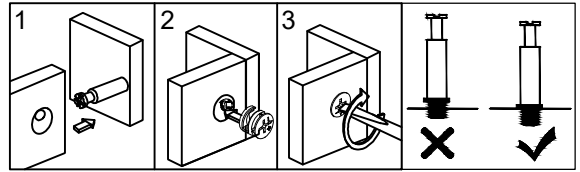
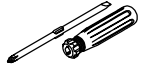
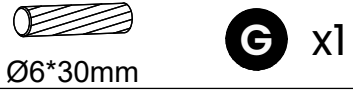
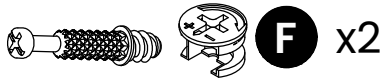
**STEP 21**

---

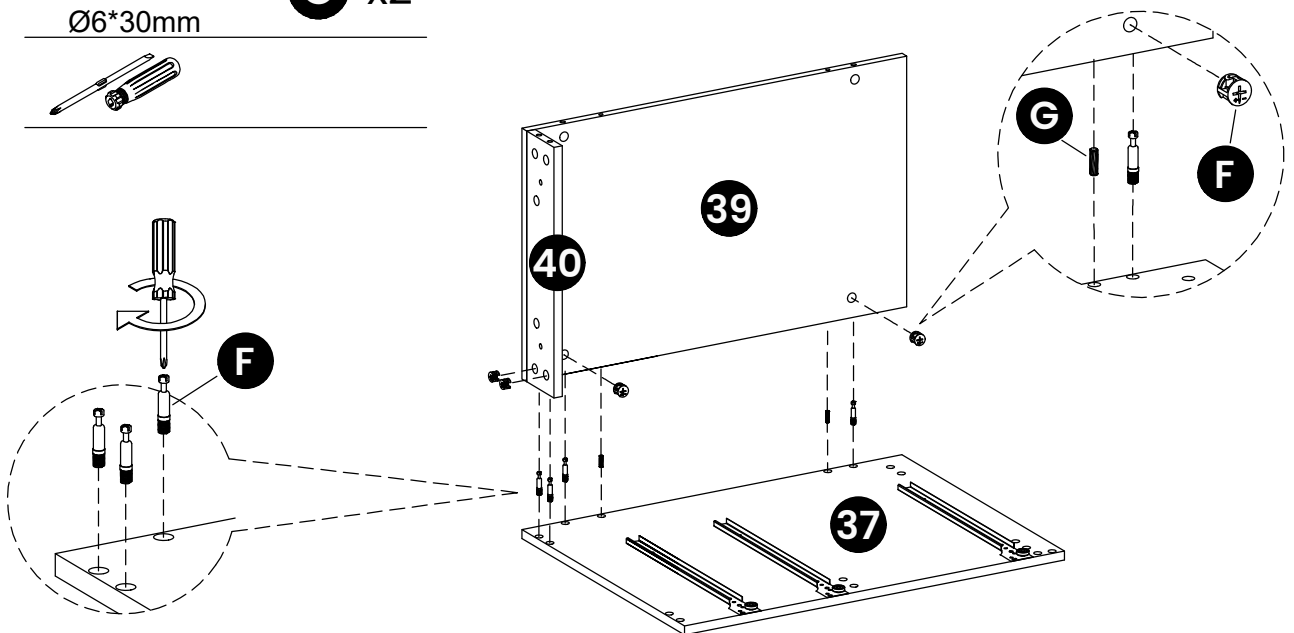
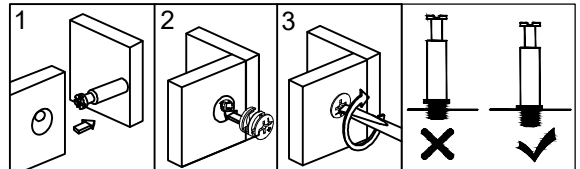
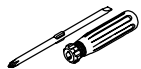
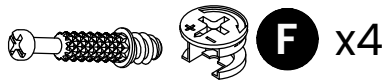
**STEP 22**

**STEP 23****STEP 24**

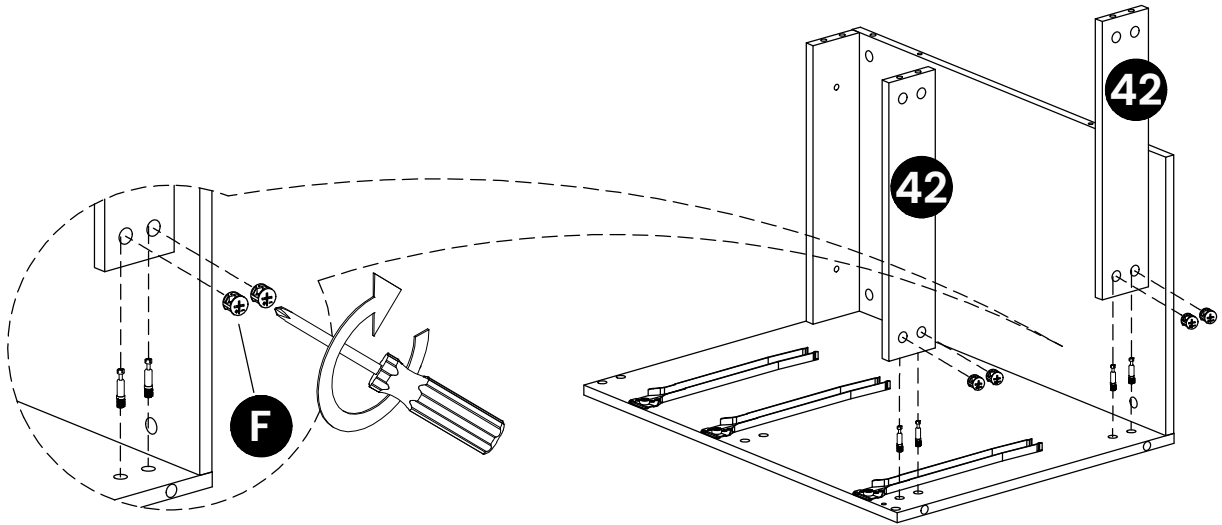
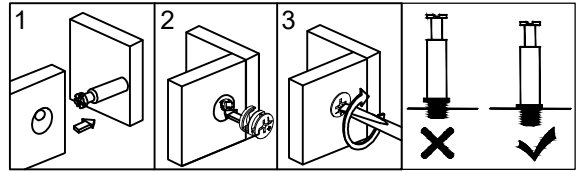
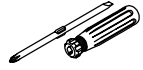
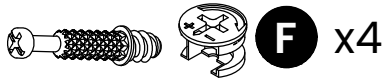
**STEP 25**



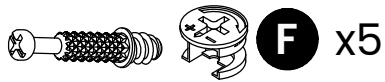
**STEP 26**



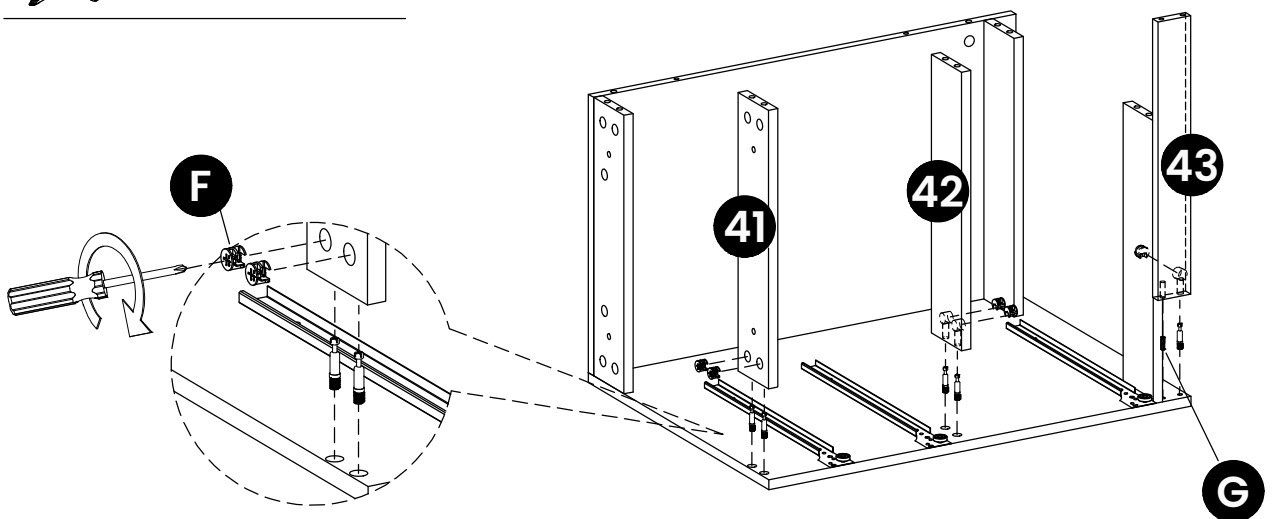
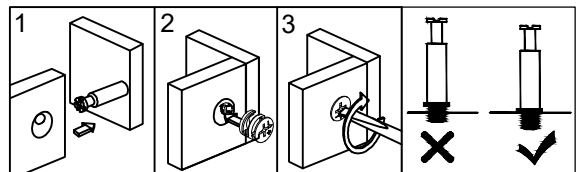
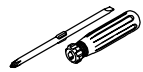
STEP 27

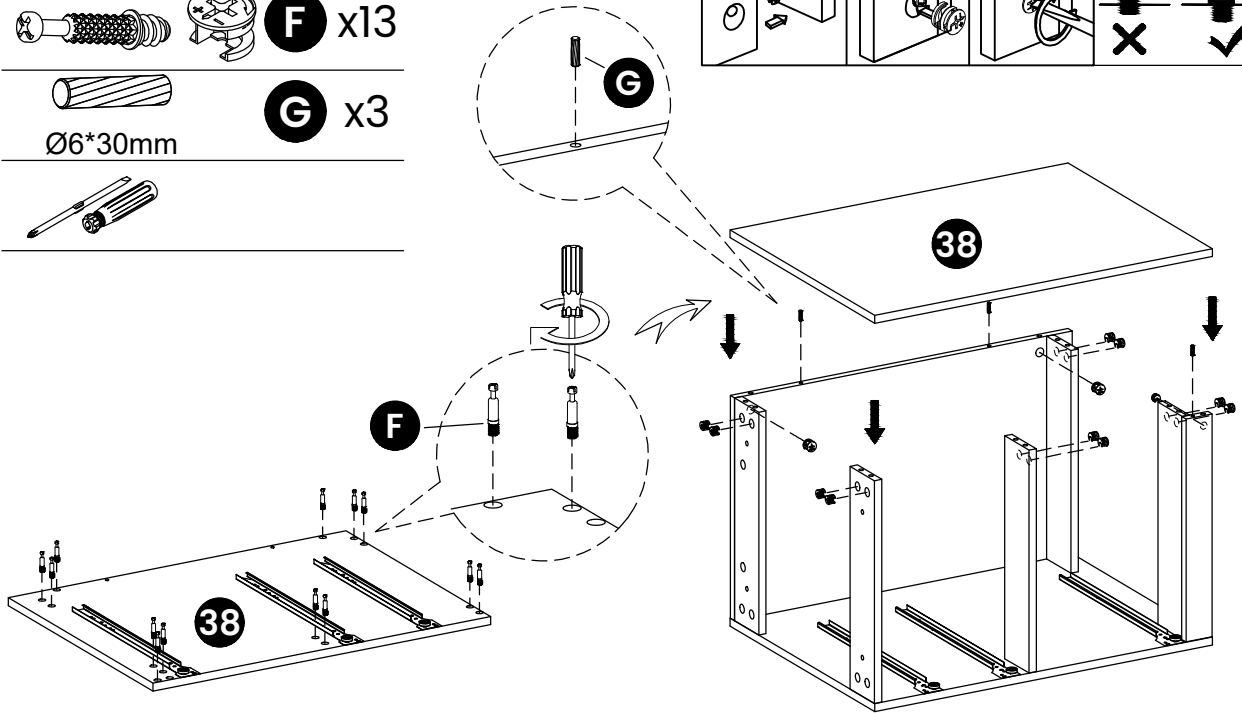
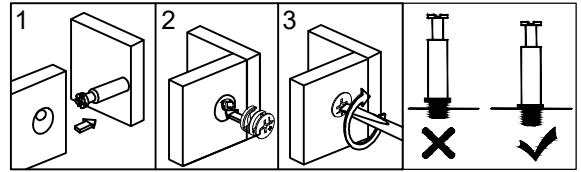
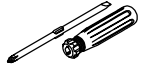
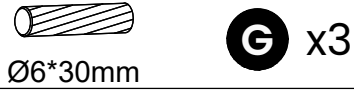
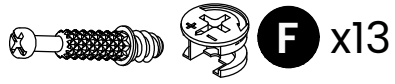
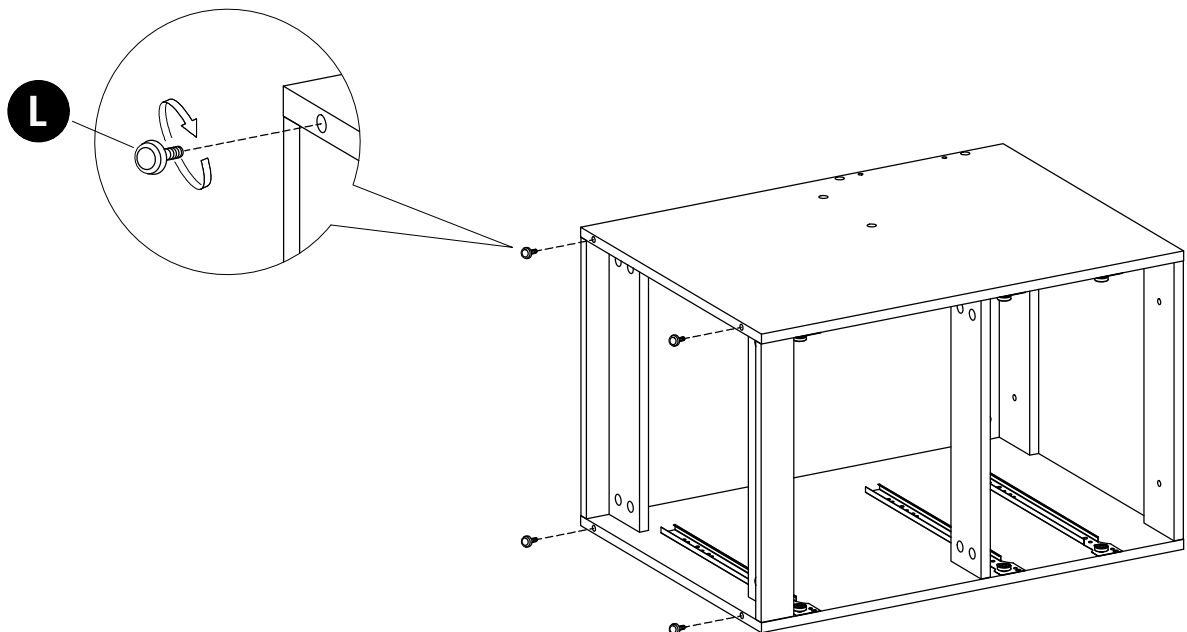


STEP 28

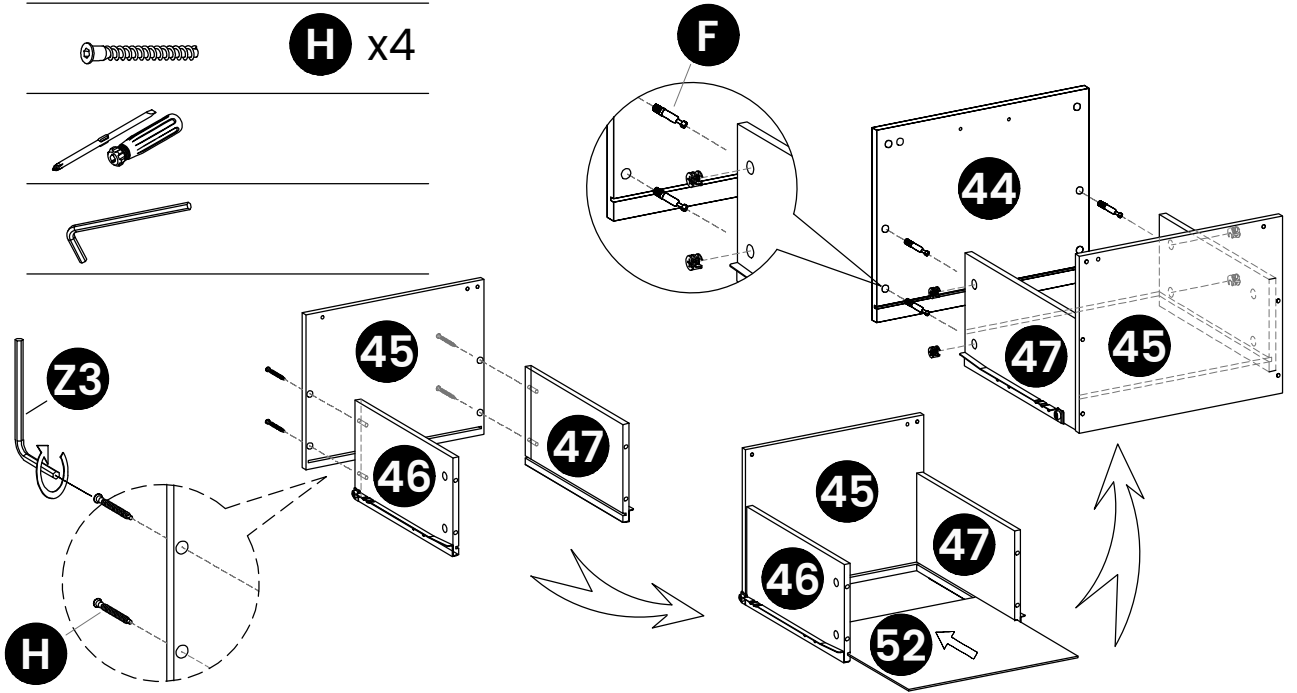
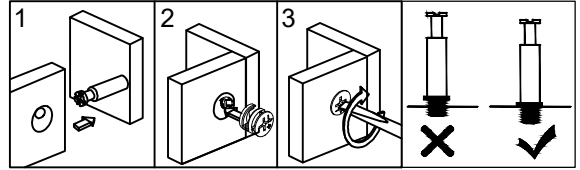
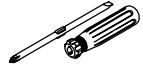
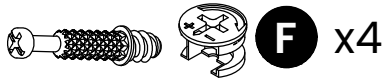


Ø6\*30mm

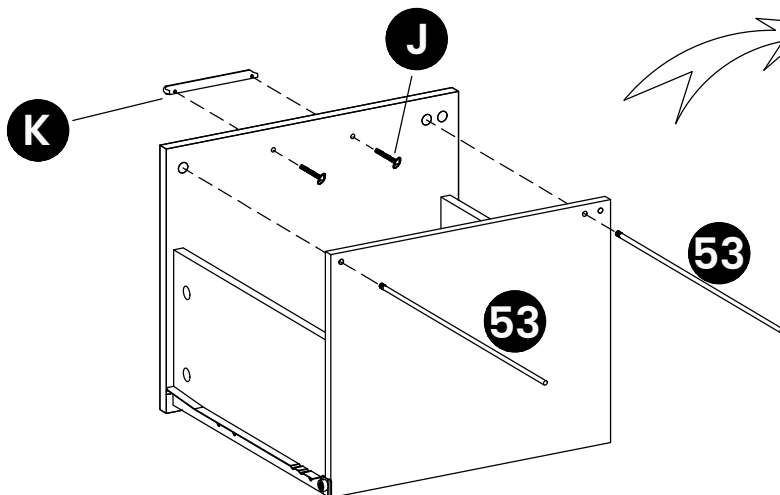
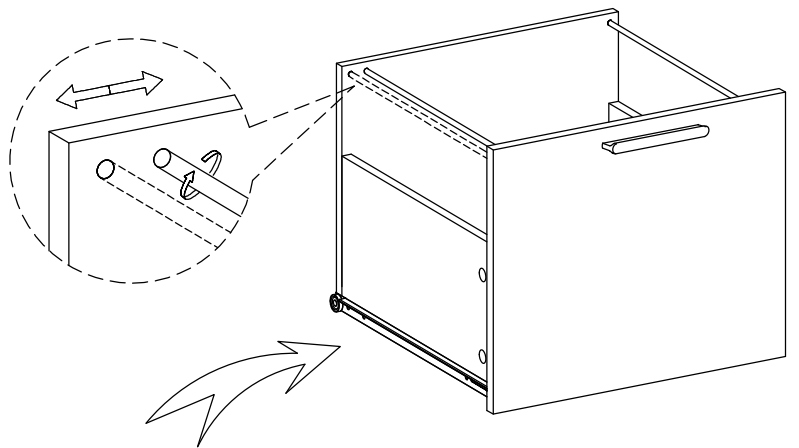
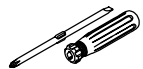


**STEP 29****STEP 30**

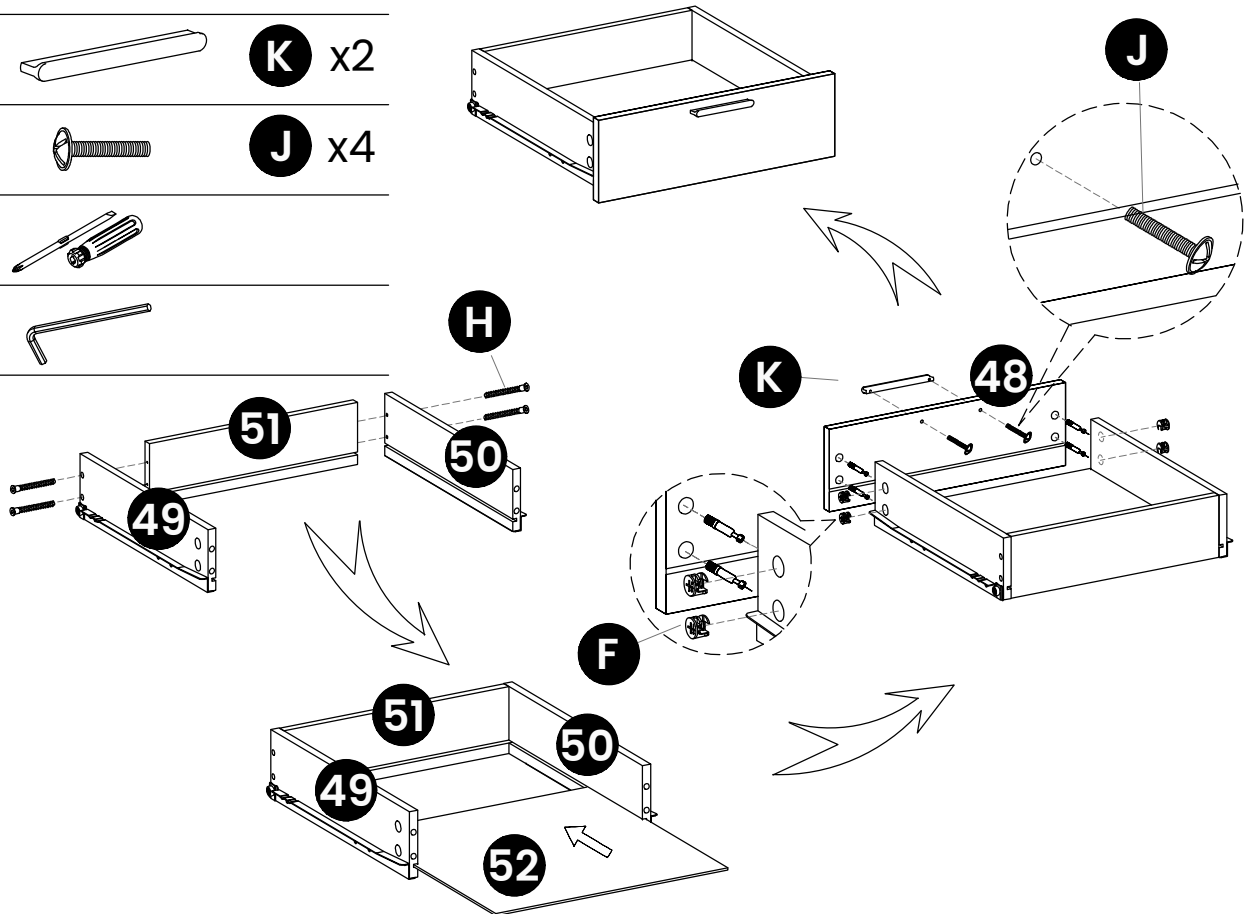
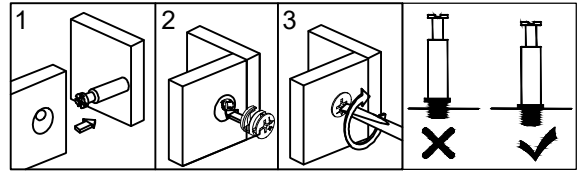
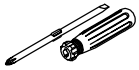
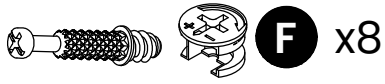
STEP 31



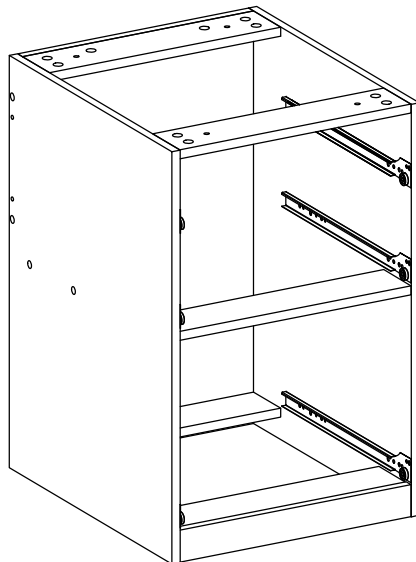
STEP 32

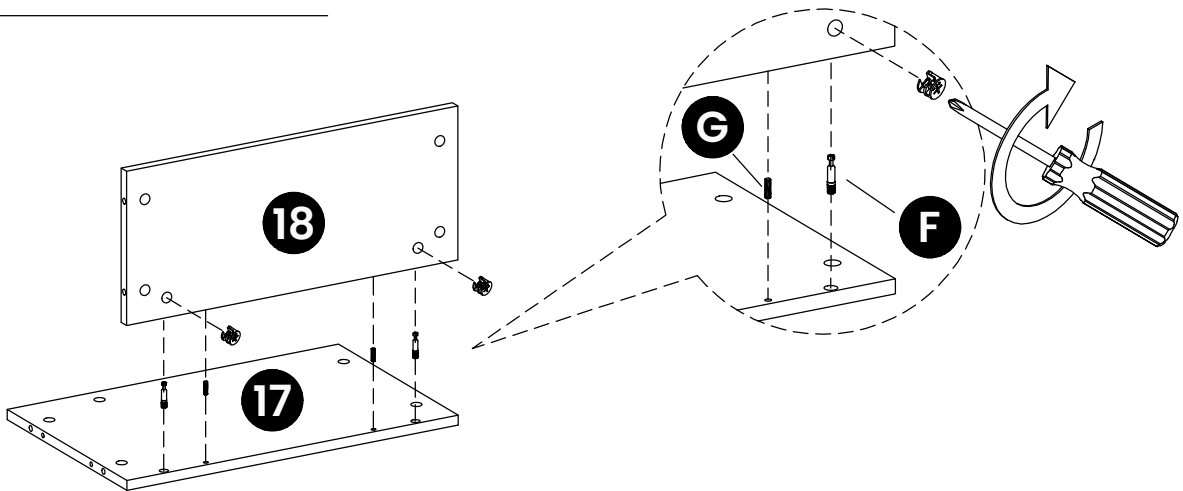
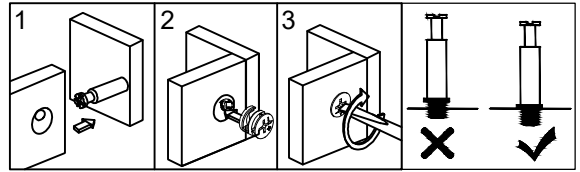
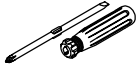
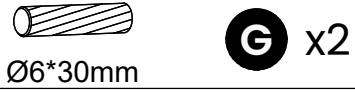
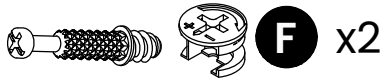
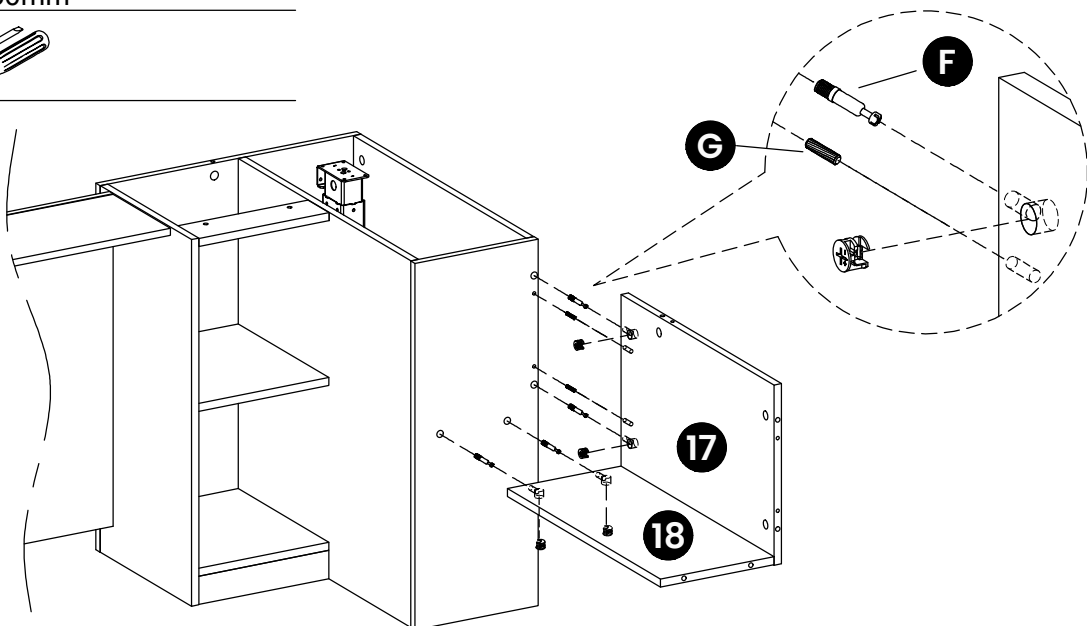
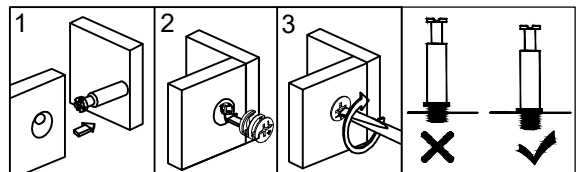
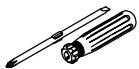
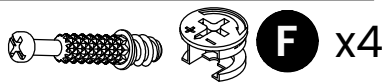


STEP 33

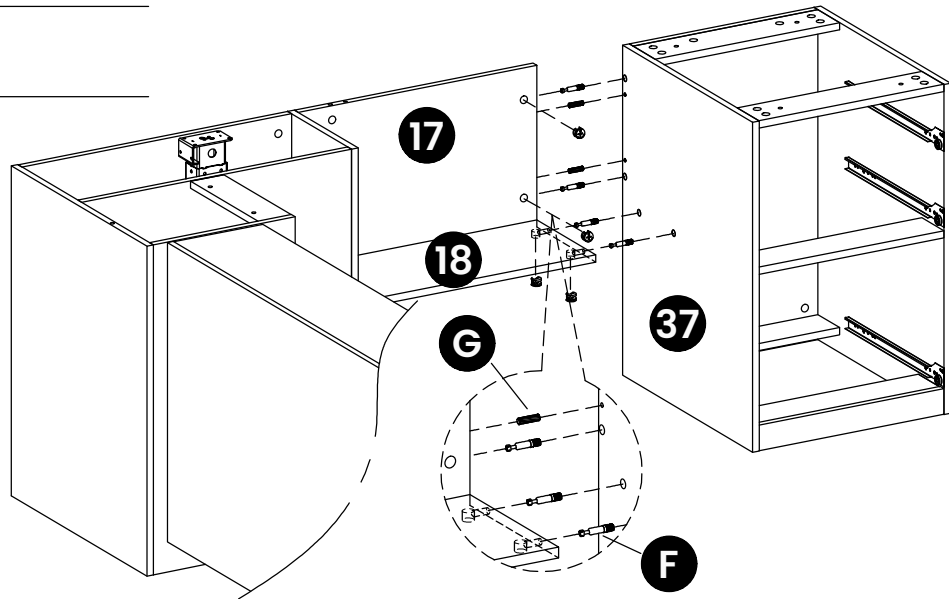
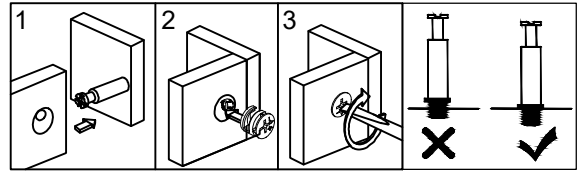
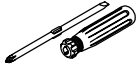
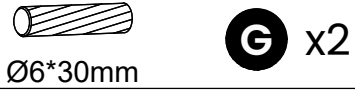
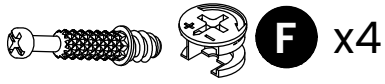


STEP 34

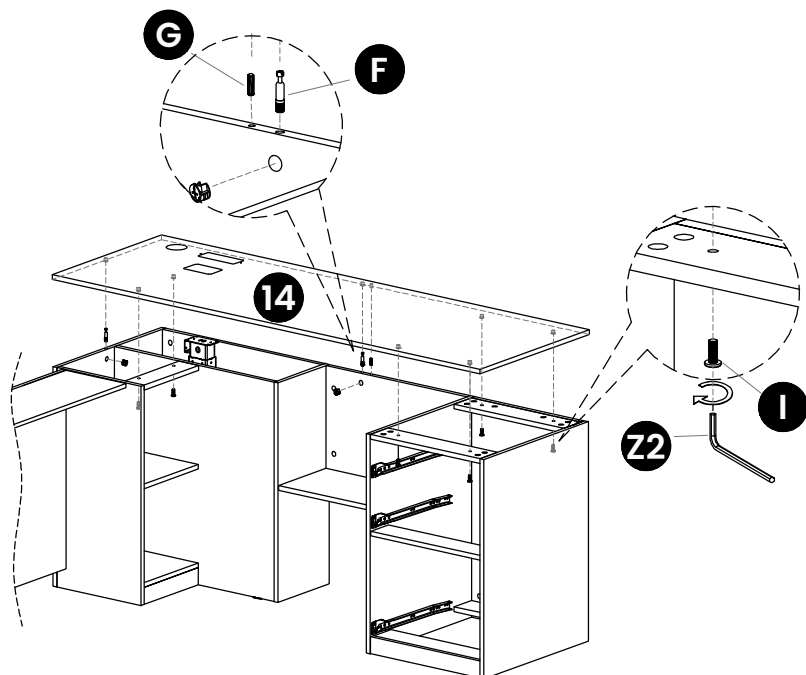
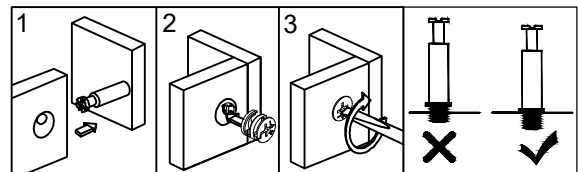
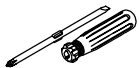
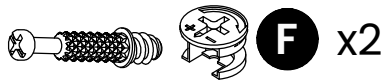


**STEP 35****STEP 36**

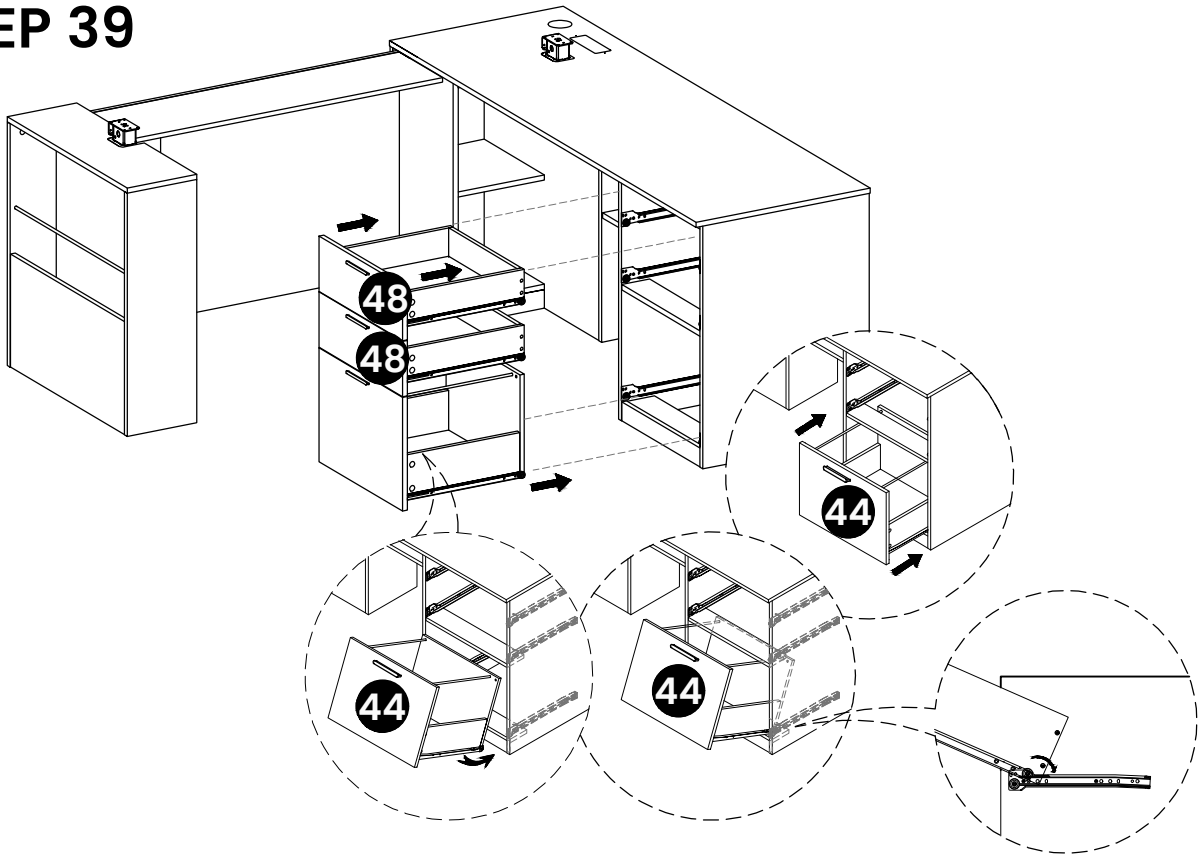
**STEP 37**





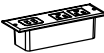

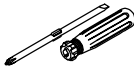
**STEP 38**

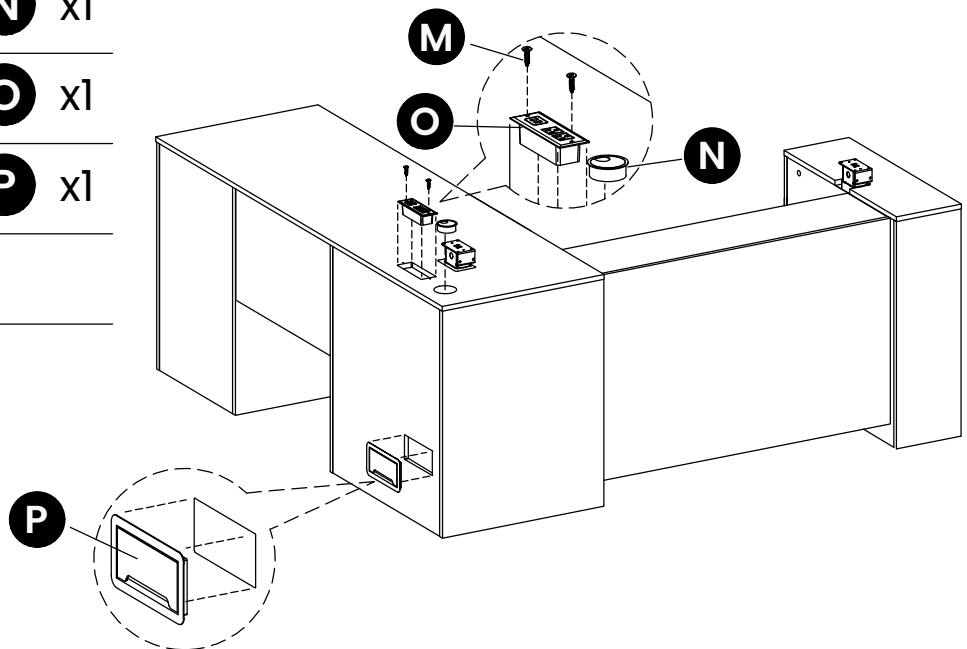


STEP 39



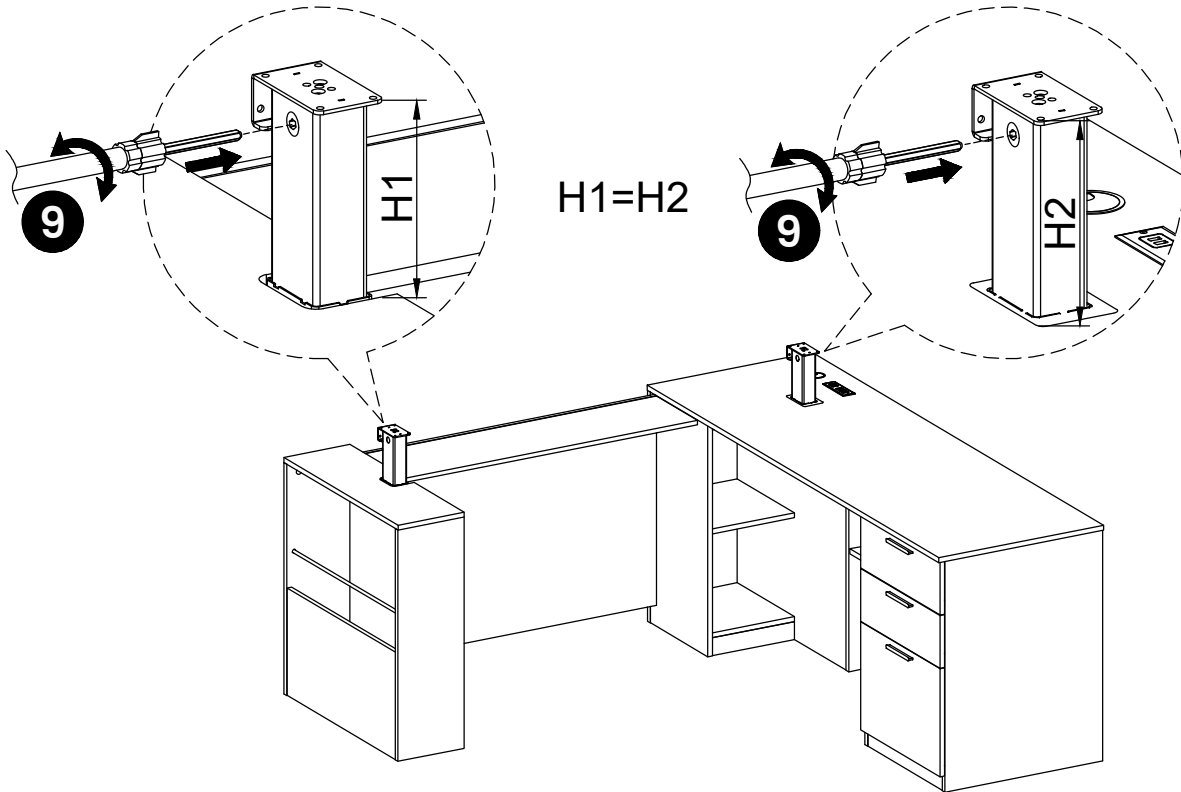
STEP 40

- 
**M** x2
- 
**N** x1
- 
**O** x1
- 
**P** x1
- 



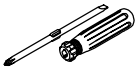



**STEP 41**

Before installing the columns, press them firmly into place or use the hex drive rod to adjust, ensuring that the column heights are consistent.

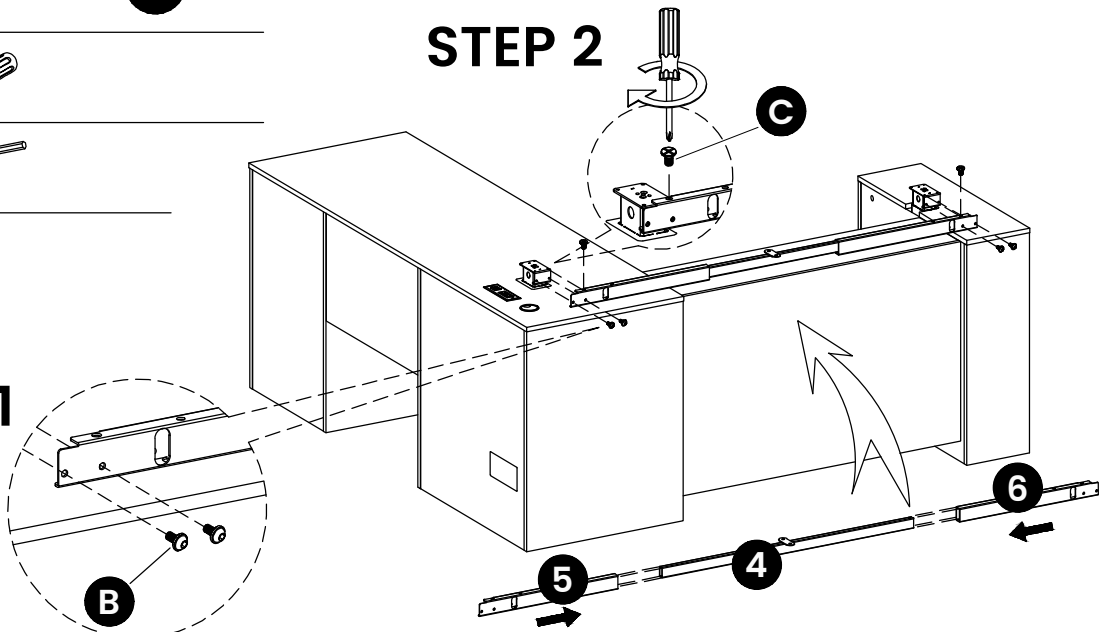


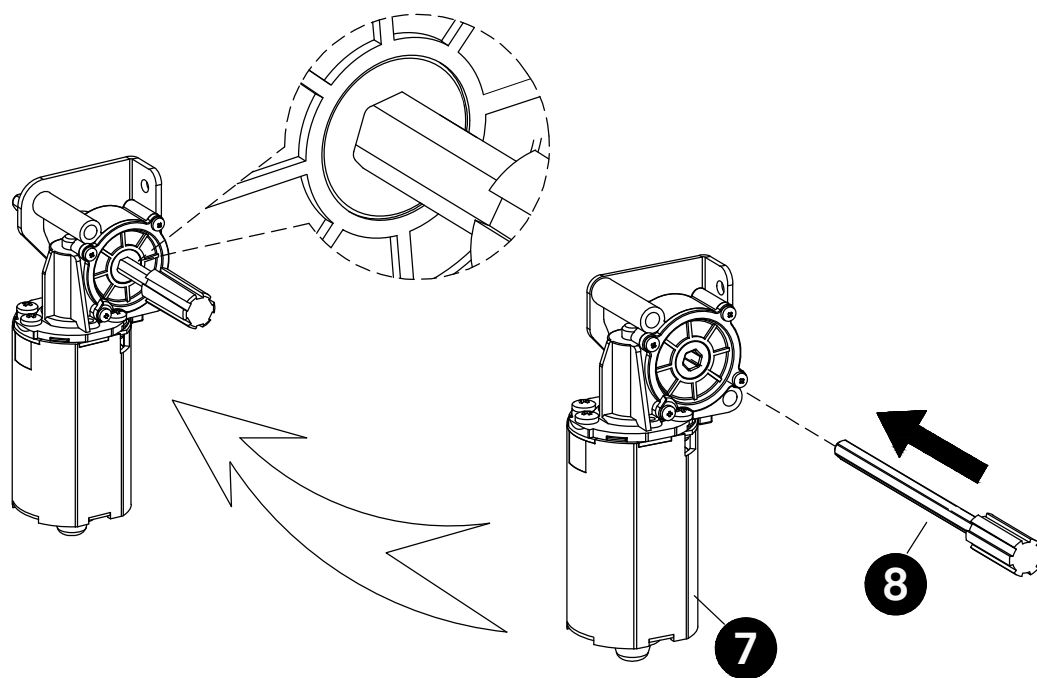
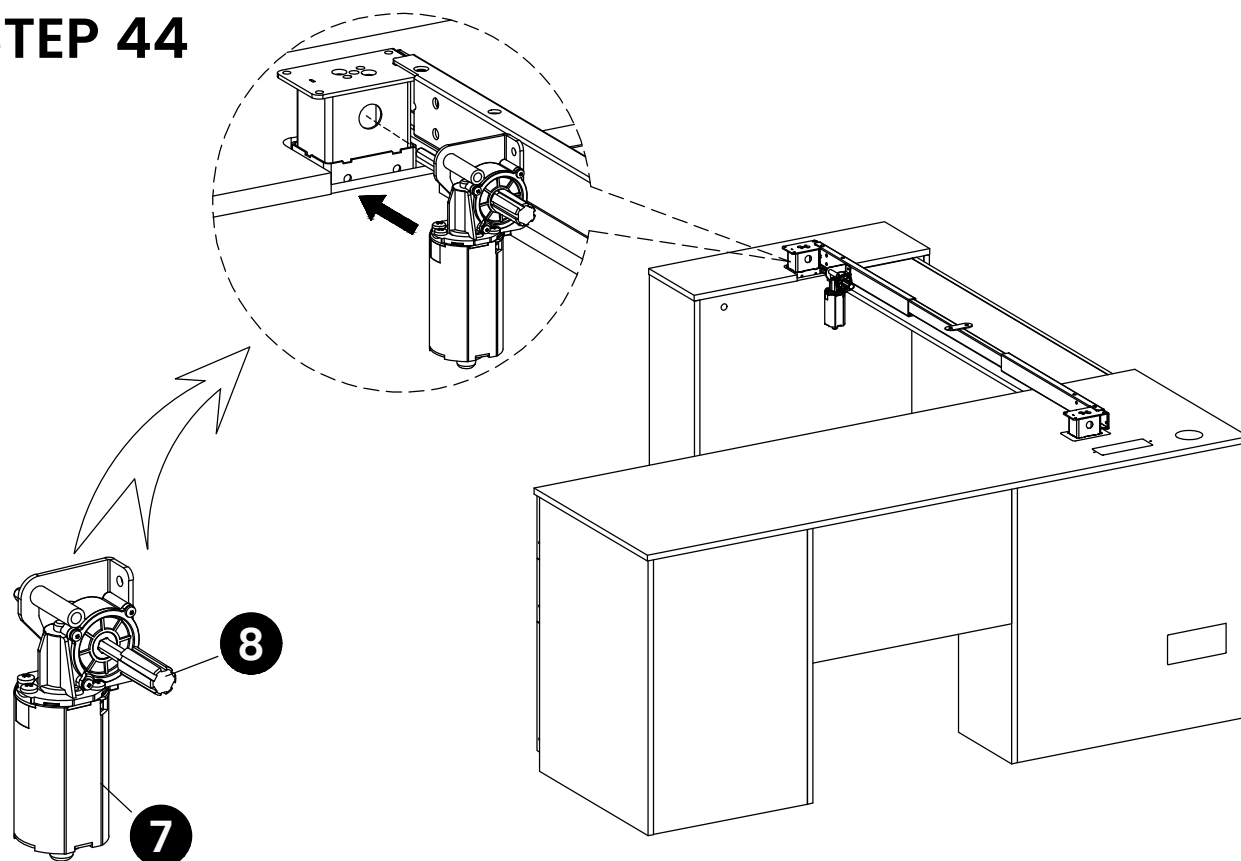
**STEP 42**

-  **C** x2
-  **B** x4
- 
- 

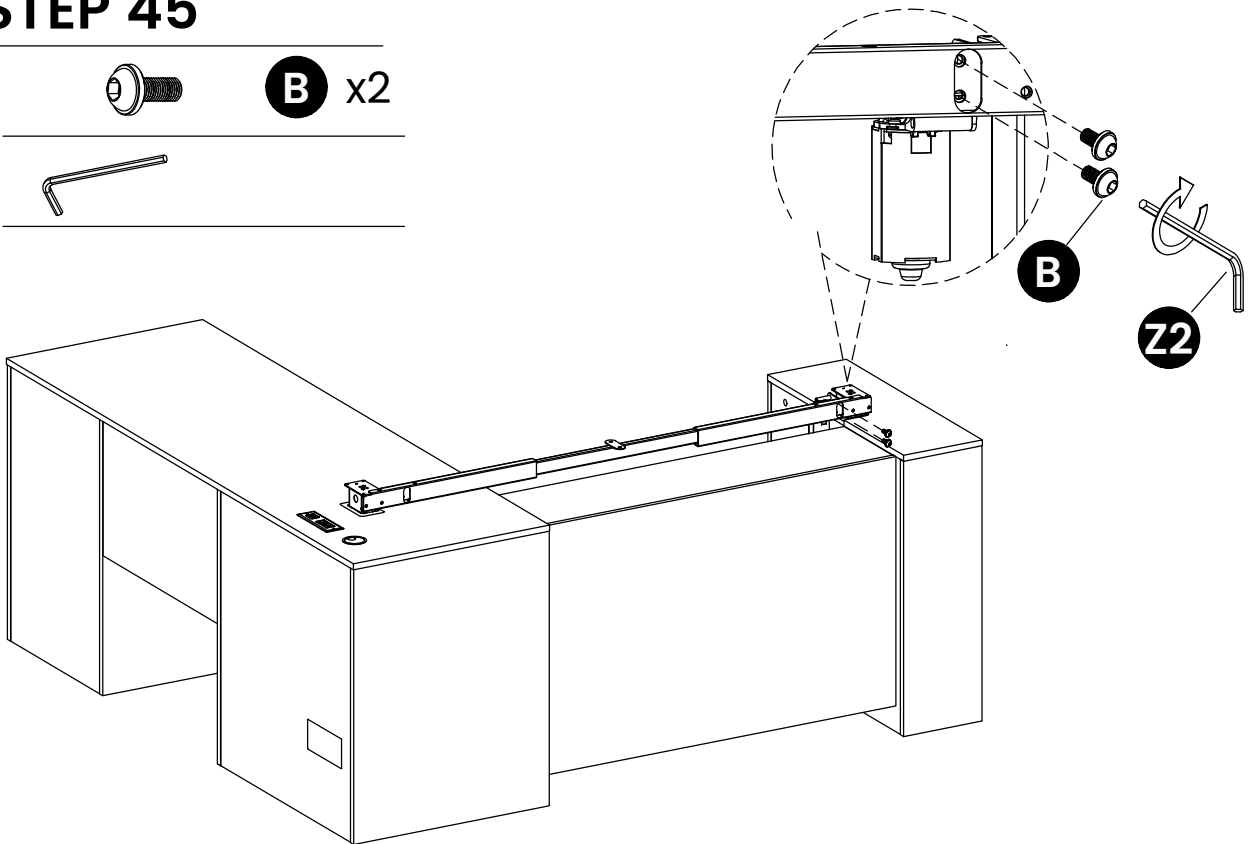
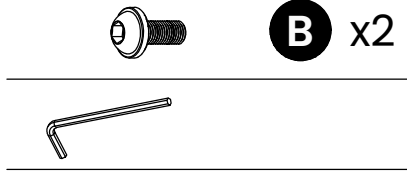
**STEP 2**

**STEP 1**

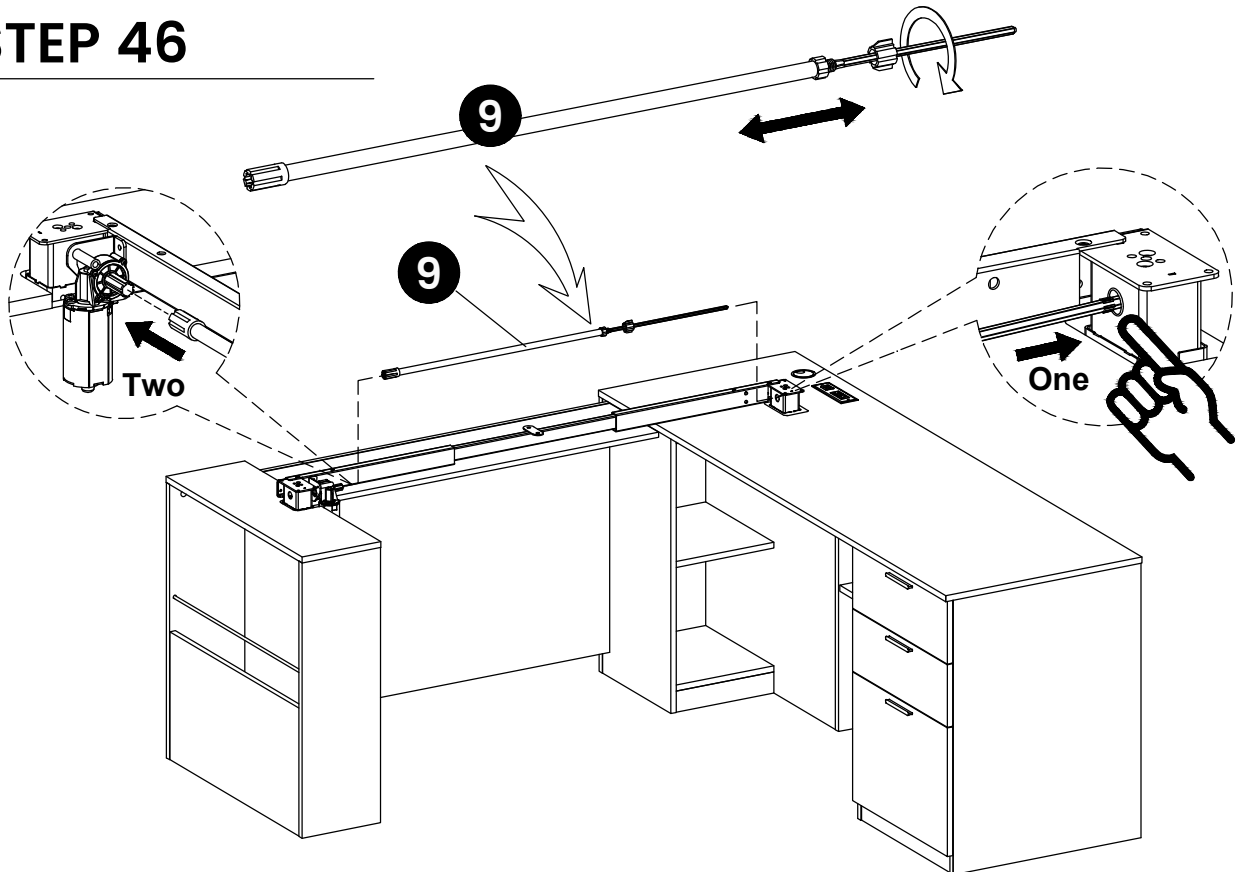


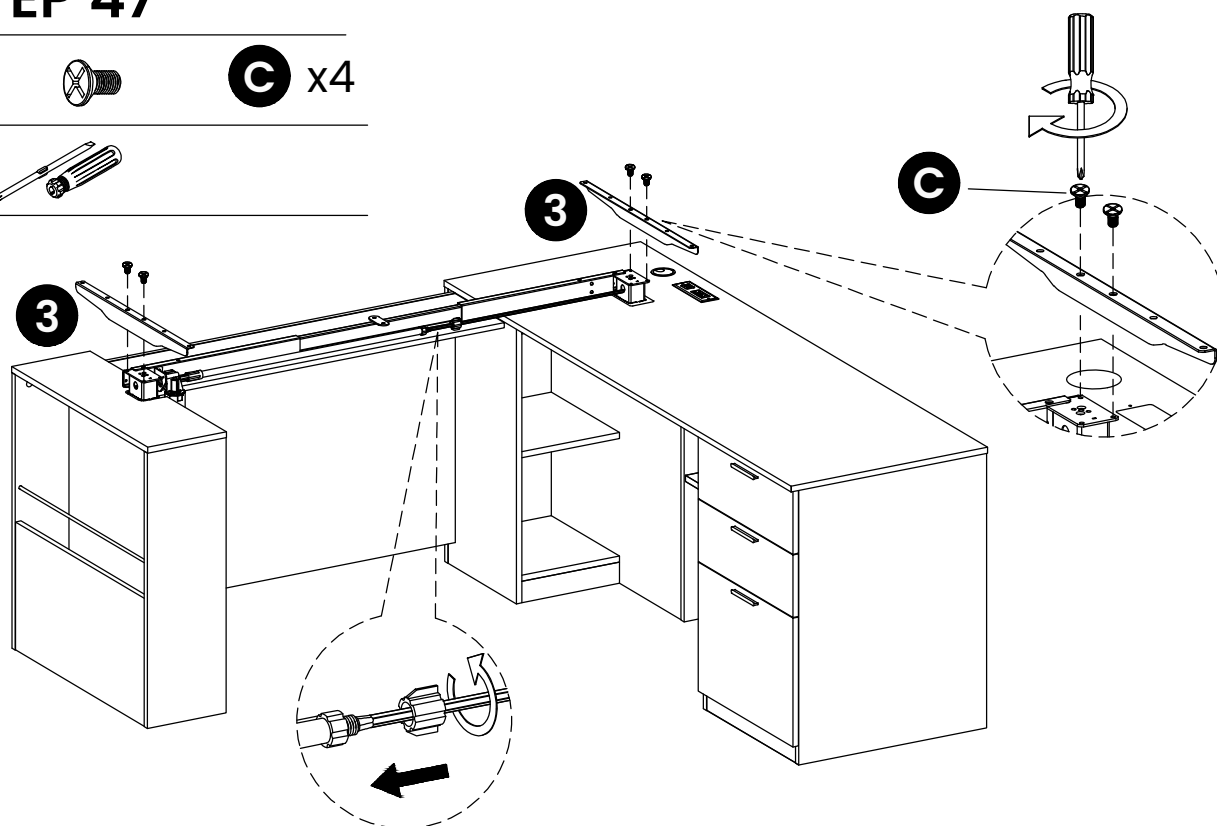
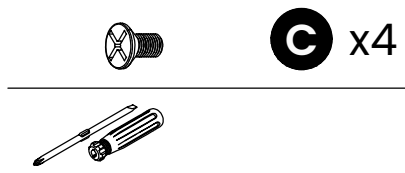
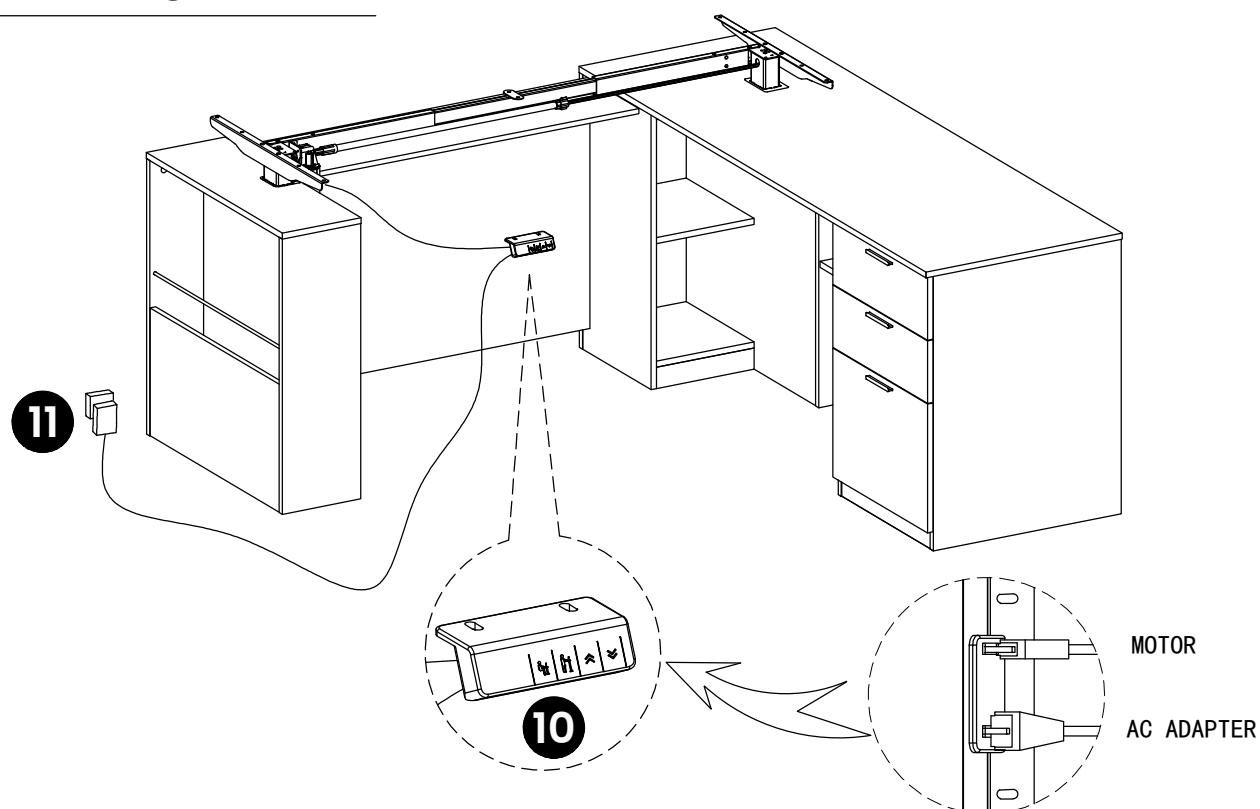
**STEP 43****STEP 44**

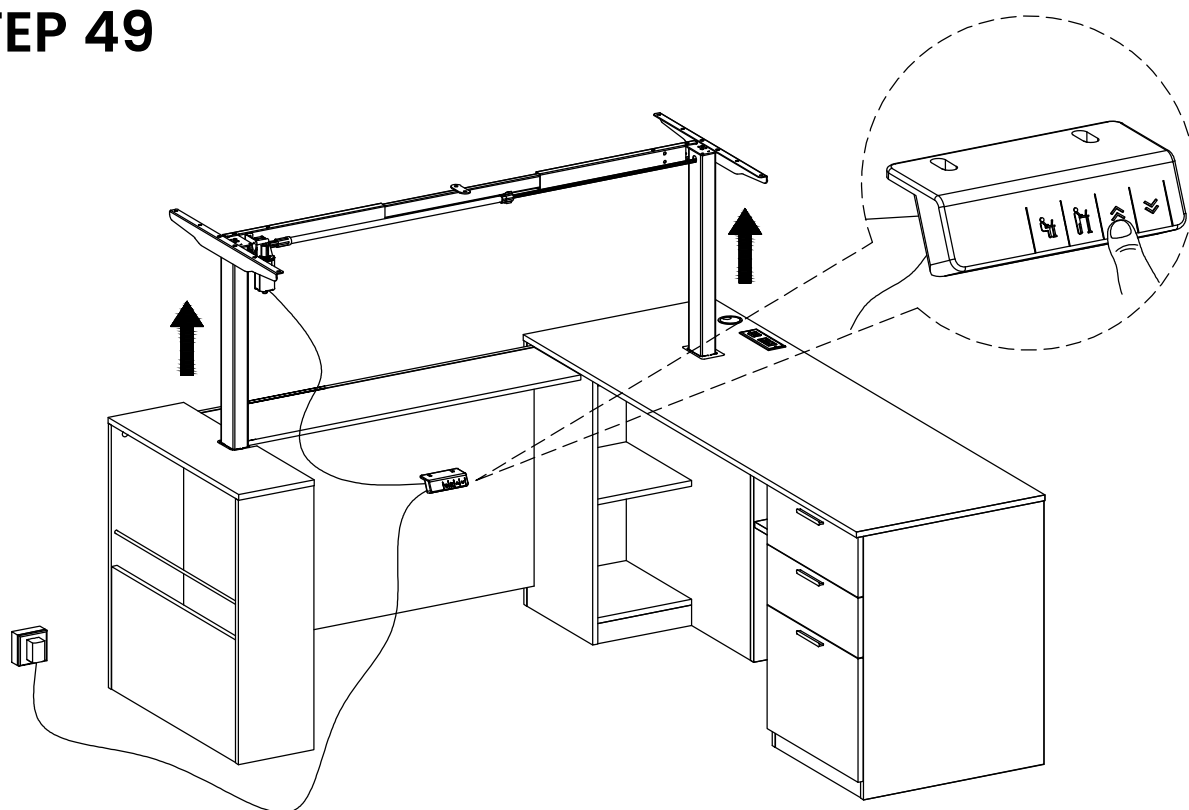
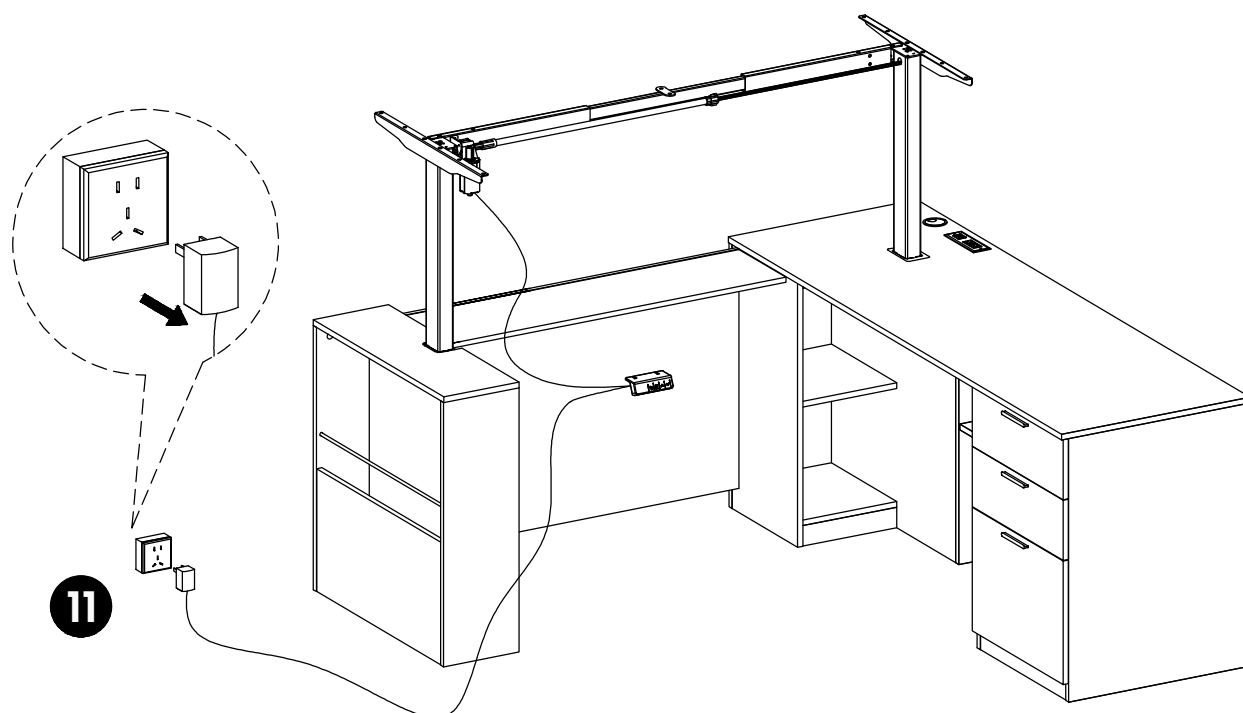
**STEP 45**



**STEP 46**



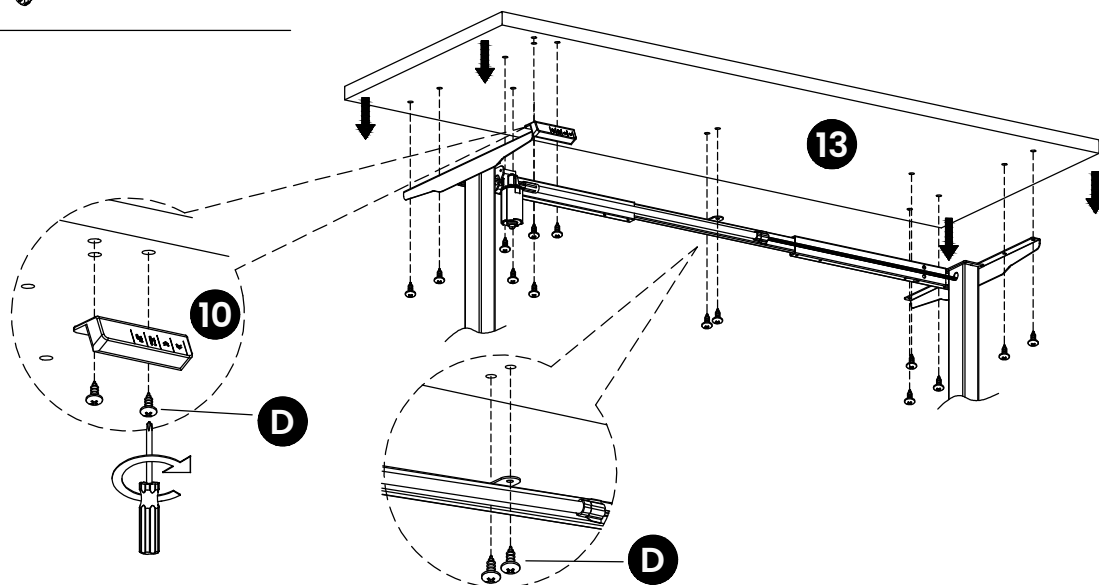
**STEP 47****STEP 48**

**STEP 49****STEP 50**

## STEP 51



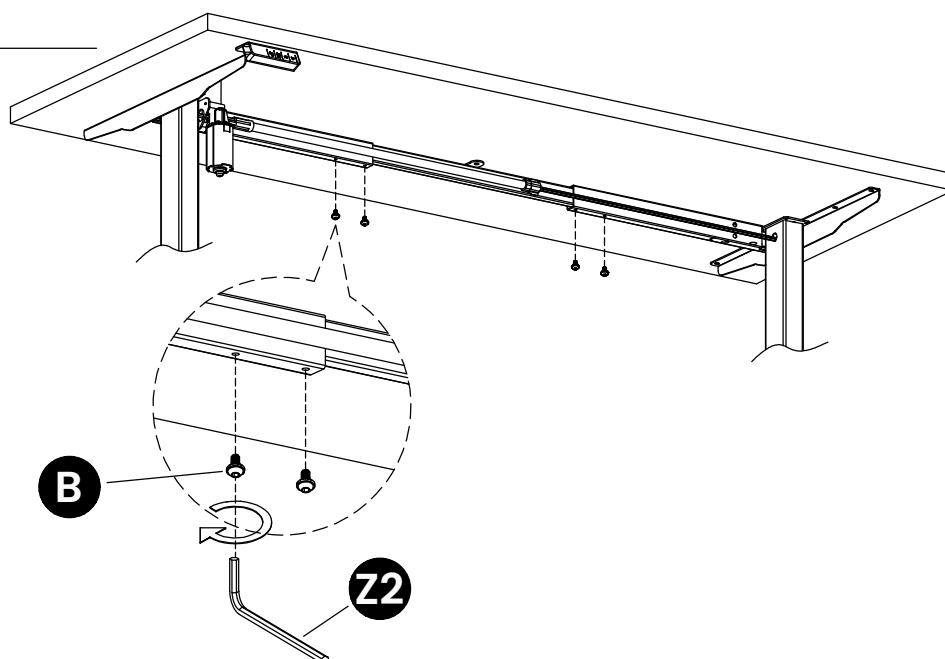
**D** x14



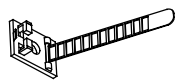
## STEP 52



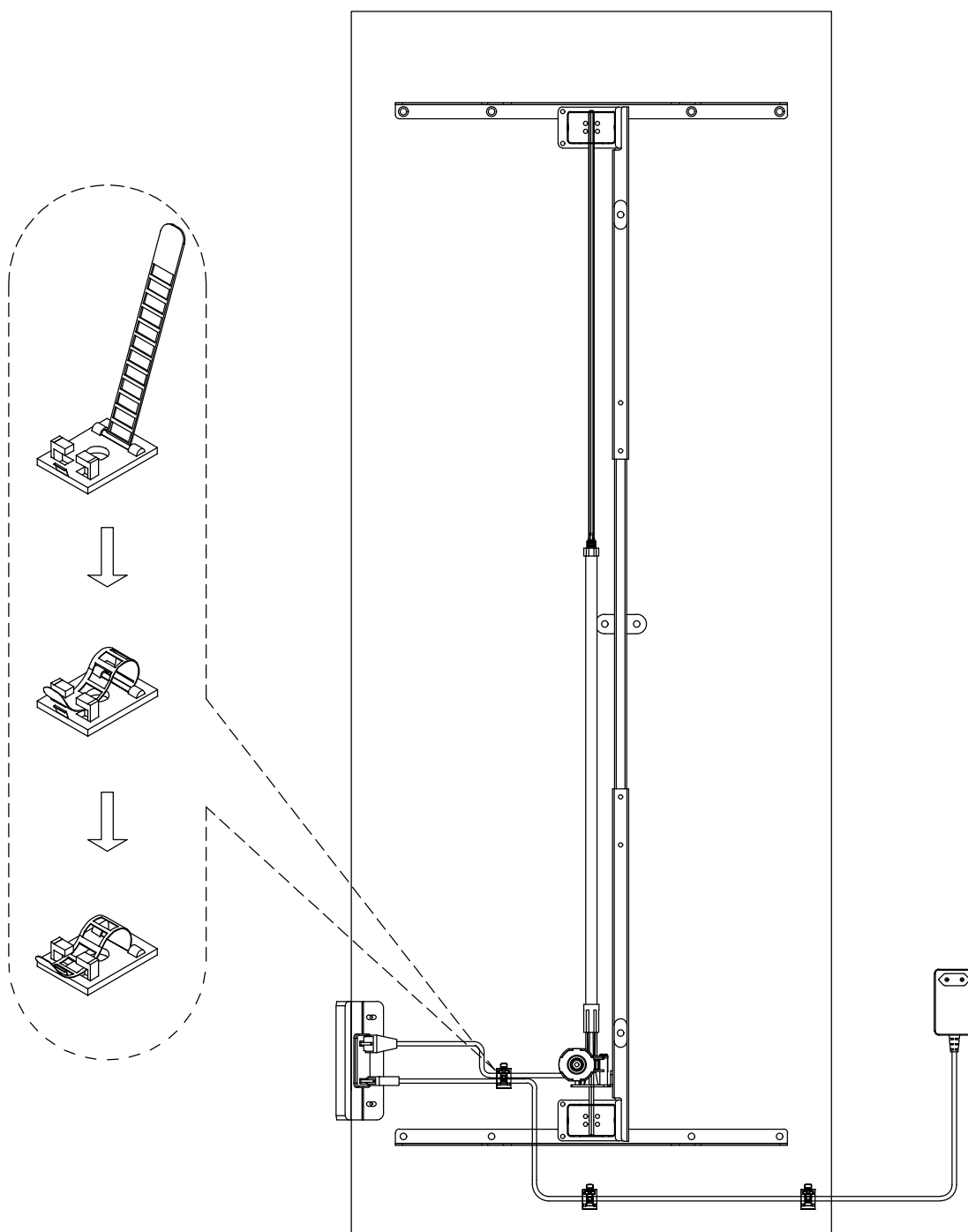
**B** x4

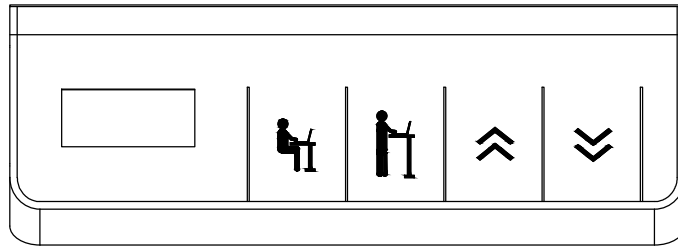


## STEP 53



**E** x3








### Using the Controller

Raise Desk	Press  to raise the desk continuously until it reaches the highest position or the button is released.
Lower Desk	Press  to lower the desk continuously until it reaches the lowest position or the button is released.
Save Current Height Setting	When the standing desk is stopped, press and hold the  or  key until the display shows 'S-1' or 'S-2'. The current height position will then be saved to the corresponding button.
Recall Height Setting	When the standing desk is stopped, short press  or , the desk will move to the height that was previously set for that button. During the operation of standing desk, press any button to stop it.
Power-Saving Mode	The screen will turn off if there is no button-press during 1 minute. Any button-press will turn the screen on again.

### Settings Menu

<ul style="list-style-type: none"> <li> <b>Change Display Height Units</b>                      Simultaneously press and hold the  and  buttons for 8 seconds until the display screen is flashing. Then simultaneously briefly press the  and  buttons to switch the display to 'U-0'. Short press  or  to switch between 'U-1' (imperial) and 'U-0' (metric). Once the modification is complete, simultaneously press and hold the  and  buttons. When the screen displays 'SUS', it indicates that the settings have been successfully updated.                 </li> </ul>
<ul style="list-style-type: none"> <li> <b>Change Collision Detection Sensitivity</b>                      Simultaneously press and hold the  and  buttons for 8 seconds until the display screen is flashing. Then simultaneously briefly press the  and  buttons to switch the display to 'PC3' (up collision sensitivity) or 'DC4' (down collision sensitivity). Short press either the  or  button to adjust the collision protection sensitivity. After adjustment, simultaneously press and hold the  and  buttons until 'SUS' is displayed to complete the settings and exit.  <b>Sensitivity Adjustment Range: 0=OFF; 1~5, the bigger the number, the higher the sensitivity</b> </li> </ul>

- **Reset**

Press and hold  until the desk stops moving for 5 seconds, the controller will display 'rSt', indicating the reset process has started. Keep holding the  button, the desk will slowly descend to its lowest position and then automatically rebound a short distance. Release the  button complete the reset operation. If any unexpected situation occurs during the reset process, you can release the button at any time to stop the desk movement and terminate the reset process. After termination, you will need to restart the reset operation until it is successfully completed before proceeding with any other operations.

### Protection Mode Error Codes

Overheat Protection: HOT	Solution 1. Disconnect the power supply and wait for the screen to go off, and then power on again to use the desk. Solution 2. Suspend the operation and wait for at least 18 minutes before using it.
Overload Protection: E11	Remove heavy objects from the table and wait until the alarm is cleared before using standing desk.
Motor Abnormal Protection: E12	Power off, check and make sure the connection between the motor and the controller is normal, and then power on again to use the desk.
Motor Stall Alarm: E15	Seriously overloaded or the transmission mechanism is stuck. Remove the overloaded object and check whether there is any objects stuck in the transmission mechanism.
Motor Wire Not Connected: E16	Check the connection cable between the motor and the controller. It can be restored after reconnecting.

