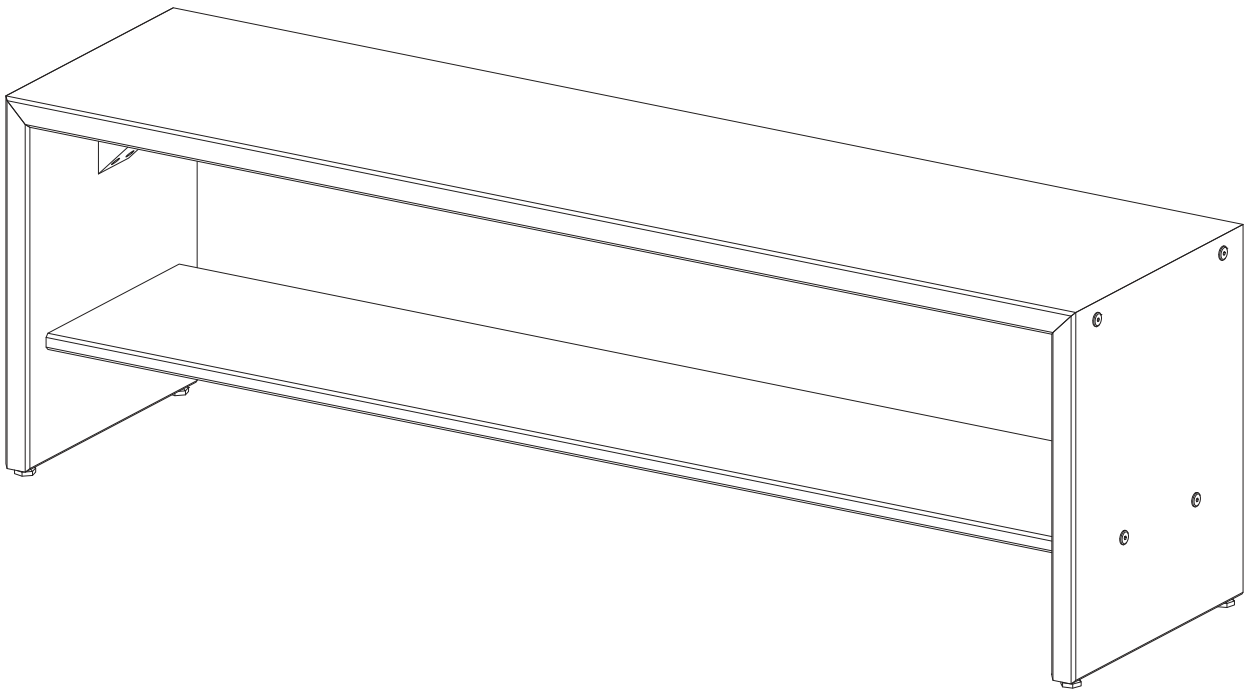


# Item # : B42ALP

## Assembly Instructions



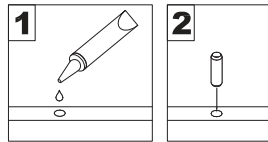
Walker  
Edison®

Please visit our website for the most current instructions, assembly tips, report damage, or request parts. [www.walkerredison.com](http://www.walkerredison.com)

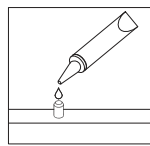
Revised 08/2018

# General Assembly Guidelines

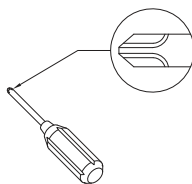
- I. Ensure that all parts and hardware are available before beginning assembly.
- II. Follow each step carefully to ensure the proper assembly of this product.
- III. Two people are recommended for ease in the assembly of this product.
- IV. The three main types of hardware used to assemble this product are : wood dowels , screws and bolts.
- V. The provided glue is to secure wood dowels in place . When first inserting dowels , locate the appropriate hole for the dowel , place a small amount of glue in the hole and insert the dowel . Wipe away excess glue immediately.



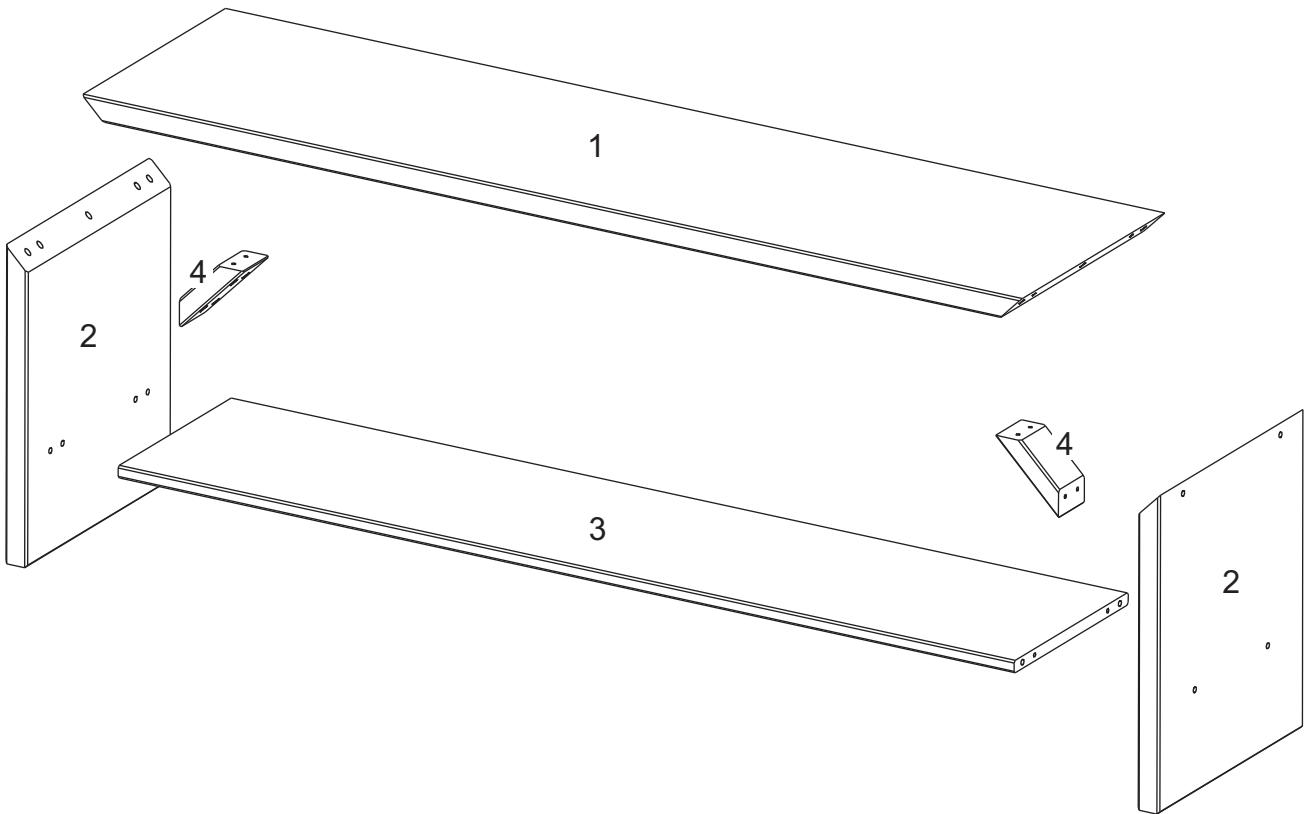
In future assembly steps when dowels are necessary to attach assembly parts together , place a small amount of glue on the end of the dowel before attaching parts together . Wipe away excess glue immediately.










- VI. A Phillips head screwdriver or power tools is required to assembly this product.



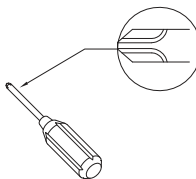
# Parts List



# Hardware List

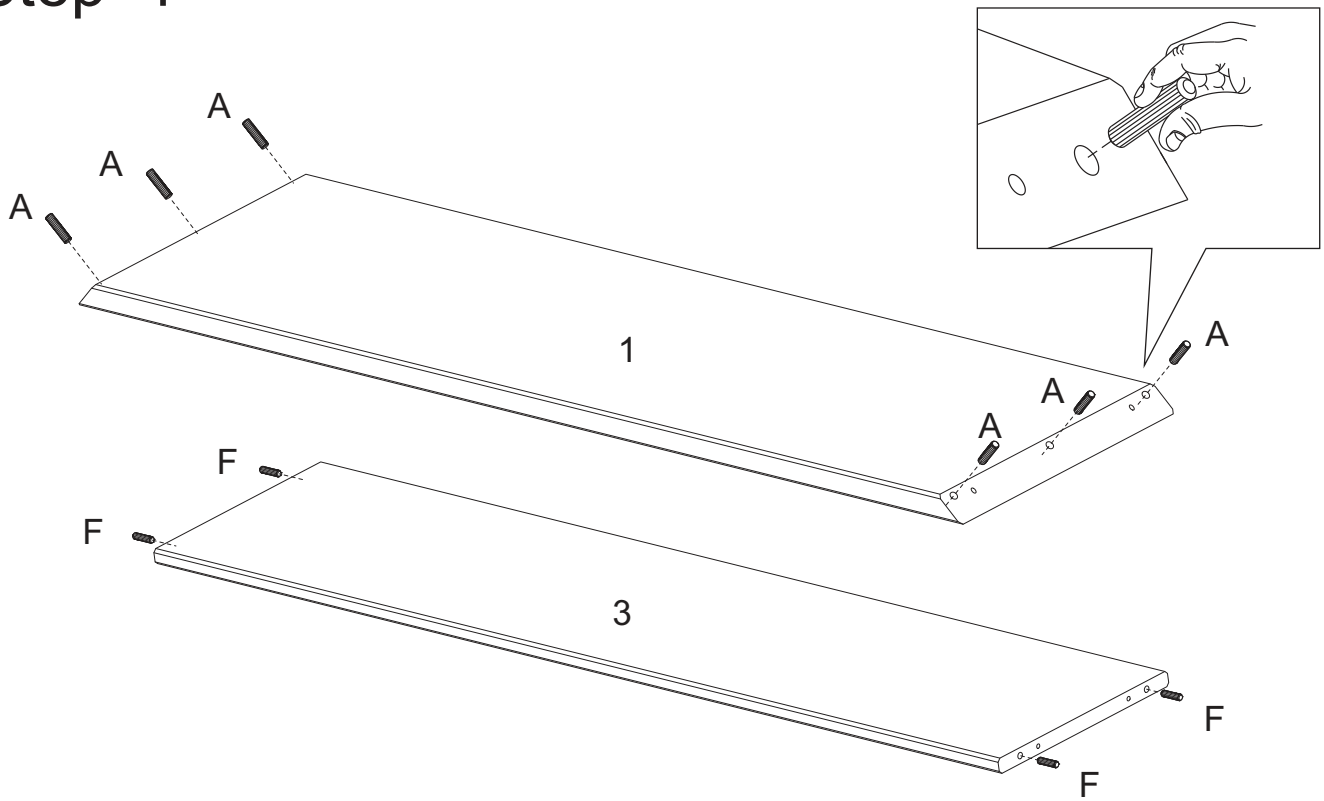
A		Ø10*40mm	Wooden dowel	06 pcs
B		Ø4.0*40mm	Screw	08 pcs
C		Ø7*70mm	Screw	08 pcs
D		M4mm	Hex Key	01 pcs
E			Glue tube	01 pcs
F		Ø8*30mm	Wooden dowel	04 pcs
G			Adjustable Foot	04 pcs

A Phillips head screwdriver or power tools is required to assembly this product (Not included).



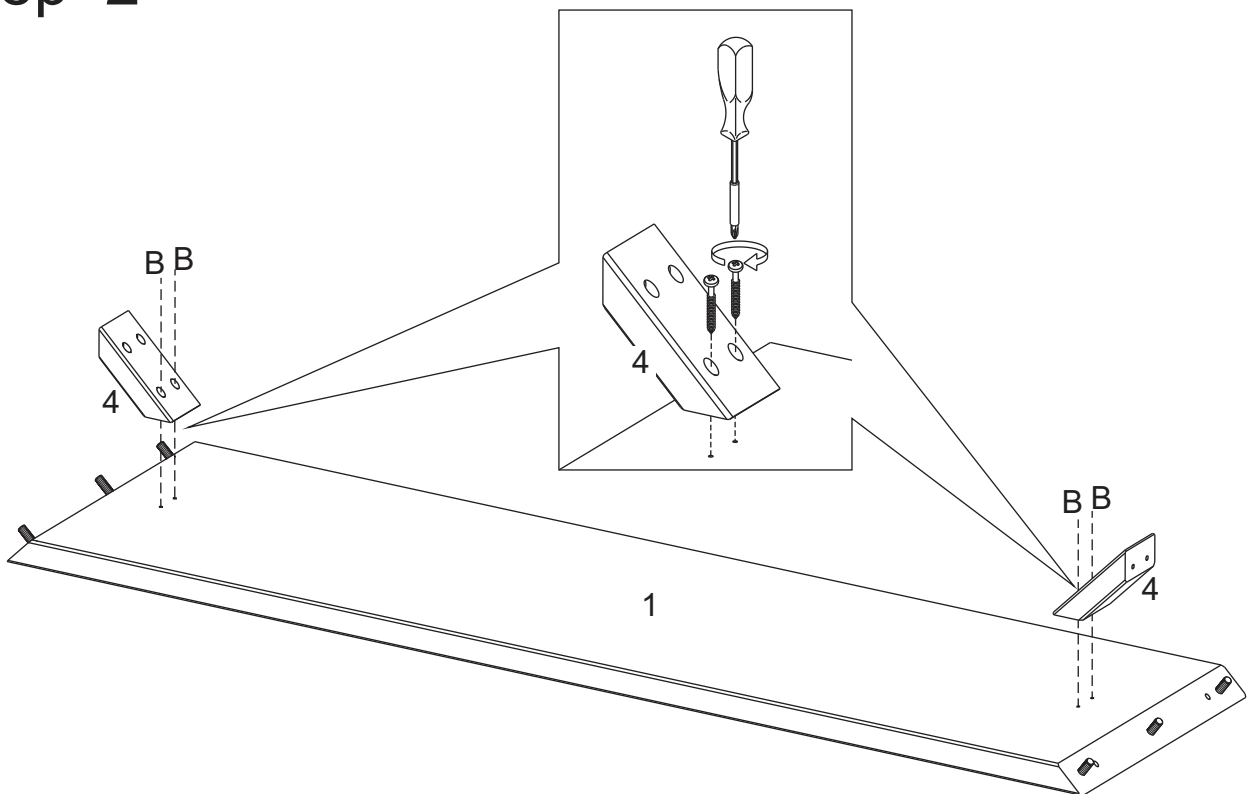
*The hardware quantities listed above are required for proper assembly.  
Some extra hardware may also have been included.*

# Step 1



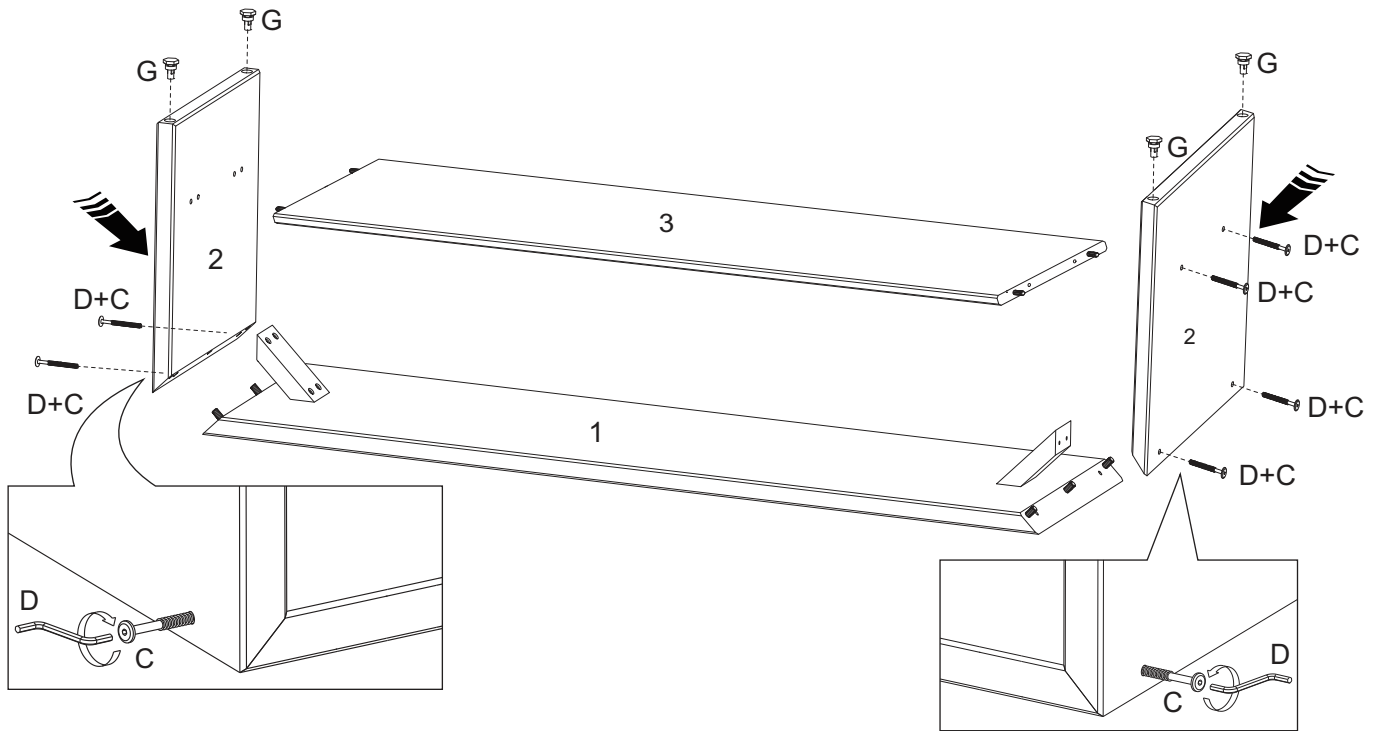
Insert Wooden dowel (A) into top panel (1). Insert Wooden dowel (F) into bottom shelf (3).

# Step 2



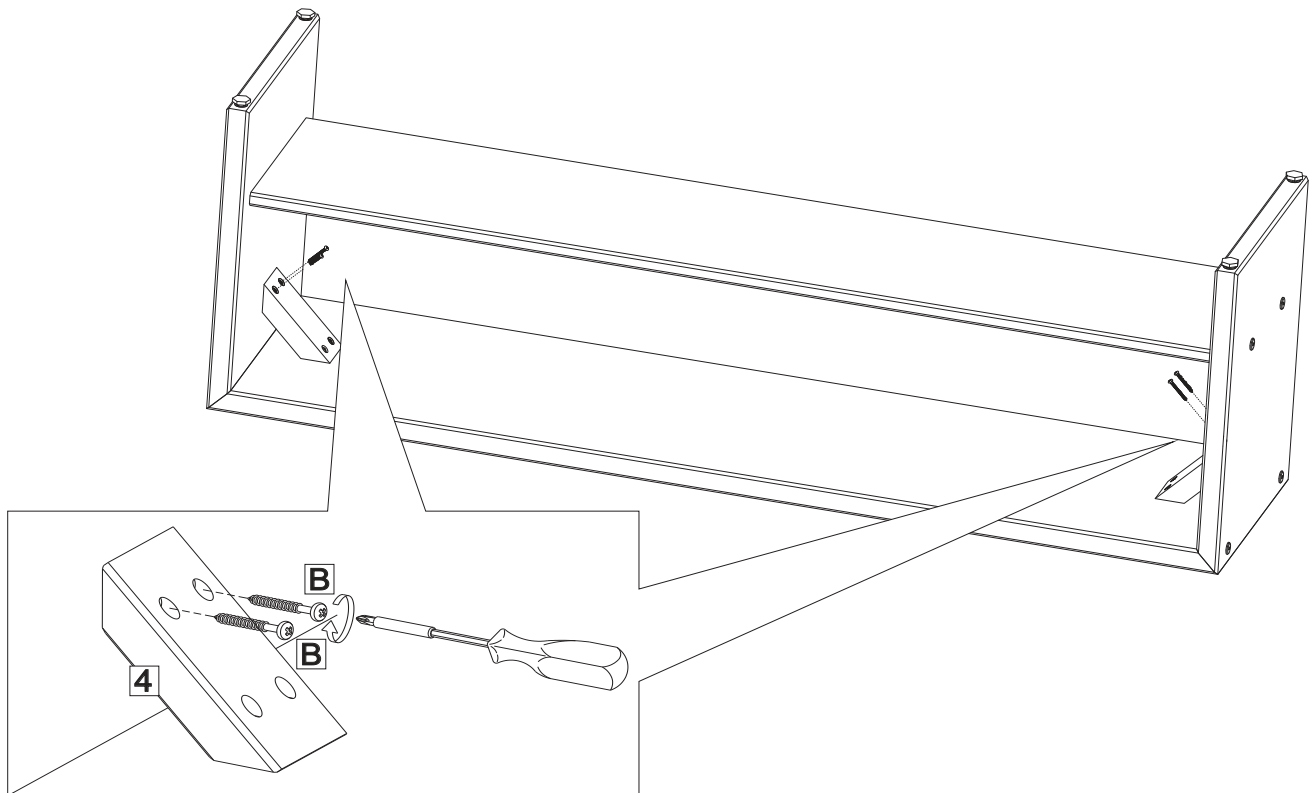
Secure parts (4) to top panel (1) with screw (B).

## Step 3



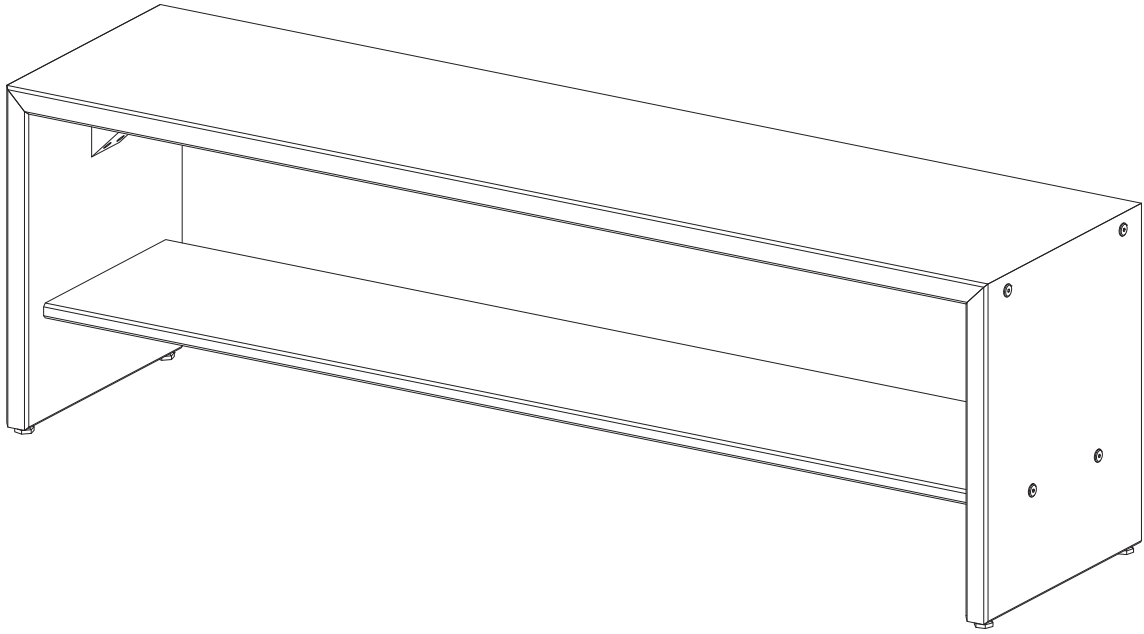
Secure Right side panel (2) to top panel (1) with screw (C) and hex key (D).  
Secure bottom shelf (3) to side panels (2). Then secure Left side panel (2)  
to top panel (1) using screw (C) and hex key (D). Insert adjustable Foot (G) Into side Panels (2).

## Step 4



Secure parts (4) to side panels (2) with screw (B).

# Step 5



Final Assembly