



TCL电子控股有限公司
TCL Electronics Holdings Ltd.
PRODUCTION FORM

版本号(Version) : R1

物料编码 : J0104-001208
(Part No.)

物料名称 : QSG-English
(Part Name)

型号 : NS85-UQFL27 MT26
(Model No.)

日期 : 2025.12.15
(Date)

备注: 此物料如是环保物料, 则在BOM中体现。

品牌/区域(Brand/Region): NA

BOM编号(BOM No.): Z2U10201011437

尺寸: 展开尺寸 : 594*420mm ; 成型尺寸 : 297*210mm

重量+材质+颜色: 150G+双铜纸+四色印刷

加工工艺: 折页, 先左右对折, 再上下对折

备注1 : J0104-001208和J0104-001209是同个BOM物料, 需要保证颜色一致, 避免色差

备注2 : 在J0104-001053基础上更改底座螺丝规格

备注3 : R1更新第一页制作页的料号

制作人 张磊
PREPARED BY: _____

平面审核 线上审签
CHECKED BY: _____

电子/结构/认证
工程师审核 线上审签
CHECKED BY: _____

PDT/
开发经理审批 线上审签
APPROVED BY: _____

INSIGNIA™

fire tv

QUICK SETUP GUIDE

85"

60 Hz LED TV 4K ULTRA HD

NS85-UQFL27

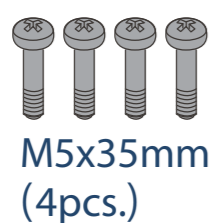
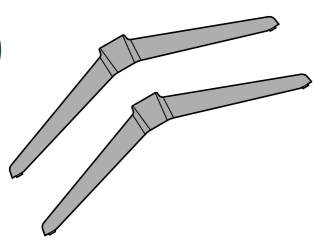
INCLUDED ACCESSORIES

Voice Remote with Alexa
and two AAA batteries



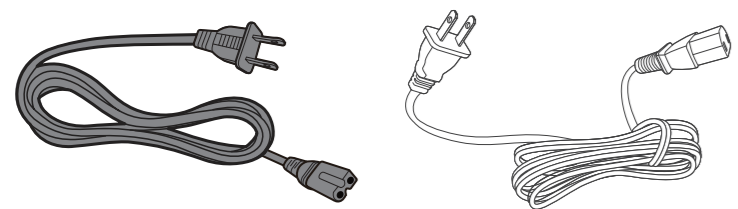
TV stands

85"



M5x35mm
(4pcs.)

Power cord



STOP

Before using your new product, please read these instructions to prevent any damage.

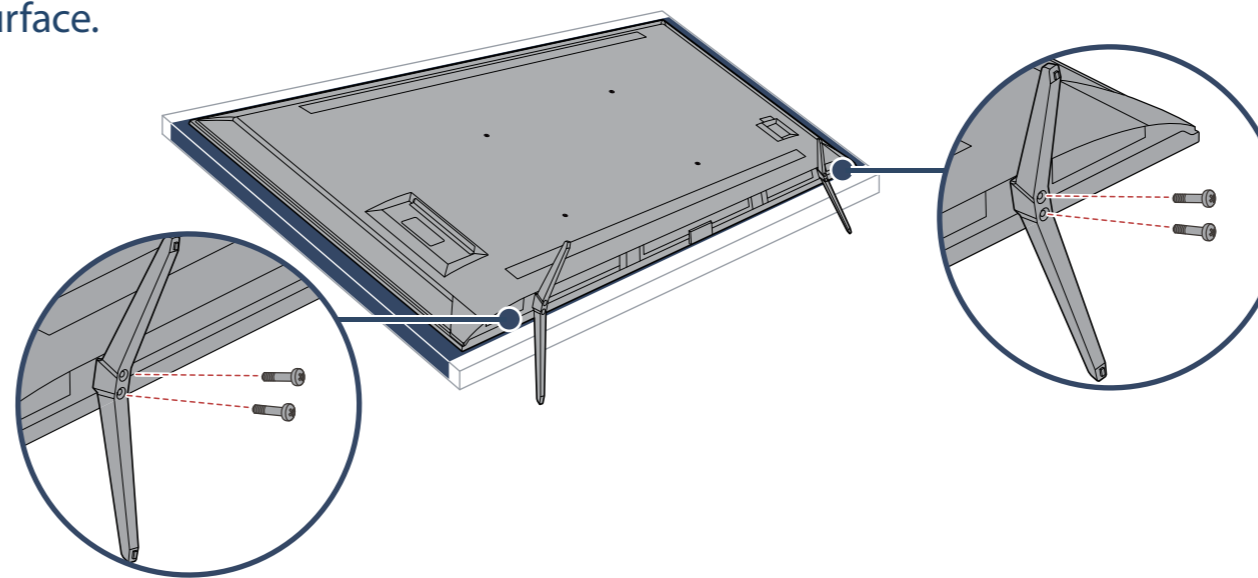
Do not plug your power cord in until all other devices have been connected.

1 INSTALLING THE STANDS OR A WALL MOUNT

Place your TV face-down on a cushioned, clean surface.

STANDS

- 1 Align the TV stand screw holes with the holes on your TV's bottom.
- 2 Use a Phillips screwdriver and the four provided screws to secure the stands to your TV.



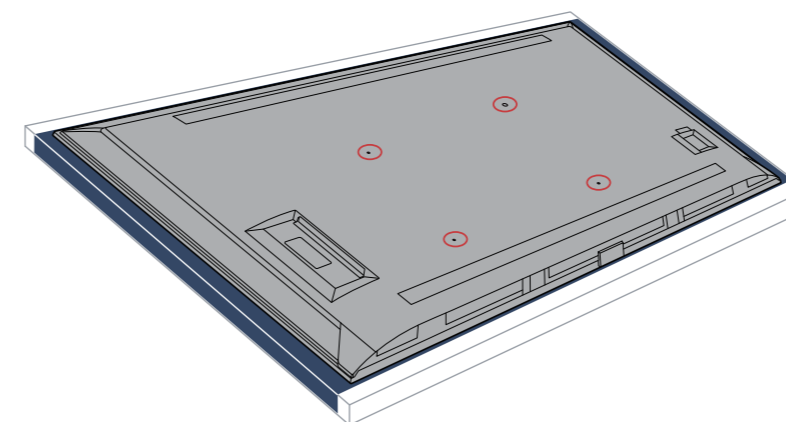
WALL MOUNT

Before you mount your TV, make sure that:

- You remove the stands.
 - The wall-mount bracket supports the weight of your TV.
- See the instructions that came with your wall mount for more information about how to correctly mount your TV.

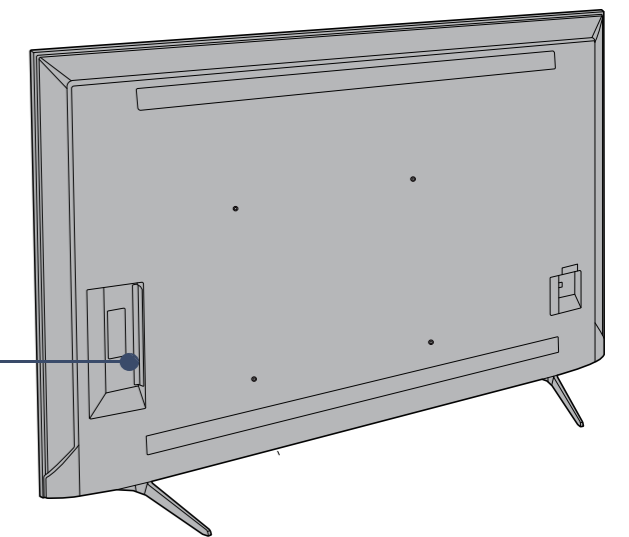
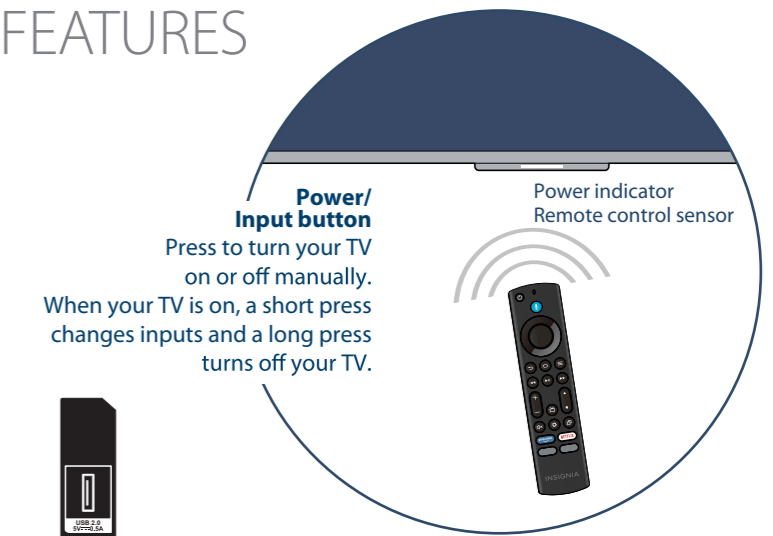
WARNING: Your TV has four VESA mounting holes on the back. **You must secure a wall-mount bracket to all four holes.** If you do not use all four holes, your TV may fall and cause property damage or personal injury.

Note: Wall-mount screws are not included.



85" **VESA Mounting Pattern**
600 × 400 mm
Screws: type M8,20 mm length

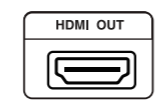
FEATURES



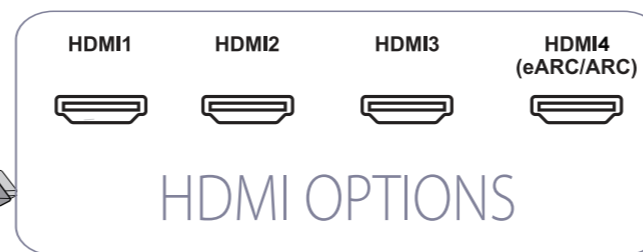
Note: Images do not necessarily represent the exact design of your television.

2 MAKING CONNECTIONS

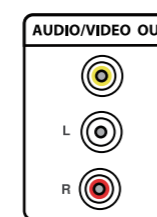
HDMI (best video quality)



Note: You can use the **HDMI4 (eARC/ARC)** jack to connect a digital audio system.

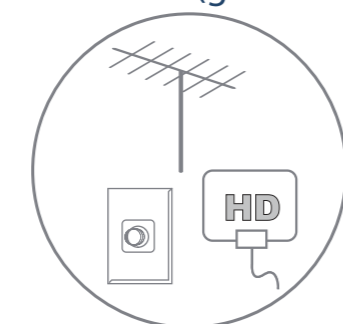


AV (good video quality)

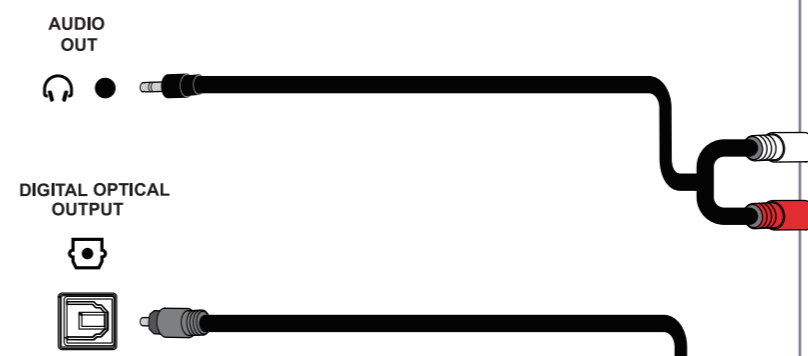


Note: The AV in adapter cable is not included

Tuner (good video quality)



Connect an antenna to access live over-the-air TV.



ANALOG

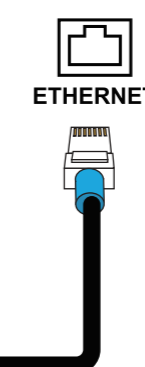
AUDIO IN

AUDIO OPTIONS

DIGITAL OPTICAL AUDIO IN

You can use the **DIGITAL OPTICAL OUTPUT** jack or the **HDMI4 (eARC/ARC)** jack. **Note:** If you need to change the digital audio format, go to the **Home** menu, select **Settings**, then select **Display & Sounds**. Select **Audio Output**, then select **Digital Audio Format** and change the setting to **PCM** or your preferred audio format.

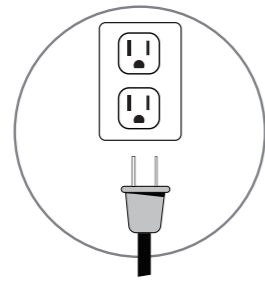
ETHERNET(optional)



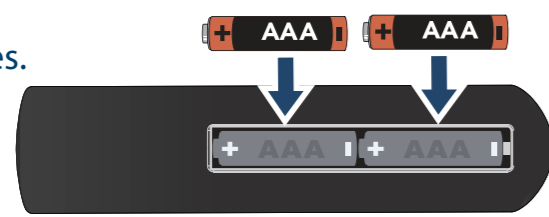
Note: You can use a wired Ethernet connection to access the internet instead of a Wi-Fi connection. Plug an Ethernet cable into the **Ethernet** jack on your TV and your Ethernet/Lan connection.


3 TURNING ON YOUR TV

1 Plug the power cord into the back of your TV and a power outlet.



2 Remove the remote control cover and install the batteries.



3 Press  on your Voice Remote with Alexa.

4 Follow the on-screen instructions.

4 COMPLETE THE ON-SCREEN SETUP

Your TV should automatically pair to your new Voice Remote with Alexa.

1 If your remote is not paired, press and hold . If you continue to have issues, re-insert or replace the batteries and try again.

2 Select your Wi-Fi network from the displayed network list.

Note: If your Wi-Fi network is password protected, enter your network password using the on-screen keyboard. If your network is hidden, select the **Join Other Network** tile.

3 Select your experience: **Full** (recommended) or **Basic**.

- Select **Full** to access live TV, 1.5 million movies and TV episodes, and thousands of channels, apps, and Alexa skills. To get started, sign into or sign up for a free Amazon account.
- Select **Basic** to access live TV and the six preset streaming apps. Alexa and the full Appstore are not included.

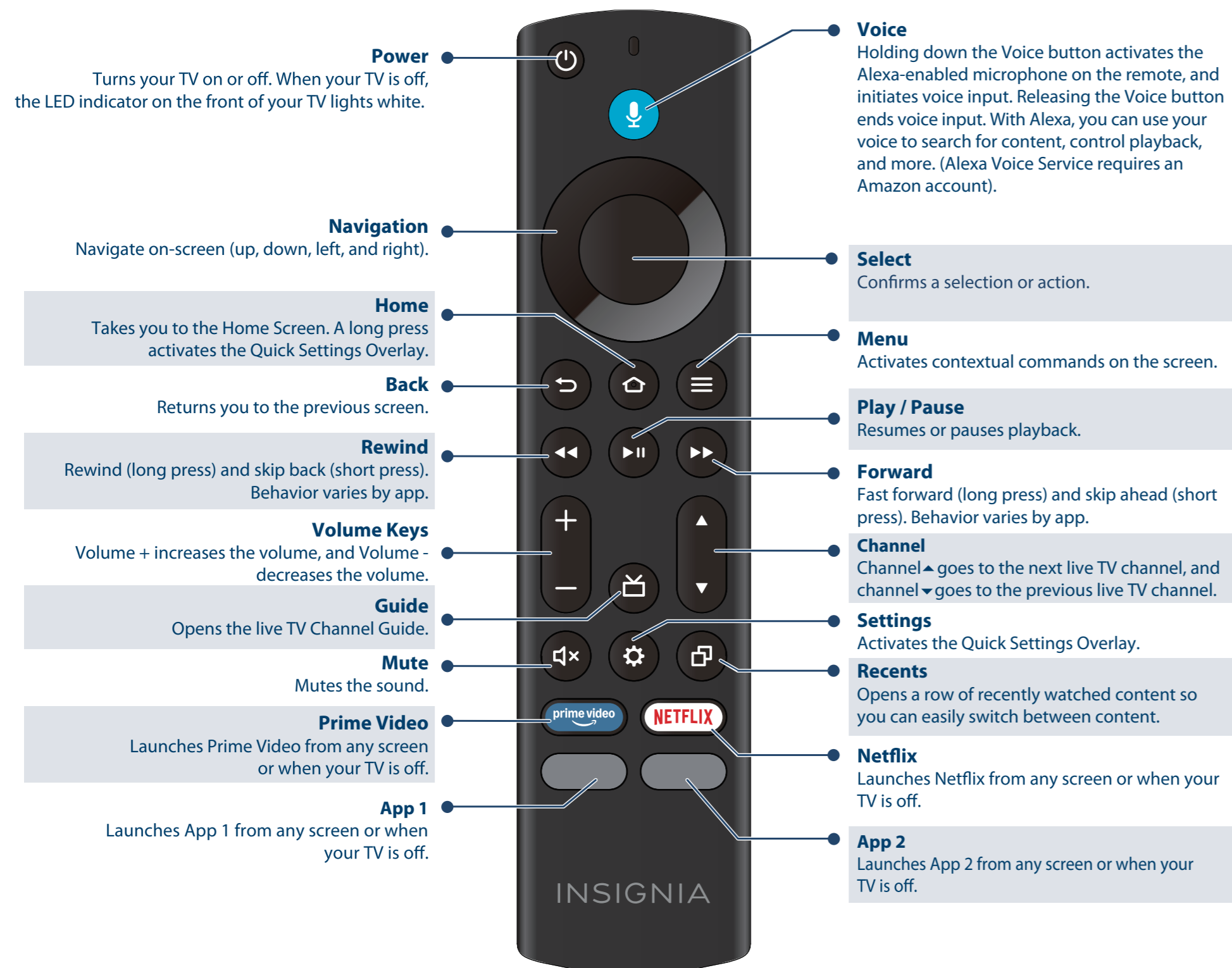
4 If you connected your TV to an antenna or cable wall jack:

A Go to **Settings > Live TV > Channel Scan**.

B Follow the on-screen instructions to scan for channels.

Note: To browse and watch live TV, use the **On Now** row or press  on your remote.

USING YOUR VOICE REMOTE WITH ALEXA



FIND YOUR USER GUIDE ONLINE

- 1 Go to www.insigniaproducts.com.
- 2 Use the search bar to find **NS85-UQFL27**.
- 3 Select **Support & Downloads**.
- 4 Next to *User Guide*, select the language you want.

INSIGNIA™

fire tv

A Smarter TV Is Here
4K Picture Quality, Fire TV Experience Built-in,
Voice Remote with Alexa



Access Your Favorite Content – All Through One Home Screen

Fire TV seamlessly integrates live over-the-air TV and streaming channels on a unified home screen.



Endless Entertainment – Netflix, Prime Video, YouTube, Hulu, HBO Max, and more

Stream over 1.8 million movies and TV episodes. Watch favorites with subscriptions to Netflix, Prime Video, Disney+, and more. Subscription fees may apply.



Voice Remote with Alexa

Just press and ask to easily find, launch, and control movies and TV shows.

Full Experience required to access all features described.

ONE-YEAR LIMITED WARRANTY

Visit www.insigniaproducts.com for details.

NEED ADDITIONAL HELP?

Check out our **Support Community** at <http://community.insigniaproducts.com/> for helpful information from other Insignia TV owners.

WE'RE HERE FOR YOU

www.insigniaproducts.com

For customer service, call: **1-877-467-4289** (U.S./Canada)

CONTACT AMAZON FIRE TV CUSTOMER SERVICE

www.amazon.com/deviceservices/support

Press & ask | alexa | dts x

Manufactured under license from DTS, Inc. and/or its affiliates. For patents, see <https://xperi.com/dts-patents/>. DTS, the DTS logo, DTS:X, the DTS:X logo, Virtual:X, and the DTS Virtual:X logo are trademarks or registered trademarks of DTS, Inc. and/or its affiliates in the U.S. and/or other countries. © DTS, Inc. and/or its affiliates. All rights reserved.

AMAZON TERMS & POLICIES

Before using Fire TV Edition, please read the terms located at www.amazon.com/deviceservices/support. Please also read all terms and policies for services related to Fire TV Edition, including but not limited to Amazon's Privacy Notice located at www.amazon.com/privacy, Amazon's Conditions of Use located at www.amazon.com/conditionsofuse, and any other terms or usage provisions available at www.amazon.com/deviceservices/support.

All terms, rules, notices, policies, and provisions are, collectively, the "Agreements." By using Fire TV Edition, you agree to be bound by the terms of the Agreements.

Amazon, Fire, and all related marks are trademarks of Amazon.com, Inc. or its affiliates. Certain services are subject to change at any time, may not be available in all areas and languages, or in 4K UHD, and may require separate subscriptions or withdrawal.

Dolby
VISION · ATMOS

Dolby, Dolby Vision, Dolby Atmos, and the double-D symbol are registered trademarks of Dolby Laboratories Licensing Corporation. Manufactured under license from Dolby Laboratories. Confidential unpublished works. Copyright © 2012-2024 Dolby Laboratories. All rights reserved.

HDMI
HIGH-DEFINITION MULTIMEDIA INTERFACE

The terms HDMI, HDMI High-Definition Multimedia Interface, HDMI Trade Dress and the HDMI Logos are trademarks or registered trademarks of HDMI Licensing Administrator, Inc.

U.S. and Canada:

INSIGNIA is a trademark of Best Buy and its affiliated companies.

Registered in some countries.

Distributed by Best Buy Purchasing, LLC

7601 Penn Ave South, Richfield, MN 55423 U.S.A.

©2025 Best Buy. All rights reserved.

J0104-001208