

RONI DESK

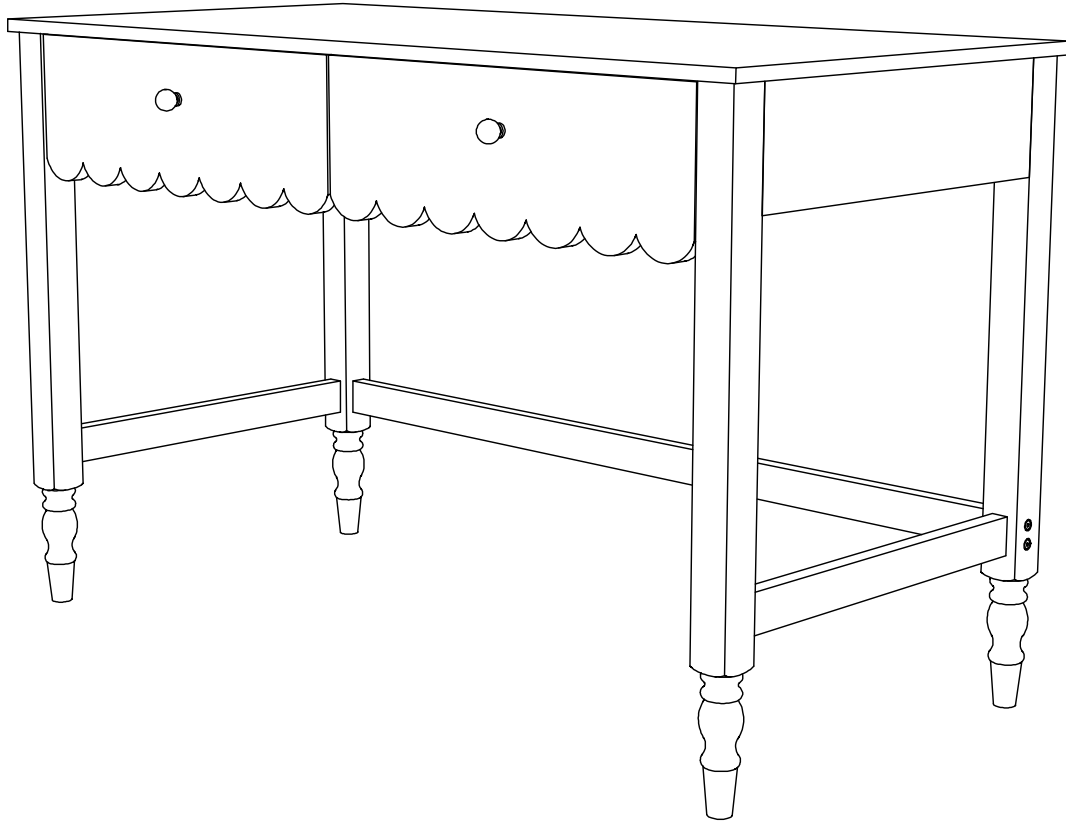
ASSEMBLY TIPS

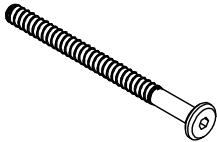
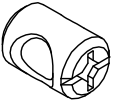
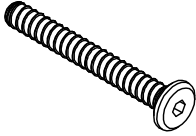
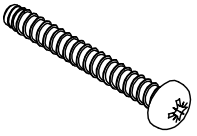

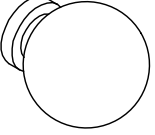
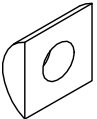
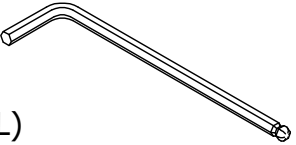

1. Remove hardware from box and sort by size.
2. Please ensure that all hardware and parts are presented prior start of assembly.
3. Please follow attached instruction in the same sequence as numbered to assure fast and easy assembly.



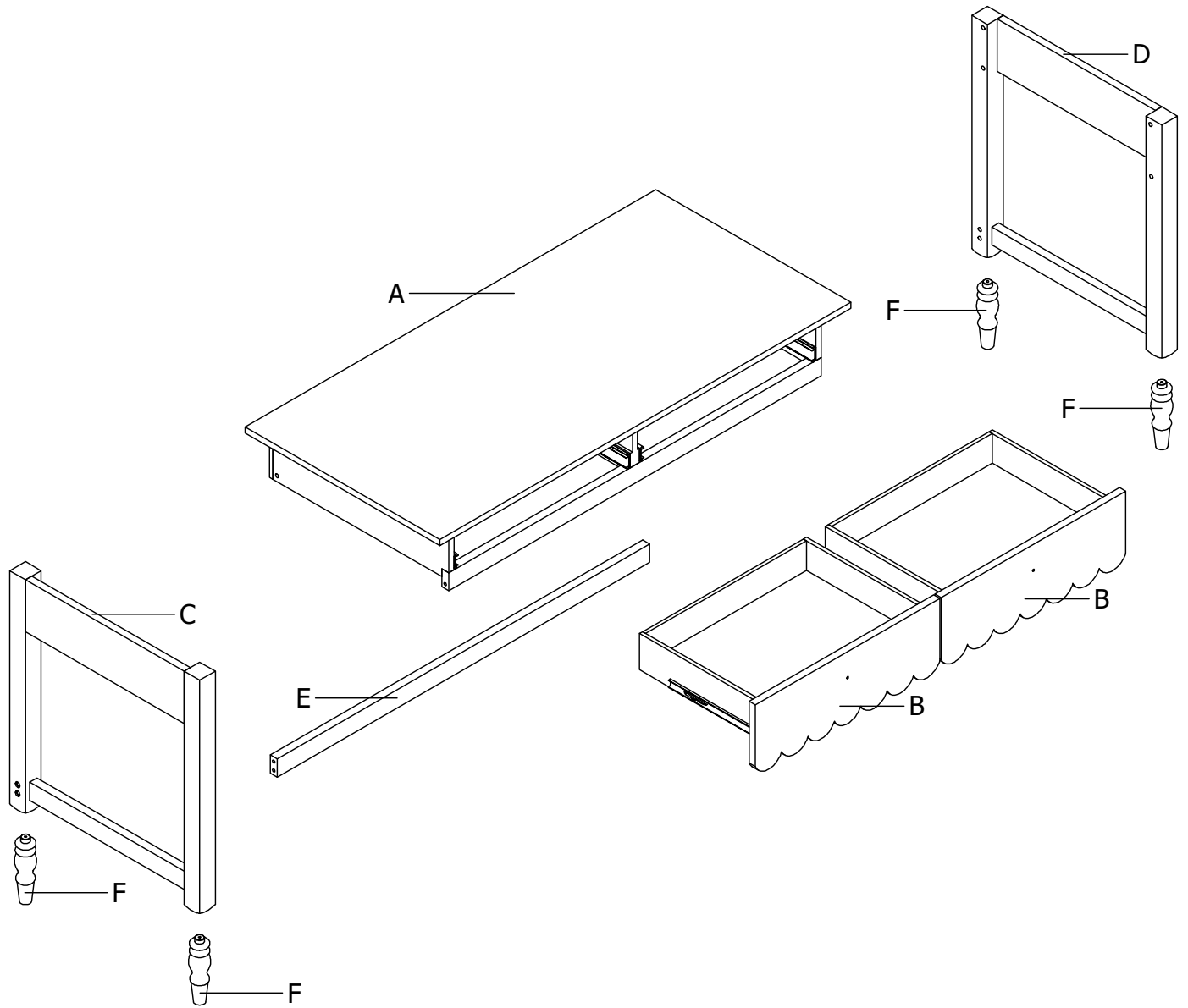
WARNING !

1. Don't attempt to repair or modify part that are broken or defective. Please contact with the store immediately.
2. This product is for home use only and not intended for commercial establishment.



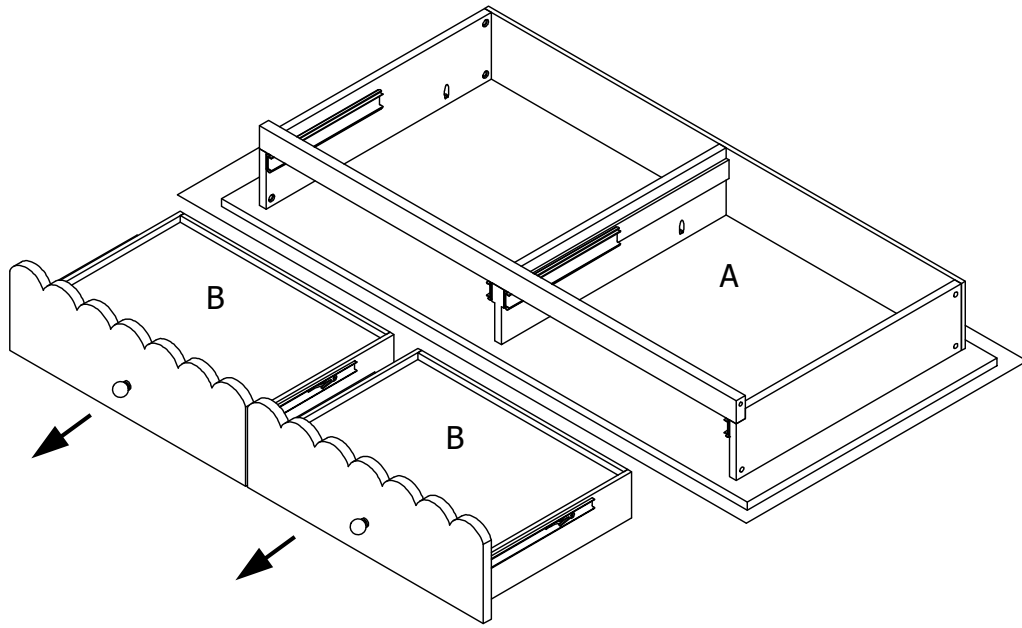
NO	HARDWARE LIST	QTY	NO	HARDWARE LIST	QTY
1	JCBC M6 x 80mm 	4 PCS	6	BARREL NUT 	4 PCS
2	JCBC M6 x 50mm 	2 PCS	7	THMS M4 x 35mm 	2 PCS
3	JCBC M6 x 30mm 	6 PCS	8	HANDLE(GOLD) 	2 PCS
4	NYLON WASHER 	2 PCS	9	ALLEN KEY M4(BALL) 	1 PCS
5	SPRING WASHER 	2 PCS			

PART LIST

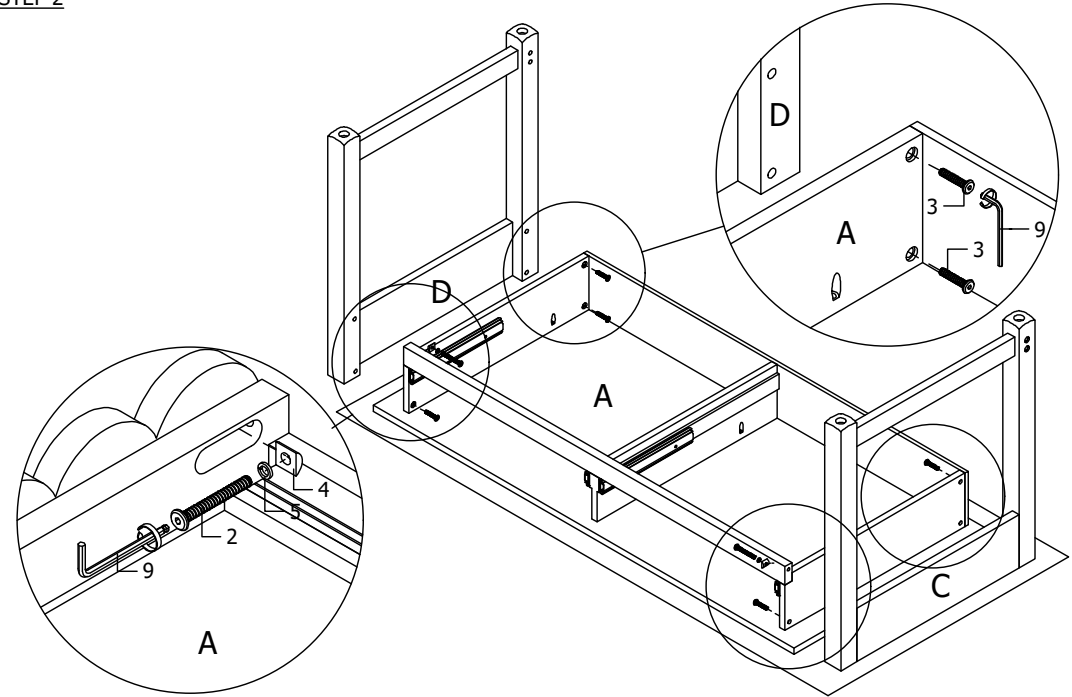


ASSEMBLY INSTRUCTION

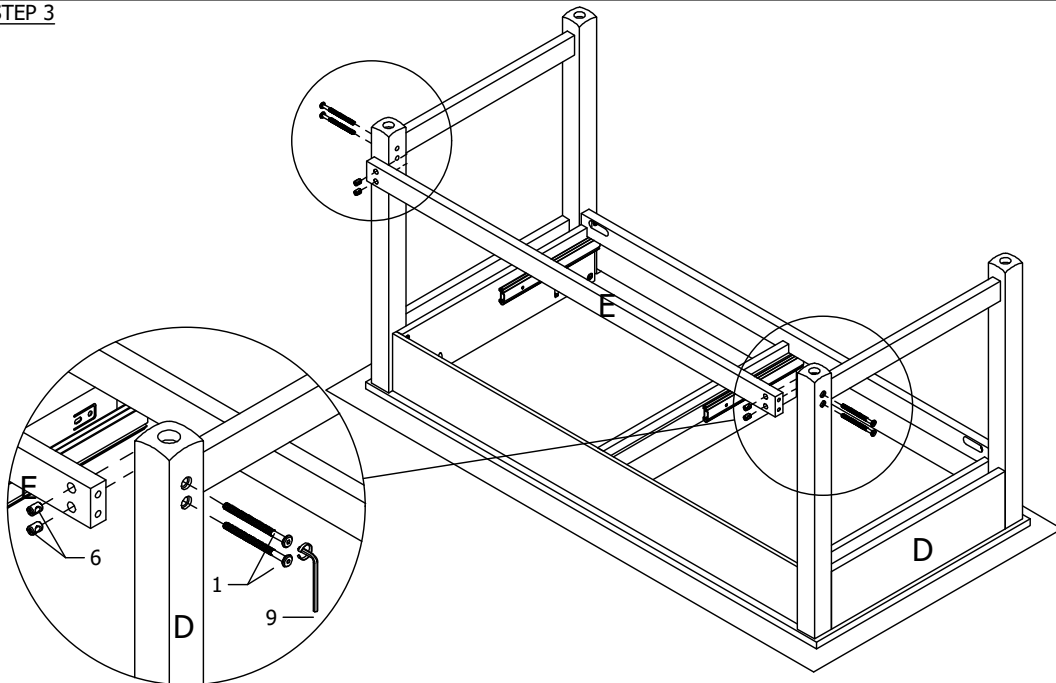
STEP 1



STEP 2



STEP 3



STEP 4 (ASSEMBLY COMPLETE)

