



# 1.9 cu. ft. Smart Over-the-Range Microwave

WMH78019H



Fingerprint Resistant Stainless Steel  
WMH78019HZ

### Also available in:

- White **WMH78019HW**
- Black **WMH78019HB**
- Black Stainless Steel **WMH78019HV**

### Capacity

Total	1.9 cu. ft.
-------	-------------

### General Features & Properties

Tap Touch Controls with Backlit Menu

4-speed, 400 CFM Motor Class

Fingerprint Resistant

Multi-Step Cooking

Scan-To-Connect Technology

Guided Service

Maintenance Alerts

Remote Start

Control Lock Mode

### Electrical Details

Amps	16
------	----

Volts	120
-------	-----

### Certifications

Connected/Smart Appliance	Yes
---------------------------	-----

Star-K Certified/Kosher	Yes
-------------------------	-----

### Technical Details

Microwave Type	Over-the-Range
----------------	----------------

CFMs	400
------	-----

Lighting Type	Incandescent
---------------	--------------

Number of Speeds	4
------------------	---

Venting Type	Updraft
--------------	---------

### Dimensions

Product Dimensions (H x W x D)	17-1/8" x 29-15/16" x 16"
--------------------------------	---------------------------

Depth with Door Open 90°	44-5/16"
--------------------------	----------

Cutout Dimensions (W x D)	30" x 12" minimum
---------------------------	-------------------

Cutout Dimensions (W x D)	30" x 12" minimum
---------------------------	-------------------

### Reference Material

[Dimension Guide](#)

[Install Guide](#)

[Use & Care Guide](#)

[Warranty](#)

### Key Features & Benefits

#### Smart Appliance

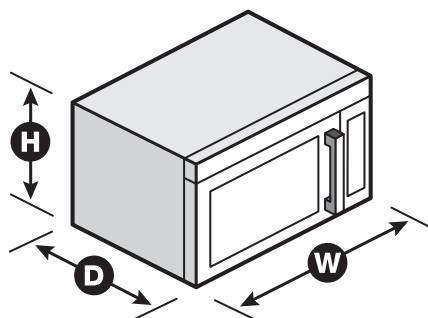
Care smarter with connected features that let you send cooking instructions to the microwave from your smartphone, control your kitchen with voice commands using a compatible voice-enabled device or easily keep up with service and maintenance.\*

#### Scan-to-Cook Technology

Get the right settings every time. Scan a frozen food barcode with your smartphone or tablet and send recommended or customized cooking instructions straight to your microwave for dinner done the way your family wants it.\*\*

#### Voice control with a compatible voice-enabled device

Control your kitchen no matter what you've got on your hands with simple voice commands using the Google Assistant or an Alexa-enabled device.



\*Appliance must be set to remote enable. \*\*Not all frozen foods included. WiFi & App Required. Features subject to change. Details and privacy info at whirlpool.com/connect. NOTE: Dimensions are for planning purposes only. For complete details, see Installation Instructions packed with product. Specifications subject to change without notice.