

Café™ Professional Series 30" Built-In Double Electric Convection Wall Oven

C A F É

CTD70DP2ZS1



FEATURES & BENEFITS

The perfect bake is now perfectly easy – Achieve unrivaled performance with the only system that delivers top-down true convection for consistent results on special occasion favorites like roasts, chicken, turkey and more

Precision is the name of your cooking game – Confidently try new recipes and perfectly execute your favorites, using a smart system that is powered by algorithms that track the food's progress and dynamically adjusts time and temperature by precisely managing heat and airflow

Fried taste. Crisp texture. Less oil. – Make your favorite "fried" foods healthy, thanks to Air Fry Mode that crisps without using oil for frying

No preheat, no hassle – Save time with a variety of precision cooking modes that eliminate the need for preheating

Brighten up life in the kitchen – Easily navigate wall oven settings using a stunning full-color display that adds an unexpected touch of style to your kitchen

Enjoy convenient temperature control from anywhere – Preheat while running errands or change oven temperatures while doing yard work with the SmarthQ™ App

Say goodbye to guesswork with integrated tools that let you set and label unlimited timers

Say hello to cooking in style with built-in premium Bluetooth speakers. Easily connect your smartphone to stream your favorite music or podcasts, turning every meal into a more enjoyable, immersive experience

Get a custom look in the kitchen by selecting your favorite hardware and finish combination. Choose from Matte White, Matte Black and Stainless Steel finishes, and Brushed Copper, Brushed Bronze, Brushed Black and Brushed Stainless hardware

APPEARANCE

Color Appearance	Stainless Steel
Oven Door Features	Big View Oven Window
Handle	Café Pro Style Brushed Stainless Customizable
Installation	Above Warming Drawer Side-by-Side

FEATURES

Configuration	Double Oven
Cooking System	True European Convection with Direct Air (Upper) True European Convection (Lower)
Oven Cleaning Type	Self-Clean with Steam Clean Option
Cleaning Time	Variable with Delay Clean Option
Oven Cooking Modes	Convection Bake Convection Bake Multi-Rack Convection Broil Hi/Lo Convection Roast Thermal Bake Thermal Broil Hi/Lo Keep Warm Proof
Precision Cooking Modes	Artisan Pizza Mode Turkey Mode Steak Mode And More ...
Control Type	7" Full Color LCD Screen
Oven Rack Features	2 Heavy Duty Roller Racks 2 Heavy Duty Flat Racks 6 Embossed Rack Positions per oven
Oven Control Features	12-Hour Shut-off Capability C° or F° Programmable Control Lock Capability Delay Time Multiple Timers OU Sabbath Mode Premium Speaker Remote Enabled Temperature Probe
Connected Capabilities	WiFi Recipes Cooking instruction Grocery list/shop Streaming Audio Personalized Wallpaper Weather
Oven Interior	2 Halogen Interior Oven Lights (Both Ovens) Black Gloss Finish Hidden Bake

CAPACITY

Capacity (Cu. Ft.)	5.0 Upper / 5.0 Lower
Total Capacity (Cubic Feet)	10.0 cu ft

POWER / RATINGS

Amp Rating at 208V	40
Amp Rating at 240V	40
Bake Wattage	2850W
Broiler Wattage	4300W Dual Element
Convection Wattage	2400W
KW Rating at 208V	6.8
KW Rating at 240V	9

WEIGHTS & DIMENSIONS

Approximate Shipping Weight	278 lb
Net Weight	260 lb
Overall Height	53 in
Overall Width	29-3/4 in
Overall Depth	26-3/4 in
Cabinet Width	30 in
Cutout Dimensions (w x h x d) (in.)	28-1/2 x 51-13/16 x 23-1/2
Oven Interior Dimensions (lower)	25 x 17-3/8 x 20-1/4
Oven Interior Dimensions (upper)	25 x 17-3/8 x 20-1/4

Café™ Professional Series 30" Built-In Double Electric Convection Wall Oven



CTD70DP2ZS1

OPTIONAL ACCESSORIES

30" Never Scrub Roller Rack	UXWORXR30
Large Broiler Pan	WB48X10056
60" Replacement Electrical Conduit	WB18T10574
72" Replacement Electrical Conduit	WB18T10580

WARRANTY

Parts Warranty	Limited 1-Year Entire Appliance
Labor Warranty	Limited 1-Year Entire Appliance
Warranty Notes	See Written Warranty For Full Details

DIMENSIONS AND INSTALLATION INFORMATION

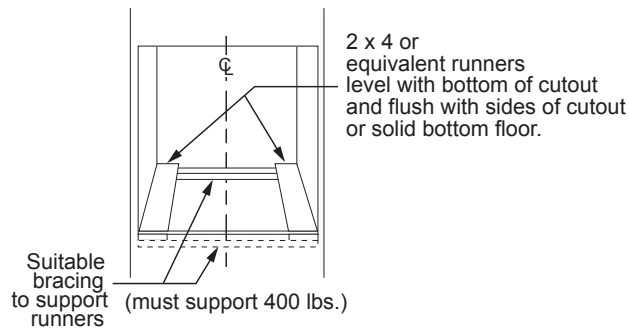
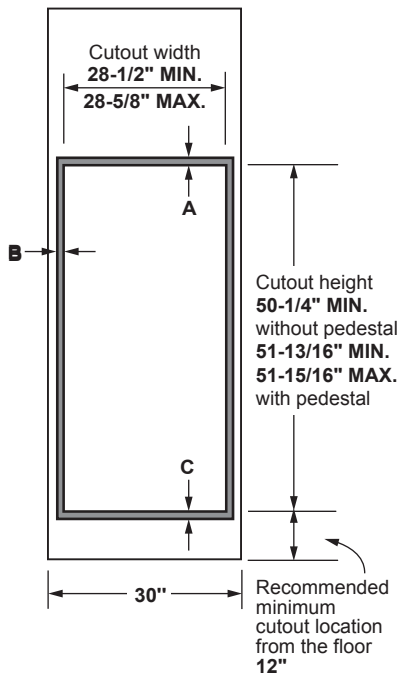
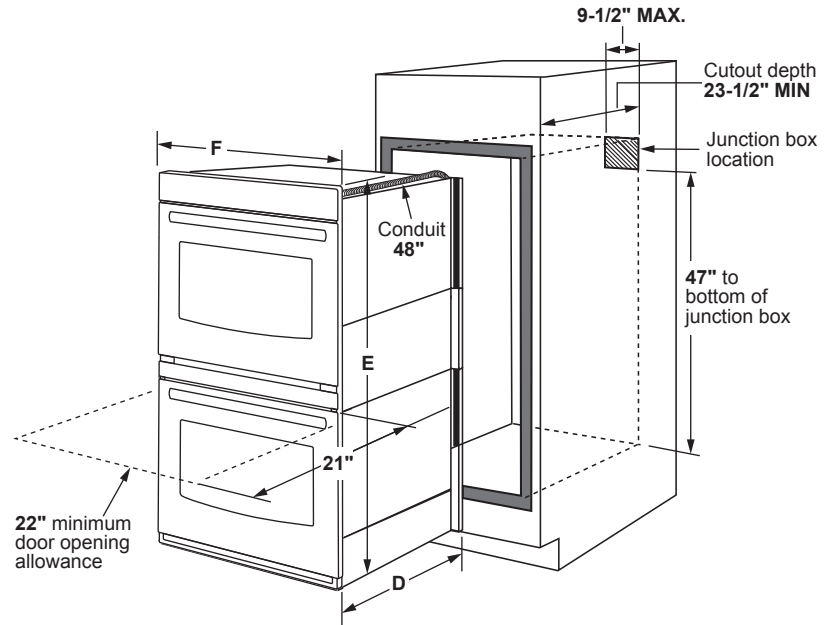
Wall coverings, countertops and cabinets surrounding the wall oven must be able to withstand a temperature of up to 200°F (94°C).

If the cabinet in which the wall oven is installed does not have a solid bottom, two braces or runners must be installed to support the weight of the oven. The runners and braces must support up to 400 lbs (181 kg).

Door handle protrudes 3" from door face. Cabinets and drawers on adjacent 45° and 90° walls should be placed to avoid interference with the handle.

ATTENTION INSTALLER: Electric wall ovens are NOT approved for installation with a plug and receptacle. They must be hard wired into an approved junction box.

IMPORTANT: Before installing, consult installation instructions packed with product for current dimensional data.



Cabinet	30"
A - Overlap of oven at top of cutout	1"
B - Overlap of oven other side of edge of cutout	3/4"
C - Overlap of oven at bottom of cutout	1-1/4"
Oven	
D - Install depth	23-1/2"
E - Overall height with trim	53"
F - Overall width	29-3/4"

Dimension and installation information are shown in inches.

Café™ Professional Series 30" Built-In Double Electric Convection Wall Oven



CTD70DP2ZS1

DIMENSIONS AND INSTALLATION INFORMATION

30" double electric wall ovens are approved for installation above 27" and 30" warming drawers.

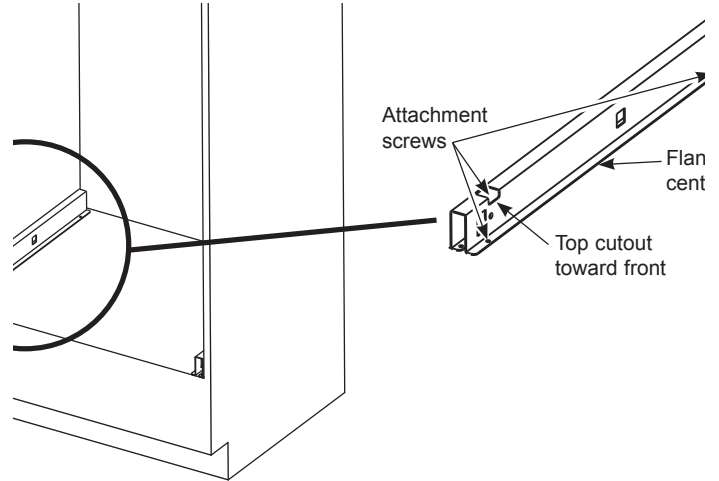
WHEN TO USE THE PEDESTAL RAILS: When replacing an older GE Appliances 30" double wall oven with a new GE Appliances model. Cutout height = 51-13/16" to 51-15/16". This is our traditional cutout height.

WHEN NOT TO USE THE PEDESTAL RAILS: When replacing a 30" double wall oven from another manufacturer (i.e., Whirlpool) with a new GE Appliances model. Cutout height = 50-1/4". You will need to verify that the existing cutout matches the 50-1/4" dimension.

If the new GE Appliances 30" double wall oven is being installed into new construction (i.e., not a replacement), then the recommended installation is to use the pedestal rails.

ATTENTION INSTALLER: Electric wall ovens are NOT approved for installation with a plug and receptacle. They must be hard wired into an approved junction box.

IMPORTANT: Before installing, consult installation instructions packed with ALL products for current dimensional and combination data.



ADDITIONAL ACCESSORIES



CXWD0H0PMBZ
Brushed Bronze
2 handles



CXWD0H0PMSS
Brushed Stainless
2 handles



CXWD0H0PMBT
Brushed Black
2 handles



CXWD0H0PMCU
Brushed Copper
2 handles



CXWD0H0PMCG
Brushed Brass
2 handles



CXWD0H0PMFB
Flat Black
2 handles

Dimension and installation information are shown in inches.