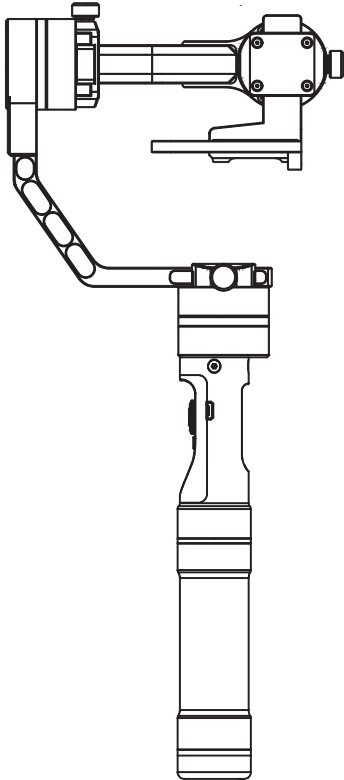


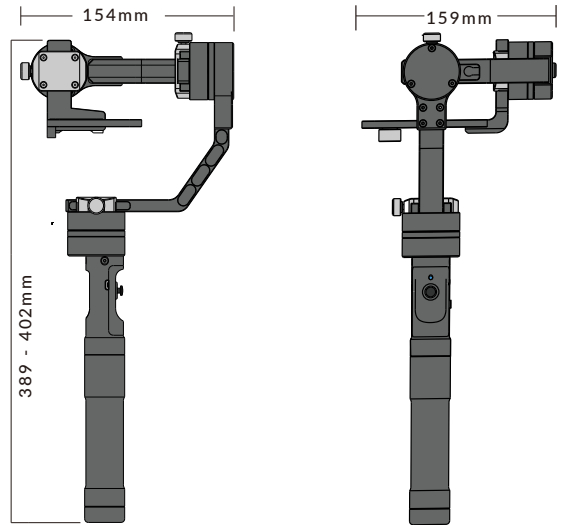
EVO RAGE



Shipping Details

UPC (GS1)	852709005509
HST CODE	8525.80.10
Product Dimensions (mm)	173 x 188 x 405 (W x D x H)
Product Weight (grams)	750g
Product Packaging Size (mm)	355 x 310 x 103 (L x W x H)
Product Package Weight (grams)	2600g
Cartion Size (mm)	580 x 415 x 370 (L x W x H)
Carton Quantity	5 Units
Carton Weight (Kg)	14kg / Carton

Technical Specs



Dimensions:	Length: 154mm Width: 159mm Height: 389-402mm
Operating Current:	80mA-6000mA
Operating Temperature:	5F°-115F° (0C°-45C°)
Run-Time:	6h-12h
Gimbal Weight:	950g (no batteries)
Camera Payload:	350g-1200g
Tilt, Roll, Pan Axis Range:	360° (unlimited rotation)
Battery:	Lithium Ion
Battery Type:	18650 or 26650
Battery Voltage:	3.7V
Charger Current:	800mAh
Charger Input Voltage:	5V USB

Lithium Battery Information

Battery Model	IMR-26500
Size	26mm x 66.4mm (Dia. X L)
Total Number of Batteries	2
HAZMAT UN#	UN3481
# of Batteries in Product	2
# of Batteries Outside of Product	0
Number of Cells	1
Lithium Content (grams)	1.08g
Watt Hours (Wh) per Battery	13.3Wh

