

en-us Use and Care Manual, Installation Instructions

Washer
WAW285H1UC



Welcome to Your New Washer!

Congratulations on your selection of a new Bosch washer for your laundry needs. We are confident you will enjoy the superior performance and reliability.

Please do not hesitate to contact our Customer Service department if you have any questions or comments with your new washer.

Thank you for choosing Bosch.

Visit our website at www.bosch-home.com/us (USA) or www.bosch-home.ca (CANADA) for more information and to view a selection of our products.

Table of contents

Important information	5	Resetting your network settings	29
Purchase information	5	Updating the software	29
Customer Service	5	Information on data protection	29
Your washing machine is intended for	6	Declaration of Conformity	29
Safety Definitions	6	Wi-Fi® Module FCC/IC Statements	29
IMPORTANT SAFETY INSTRUCTIONS	7	Laundry	30
Introduction to your new washer	9	Preparing the laundry	30
Standard features and helpful information	9	Sorting the laundry	30
Special features	9	Identifying and treating stains	31
Environmentally friendly use of your washer	9	Laundry detergents and additives	32
Dimensions and clearances required	10	Adding the correct amount of HE detergent	32
Appliance dimensions	10	Program selection table	33
Length of power cord and water supply hoses	10	Starching	34
Installation types	10	Dyeing/bleaching	34
INSTALLATION INSTRUCTIONS	12	Soaking	34
Introduction	12	Optional program settings	35
Tools needed	12	EcoPerfect™	35
Waste disposal	12	Prewash	35
Parts provided with your washer	13	Rinse Plus	35
Set up on a pedestal with drawer	13	Remote Start	35
Installation checklist	14	Finish in	35
Importance of installing on a solid, level floor	14	Spin Speed	35
Remove the transport bolts	14	Temperature	35
Water connections	15	SpeedPerfect®	35
Leveling the washer	17	Stains	35
Electrical connection	18	Appliance settings	36
Transporting the washer	18	Child lock 3 sec.	36
Getting to know your appliance	20	Activating setting mode	36
Control panel	20	Exiting setting mode	36
Display area	21	Cleaning and maintenance	37
OPERATING INSTRUCTIONS	23	Cleaning the washer´s exterior	37
Before using the washer for the first time	23	Cleaning the drum	37
Before loading your first load of laundry	23	Descaling the washer	37
Using program selector to choose a wash program ..	23	Cleaning the detergent dispenser tray	37
Selecting optional program settings	23	Cleaning the water inlet strainers	37
Loading the laundry	23	Cleaning the drain pump	38
Filling the detergent and additives compartments	24	Troubleshooting	40
Starting the program	25	Emergency door lock release	40
Selecting a different program	25	General Troubleshooting	40
Pausing/Adding a garment to the cycle	25	Information on the display area	43
Cancel program	25	STATEMENT OF LIMITED PRODUCT WARRANTY ..	44
Program end	25	Bosch Clothes Washer	44
Removing laundry/switching the appliance off	26		
Home Connect®	27		
Calling up the Home Connect menu	27		
Connecting your home network to the			
Home Connect app	27		
Activating/deactivating Wi-Fi	28		

Additional information on products, accessories, replacement parts and services can be found at **www.bosch-home.com/us (USA) or www.bosch-home.ca (Canada)** and in the online shop **www.bosch-home.com/us/store**

Questions?
1-800-944-2904

www.bosch-home.com/us (USA)
or
www.bosch-home.ca (Canada)

1901 Main Street, Suite 600
Irvine, CA 92614

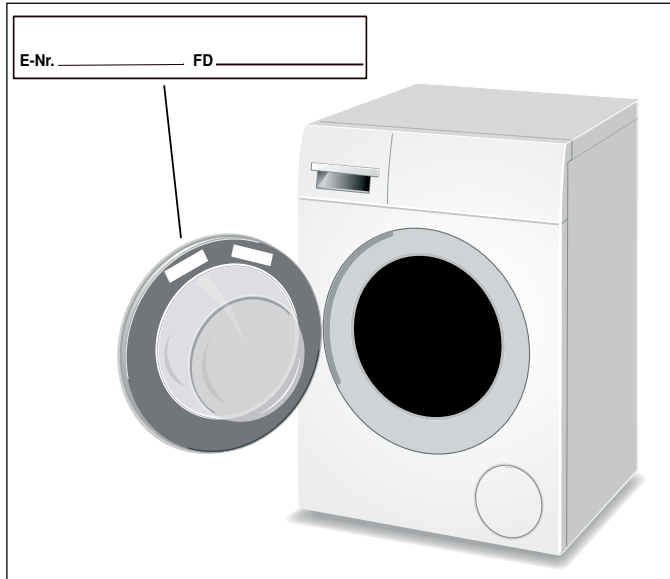
We look forward to hearing from you!

Important information

Purchase information

Please take a moment to record the following basic information about your new Bosch washer.

This information will be helpful in the event you need to contact Customer Service or would like to order accessories or replacement parts.



The **E-Nr.** (model number) and the **FD** (serial) number can be found on the rating plate label or in the Home Connect application under Appliance Information.

see illustration

The model number includes the slash and a two digit number (e.g. "/27"). Please be sure to include the final 2 digit number when filling in your model number. This helps make sure any parts you may need are correctly matched to your specific machine.

Date of Purchase: ___/___/___

Where Purchased: _____

E-Nr. : _____/____ (ex: WAW28xxxUC/01)

FD : _____-_____ (ex: 9709|90007)

The manufacturer reserves the right to make changes in the product or manual without notification.

Customer Service

Your washer does not require any special care other than the maintenance and care mentioned in this manual. If you have a problem with your washer, please consult.

→ *Troubleshooting; Page 40*

If problems persist and service becomes necessary, contact your dealer, installer or an authorized service provider. Do not attempt to repair the appliance yourself.

Bosch Customer Service
1-800-944-2904

Or by mail
BSH Home Appliances Corporation
1901 Main Street, Suite 600
Irvine, CA 92614

When writing or calling please have the following information available:

- E-Nr. (model number, example: WAW28xxxUC/01)
- FD (serial number, example: 9709|90007)
- Date of Original Purchase (receipt may be required)
- Date Problem Occurred
- Explanation of Problem

If writing, please also include a daytime telephone number and a copy of the sales invoice.

When calling Customer Service, please be ready to provide the model number **E-Nr.** and **FD** serial number. This information will help provide the best support for your washer.

Additional information is available at our website.
www.bosch-home.com/us (USA) or www.bosch-home.com/ca (Canada)

Your washing machine is intended for

- Only household use and in a non-commercial environment.
 - Use with machine washable textiles only.
 - Washing with common cold and hot (maximum 140 °F/60 °C) tap water and commercially available detergents and cleaning products suitable for use in washing machines.
 - **We recommend HE (High Efficiency) detergents because they are designed to deliver optimum performance from your front-loading washer. Not using HE detergent could cause problems such as oversudsing, extended cycle periods, or a decrease in wash performance.**
- NOTICE: Do not use chlorine bleach! → OPERATING INSTRUCTIONS; Page 23**
- When measuring all detergents/stain removers/laundry care products be sure to follow the manufacturer's instructions.
 - Operating conditions:
Min/Max allowable temperatures: 41-95 °F/5-35 °C
Relative humidity: under 95%
 - Installation by qualified installers.
 - Installation in accordance with all regulatory requirements; if in doubt have the appliance installed by a specialist familiar with these requirements.
- Before using the appliance, read the use and installation instructions and all other information included with the appliance and act accordingly.
Keep all documents for future use.

Safety Definitions

Important safety information is contained in this manual and on the warning labels located on your washer. Standard symbols and headings are used to identify areas where you should take precautions to avoid injury or property damage. Please take a moment to become familiar with each of these symbols and what they mean before proceeding.

WARNING

This indicates that death or serious injuries may occur as a result of non-observance of this warning.

CAUTION

This indicates that minor or moderate injuries may occur as a result of non-observance of this warning.

NOTICE: This indicates that damage to the appliance or property may occur as a result of non-observance of this warning.

Tip: This symbol is used to draw the user's attention to important matters.

IMPORTANT SAFETY INSTRUCTIONS

READ AND SAVE THESE INSTRUCTIONS

WARNING

When properly cared for, your new appliance has been designed to be safe and reliable. Read all instructions carefully before use. These precautions will reduce the risk of burns, electric shock, fire, and injury to persons. When using appliances, basic safety precautions must be followed, including those in the following pages.

Examine the appliance after unpacking it. In the event of transport damage, do not plug it in.

WARNING

TO REDUCE THE RISK OF FIRE, ELECTRIC SHOCK, SERIOUS INJURY OR DEATH WHEN USING YOUR WASHING MACHINE, FOLLOW BASIC PRECAUTIONS INCLUDING THE FOLLOWING

- Bosch washers are provided with a Use and Care Manual with Installation Instructions. Read and understand all instructions before using the washing machine.
- Do not wash articles that have been previously cleaned, washed, soaked, or spotted with gasoline, dry cleaning solvents, other flammable or explosive substances as they give off vapors that could ignite or explode.
- Do not add gasoline, dry cleaning solvents, or other flammable or explosive substances to the wash water. These substances give off vapors that could ignite or explode.
- Under certain conditions hydrogen gas may be produced in a hot water system that has not been used for 2 weeks or more. **HYDROGEN GAS IS EXPLOSIVE.** If the hot water system has not been used for this length of time, turn on all hot water faucets and let the water flow out of each faucet for several minutes before using the washing machine. This will release any accumulated hydrogen gas. As the gas is flammable, do not smoke or use an open flame while carrying out this procedure.
- Before the appliance is removed from service or discarded, remove the door to prevent children from playing or hiding inside. Also remove the power cord/plug.
- Do not allow anyone to climb, lean or hang on any part of the washer including any protruding components such as the appliance door or a pullout shelf.
- Use caution when draining hot water from the washer drum such as during pump maintenance or when using the emergency door open procedure.
- Do not reach into the appliance if the wash drum is moving.
- Do not tamper with the controls.
- Do not repair or replace any part of the appliance or attempt any service unless specifically recommended in these user maintenance instructions.

- Do not use replacement parts that have not been recommended by the manufacturer (e.g. parts made by using a 3D printer)
- Always unplug the washing machine from the power supply before attempting any service. Disconnect the power cord by grasping the plug, not the cord.
- Do not machine wash fiberglass materials (such as curtains and window coverings that use fiberglass materials). Small particles may remain in the washing machine and stick to fabrics in subsequent wash loads causing skin irritation.
- Always read and follow the instructions of the manufacturer of the detergents and cleaning aids, fabric softeners and static eliminators that you are using. Heed all warning and precaution.
- Do not install or store the washer where it will be exposed to the weather. Hoses and internal parts may be damaged if exposed to freezing temperatures.
- Do not use the washing machine if it has a worn power cord or loose plug.
- The washing machine must only be used for its intended purpose.
- Always follow the fabric care instructions recommended by the clothing manufacturer.
- Check the fill hose connections on a regular basis to ensure that they are tight and not leaking.
- Make sure all water connections to the washing machine have shut-off valves that are readily accessible during normal operation of the washer. Turn off both valves during periods in which the washer is not in use and before leaving for extended periods such as vacations to reduce the risk of water damage in the event of a leak. Turn the valves back on prior to resuming use of the washer.
- Do not operate the washing machine if parts are missing or broken.
- Do not operate the washing machine until you are sure that:
 - the washing machine has been installed according to the Installation Instructions.
 - all water, drain, power and grounding connections are in compliance with all local regulations and/or other applicable regulations and requirements.
- Certain internal parts are intentionally not grounded and may present a risk of electric shock during servicing. Service Personnel – **DO NOT CONTACT** the following parts while the appliance is energized: inlet valves, drain pump, heat sink of the motor controller, PCBs.
- See the installation instructions in this manual for grounding requirements.

IMPORTANT SAFETY INSTRUCTIONS

READ AND SAVE THESE INSTRUCTIONS

- The IMPORTANT SAFEGUARDS and WARNINGS presented in this manual do not cover all possible conditions that may occur. Common sense, caution and care must be exercised when installing, maintaining or operating the washer.
 - Always contact your dealer, distributor, service provider or the manufacturer about any problems or conditions that you do not understand.
 - Follow the Safety Information in the INSTALLATION INSTRUCTIONS and the OPERATING INSTRUCTIONS.
-

WARNING

WARNINGS FOR CHILDREN AND PETS

- Do not allow children and pets to play on or in the appliance.
 - Close supervision of children is necessary when the appliance is used near children.
 - Make sure to utilize all child lock/safety features of your appliance, and be sure to turn the appliance **Off** when not in use.
 - Appliances are not intended for use by children, however when children become old enough to operate the appliance, it is the responsibility of the parents or legal guardians to ensure they are instructed in safe practices by qualified persons.
 - Keep all laundry aids (including detergents, bleach, fabric softener, etc.) out of the reach of children.
 - To reduce the risk of poisoning or chemical burns, keep all cleaning products out of the reach of children.
 - Keep pets away from the appliance.
-

WARNING

PROPOSITION 65 WARNING

This product may contain a chemical known to the State of California, which can cause cancer or reproductive harm. Therefore, the packaging of your product may bear the following label as required by California:

STATE OF CALIFORNIA PROPOSITION 65 WARNING:



Cancer and Reproductive Harm - www.P65Warnings.ca.gov

SAVE THESE INSTRUCTIONS!

Keep these instructions for future reference and in case of change of ownership, manual should be conveyed with the washer.

Introduction to your new washer

▲ WARNING

RISK OF FIRE, ELECTRIC SHOCK OR INJURY

To reduce the risk of fire, electric shock or injury to persons, read the IMPORTANT SAFETY INSTRUCTIONS of this manual before installing or operating this appliance.

→ *IMPORTANT SAFETY INSTRUCTIONS; Page 7*

Standard features and helpful information

Thank you for choosing Bosch for your laundry appliance needs.

Please read and follow the use and care, important safety instructions and troubleshooting information contained in this manual. Please retain this manual for future reference.

Standard features

- ENERGY STAR® certified to save energy, save money and protect the environment.
- 17.6 lb (8 kg) large drum capacity (for regular cotton loads).
- Low washing and spinning noise levels.
- Large door opening featuring 180° opening angle.

Quality tested

Every Bosch washer is thoroughly tested before leaving the factory. As a result, a small amount of residual water may remain in the washer drum. We recommend running the **Drum Clean** cycle to remove this water prior to washing your first load of laundry.

→ *Before loading your first load of laundry; Page 23*

Website

Visit our website at www.bosch-home.com/us (USA) or www.bosch-home.com/ca (Canada) for more information and to view a selection of our products.

About this manual

These operating and installation instructions may apply to more than one model of washer. Illustrations used may show details that differ from your particular model.

Read your user manual. It contains valuable information about the safety, installation and operation of your new appliance.

This can save you time, make it easier to correctly install and use your washer, and improve your overall satisfaction with your new appliance.

Special features

- Load adjust matches the water and power consumption to each program according to the amount of laundry sensed in the drum and the type of fabric.
The load adjust function runs automatically to keep energy and water consumption as low as possible. The water level sensor ensures the water level is correct for the laundry and the program selected.
- The automatic unbalanced load detection system spins the laundry several times to ensure even distribution.
If the laundry is not evenly distributed, the spin speed is reduced, or the laundry may not be spun for reasons of safety.
In the Wool program, the spin cycle is attempted only twice in order to prevent felting.

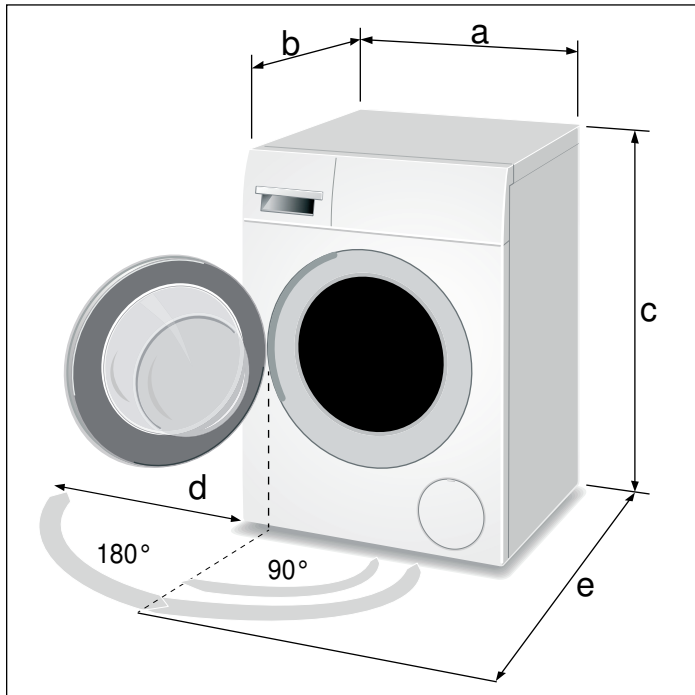
Environmentally friendly use of your washer

Your new Bosch washing machine is designed to use water, energy and detergent in a highly efficient way to help reduce operating costs, conserve resources and protect the environment.

- Utilize the maximum amount of laundry for the appropriate program.
- Avoid using too much detergent.
- Wash normally soiled laundry without a prewash.
- Save energy and detergent when washing lightly and normally soiled laundry.
- **Information about the energy consumption:**
The display provides information about the relative energy consumption in the selected program. The more indicator lamps light up, the higher the program's consumption.
This enables you to compare the consumption levels of the different programs when choosing your program settings and to decide on an energy- and water-saving program setting for the selected program.
- **Energy-saving mode:** The display panel lighting goes out after a few minutes and Start/Pause flashes. To activate the display, press any button.
Energy-saving mode is not activated if a program is running.
If Wi-Fi is activated the appliance will not automatically switch off (automatic switch-off function is deactivated).
- If the laundry will be dried in a dryer afterwards, select spin speed according to the dryer manufacturer's instruction.

Dimensions and clearances required

Appliance dimensions



Label	Dimension	U.S.	Metric
a	width	23.6 in.	60 cm
b	depth (to front of door)	25 in.	64 cm
c	height (minimum*)	33.2 in.	85 cm
	height (maximum*)	33.8 in.	86 cm
d	side clearance (door open 180°)	15.8 in.	40 cm
e	depth (door open 90°)	42.5 in.	108 cm
Weight	approximate gross	164 lbs.	77.2 kg

* height of appliance depends on the extension of the height adjustable appliance feet.

Length of power cord and water supply hoses

	To left of washer*		To right of washer*	
	U.S.	Metric	U.S.	Metric
Electric power cord	40 in.	102 cm	57 in.	145 cm
Water supply hoses	43 in.	109 cm	28 in.	71 cm
Drain Hose	19 in.	48 cm	40 in.	102 cm

* All distances are measured from indicated side when facing front of washer.

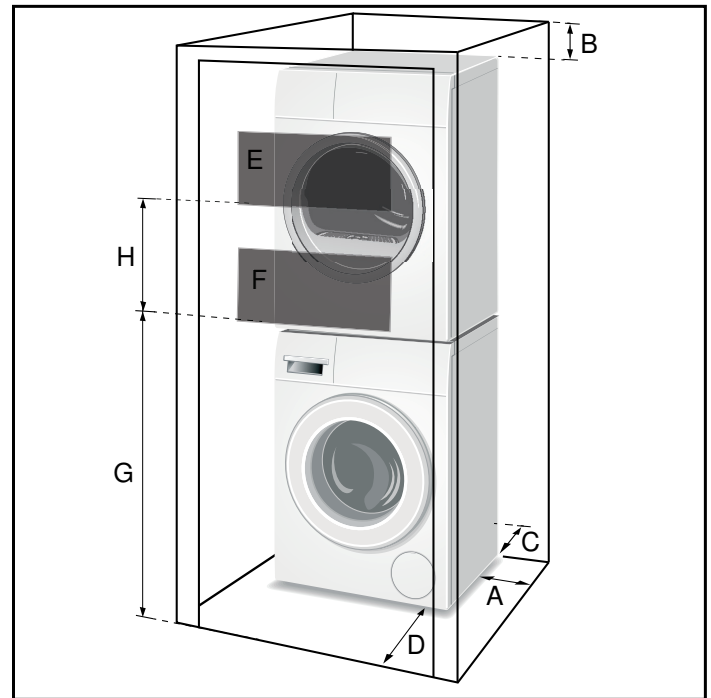
Installation types

Stacked washer and dryer

A Bosch dryer of the same dimensions can be stacked on top of the washer to save space.

CAUTION

- Use only the dryer stacking kit noted in the Bosch Dryer User Manual in the accessoires section.
- Do not stack washer on the top of the dryer.
- Do not stack washer on the top of another washer.
- Ensure washer transportation bolts have been removed and washer does not vibrate excessively.



Clearance requirements (Minimum)

Label	Location	U.S.	Metric
A	Both Sides	0.6 in.	1.5 cm
B	Top	6.3 in.	16 cm
C	Rear*	2.5 in.	6.4 cm
D	Front	2.4 in.	6.1 cm

* Rear clearance as close to wall as venting or water connection will allow. For a stacked installation arrangement a greater rear clearance for the dryer venting is required.

Ventilation area (Minimum)

Label	Location	U.S.	Metric
E	Top	63 sq. in.	404 sq. cm
F	Bottom	63 sq. in.	404 sq. cm

Vent spacing (actual not minimum dimensions)

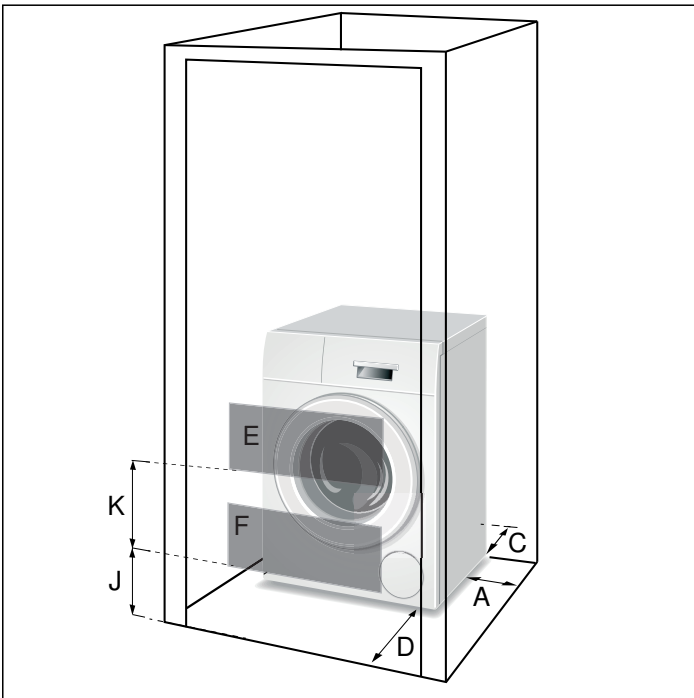
G	37 in.	94 cm
H	26 in.	66 cm
J	3 in.	7.6 cm
K	29 in.	73 cm

No doors or coverings.

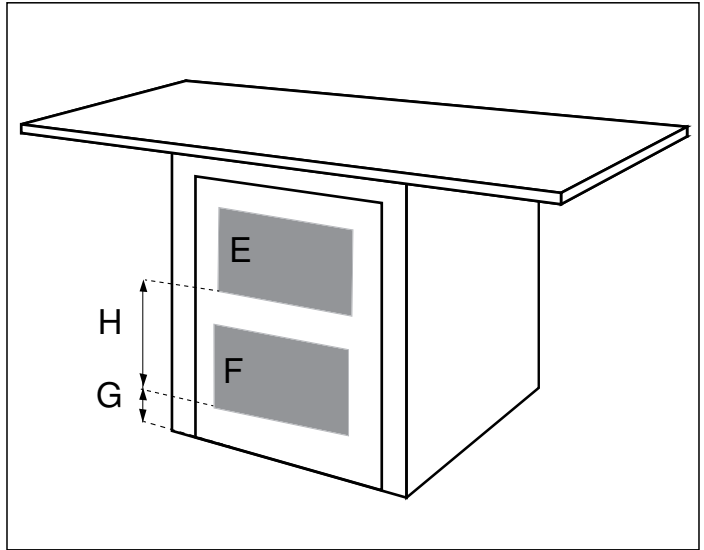
Minimum opening dimensions

A	28 in.	71.1 cm
B	23.8 in.	60.5 cm
C	34.5 in.	87.6 cm

Stand alone (shown) or Side-by-Side



Under counter (Less Desirable)



If front of the appliance is covered ventilation openings must be installed.

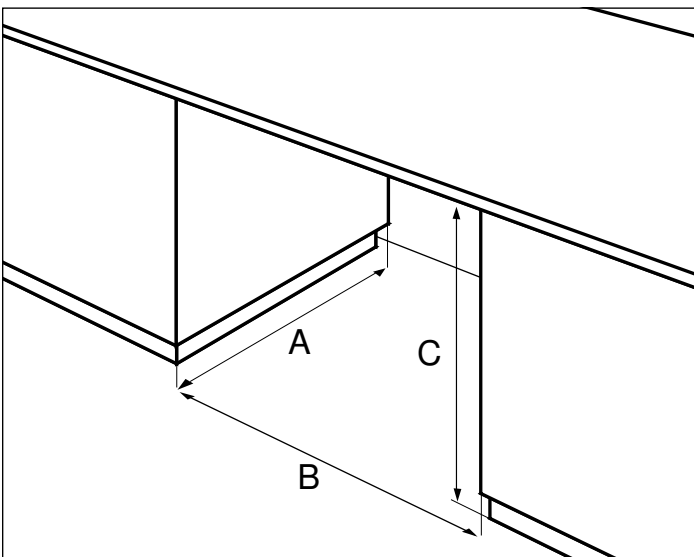
E & F are minimum area sizes

E	63 sq.in.	404 sq.cm
F	63 sq.in.	404 sq.cm

G & H actual spacing dimensions for min. open area sizes

G	3 in.	7.6 cm
H	14 in.	35.6 cm

Under counter (Preferred)



Front of the appliance fully open.

INSTALLATION INSTRUCTIONS

▲ WARNING

RISK OF FIRE, ELECTRICAL SHOCK OR INJURY TO PERSONS

To reduce the risk of fire, electric shock or injury to persons, read the Important Safety Instructions at the front of this manual before installing or operating this appliance.

▲ CAUTION

THE APPLIANCE IS HEAVY

- Use additional help and care when lifting and positioning.
- REMOVE ALL TRANSPORT BOLTS BEFORE OPERATING WASHER. Washer will vibrate and could cause damage if transport bolts are not removed before use.

Introduction

Read these installation instructions completely and carefully before starting to install your new washing machine. The information contained can save time and effort and will help to ensure optimum performance of your new washer. Be sure to observe all warnings and cautions.

NOTICES

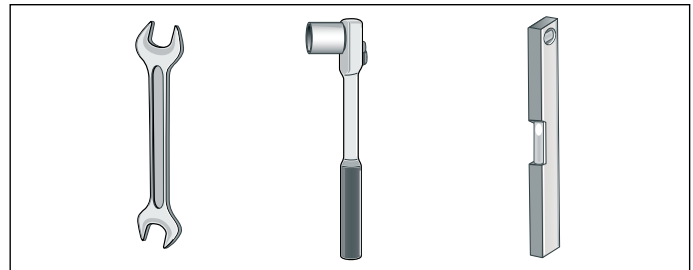
- Frozen hoses can tear or burst. Do not install the washing machine outdoors or in an area exposed to freezing conditions.
- If the washing machine is located in a room which will be exposed to temperatures below freezing, or if it is located in a cabin that is being shut down for the winter, any residual water in the pump or water inlet hose(s) must be drained.
- Take care not to damage the washing machine. Do not hold on to protruding parts (e.g. door) when lifting. Do not push against the appliance door glass due to risk of damage.
- In addition to the safety information listed here, the local water and electric authorities may have special requirements that must be followed.
- If in doubt, have the appliance installed by an authorized service provider.
- Hidden surfaces may have sharp edges. During service wear gloves and use caution when reaching inside the washer housing.

These installation instructions are intended for use by qualified installers. In addition to these instructions, the installation must comply with:

- for the United States - National Electrical Code, ANSI/NFPA70 - and latest editions of the state and municipal and/or local regulations.
- for Canada - Canadian Electrical Code C22.1 - and the latest editions of the provincial, municipal and/or local regulations.

Tools needed

The following tools may be helpful during installation of your washer.



- 13mm socket for removing the transport bolts.
- 17mm wrench for adjusting the appliance feet.
- Bubble level for leveling the appliance.

Waste disposal

Disposal of Packaging Materials

After unpacking your new appliance dispose of the protective packaging materials in an environmentally friendly way. Ask your dealer or inquire with your local authority regarding currently acceptable means of disposal.

▲ WARNING

WARNINGS FOR CHILDREN

Do not let children play with packaging and associated parts to avoid risk of choking or suffocation.

Disposal of Your Old Appliance

Your old appliance can be recycled if it is no longer to be used. Prior to disposing of your old appliance observe the following precautions to reduce safety risks.

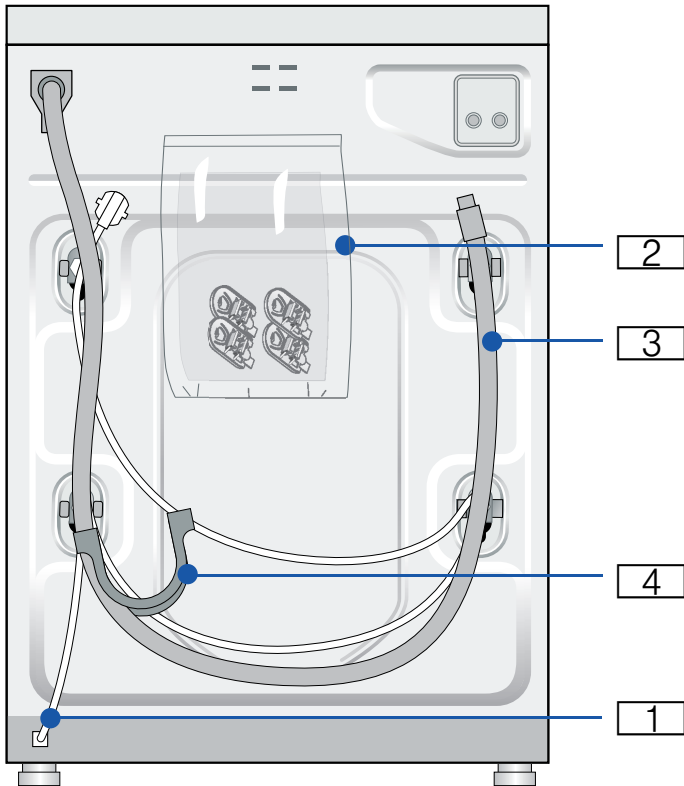
▲ WARNING

TO AVOID RISK OF INJURY OR DEATH, DO THE FOLLOWING

- after unplugging the old appliance, remove the electric power cord and dispose of properly.
- remove the door or permanently disable the door lock to prevent children from being locked inside.

Parts provided with your washer

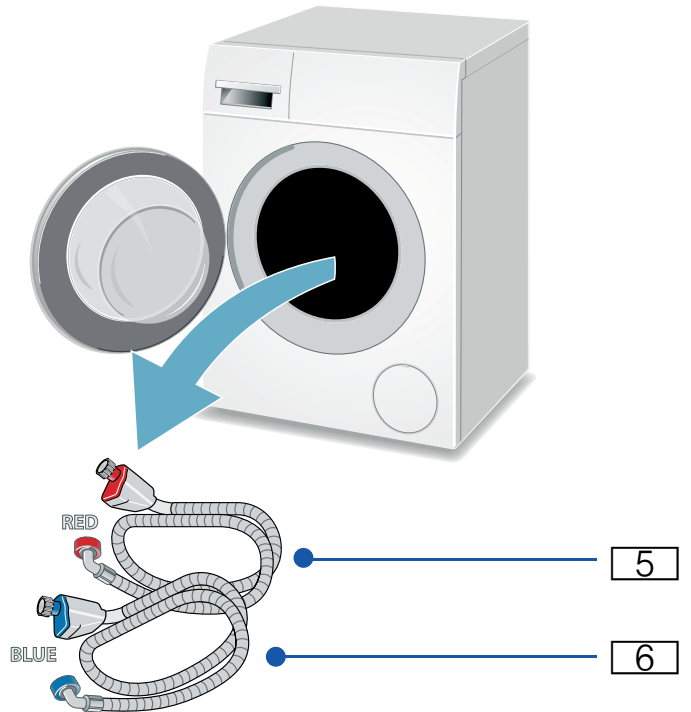
Back side of the washing machine



- 1 Power cord with plug
- 2 Literature pack; contents:
 - User manual
 - Covers
- 3 Drain hose
- 4 Elbow to form the hose to fit the drain pipe

Washer drum contents

Two AquaShield water supply hoses are shipped in the washer drum. Be sure to remove each of these and use these new hoses for the installation.



- 5 Hot water AquaShield™ hose
- 6 Cold water AquaShield hose

NOTICE: If any parts are missing please notify your dealer immediately.

Set up on a pedestal with drawer

Pedestal item number: **WMZ20490** or replacement **WMZPW20W**

Mount washer on the pedestal according to the instructions in the pedestal installation kit.

Installation checklist

Review the following list and check off each step as it is completed during installation.

✓	Installation Step	Page
	If installing to a pedestal (base), complete the base installation before removing the transport bolts	14
	Completely remove all four shipping bolts keeping the bolt and bushing assemblies intact	14
	Connect the water supply hose and drain hose	15
	Connect the electrical power	18
	Slide the washing machine into its final location	
	Level the washing machine (as low as possible)	17
	Before washing laundry, run the Drum Clean program	23

Importance of installing on a solid, level floor

Your new Bosch washing machine utilizes high spin speeds to achieve superior water removal from your laundry resulting in reduced drying time. It is important to install your washing machine on a floor that will provide firm support. This prevents the washer from experiencing excess vibration during spinning that could cause the washer to move or be noisy.

The installation surface must be solid and level in both directions. Avoid installing your washer on soft surfaces such as floors with carpet or foam backed covering material.

If installing the washer on a wooden floor, observe the following:

- install the washer in a corner for better support if possible.
- if necessary, reinforce the floor by screwing a water resistant wooden board to the floor (minimum of 1-1/8 in. / 28.5 mm thick).

Remove the transport bolts

▲ CAUTION

DAMAGE TO THE APPLIANCE OR INJURY POSSIBLE

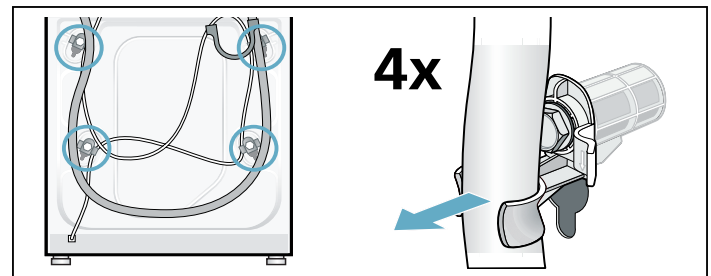
- The machine is secured for transport with transport bolts.
REMOVE ALL TRANSPORT BOLTS BEFORE OPERATING WASHER. Washer will vibrate and could cause damage if transport bolts are not removed before use. Washer will be much noisier during spin cycles if transport bolts are not removed.

Save the transport bolts.

If a pedestal was purchased with the washer, it must be installed first, prior to removing the transport bolts. Please consult the pedestal installation instructions.

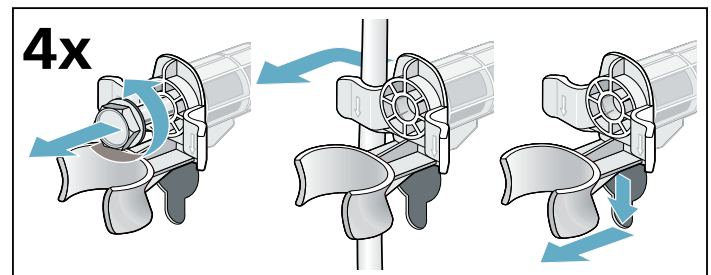
- In order to prevent transport damage during later transport, be sure to re-install the bolts before transport.

1. Remove drain hose from all brackets.

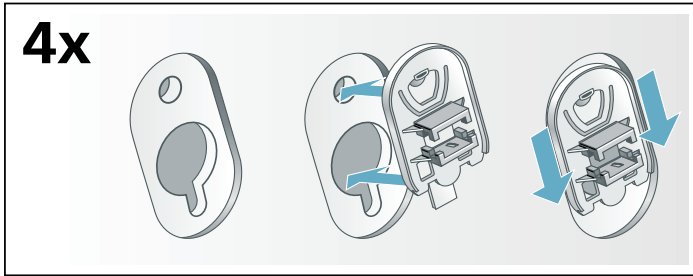


2. Loosen and remove all 4 transport bolts.

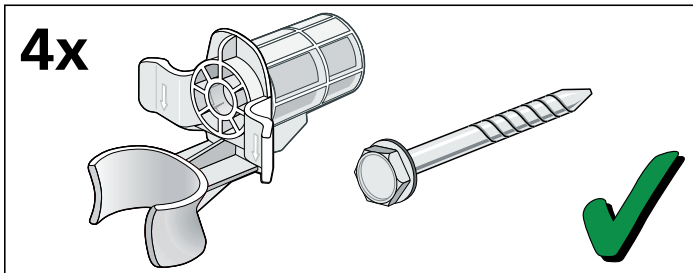
Remove the sleeves. Take the power cable out of the brackets.



3. Place covers over the transport bolt holes.
Four plastic covers are provided in the small parts bag included with your washer. Separate these covers and install one in each hole where the transport bolts were removed.
Lock covers firmly by pressing on the snap hook.



NOTICE: Keep the assemblies together and store them for later use such as when moving the washer.



Water connections

Water supply hose connections

NOTICES

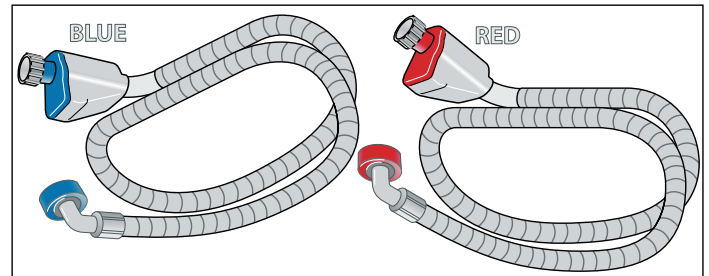
- The washing machine must only be operated with cold and hot (max. 140 °F/60 °C) tap water. Do not connect the appliance to the mixer tap of a pressurized hot-water boiler.
- To prevent water damage, the hot and cold water valves should be accessible when the washing machine is in place and should always be turned off when the washing machine is not in use.
- If installing the washing machine in a new building or a building in which the plumbing system was recently installed or upgraded, flush the lines before installing the washing machine to remove any sand, dirt or residue.
- To prevent leakage or water damage, follow the instructions in this chapter.
- If in doubt, have the appliance installed by an authorized service provider.

Connect your washer to the wall faucets using the included AquaShield™ water supply hose.

Observe each of the following:

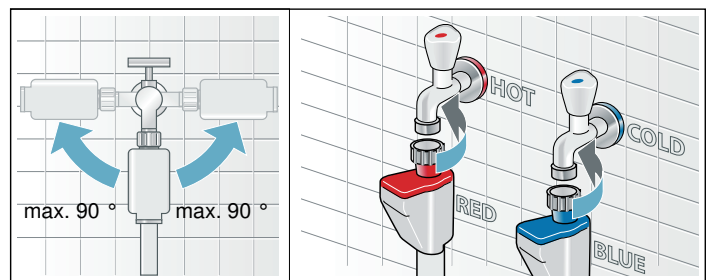
- Only use the new water supply hose shipped with your washer. Never use old used hoses.
- The water supply hoses must not be kinked, bent, or pinched causing hose damage or restricting water flow.

- The water supply pressure must be between **14.5 to 145 psi (1 - 10 bar)** with a minimum of 2.2 U.S. gallons (8 liters) of flow per minute. A pressure regulator valve must be installed if the maximum water pressure is exceeded.
- Make sure the water supply faucet is easily accessible when the washer is in use. The faucet should be turned off if the washer is going to be unused for extended periods of time.
- Make sure rubber washers are in place at both ends of the water supply hose. Missing washers could cause leaks.
- The connection points are under full water pressure. Turn on the water tap and check for leaks.
- Periodically inspect the water supply hose and replace with a new hose if cuts, kinks or leaks are observed.

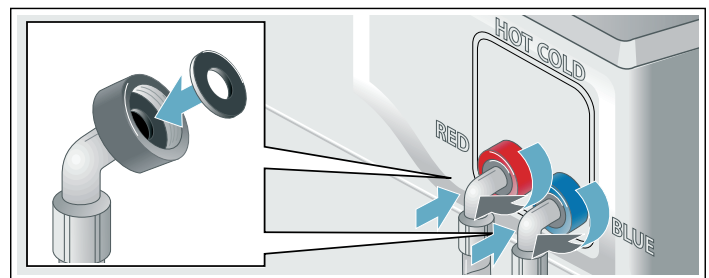


Water connection hoses

- red - Hot water-hose
- blue - Cold water-hose

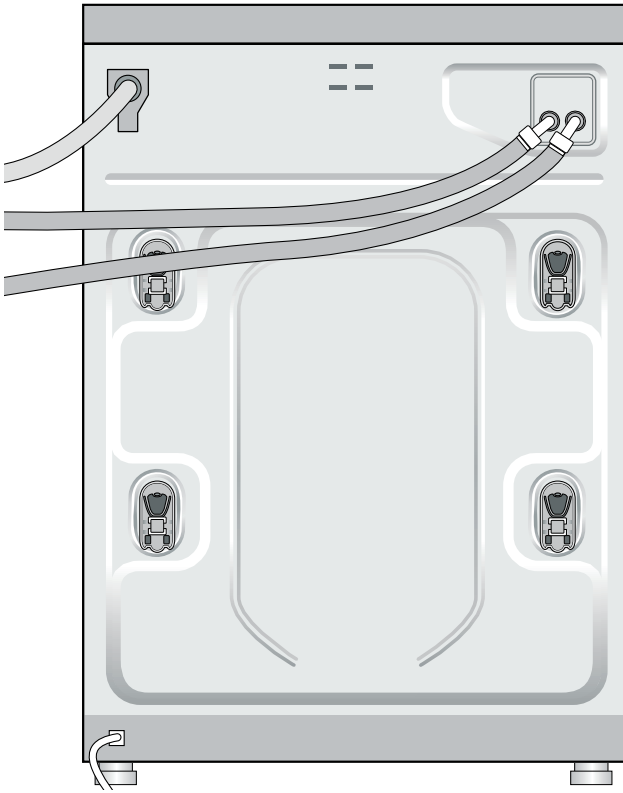


Attach this end to water tap. Hand tighten only.

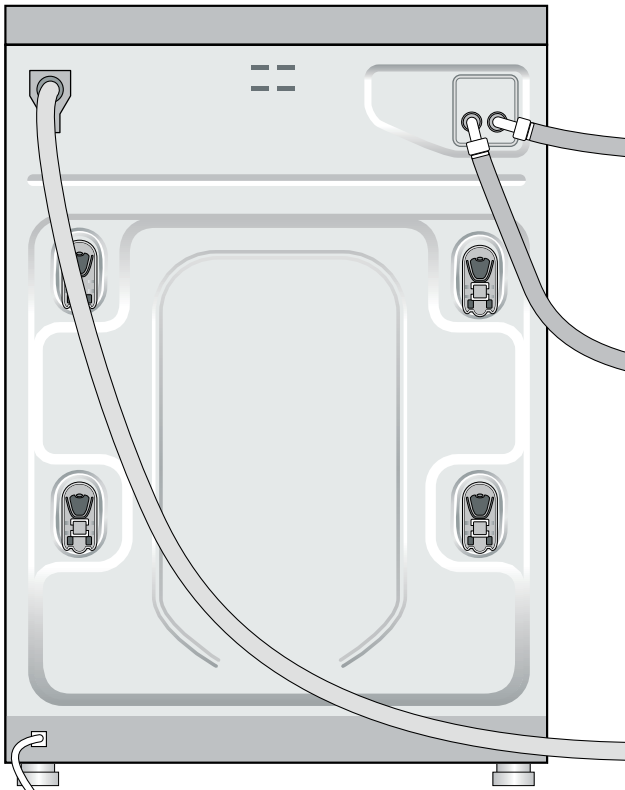


Attach this end of the hose to the back of the washing machine as shown in the following pictures. Be sure to use clamps and route hoses as instructed. Hand tighten only.

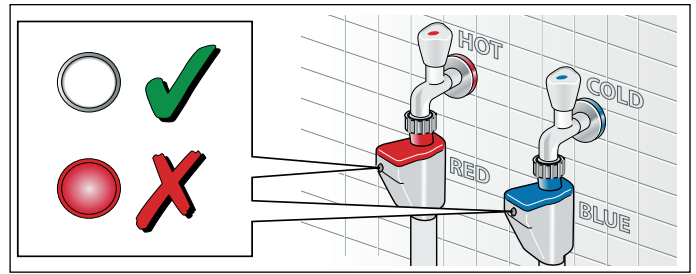
Position hoses as shown when routing hoses to right side of washer (facing from front).



Position hoses as shown when routing hoses to left side of washer (facing from front).



About the AquaShield™ Hose



The AquaShield hose prevents potential flooding in the event the hose develops an internal leak. If the hose leaks, the indicator turns red and water flow is blocked. Once the internal valve in the hose activates (indicator is red) the hose must be discarded. Contact Customer Service to purchase a replacement.

Water drain hose connection

NOTICES

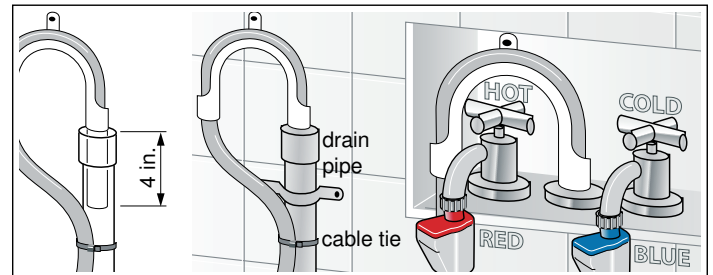
- Do not reuse an old drain hose. Only use the drain hose and parts included with your washer.
- Do not kink or modify the water drain hose.

Height of drain point

Height difference between the floor and drainage point: max. 39 in. (100 cm).

Types of drainage hookups

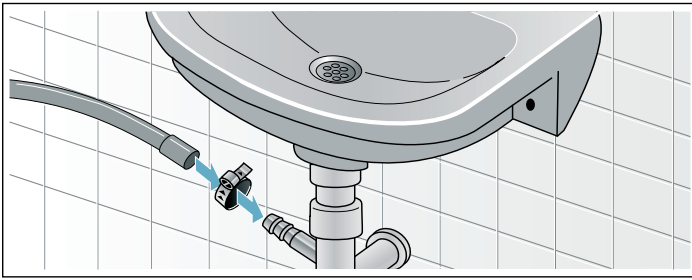
Standpipe



Attach the drain hose to the elbow included with your washer.

Position the elbow on the drain hose 4" from end of hose as shown. Insert this section of the drain hose into the drain pipe. Secure the elbow and hose with a nylon tie strap or the equivalent to keep the hose from coming out of the drain pipe during use.

Sink siphon



Secure the drain hose to the sink siphon using a \varnothing 0.9 - 1.6 in. (20-44 mm) hose clip (available from a hardware store).

Wash Basin

⚠ WARNING

SCALDING

When washing at high temperatures, there is a risk of scalding if you touch hot suds, e.g. when pumping out hot suds into a wash basin.

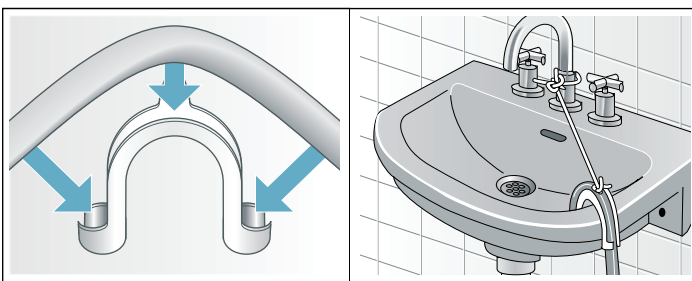
Do not reach into the hot suds.

NOTICE: Appliance damage/damage to textiles

If the end of the drain hose touches the discharge water (water drained from washer) it (the discharge water) can be sucked back into the appliance and may damage the appliance or textiles.

Make sure that:

- There is no stopper in the sink drain.
- The end of the hose does not touch the discharge water.
- The sink drain is free flowing and not partially clogged.



Attach the drain hose securely to the wash basin.

NOTICE: In any multi-story installation, the washer should be installed on a drained floor to prevent water damage to rooms below in the event of a leak.

Leveling the washer

Importance of leveling the washer

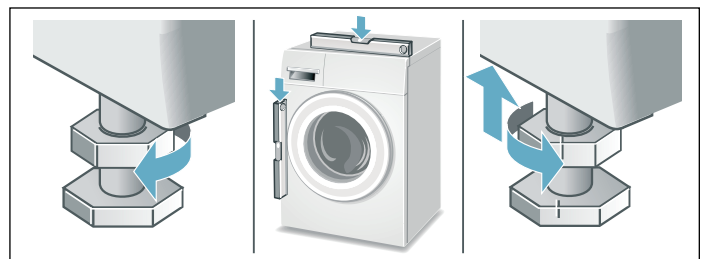
Your new washer uses high spin speeds to remove water at the end of the wash cycle. It is important that your washer is level and that all four washer feet press with equal pressure against the floor. This will help assure the quietest, most vibration-free use of your washer.

Follow these steps:

1. Install the washer on a level and solid surface, preferably in a corner of a room.
2. If the floor is uneven (or unlevel) adjust the washer feet as required to level the washer. Do not place anything under the washer feet to help level the washer.
3. Extend the washer feet no more than is necessary. The more the feet are extended, the more vibration the washer will experience. Start with the washer feet turned all the way in and adjust each foot as necessary.
4. Use a bubble level to check the top of the washer to make sure it is level side to side and front to rear.
5. Press down on each corner of the washer top to make sure the washer doesn't "wobble". There should be no "give" or movement. All four washer feet should press equally against the floor. This is just as important as the washer being level to prevent vibration.
6. When the washer is level and does not wobble, lock the washer feet in place by tightening the locknuts against the washer bottom. Be sure to do this without changing the height of the foot (hold the foot while tightening the locknut).

Procedure for adjusting the washer feet:

1. After determining which washer feet need to be extended, have someone lift up on the washer slightly to take pressure off the foot to be adjusted.
2. Turn the grey plastic foot to extend it downward as far as necessary to raise the corner of the washer the correct amount to level the washer.
3. When the height of the foot is correct, use a 17 mm open end wrench to tighten the locknut against the washer bottom. The locknut should be tight against the bottom of the washer to lock the foot in place.



Electrical connection

⚠ WARNING

ELECTRICAL SHOCK HAZARD

Improper connection of the equipment-grounding conductor can result in a risk of electric shock. Check with a qualified electrician or serviceman if you are in doubt as to whether the appliance has been properly grounded.

⚠ WARNING

ELECTRICAL SHOCK HAZARD

To reduce the risk of fire or electrical shock, DO NOT use an extension cord to connect the washing machine to the power supply.

⚠ WARNING

ELECTRICAL SHOCK HAZARD

To reduce the risk of electrical shock:

- Only pull out the power cord by the plug end and never by the cable, as this could damage it.
 - Never touch or hold the plug end or power cord with wet hands.
 - Never unplug the power cord during operation.
-

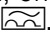
GROUNDING INSTRUCTIONS

⚠ WARNING

ELECTRICAL SHOCK HAZARD

This appliance must be grounded. In the event of malfunction or breakdown, grounding will reduce the risk of electric shock by providing a path of least resistance for the electric current. This appliance is equipped with a cord that has an equipment grounding conductor and a grounding plug. The plug must be plugged into an appropriate outlet that is properly installed and grounded in accordance with all local codes and ordinances.

- Do not modify the plug provided with the appliance. If the plug will not fit into the outlet have a properly grounded outlet installed by a qualified electrician. Do not cut, remove or bypass the grounding prong on the washer power cord plug.
- The washer power cord plug must be easily accessible when the washer is operating.
- When unplugging or plugging in the washer power cord, grasp the plug end. Do not pull on the cable to unplug the washer.

- The household electrical supply must be suitable for the voltage specification shown on the washer rating plate (located inside the washer door, immediately below the drum opening).
→ *Purchase information; Page 5*
See below for connection specifications and fuse/breaker requirements.
- The wiring for the electrical outlet circuit must be sufficient to meet the appliance requirements. Use of a Ground Fault Circuit Interrupter (GFCI) is recommended.
- Protect the power cord from physical damage, such as being twisted, kinked, pinched, caught in a door, or walked upon.
- If the power cord is damaged, it must be replaced by a qualified authorized service provider to avoid a fire/shock hazard. Replacement power cords can be purchased through Customer Service.
→ *Customer Service; Page 5*
- The washing machine must only be connected to an individual branch circuit via a receptacle which has been properly installed and grounded.
- Make sure that:
 - the power plug fits into the receptacle
 - the wire size is sufficient
 - the grounding system is properly installed
- The power cord may be replaced by an electrician only. Replacement power cords can be purchased from Customer Service. To reduce the risk of fire or electrical shock, DO NOT use an extension cord to connect the washing machine to the power supply. If a ground fault circuit breaker is to be used, only use the types marked with the following symbol: . Only this symbol can assure compliance with all current regulations.

Transporting the washer

Before transporting the washer

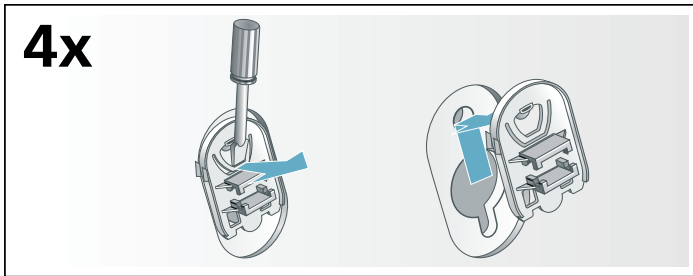
1. Disconnect the washer power cord from the wall outlet.
2. Turn off the water supply to the washer.
3. Disconnect water supply lines from the tap.
4. Disconnect the drain hose from the drain location.
5. Install the transport bolt assemblies as shown in the following images.

⚠ CAUTION

Carefully drain residual water from inlet and drain hoses. Secure all hoses and power cord to the back of the washer to prevent them from being damaged.

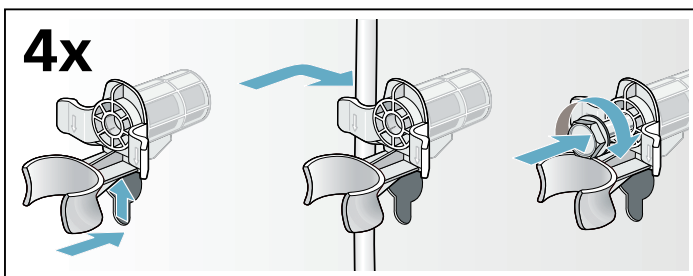
Remove the transport bolt hole covers

1. Remove all four transport bolt hole covers.
2. Pull the tip of the arrow on the cover out slightly to disengage the locking tab.
3. Rotate the cover counterclockwise to remove. Repeat for all 4 transport bolt hole covers.



Insert the transport bolt assemblies

1. Each assembly consists of a plastic bushing and a bolt that extends through the bushings. Unscrew the bolt until the threaded end is flush with the end of the plastic bushing.
2. Insert the transport bolt and bushing assembly as shown. The metal housing slides around the bolt through the slot in the plastic bushing as the bushing is slid into place. The open part of the bushing slot should be facing the direction shown to allow the assembly to slide fully into place.
3. When the bolt is in place screw it in until the bolt threads engage the drum. Double check and ensure bolts are screwed into threaded holes and not into cracks or crevices. Repeat the process for all 4 transport bolt assemblies before tightening any all the way. Complete tightening all 4 bolt assemblies until they are each snug in place.



⚠ CAUTION

RISK OF APPLIANCE OR MATERIAL DAMAGE

- Despite draining, there will always be some residual water in the appliance. This residual water may leak out and cause damage; therefore, the appliance should always be transported upright.
- Ensure transport bolts are removed after transporting washer and before first use.