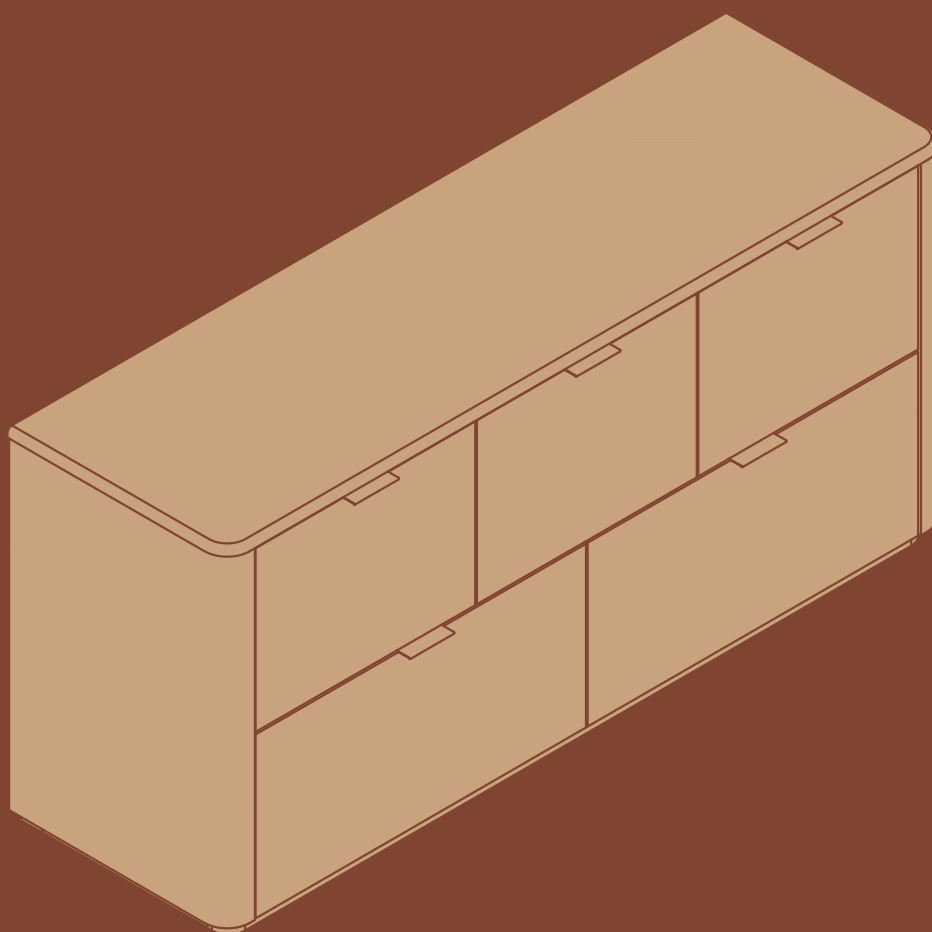


# ASSEMBLY INSTRUCTION



Dresser

# CATALOGUE

---

Precautions	01
Parts List	02-03
Hardware List	04
Tool List	05
Assembling Process	06-32

## INTRODUCTION

Thank you for purchasing our products. Please read the instructions carefully before installation and keep it in a safe place for future reference. If you need any assistance or support, please feel free to contact our customer support team.

## PRECAUTIONS

This package contains numerous components and hardware pieces. Please identify and verify all parts against the parts list before you begin assembly.

**WARNING: Choking Hazard.** This product contains small items. Keep all parts and hardware out of the reach of children during assembly.

To prevent scratches, assemble the product on a soft, non-abrasive surface such as a carpet, blanket, or the flattened cardboard packaging.

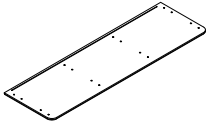
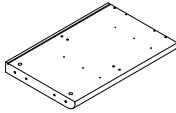
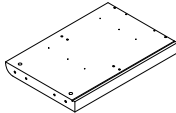
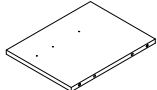
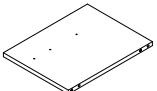
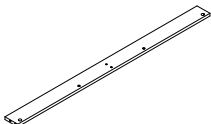
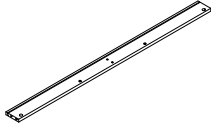
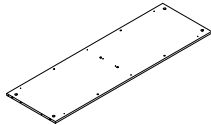
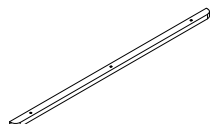
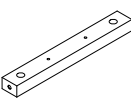
Some components are heavy. For safety, we recommend this product be assembled by two adults.

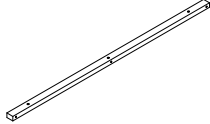
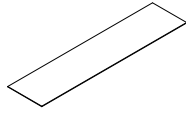
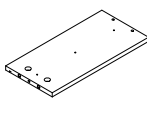
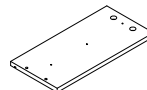
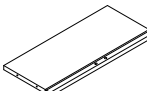
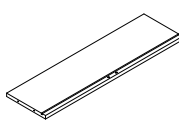
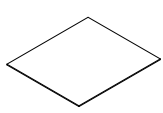
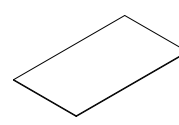
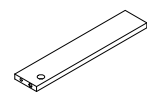
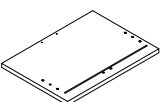
The unit may be unstable until assembly is fully complete. Do not move the product until all steps are finished.

If you encounter any issues or have questions, please contact our customer service team for assistance.

- \* **Please be sure to follow the installation steps in the manual to avoid unnecessary losses caused by improper installation.**
- \* **If you need further assistance, please contact the customer service online.**

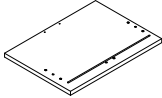
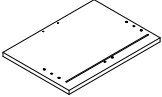
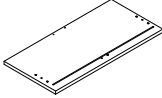
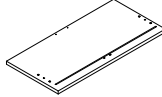

**Parts List**

ID	Parts	QTY
1		1
2		1
3		1
4		2
5		1
6		1
7		1
8		1
9		1
10		3


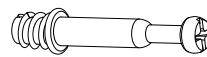






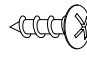

ID	Parts	QTY
11		1
12		1
13		5
14		5
15		3
16		2
17		3
18		2
19		2
20		1



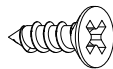


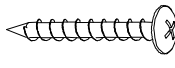
---

## Parts List

ID	Parts	QTY
21		1
22		1
23		1
24		1
25		1

## Hardware List

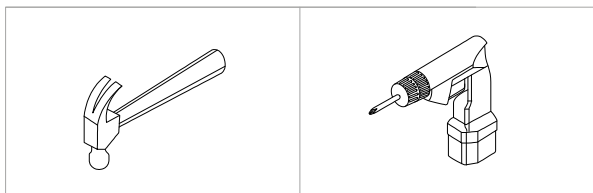
ID	Parts	QTY
<b>A</b>	 Washer	46+2
<b>B</b>	 Screw	46+2
<b>C</b>	 Ø6*30mm	18+2
<b>D</b>	 Ø8*30mm	24+2
<b>E</b>	 Ø8*Ø4*30mm	22+2
<b>F</b>	 Ø9*Ø4*40mm	6+1
<b>G</b>	 Bracket	2
<b>H</b>	 Bracket	2
<b>I</b>	 Ø9*Ø4*13mm	2
<b>J</b>	 Ø9*Ø4*35mm	2

ID	Parts	QTY
<b>K</b>	 Plate	12+2
<b>L</b>	 Ø5.8*Ø3*16mm	12+2
<b>M</b>	 Ø7*Ø3.5*12mm	70+2
<b>N</b>	 Screws	5
<b>O</b>	 Plate	5
<b>P</b>	 Ø9*Ø4*30mm	12+1

---

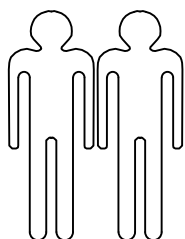
## Tool List

### Required Tools (Not Included)

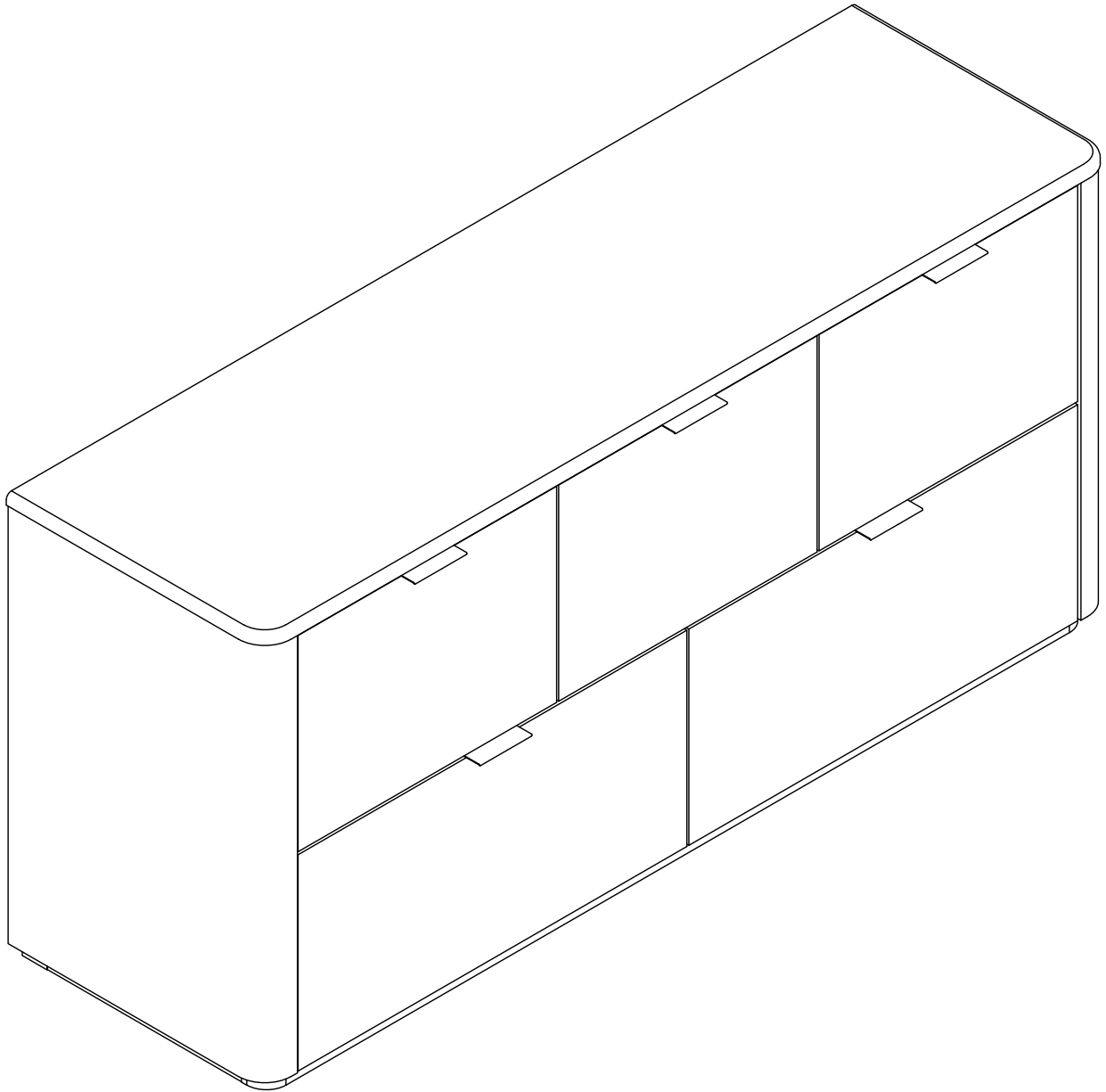


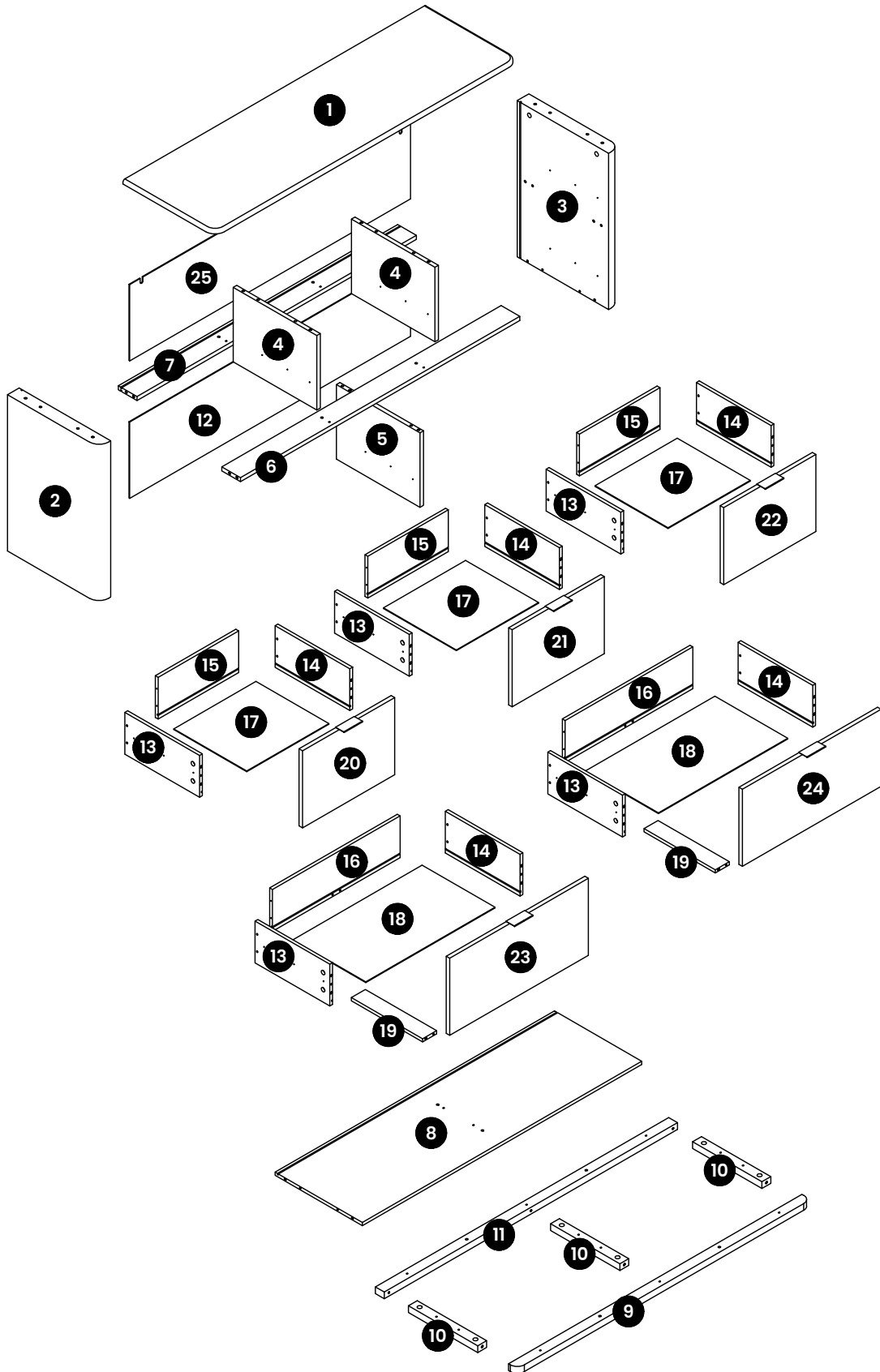
**Wall mounting only**

**These tools are not required for product assembly.**



Multi-person installation

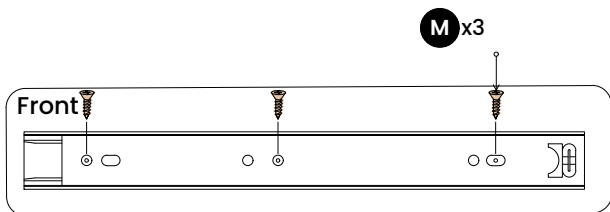
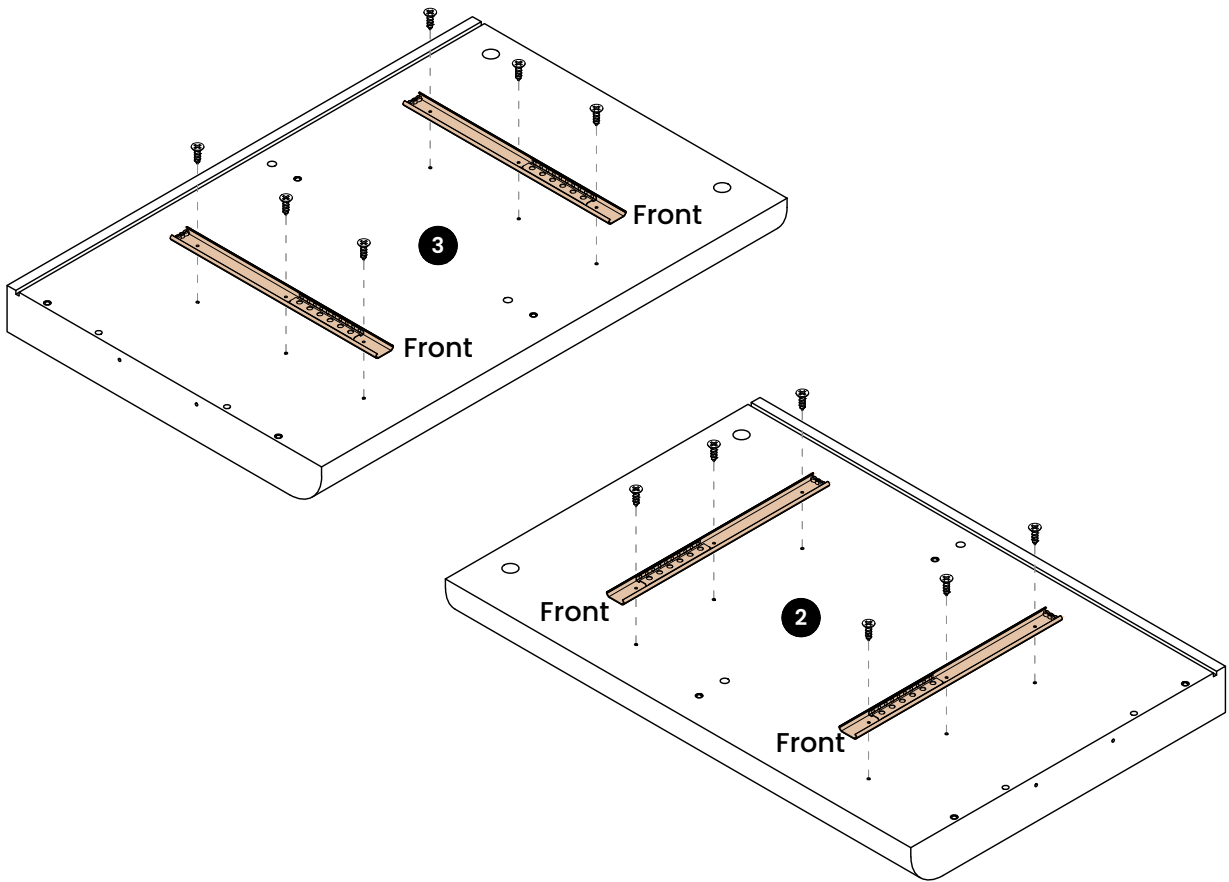





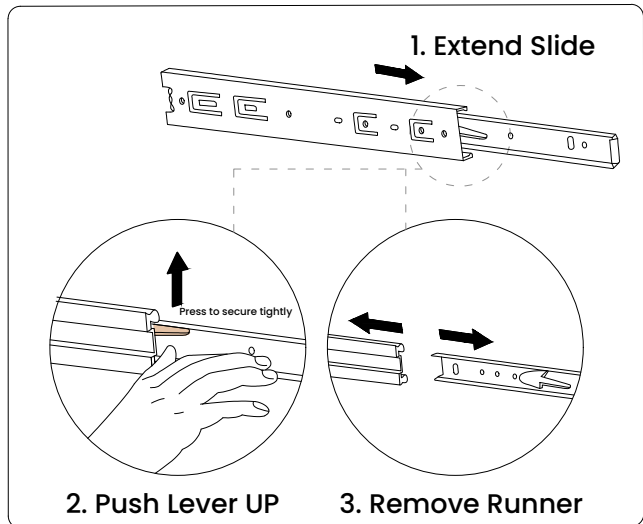
STEP 1

 **M** X12

 **N** X2



 Pay attention to the position of the screws

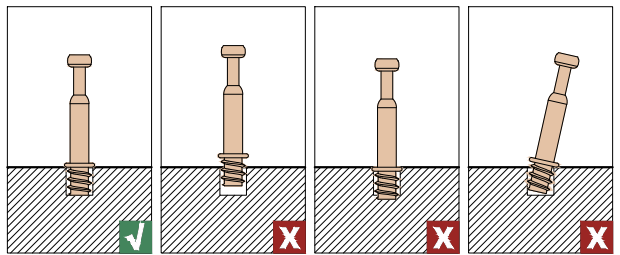
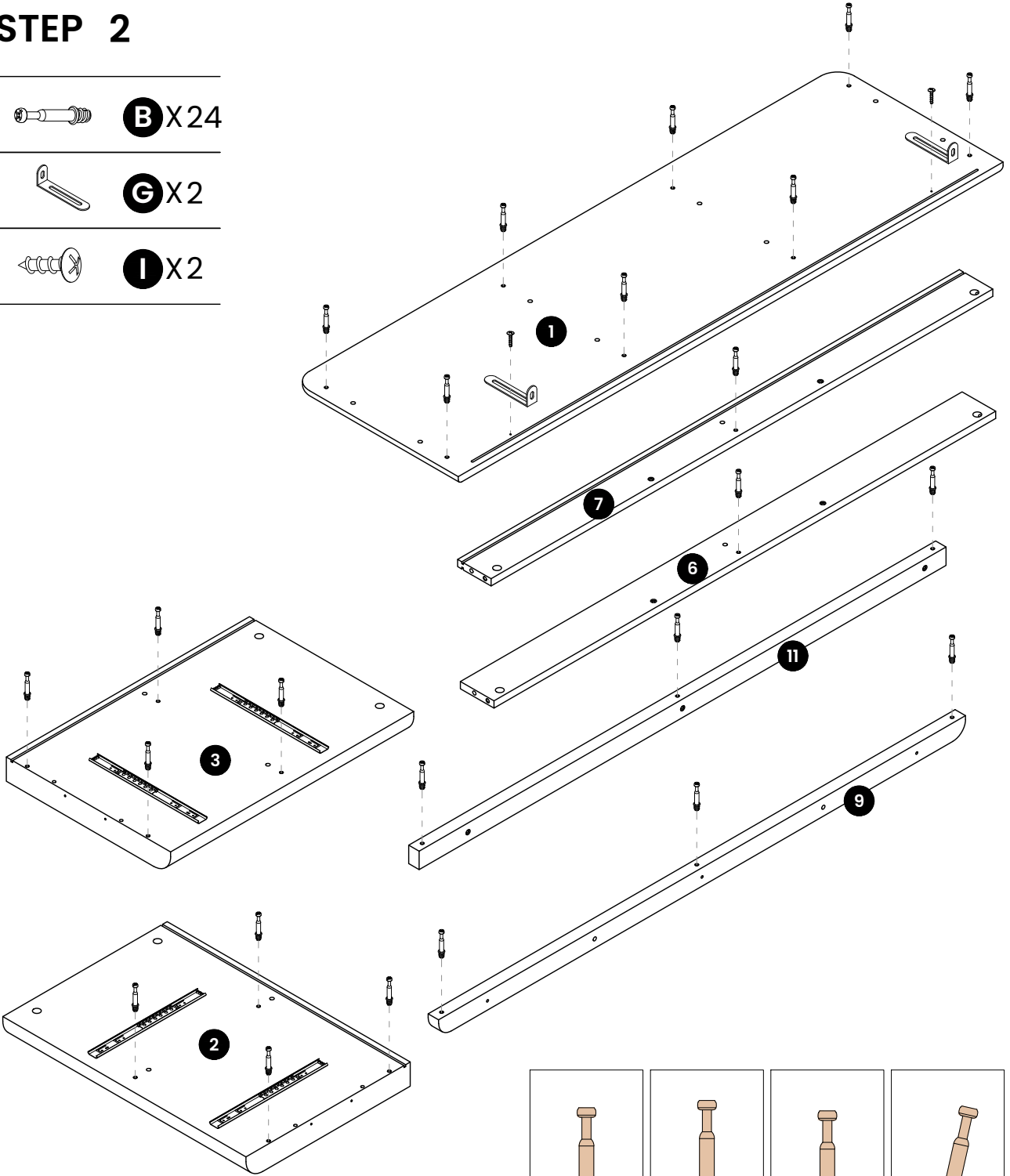



STEP 2

 **B** X24

 **G** X2

 **I** X2

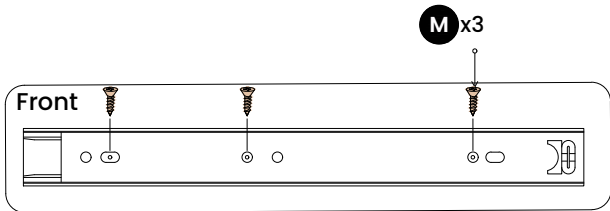
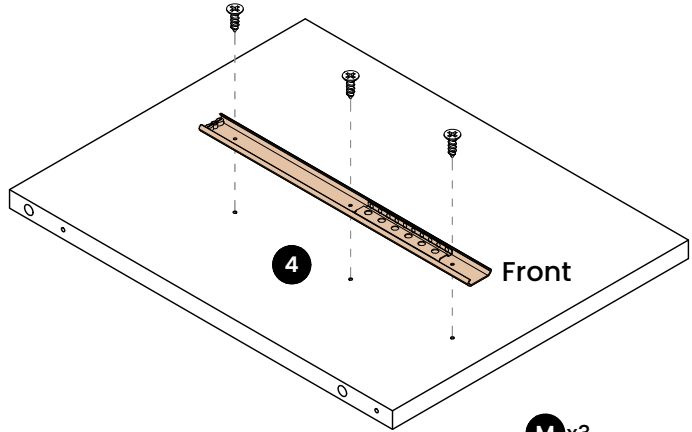


 Install the screw correctly to secure the screw.

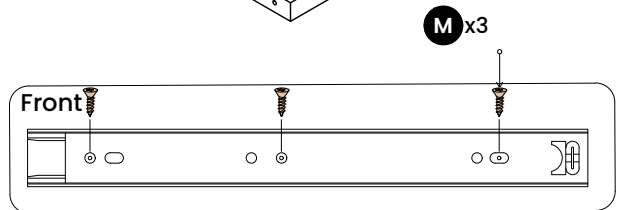
STEP 3


 **M**x12

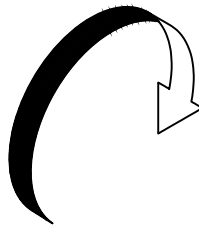
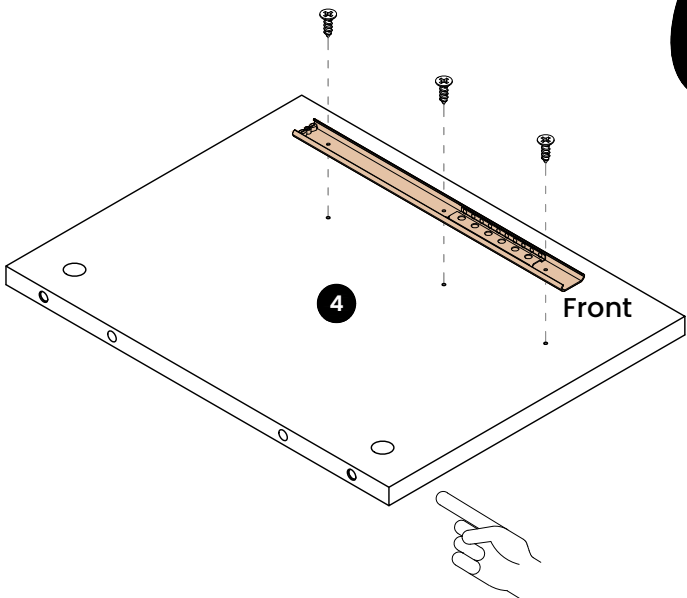
 **N**x2



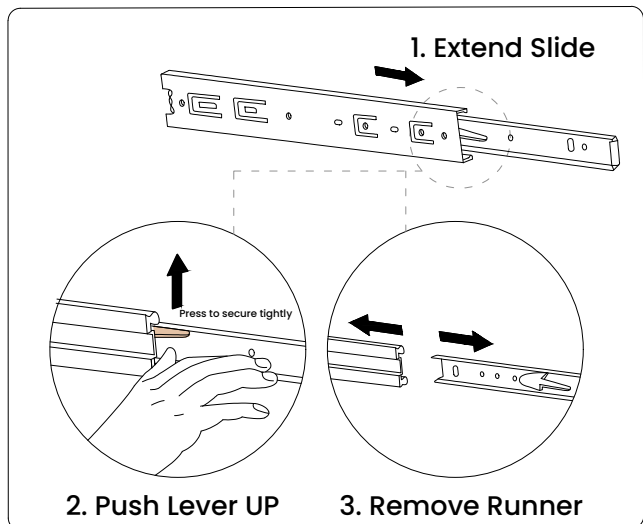
 Pay attention to the position of the screws



 Pay attention to the position of the screws



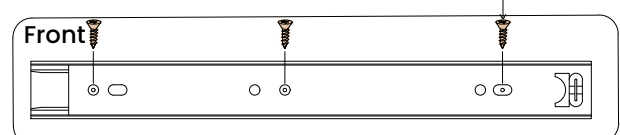
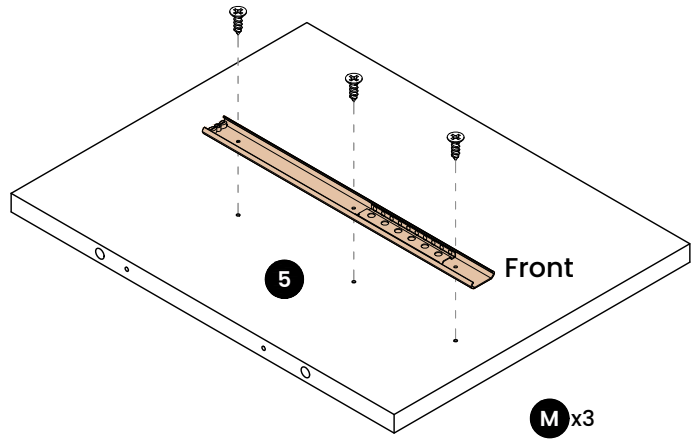
**x2**




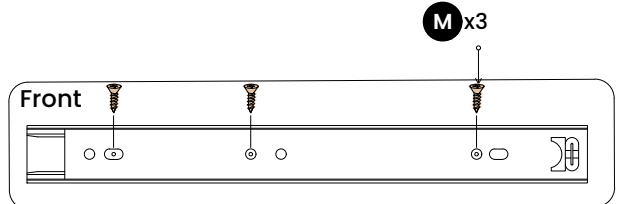
STEP 4


 **M** X6

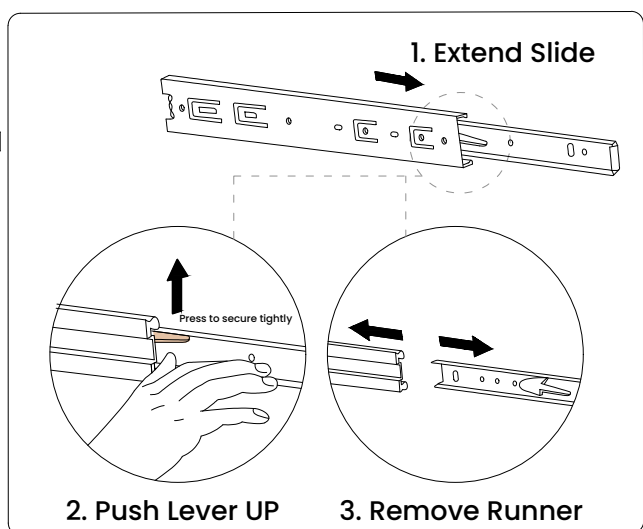
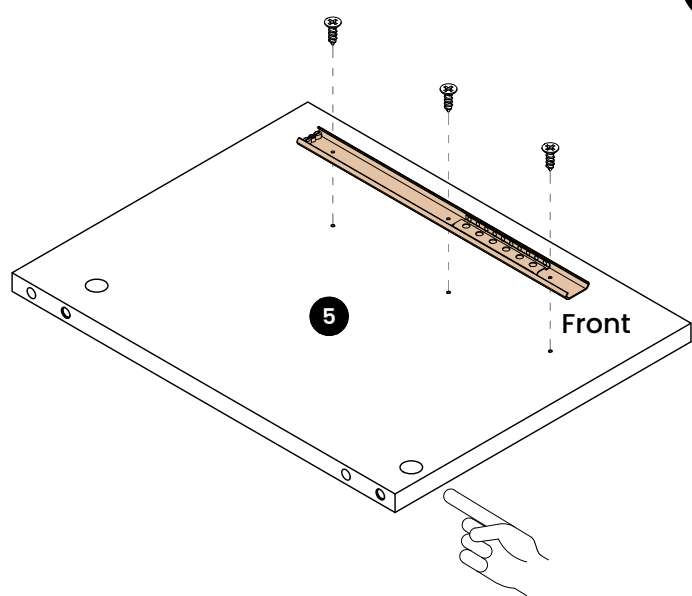
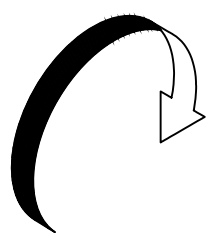
 **N** X1



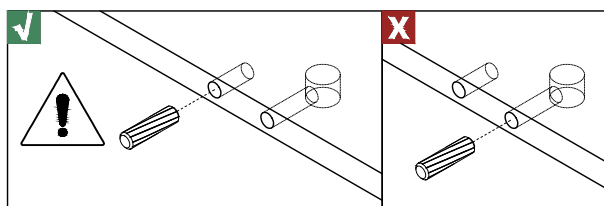
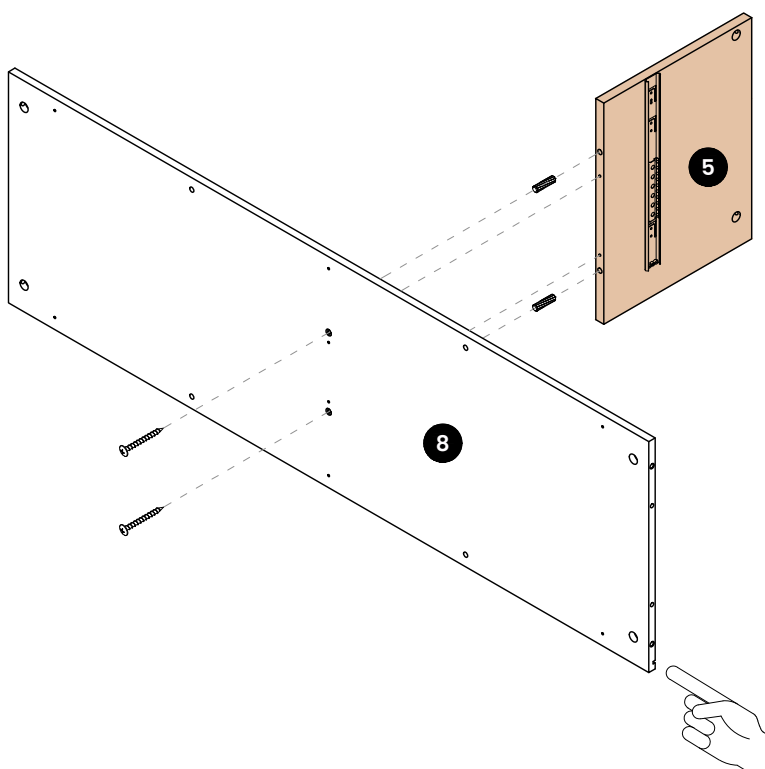
 Pay attention to the position of the screws



 Pay attention to the position of the screws



## STEP 5



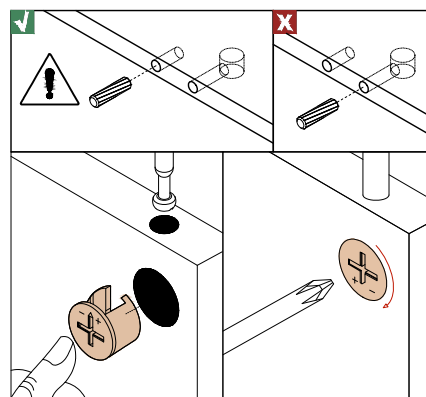
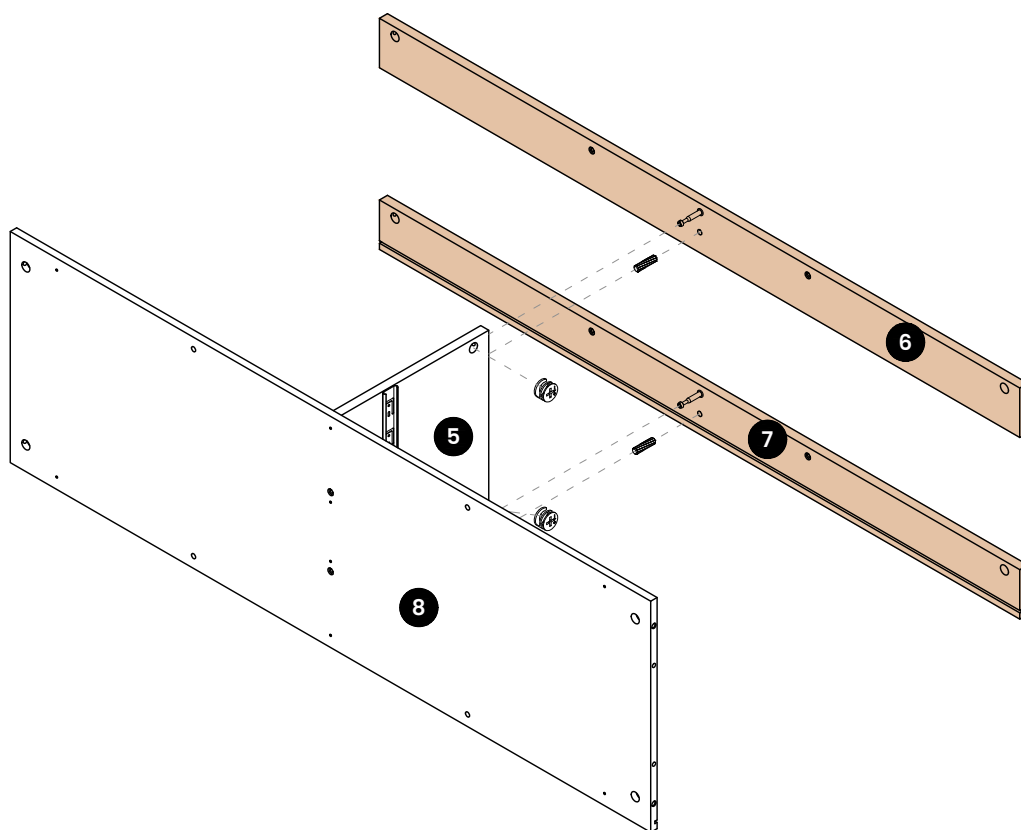
## STEP 6



**A** X2



**D** X2



## STEP 7



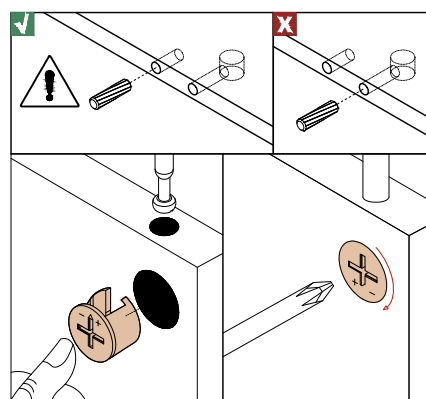
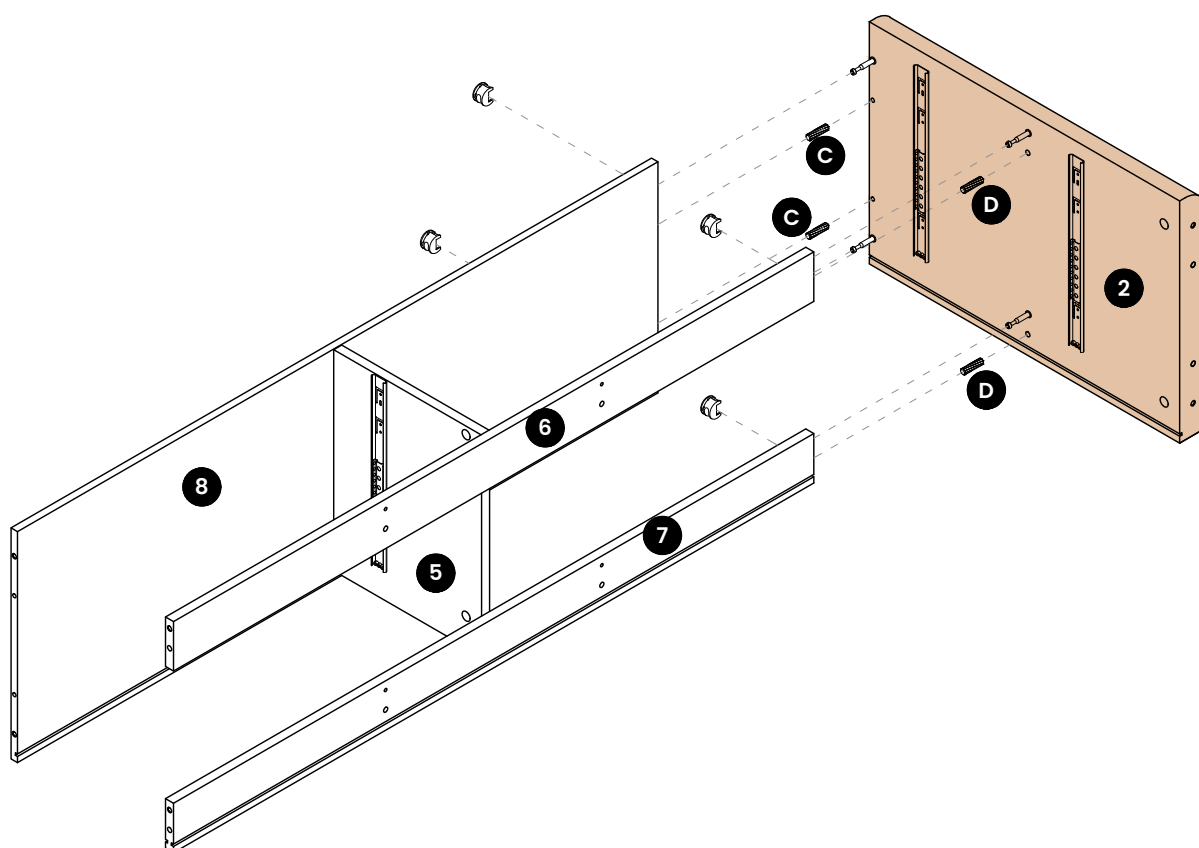
**A** X4



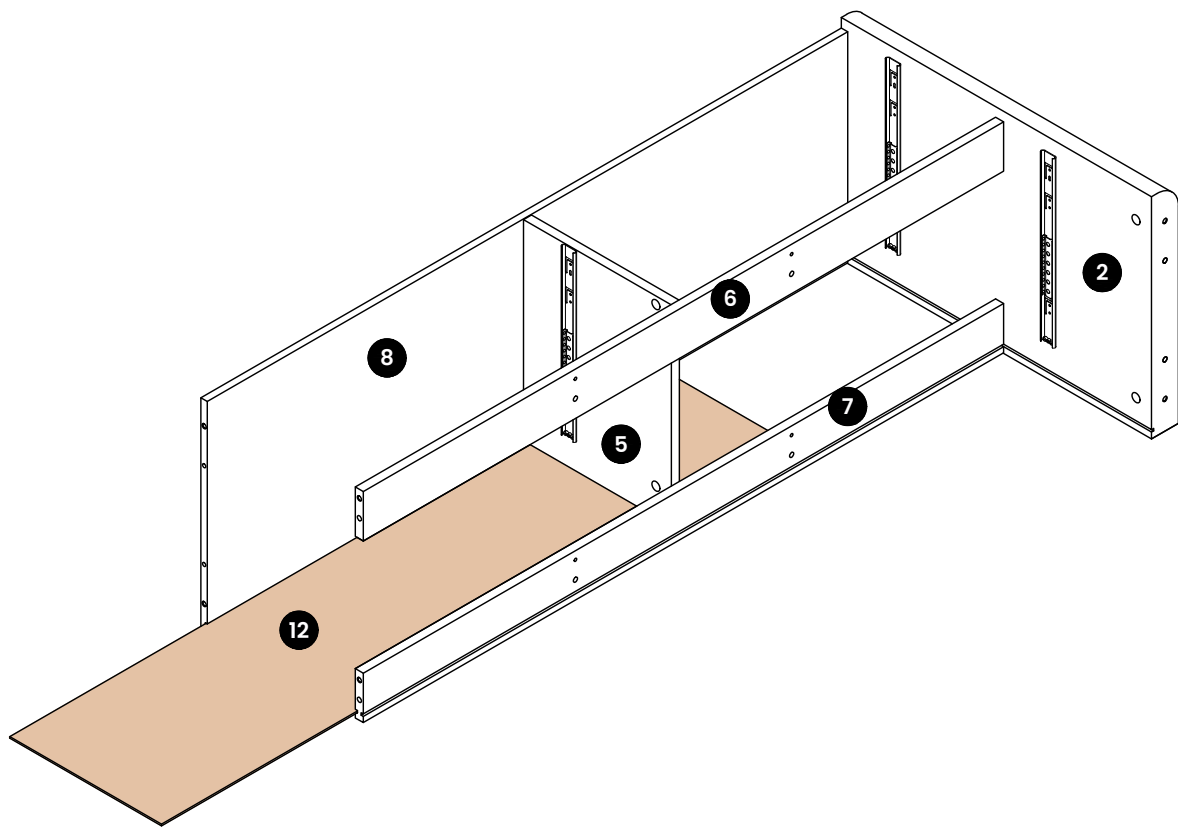
**C** X2



**D** X2



---

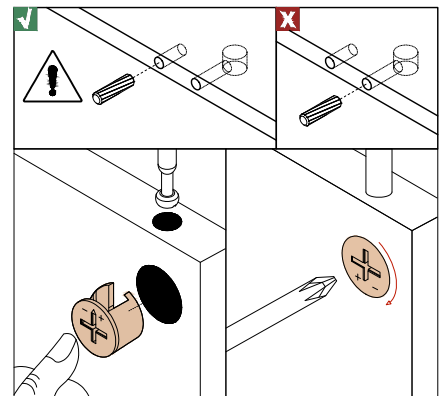
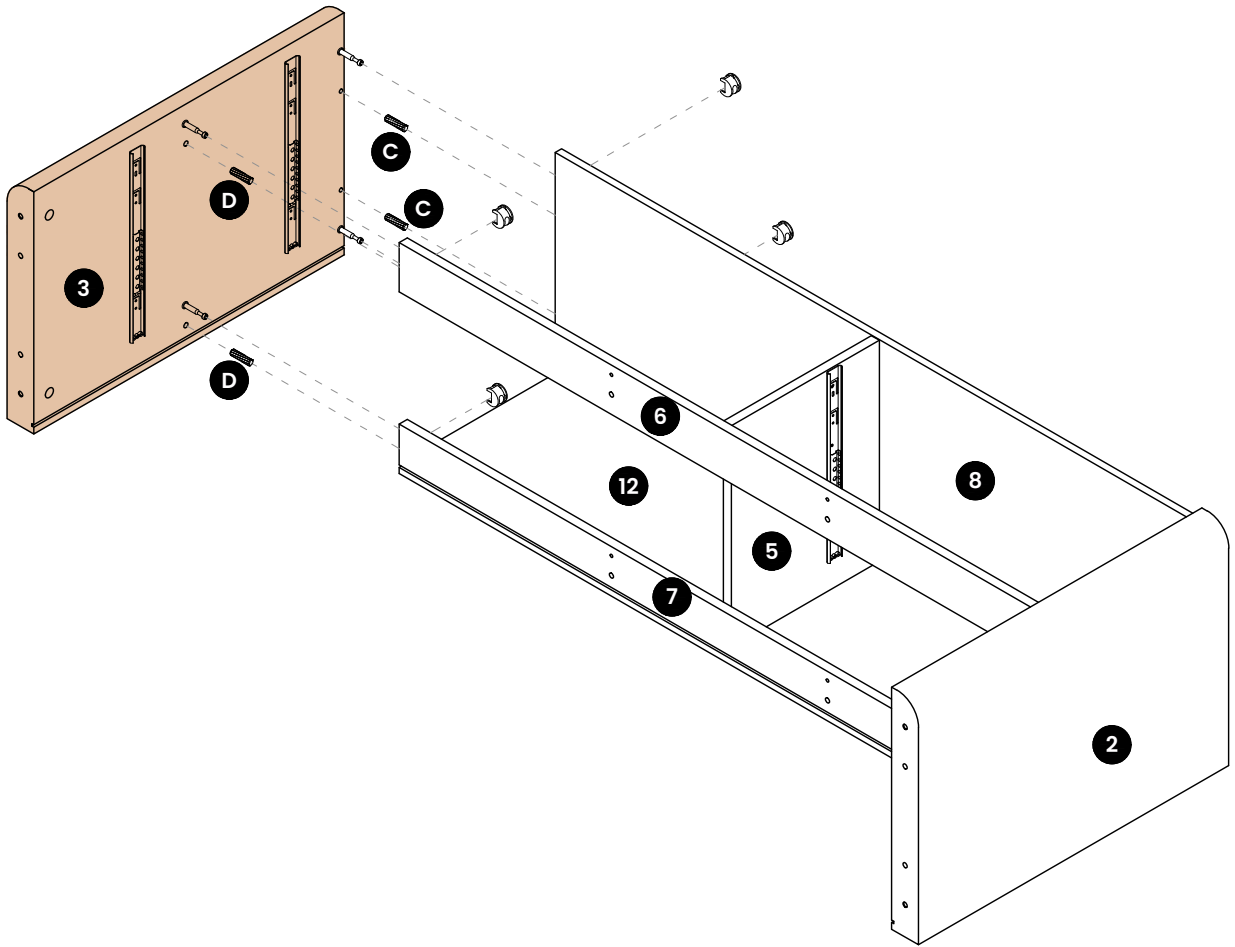
**STEP 8**

STEP 9

 **A** X4

 **C** X2

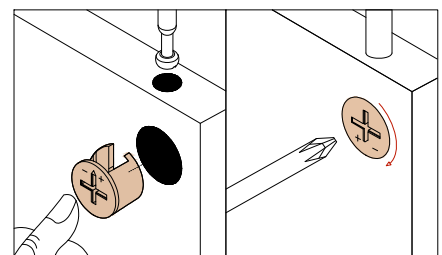
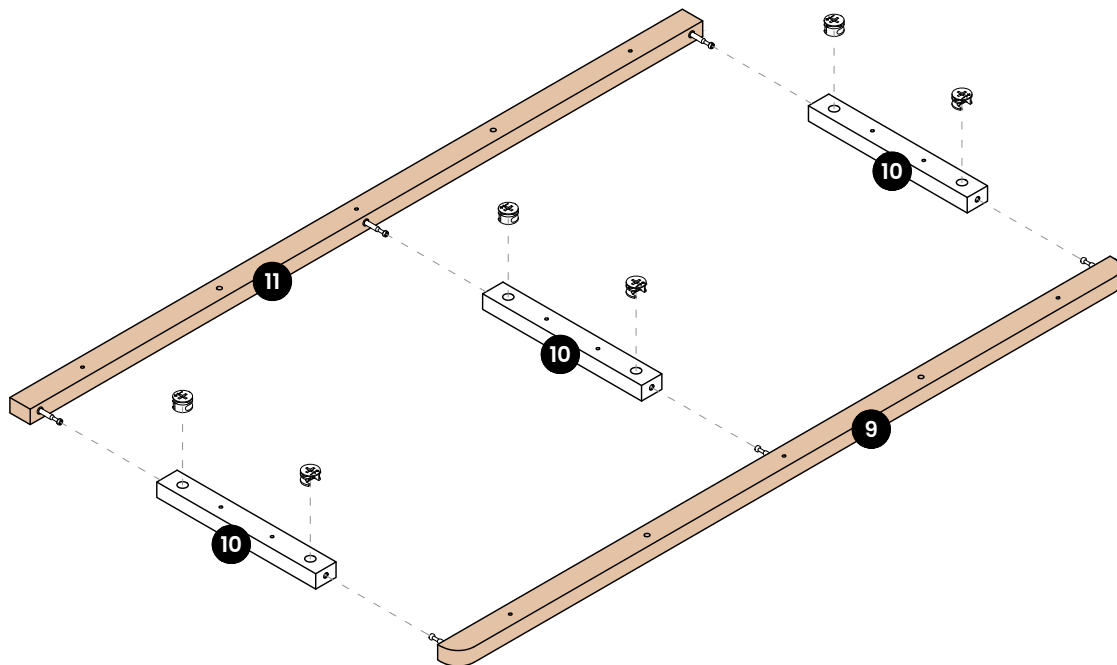
 **D** X2



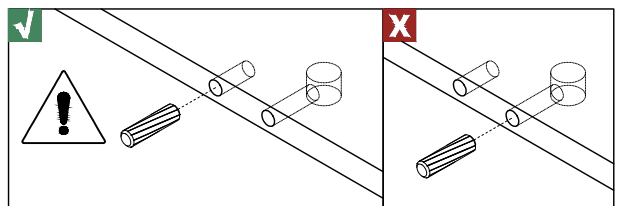
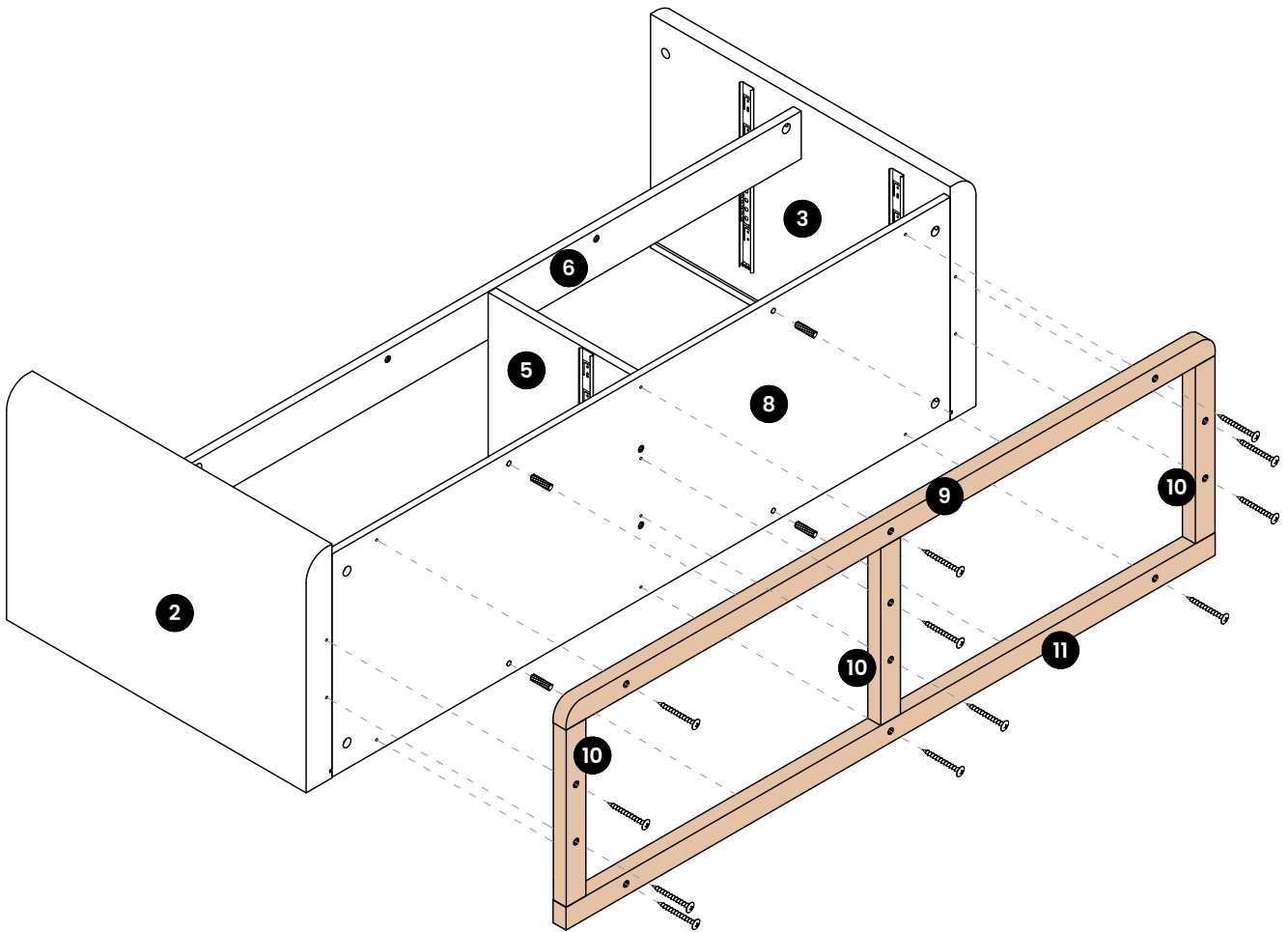
## STEP 10



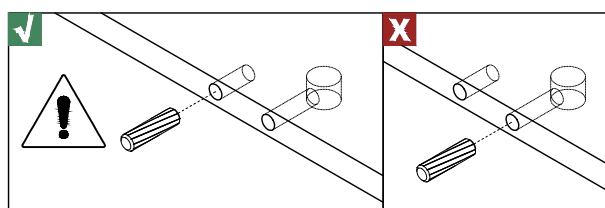
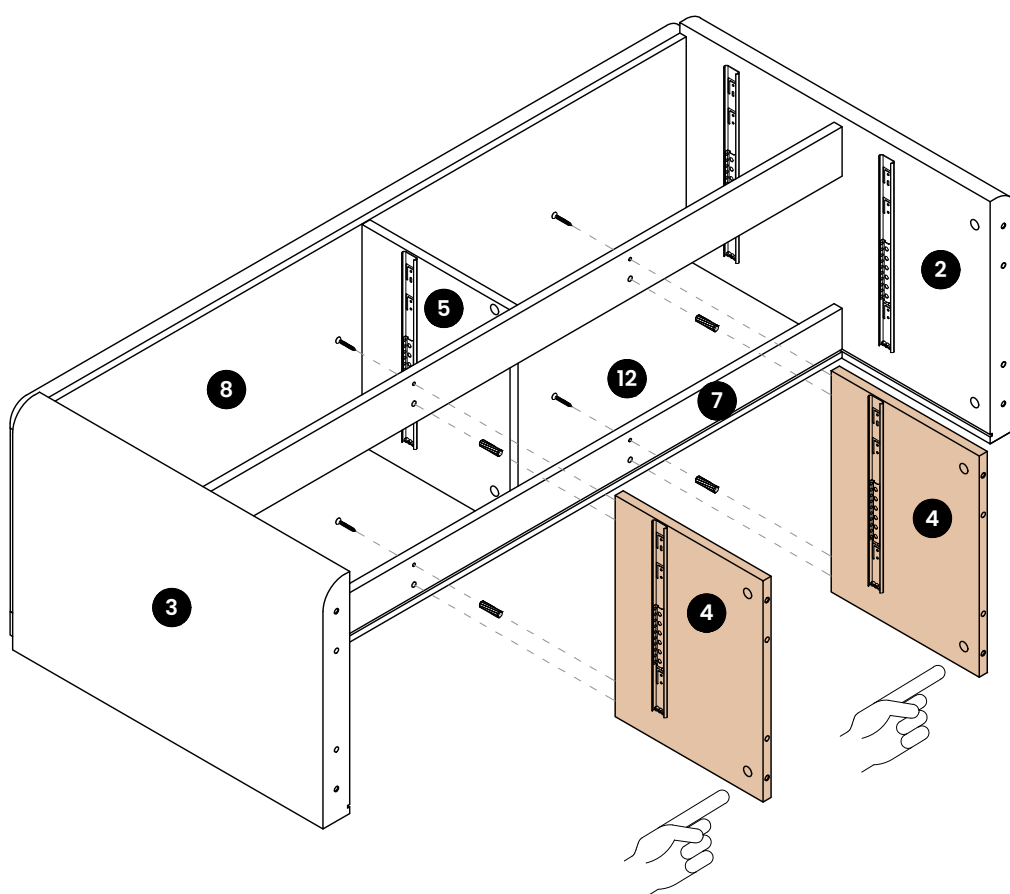
**A** X6

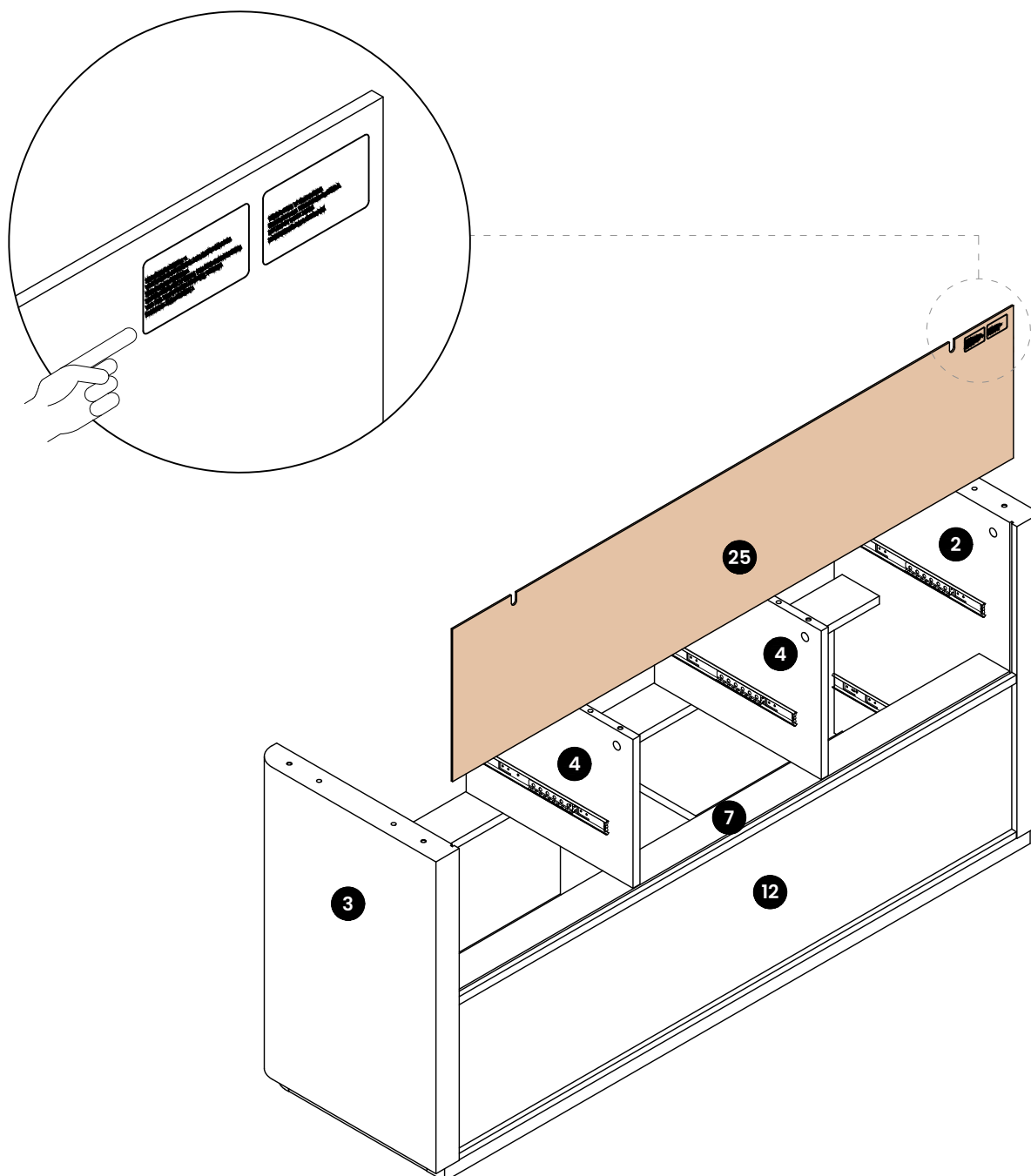


STEP 11





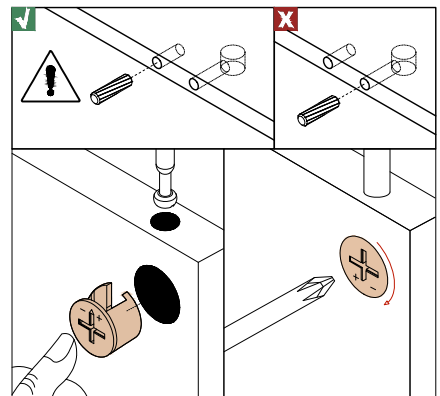
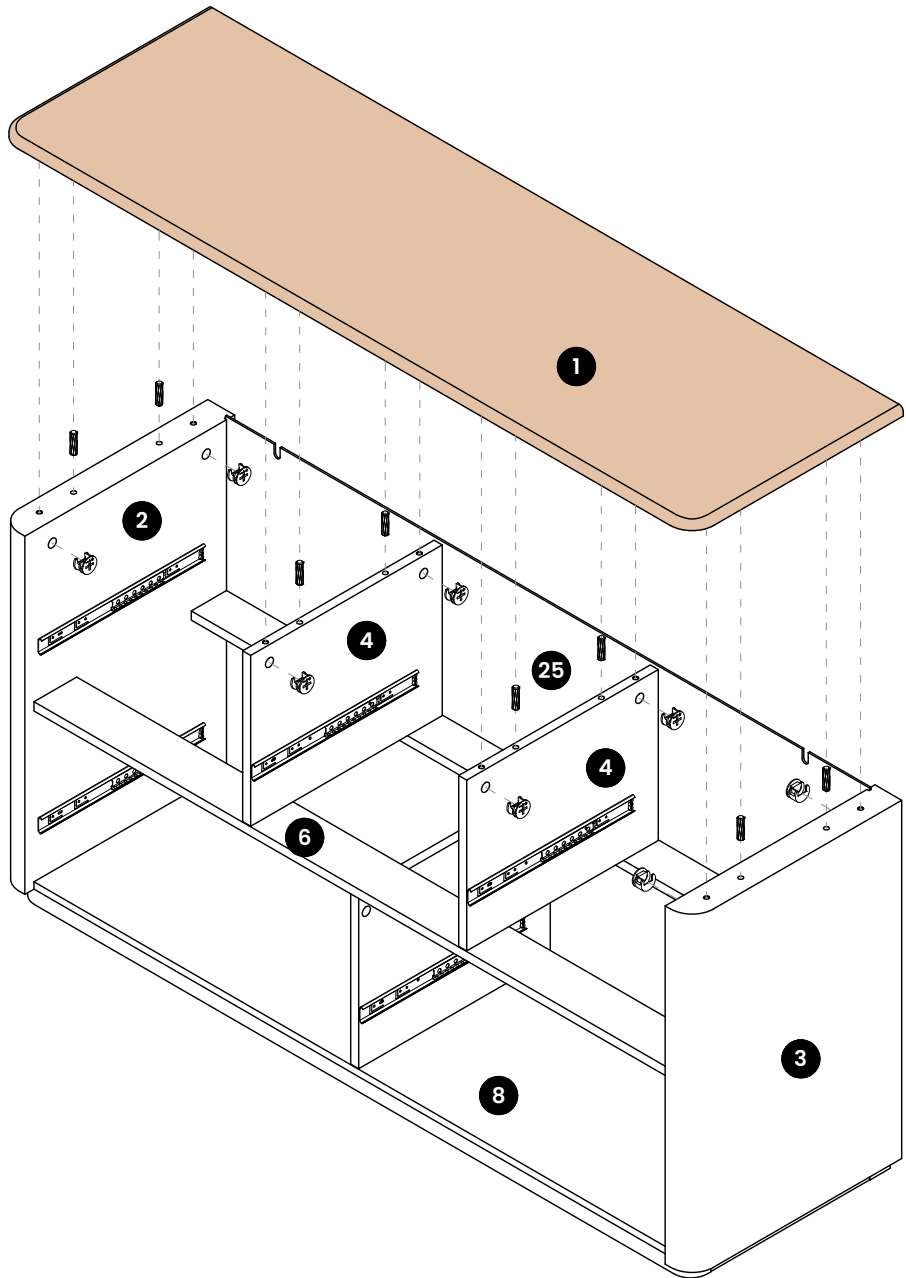
STEP 12

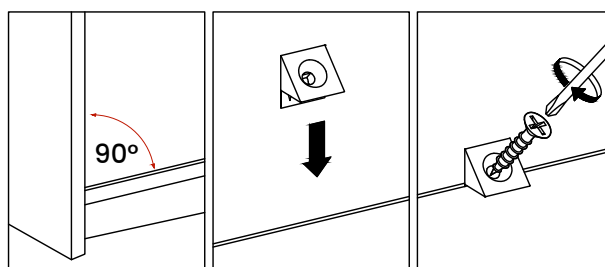
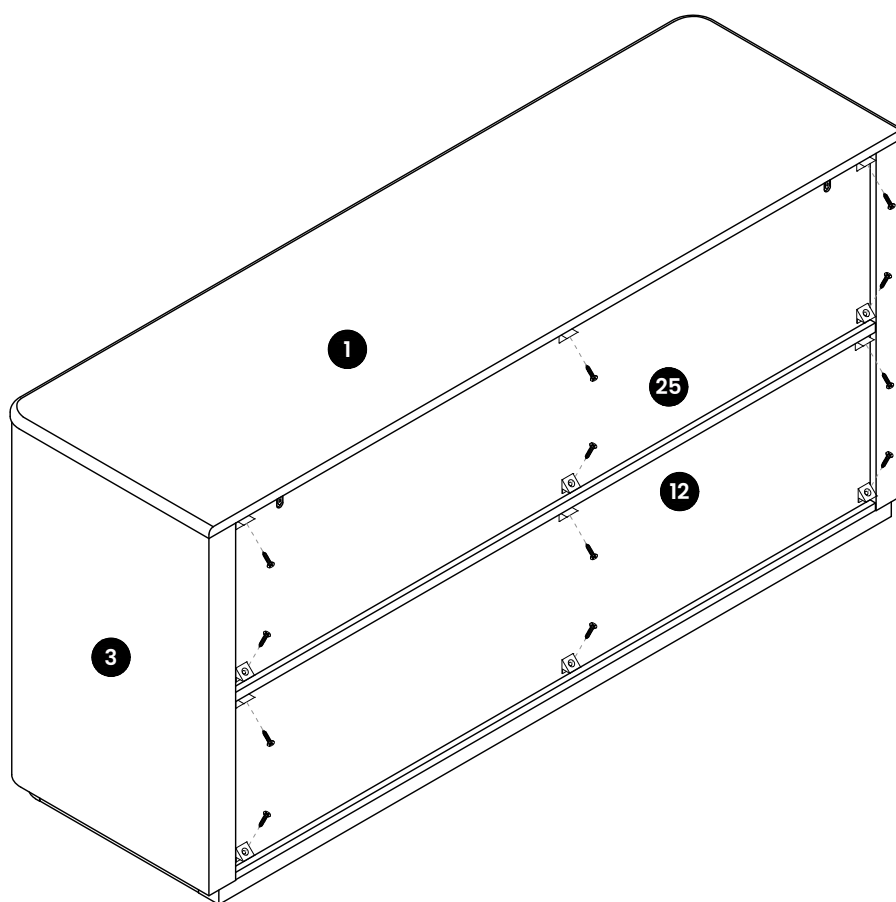


**STEP 13**

STEP 14

-  **A** X8
-  **D** X8



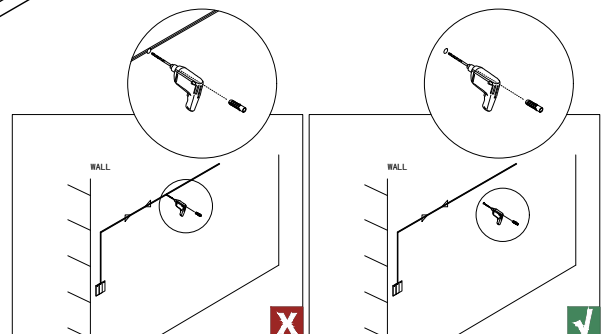
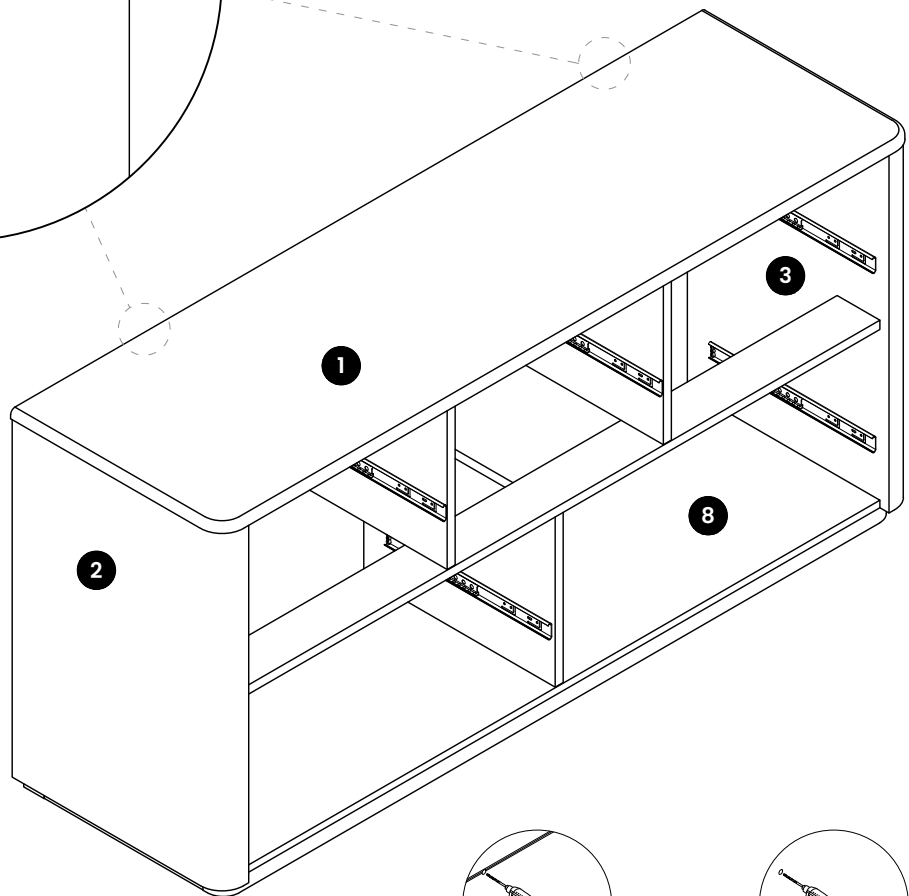
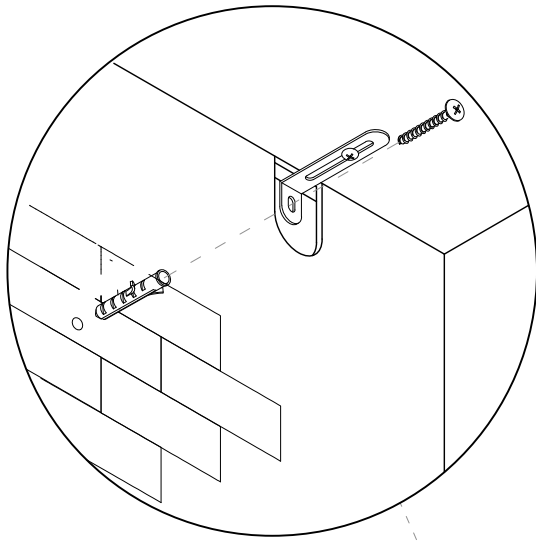
**STEP 15**

**STEP 16****Wall-Mounted Installation**

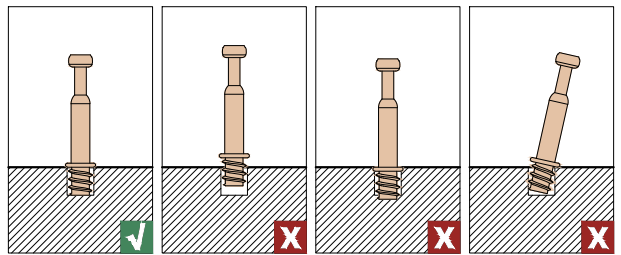
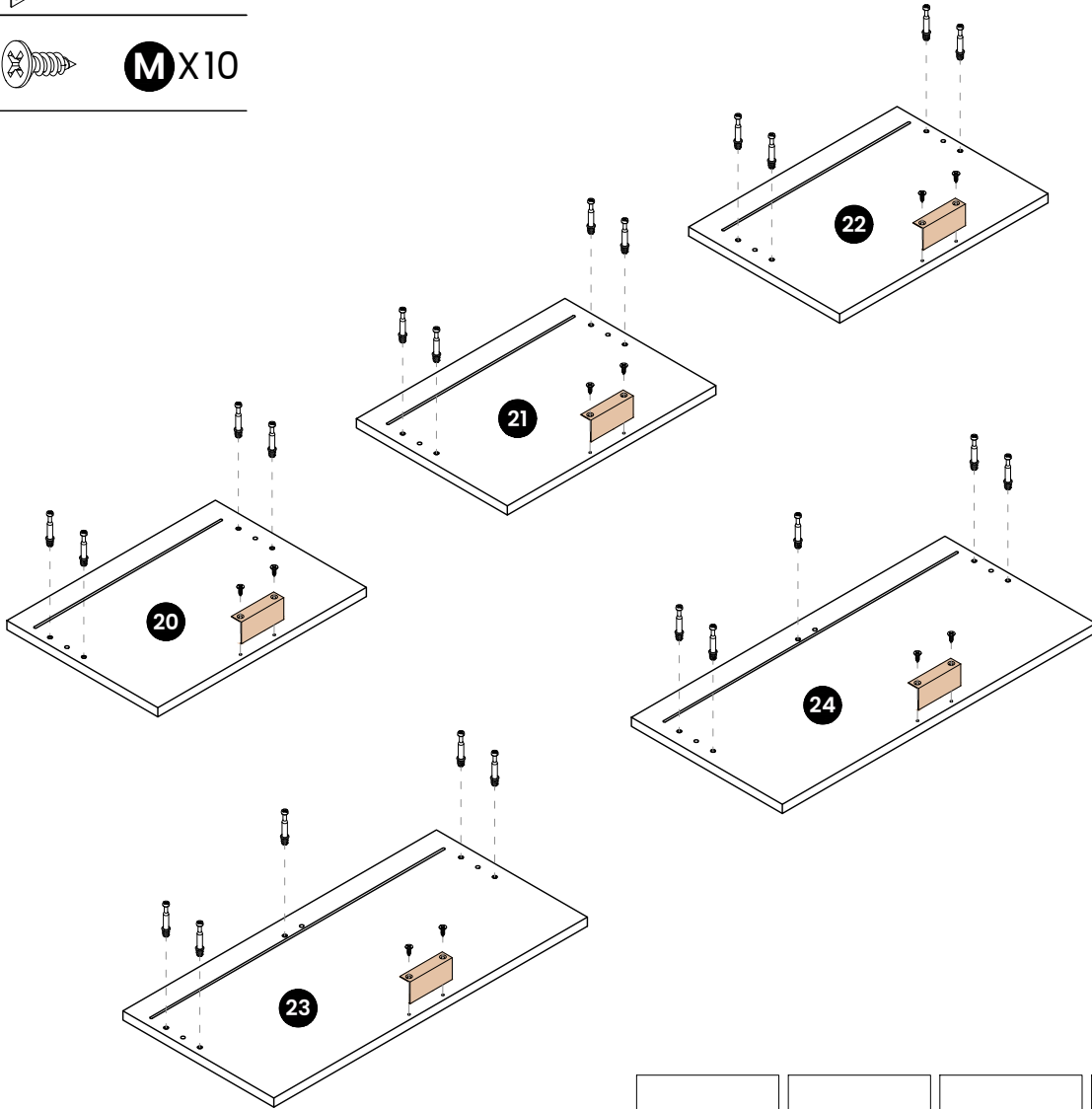
Step 1: Identify the correct location for the anti-tipping device on the wall and make a clear mark.

Step 2: Drill a hole, then fix the expansion plug firmly in the wall.

Step 3: Use screws to attach the L-shaped angle bracket to the wall.

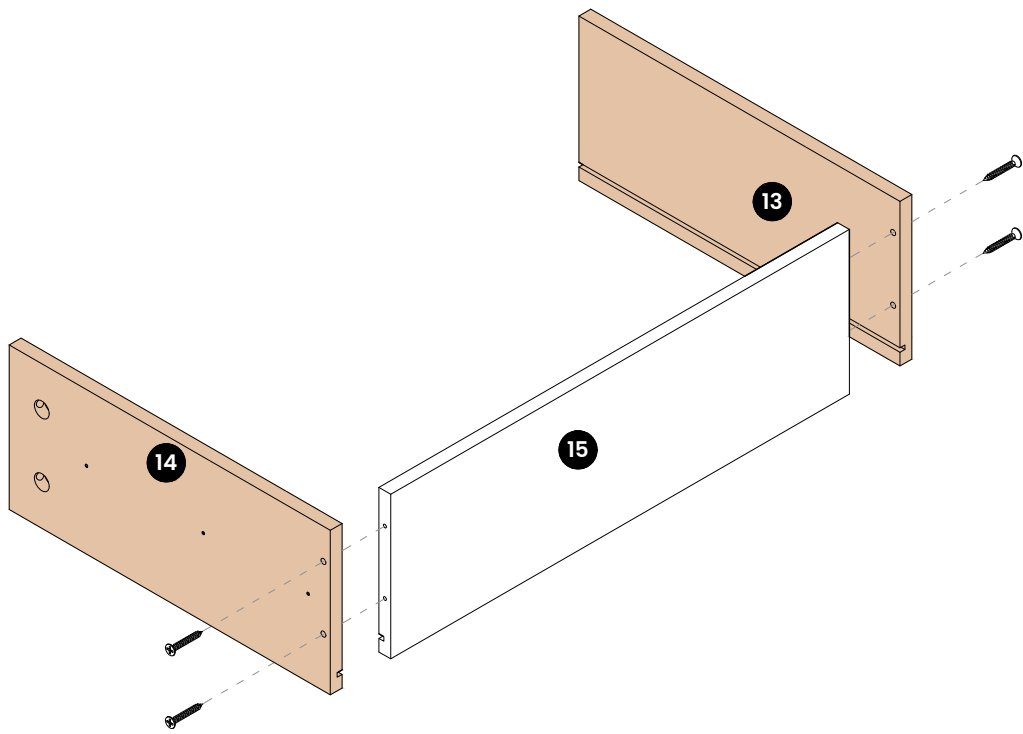
 **H** X2 **J** X2

STEP 17



Install the screw correctly to secure the screw.

## STEP 18



**x3**

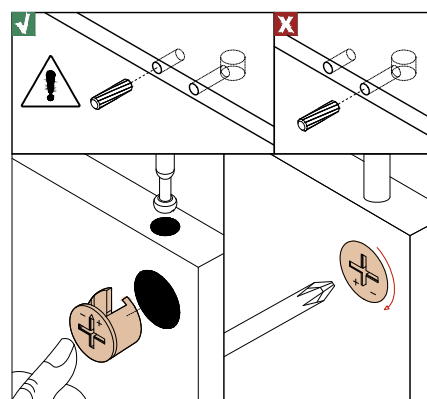
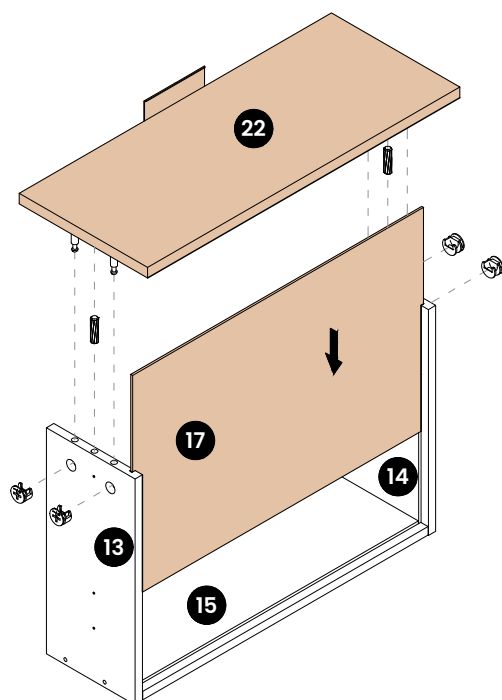
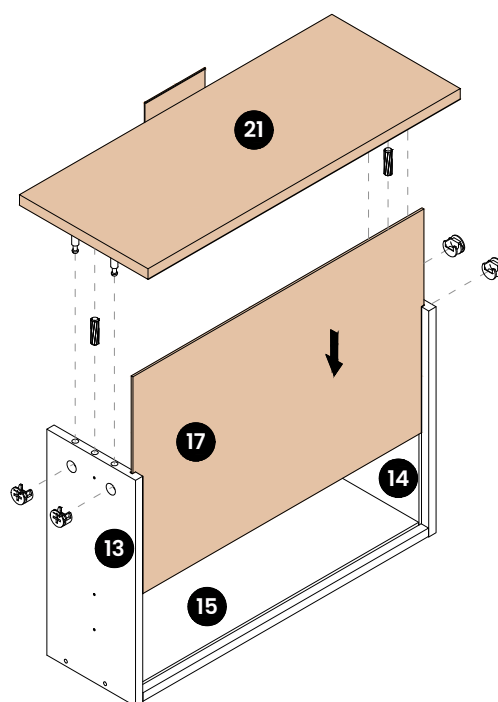
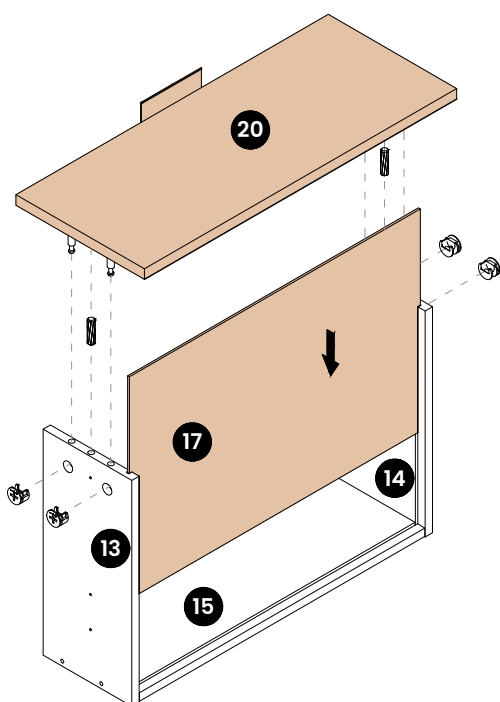
## STEP 19



**A** X12



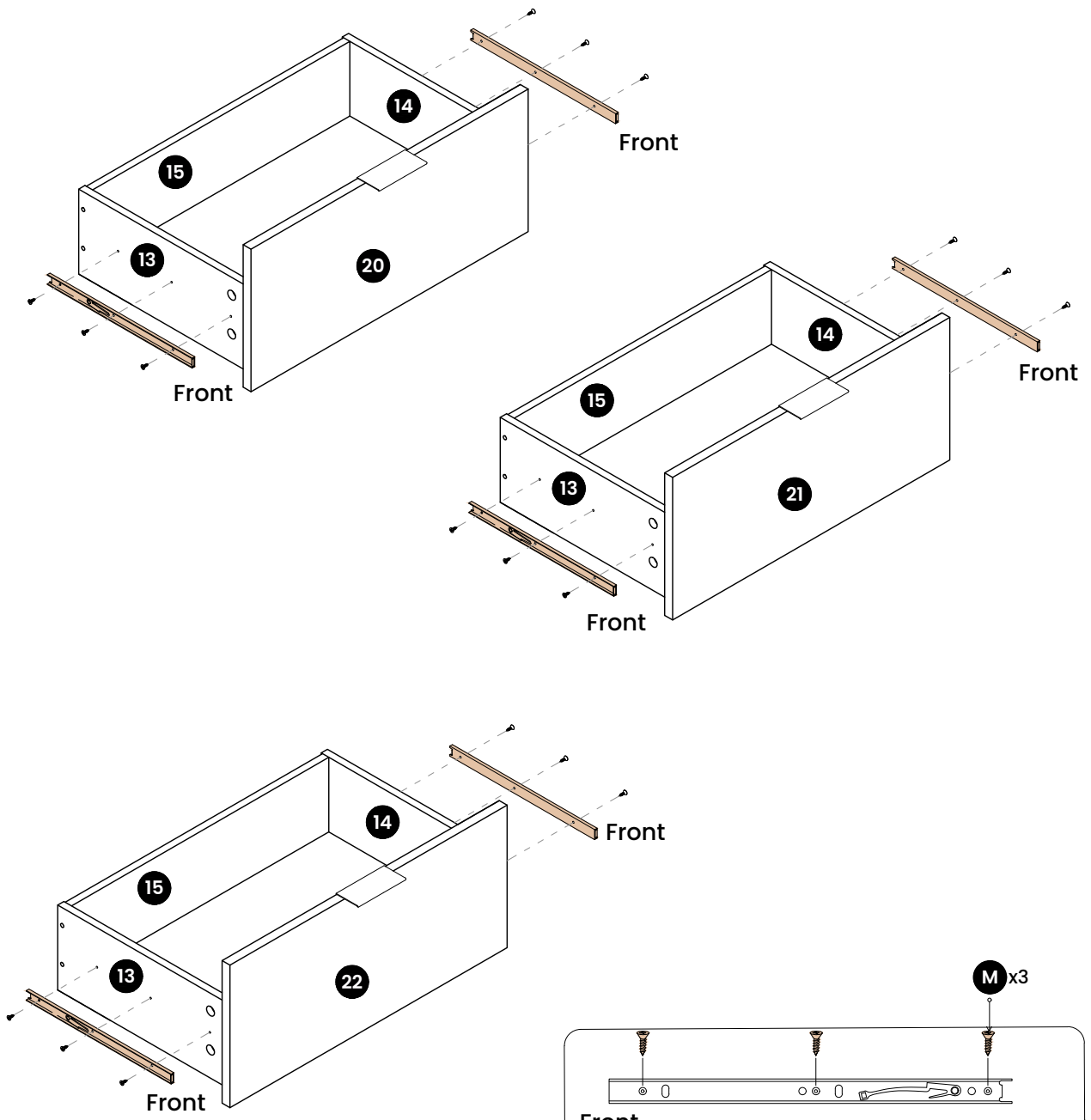
**C** X6




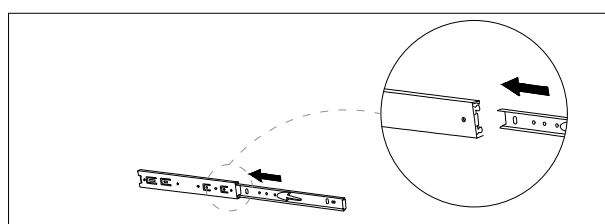
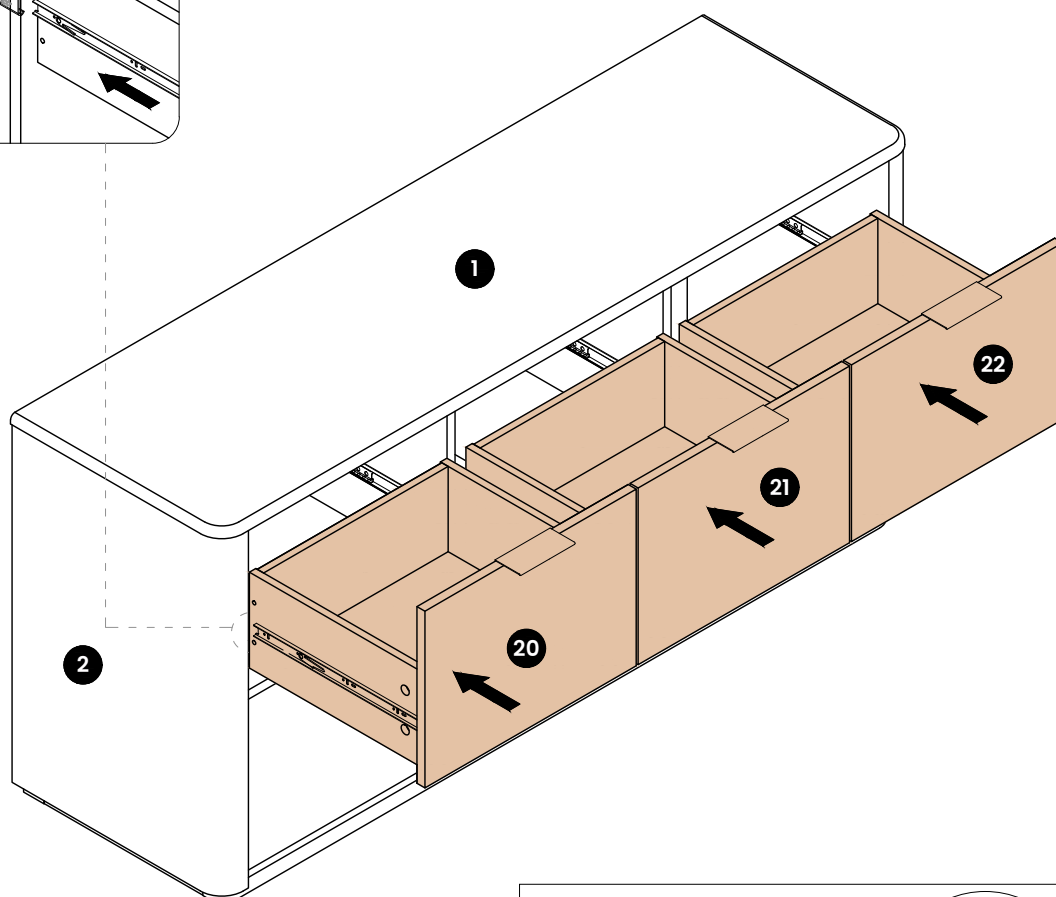
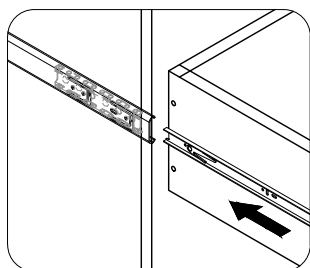
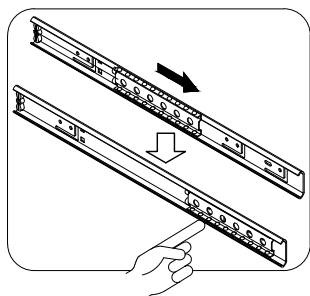
STEP 20

 **M** X18

 **N** X3



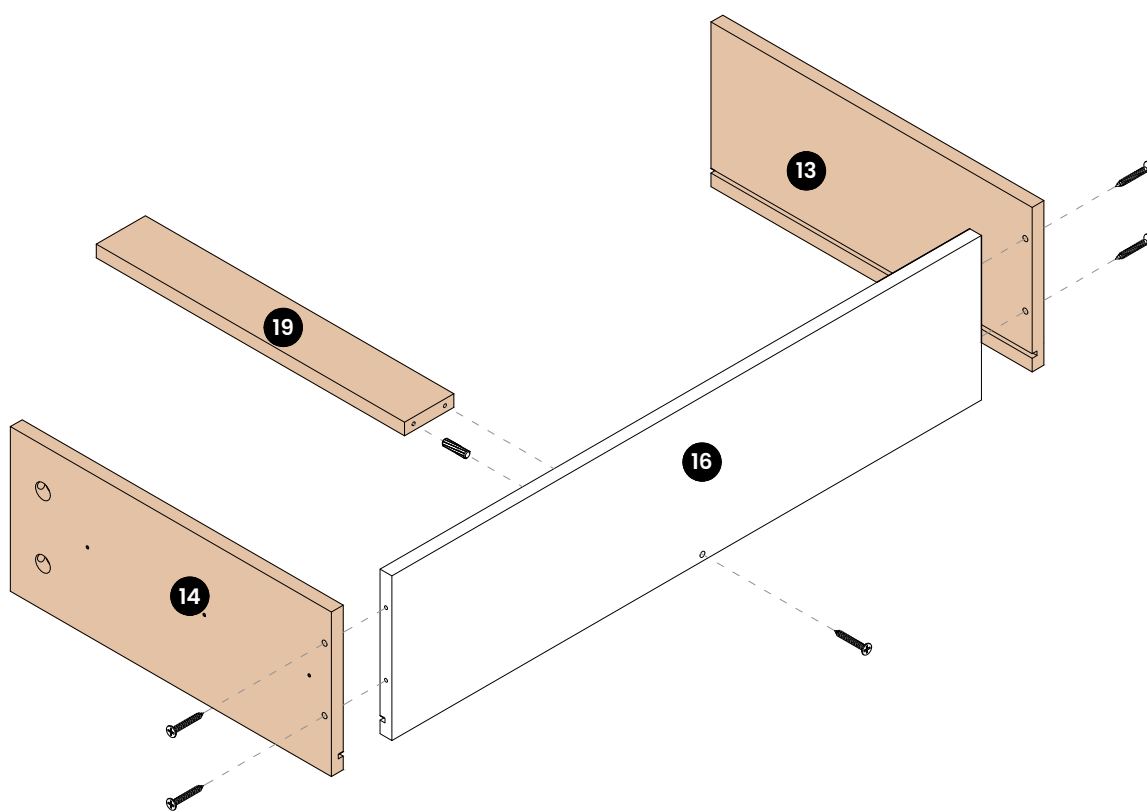
 Pay attention to the position of the screws

**STEP 21**

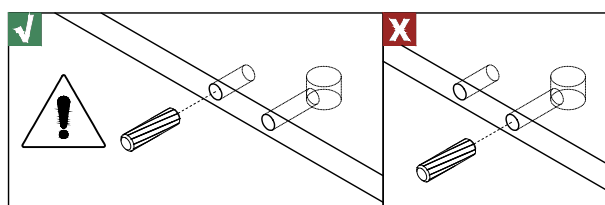
## STEP 22

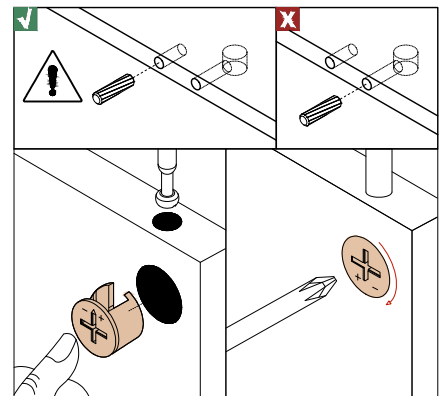
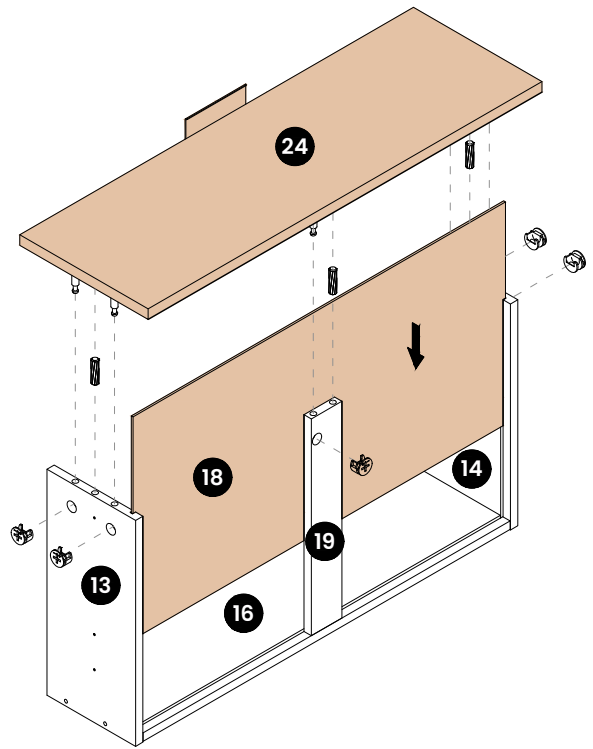
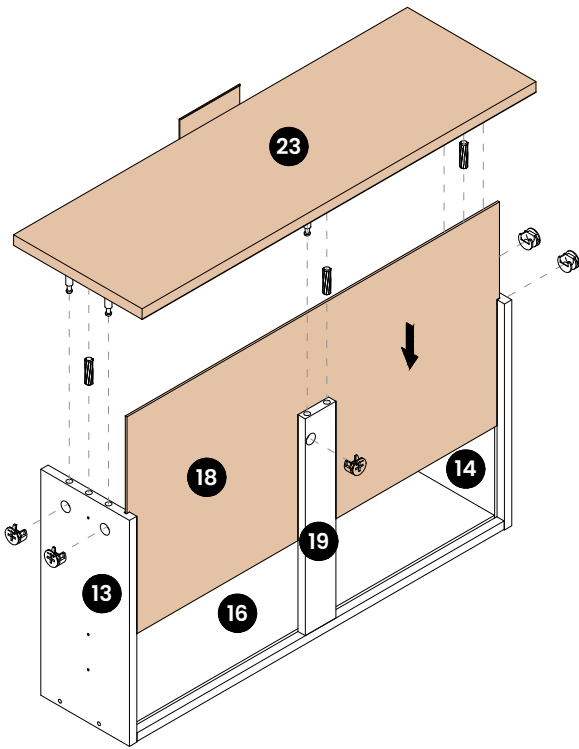
 **E** X10

 **C** X2



**x2**

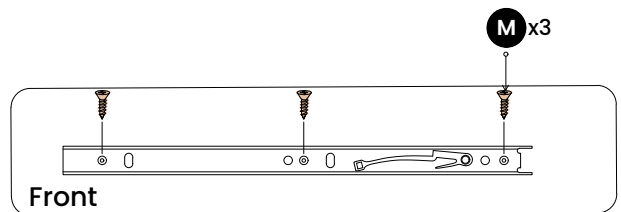
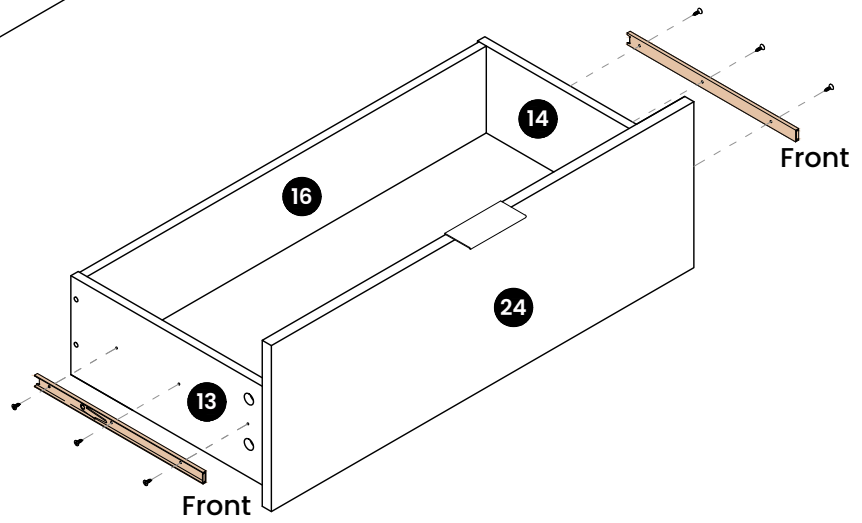
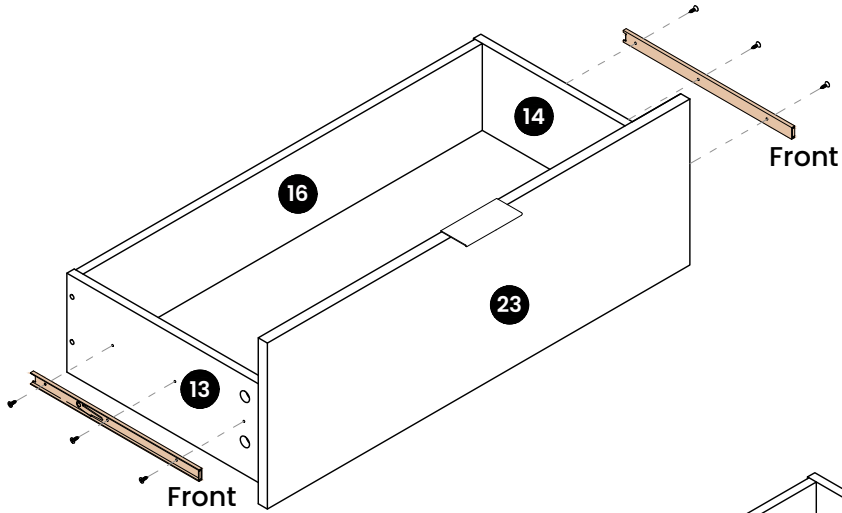



**STEP 23****A** X10**C** X6

STEP 24

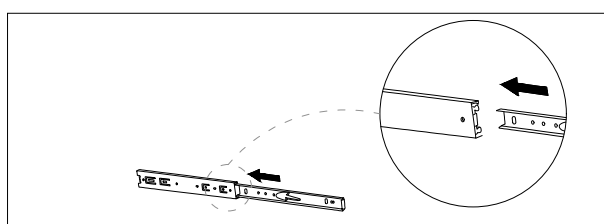
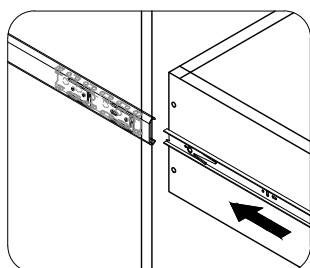
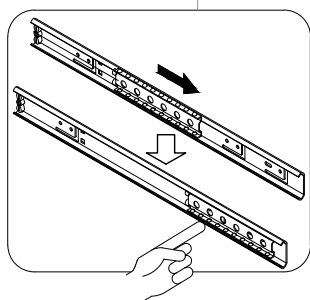
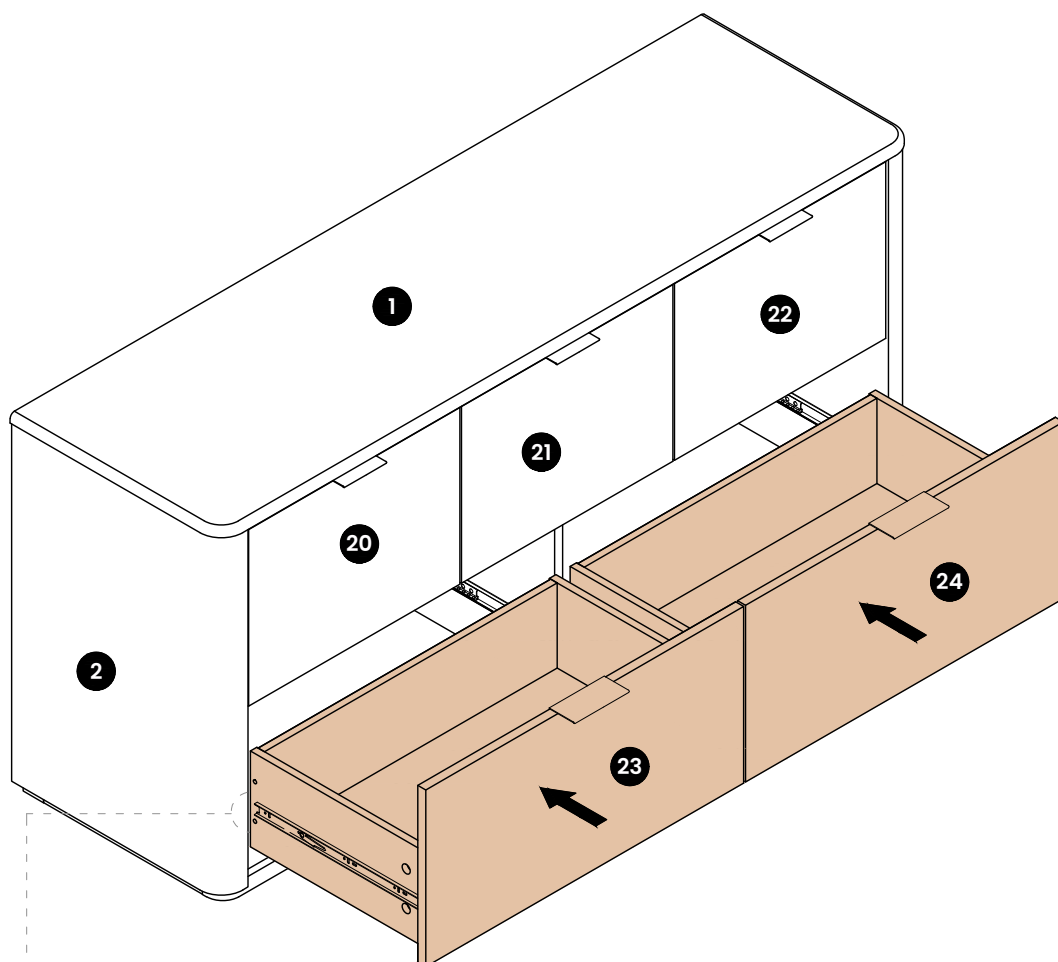
 **M** X12

 **N** X2



 Pay attention to the position of the screws

## STEP 25





After-Sales Service Hotline: (800) 661-5928