

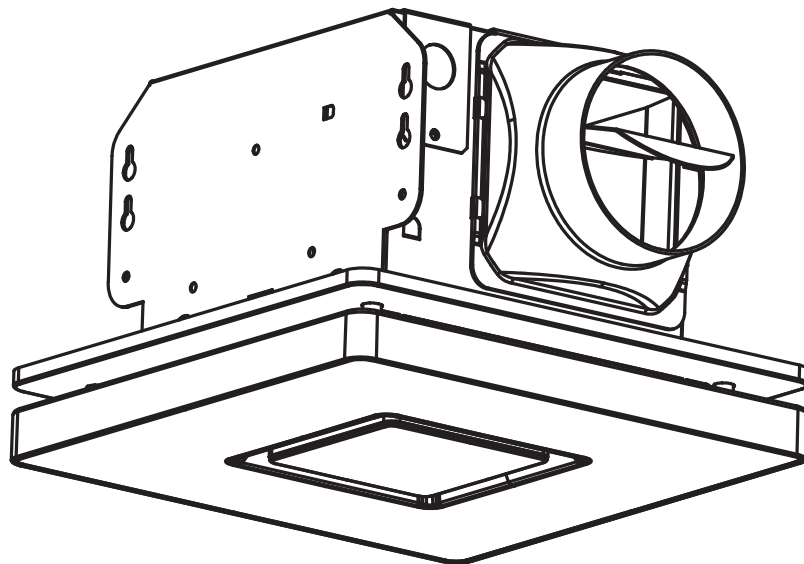


USE AND CARE GUIDE

**AK1390N2-W
AK1390N2-B
AK1390N2-S**

Ventilation Fan with Light

READ AND SAVE THESE INSTRUCTIONS



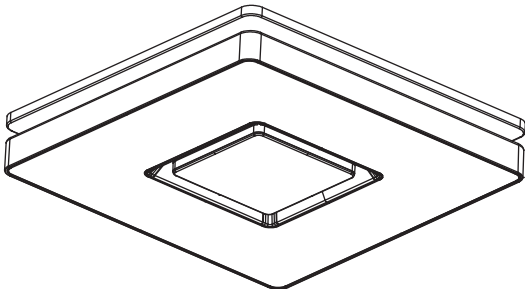
Questions, problems, missing parts? Before returning to the store,
call AKICON Customer Service
8 a.m.-6 p.m., EST, Monday-Friday
TOLL FREE: +1 (888) 828 2025
service@akiconhvac.com
akiconhvac.com



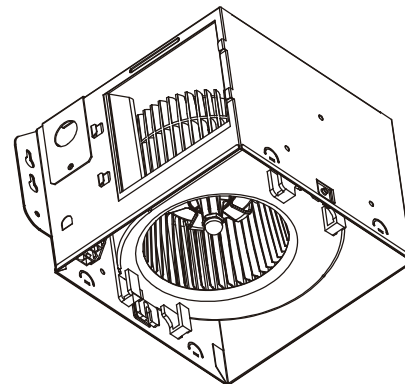
TABLE OF CONTENTS

Safety Information.....	3
Pre-Installation.....	4
Product Specifications.....	5
Wiring Diagram.....	5
Attic Installation Instruction	6-9
No Attic Installation Instruction.....	9-13
Care and Maintenance.....	13
Troubleshooting.....	14
Limited 3-Year Warranty.....	14

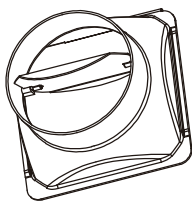
Package contents



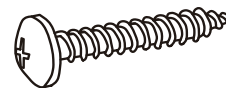
1 x light components



1 x fan housing



1 x duct connector



6 x long wood screws

Safety Information

READ AND SAVE THESE INSTRUCTIONS

1. **WARNING — TO REDUCE THE RISK OF FIRE ELECTRIC SHOCK OR INJURY TO PERSONS, OBSERVE THE FOLLOWING:**
 - a. Use this unit only in the manner intended by the manufacturer. If you have questions, contact the manufacturer.
 - b. Before servicing or cleaning unit, switch power off at service panel and lock the service disconnecting means to prevent power from being switched on accidentally. When the service disconnecting means cannot be locked, securely fasten a prominent warning device, such as a tag, to the service panel.
2. This ventilation fan is approved for use over a bathtub or shower when installed in a GFCI protected circuit. Do not use unapproved fans over a bathtub or shower that is not approved for that application.
3. Installation work must be carried out by a qualified person(s) in accordance with all local and safety codes including the rules for fire-rated construction.
4. Always vent fans to the exterior and in compliance with local codes.
5. Install ductwork in a straight line with minimal bends.
6. Use 120 V, 60 Hz for the electrical supply and properly ground the unit. Follow all local safety and electrical codes.
7. Do not use this fan with any solid-state control device; such as a dimmer switch. Solid-state controls may cause harmonic distortion, which can cause a motor humming noise.
8. When cutting or drilling into wall or ceiling, do not damage electrical wiring and other hidden utilities.
9. To reduce the risk of fire or electric shock, do not block air entry grill.
10. Sufficient air is needed for proper combustion and exhausting of gases through the flue (chimney) of fuel burning equipment to prevent back drafting.
11. Ducted fans must always be vented to the outdoors.
12. Mount with the lowest moving parts at least 2.5 meters above floor or grade level.
13. To reduce the risk of fire or electric shock, do not use this fan with any solid-state speed control device.

Follow the heating equipment manufacturer's guideline and safety standards such as those published by the National Fire Protection Association (NFPA), and the American Society for Heating, Refrigeration and Air Conditioning Engineers (ASHRAE), and the local code authorities.



WARNING Not suitable for use as a range hood.



NOTE Make sure duct work size is a minimum of the discharge. Do not reduce. Reducing the duct size can increase fan noise.



CAUTION For general ventilating use only. Do not use to exhaust hazardous or explosive materials and vapors.



IMPORTANT You may want to consult with a professional electrician regarding the wiring of your ventilation fan.



CAUTION Do not install in locations where the air temperature will exceed 104°F (40°C).



WARNING To reduce the risk of electric shock, please disconnect the electrical supply circuit to the fan before installing light kit.



IMPORTANT Exercise care to not damage existing wiring when cutting or drilling into walls or ceilings.



CAUTION This product must be properly grounded.

Pre-Installation

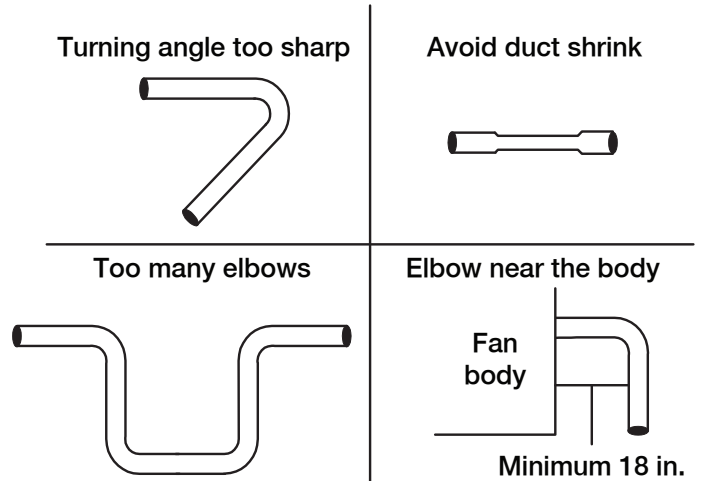
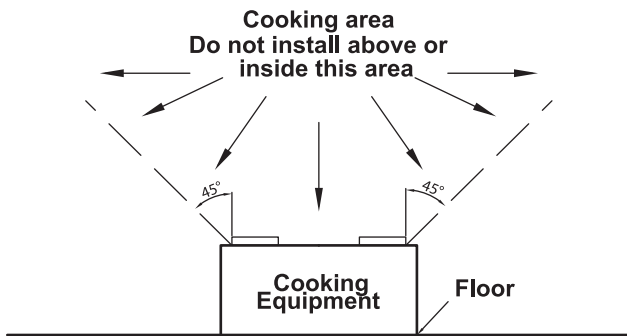
PLANNING FOR SUCCESSFUL INSTALLATION

When installing the ventilation fan in a new construction site, install the main body of the fan and duct work during the rough-in construction of the building. The grille should be installed after the finished ceiling is in place.

When installing in existing construction, use the dimensions on page 7 to determine the required hole size for the ceiling. Grille edges should overlap finished ceiling.

Not for use in cooking area - see installation instructions.

Do not install ventilation fan in areas where the duct work will require configuration as shown.

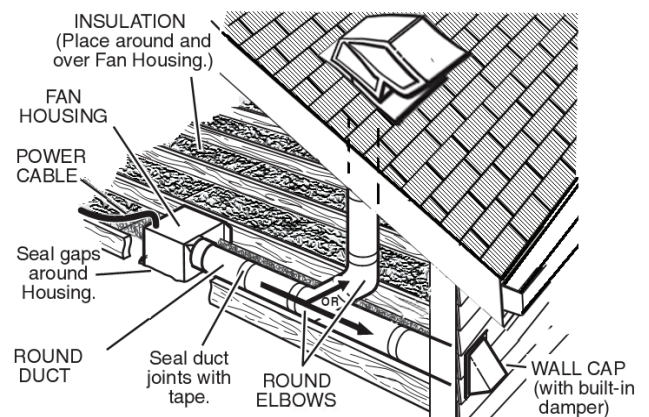
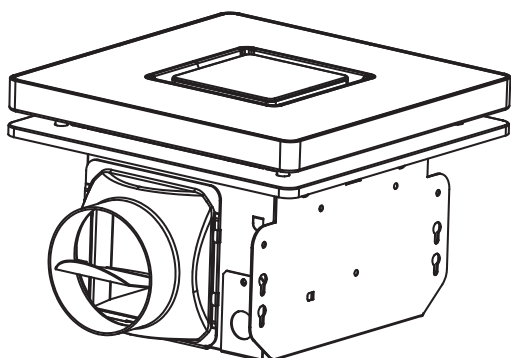


IMPORTANT The ducting from this fan to the outside of the building has a strong effect on the airflow, noise and energy use of the fan. Use the shortest, straightest duct routing possible for best performance, and avoid installing the fan with smaller ducts than recommended. Insulation around the ducts can reduce energy loss and inhibit mold growth. Fans installed with existing ducts may not achieve their rated airflow.

INSTALLATION OPTIONS

We recommend installing the ventilation fan by securing the main body of the fan against one ceiling joist and using the hanger bars as necessary for support of the adjoining joist.

There are multiple installation configurations possible for this ventilation fan. Not all configurations are shown. If your installation requires a variation other than those shown, consult with a licensed contractor to determine the best installation for your project. If you are replacing an existing fan, ensure that the new grille will adequately cover the existing opening.



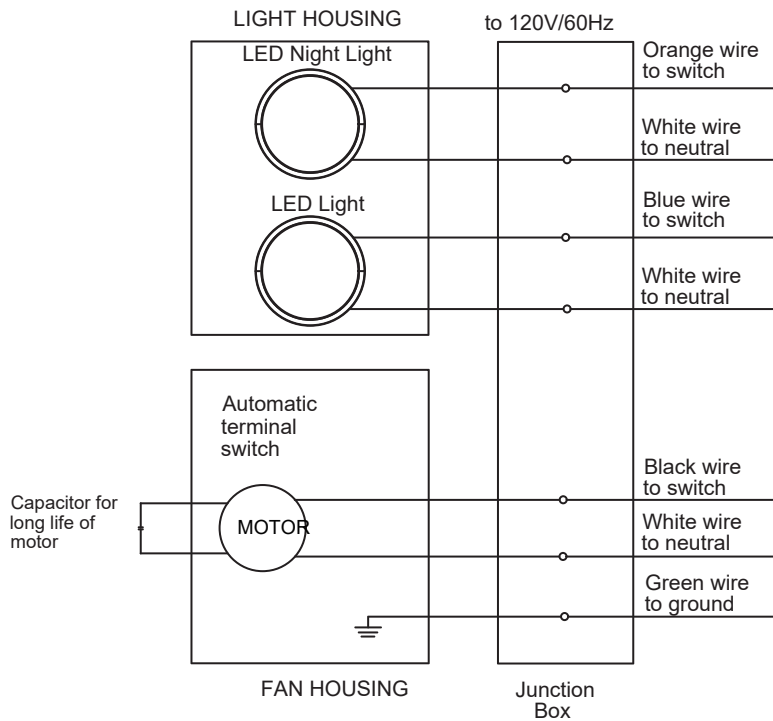
Pre-Installation

PRODUCT SPECIFICATIONS

SPECIFICATIONS
Airflow - 90 CFM
120 V, 60 Hz
Fan Power - 26 W
Duct diameter - 4 in.
Weight - 6.17LBS

SPECIFICATIONS
Sound output - 1.5 Sones
LED Light - 15W
CCT - 2700K/4000K/5500K
Lumen - 1000lm
Night Light - 5W - 2700K

WIRING DIAGRAM



QUICK CONNECTOR INSTRUCTIONS

To be sold only with installation instructions.

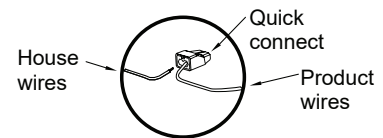
WARNING: Wiring must comply with all applicable electrical codes. Turn OFF power before removing or installing connectors.

WARNING: COPPER TO COPPER ONLY. Do not use aluminum wire.

CAUTION: Accessory part (quick connector) should meet installation instructions below.

NOTE: The connector is reusable on solid wires of the same wire gage or smaller. Do not reuse the connector on stranded wires.

- Strip wires 3/8 in. - 1/2 in.
- Grip the wire firmly and push the stripped end of the wire into the open port of the connector. Use only one conductor per port.
- Verify the stripped end of the wires is fully inserted to the back of the connector.



NOTE: Important wire information. Maximum temperature rating 221°F (105°C). 600 volts maximum for building wire and 1,000 volts maximum for building wire and 1,000 volts maximum in signs and lighting fixtures. The acceptable wire range includes: Solid: 12-18 AWG.

Attic Installation Instruction

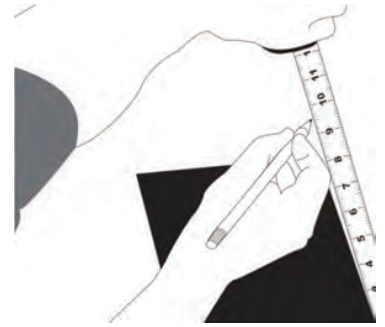
CAUTION:

1. Make sure power is switched off at service panel before installation.
2. Do not install in cooking area.
3. Choose the location of your fan to ensure the best air and sound performance. It is recommended that the length of ducting and the number of elbows be kept to a minimum, and that insulated hard ducting be used. Larger duct sizes will reduce noise and airflow restrictions.
4. Fan must not be installed in a ceiling thermally insulated to a value greater than R40.

STEP 1

Measure the ceiling opening

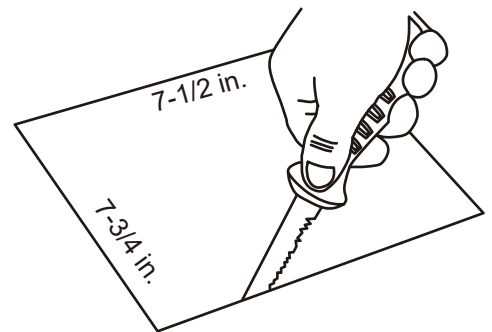
Measure the opening to ensure it is large enough to accommodate the new fan housing (7-1/2 in. x 7-1/4 in.).



STEP 2

Cut the opening

If this fan is not replacing an old fan, be sure to cut a 7-1/2 in. x 7-3/4 in. opening for the fan housing.

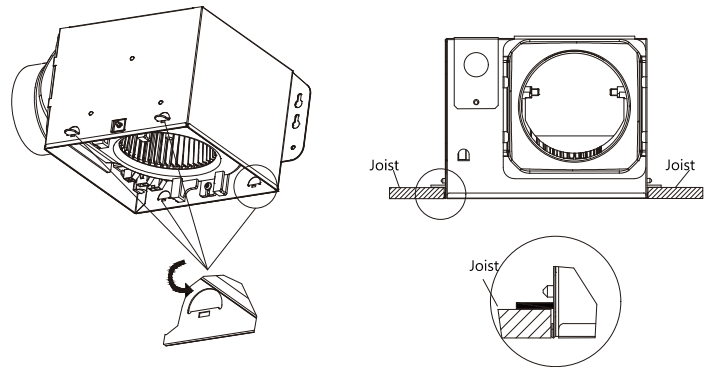


STEP 3

Place the fan housing

Insert the housing through the existing hole in the ceiling.

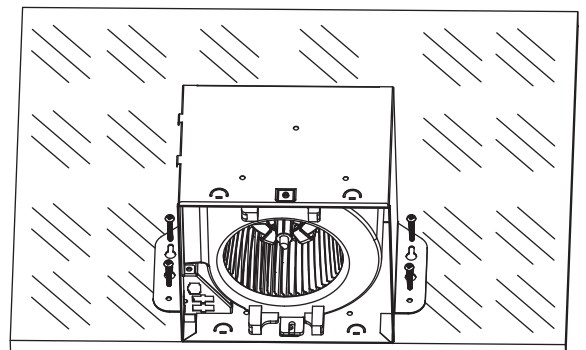
Then bend the four ears to place the fan housing on the ceiling. The fan housing should be level and perpendicular to the joist.



STEP 4

Mount the fan housing

Mount the fan housing to the joist using four long wood screws where indicated.

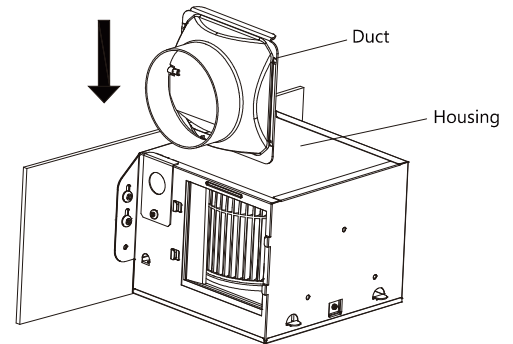


Attic Installation Instruction

STEP 5

Attach the duct connector to the fan housing

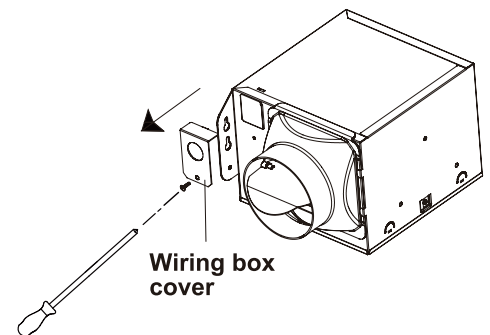
Attach duct connector to the fan housing as shown in the drawing.



STEP 6

Remove the junction box

Remove the wiring box cover from the housing.



STEP 7

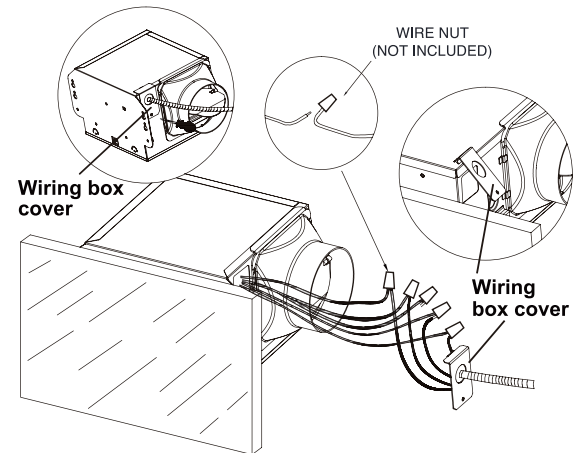
Connect the house and fan wires

Connect the wire through the hole and into the junction box(not included). Using a wire nut(Not included), secure 120VAC house wiring from the wall switch to the fan as shown in the wiring diagram. 14AWG is the smallest conductor that shall be used for branch-circuit wiring.



CAUTION: Make sure power is switched off at service panel before starting installation.

Push the wires back through the hole. Reattach the wiring box cover.

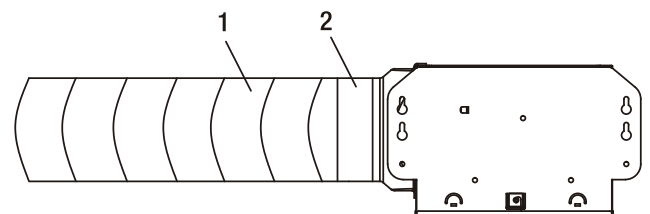


STEP 8

Install the duct

Install a circular 4in. duct(Not included) and secure it with duct tape or clamps(neither included). Finish ceiling work. The ceiling hole should be aligned with the edge of the fan housing.

Note: Against the use of rigid metal conduit, recommending flexible conduit only.

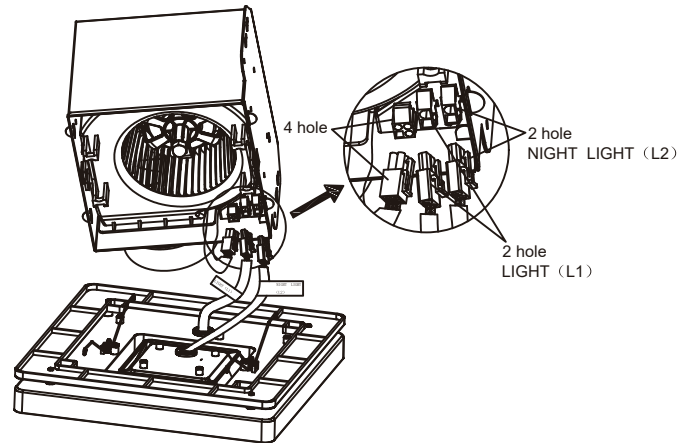


Attic Installation Instruction

STEP 9

Plug fan and light in the power

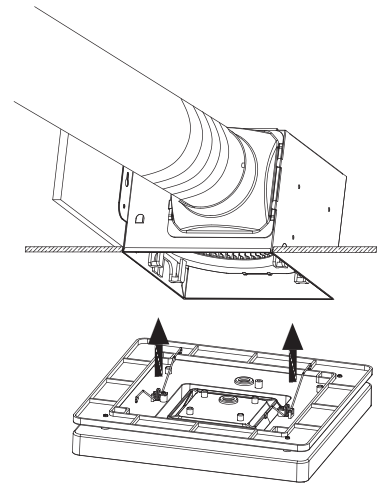
Plug the motor assembly back into the power unit. Plug the main LED light and Night light into the proper power units respectively as the label indicated.



STEP 10

Install the light panel

Attach LED panel by pinching the mounting springs and inserting them into the narrow rectangular slots in the fan housing. Test the unit.



STEP 11

Choose proper wall-mount switch

Connect properly the wires with Three-rocker wall-mounting switch.

Note: Ordinary rocker switches can also be used. If you wish to use our switches to gain more functions, you might be interested in the following options.

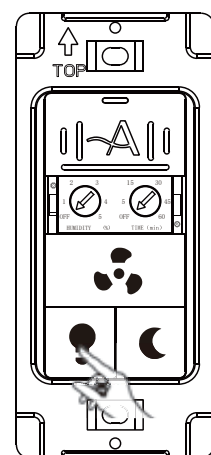
1. Akicon's Switch AK-SW-FLHT is recommended (Not Included)

-For controlling fan: Turn on/off by the first rocker

-For controlling main light: Short press the second rocker to toggle lighting on/off.

-For controlling night light: Turn on/off by the third rocker.

-For changing Color Temperature Control: Toggle the second rocker On/Off/On to change the color temperature. After 7s off, the light keeps the last memory when turned on/off again.



Attic Installation Instruction

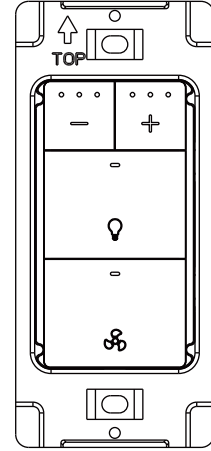
2. Akicon's Switch AK-SW-FLDN is recommended (Not Included)

-For controlling fan: Short press fan button to toggle on/off.

-For controlling main light: Short press the light button to toggle lighting on/off. (Long press for 3 seconds to enter or exit night light mode)

-For controlling night light: Long press for 3 seconds to enter or exit night light mode.

-For changing Color Temperature Control: Toggle the light button On/Off/On to change the color temperature. After 7s off, the light keeps the last memory when turned on/off again.



No Attic Installation Instruction

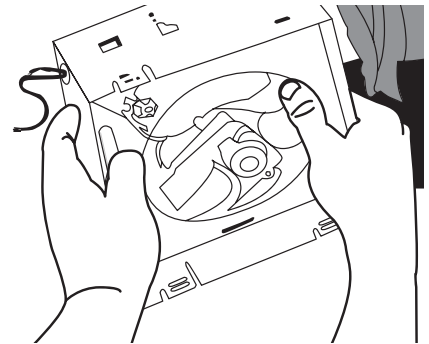
CAUTION:

1. Make sure power is switched off at service panel before installation.
2. Do not install in cooking area.
3. Choose the location of your fan to ensure the best air and sound performance. It is recommended that the length of ducting and the number of elbows be kept to a minimum, and that insulated hard ducting be used. Larger duct sizes will reduce noise and airflow restrictions.
4. Fan must not be installed in a ceiling thermally insulated to a value greater than R40.

STEP 1

Remove the existing fan

Remove the old fan from the ceiling.



STEP 2

Measure the ceiling opening

Measure the opening to assure it is large enough to accommodate the new fan body (7-1/2 in 7-3/4 in).



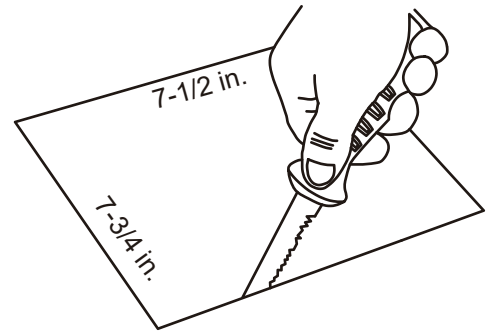
NOTE: 7-1/2 in. side of opening should be flush with the joist.

No Attic Installation Instruction

STEP 3

Enlarge the opening

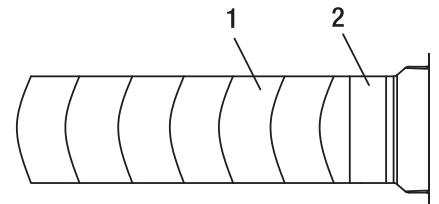
If this fan is not replacing an old fan, be sure to cut a 7-1/2 in. x 7-3/4 in. opening for the fan body(A). ENSURE THE 7.30 IN. SIDE OF OPENING IS FLUSH WITH THE JOIST FOR INSTALLATION FROM BELOW.



STEP 4

Attach the duct connector to the duct

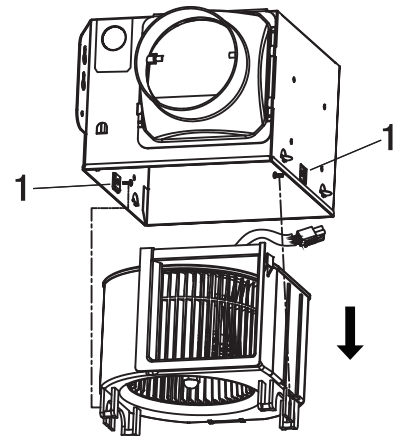
Install a circular 4 in. duct (not included) (1) and secure it with duct tape or clamps (neither included) (2). Finish ceiling work. The ceiling hole should be aligned with the edge of the fan housing.



STEP 5

Remove the fan motor assembly

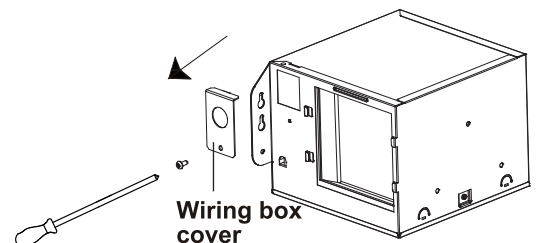
Remove the two screws (1) that hold the fan motor assembly in place. Remove the fan motor assembly from the fan housing. Unplug the fan power unit.



STEP 6

Remove the junction box

Remove the wiring box cover from the fan housing with a Phillips head screwdriver (not included).



No Attic Installation Instruction

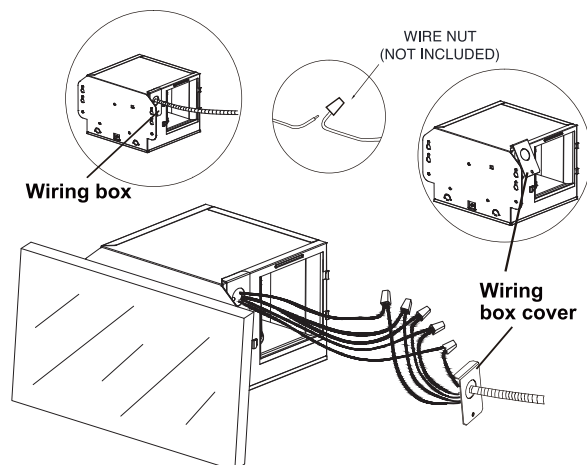
STEP 7

Connect the house and fan wires

Pull the wire through the hole and into the junction box (not included). Using a quick connector, secure 120 VAc house wiring from the wall switch to the fan as shown in the wiring diagram. 14AWG is the smallest conductor that shall be used for branch-circuit wiring.



CAUTION: Make sure power is switched off at service panel before starting installation.

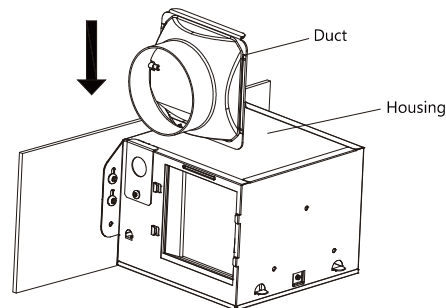


Push the wires back through the hole. Reattach the wiring box cover.

STEP 8

Attach the duct connector to the fan housing

Attach duct connector to the fan housing as shown in the drawing.

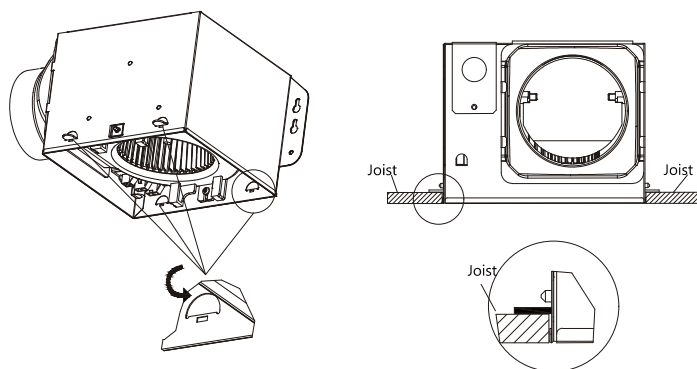


STEP 9

Place the fan housing

Insert the housing through the existing hole in the ceiling.

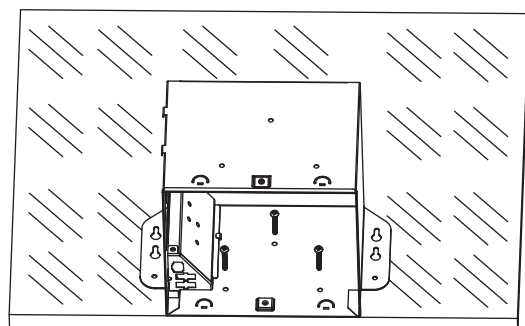
Then bend the four ears to place the fan housing on the ceiling. The fan housing should be level and perpendicular to the joist.



STEP 10

Mount the housing to the joist

Mount the fan housing to the joist using four long wood screws where indicated.

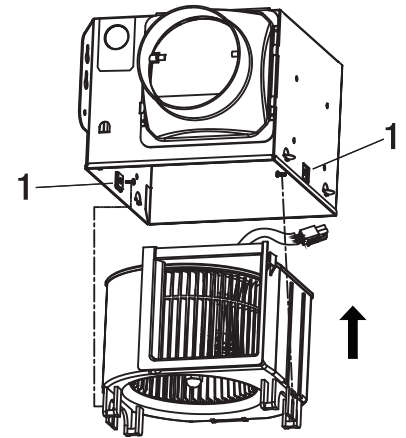


No Attic Installation Instruction

STEP 11

Reattach the fan motor assembly

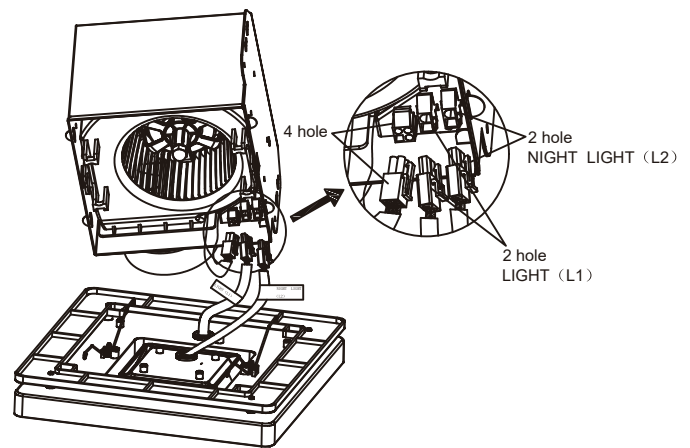
Plug the motor assembly back into the power unit. Reattach the motor assembly using the four screws (1) removed in step 5.



STEP 12

Plug fan and light in the power

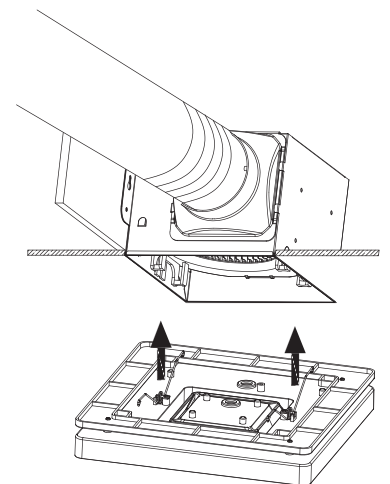
Plug the motor assembly back into the power unit. Plug the main LED light and Night light into the proper power units respectively as the label indicated.



STEP 13

Install the light panel

Attach LED panel by pinching the mounting springs and inserting them into the narrow rectangular slots in the fan housing. Test the unit.



No Attic Installation Instruction

STEP 14

Choose proper wall-mount switch

Connect properly the wires with Three-rocker wall-mounting switch.

Note: Ordinary rocker switches can also be used. If you wish to use our switches to gain more functions, you might be interested in the following options.

1.Akicon's Switch AK-SW-FLHT is recommended (Not Included)

-For controlling fan: Turn on/off by the first rocker

-For controlling main light: Short press the second rocker to toggle lighting on/off.

-For controlling night light: Turn on/off by the third rocker.

-For changing Color Temperature Control: Toggle the second rocker On/Off/On to change the color temperature. After 7s off, the light keeps the last memory when turned on/off again.

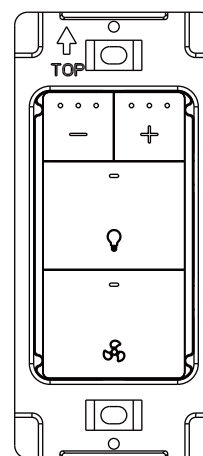
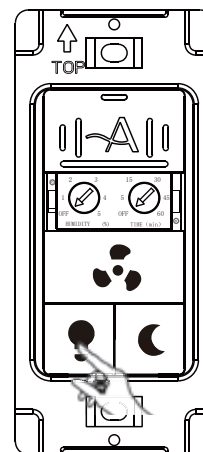
2.Akicon's Switch AK-SW-FLDN is recommended (Not Included)

-For controlling fan: Short press fan button to toggle on/off.

-For controlling main light: Short press the light button to toggle lighting on/off.(Long press for 3 seconds to enter or exit night light mode)

-For controlling night light: Long press for 3 seconds to enter or exit night light mode.

-For changing Color Temperature Control: Toggle the light button On/Off/On to change the color temperature. After 7s off, the light keeps the last memory when turned on/off again.



Care and Maintenance

WARNING: Disconnect power supply before servicing. See SAFETY INFORMATION before proceeding.

Routine maintenance should be done at least once a year.

- Wipe grille with a dry cloth.
- Remove excess dirt and dust from the fan housing with a vacuum cleaner.
- Do not use solvents, thinner or harsh chemicals for cleaning the fan.
- Do not allow water to enter the motor.
- Do not immerse resin parts in water over 140° F.

Troubleshooting

PROBLEM	POSSIBLE CAUSE	CORRECTIVE ACTION
The fan seems louder than it should	CFM too great	Be sure the CFM rating on the fan matches the size of your room
	Damper not working properly or damaged	Check damper to ensure it is opening and closing properly. If the damper has become damaged, please call Customer Service
	Bend in duct too close to fan discharge	Be sure you do not have any sharp bends in duct closer than 18 in. to the fan discharge
	Fan discharge reduced to fit smaller duct	Use recommended size ducting to reduce fan noise
	Fan housing not securely attached	Be sure the fan is securely attached to your ceiling joists
The fan is not clearing the room	Insufficient intake airflow within room	Be sure a door or window is slightly ajar or opened to allow airflow. The fan is not able to draw air out of the room without enough airflow to draw from
	Insufficient CFM	Be sure the CFM rating on the fan matches the requirements for your room size NOTE: Using a tissue is not an accurate method for determining if the fan is operating properly. If the fan clears steam from the room within approximately 15 minutes of completing your shower, then the fan is operating properly
The Color temperature change when the light is turned on.	Lights off in less than 7 seconds.	The exhaust fan comes with a memory function, Turning off the light for more than 7 seconds and turning it on again can maintain the color temperature.

Limited 3-Year Warranty

If this product fails due to a defect in materials or workmanship at any time during the first ONE years of ownership the manufacturer will replace it free of charge, postage-paid at their option. This warranty does not cover products that have been abused, altered, damaged, misused, cut or worn. This warranty does not cover use in commercial applications. Use only manufacturer-supplied genuine warranty repair replacement parts to repair this fan. Use of non-genuine repair parts will void your warranty. The manufacturer DISCLAIMS all other implied or express warranties including all warranties of merchantability and/or fitness for a particular purpose. As some states do not allow exclusions or limitations on an implied warranty, the above exclusions and limitations may not apply. This warranty gives you specific legal rights, and you may have other rights that vary from state to state.

This warranty is limited to the replacement of defective parts only. Labor charges and/or damage incurred during installation, repair, replacement as well as incidental and consequential damages connected with the above are excluded. Any damage to this product as a result of neglect, misuse, accident, improper installation or use other than the purpose SHALL VOID THIS WARRANTY.

Shipping costs for return product as part of a claim on the warranty must be paid for by the customer.

Inquiries regarding warranty claims can be directed to +1(888) 828 2025, 8 a.m. - 6 p.m., EST, Monday - Thursday, 8 a.m. - 5 p.m., EST, Friday

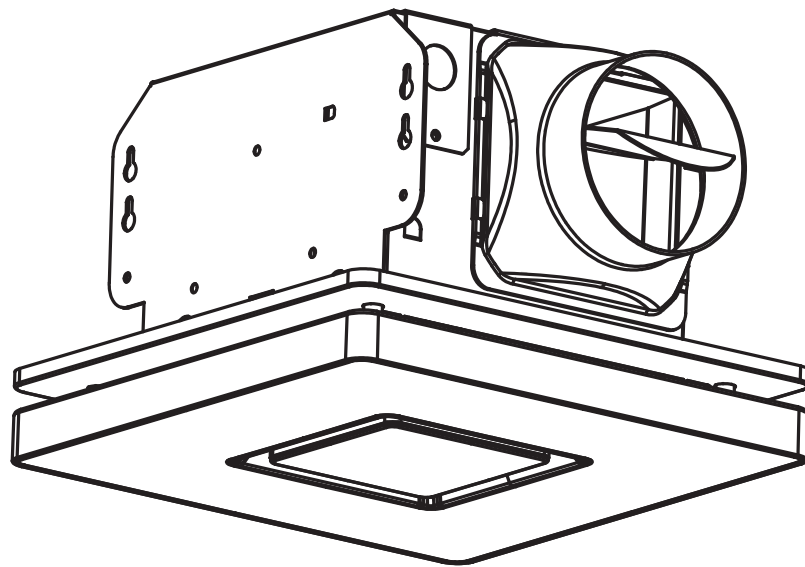


GUIDE D'UTILISATION ET D'ENTRETIEN

**AK1390N2-W
AK1390N2-B
AK1390N2-S**

Ventilateur avec lumière

LISEZ ET CONSERVEZ CES INSTRUCTIONS



Des questions, des problèmes, des pièces manquantes?
Avant de retourner l'article au appelez notre service à la clientèle au
8 a.m.-6 p.m.,EST, lundi -le vendredi

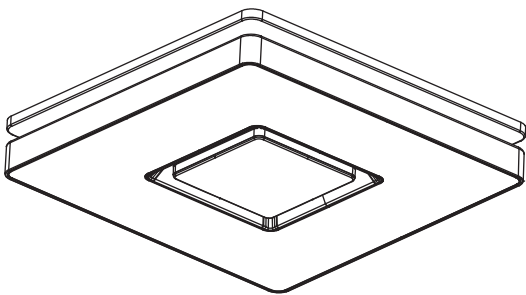
TOLL FREE: +1 (888) 828 2025
service@akiconhvac.com
akiconhvac.com



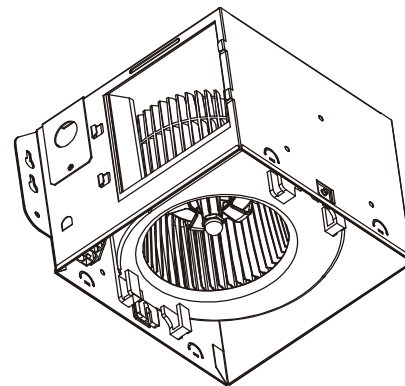
TABLE DES MATIÈRES

Informations de sécurité.....	17-18
Pré - installation.....	18-19
Caractéristiques Du Produit.....	19
Schéma De Câblage.....	19
Instructions d'installation dans les combles.....	20-23
Pas d'instruction d'installation dans les combles.....	23-27
Entretien et maintenance.....	27
Dépannage.....	28
Garantie limitée de 3 ans.....	28

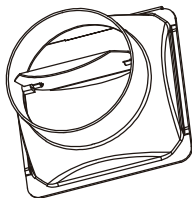
Contenu de l'emballage



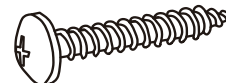
1x composants de lampe



1x boîtier de ventilateur



1x connecteur de tuyau



6 x longues vis à bois

Informations de sécurité

LISEZ ET SAUVEGARDEZ CES INSTRUCTIONS

1. Avertissement - afin de réduire le risque d'électrocution ou de blessures corporelles dues au feu, veuillez respecter les dispositions suivantes:
 - a. utiliser le dispositif uniquement de la manière prescrite par le fabricant. Si vous avez des questions, veuillez contacter le fabricant.
 - b. avant de réparer ou de nettoyer l'unité, éteignez l'alimentation électrique sur le panneau de service et verrouillez le dispositif de coupure de service pour empêcher la mise sous tension accidentelle. Lorsque le dispositif de déconnexion de service ne peut pas être verrouillé, fixez fermement un dispositif d'avertissement important, tel qu'une étiquette, sur le panneau de service.
2. Ce ventilateur est approuvé pour une utilisation dans la baignoire ou la douche lorsqu'il est installé dans le circuit de protection gfcı. N'utilisez pas de ventilateur pour une utilisation non approuvée sur une baignoire ou une douche non approuvée.
3. Les travaux d'installation doivent être effectués par du personnel qualifié conformément à tous les codes locaux et de sécurité, y compris les règles de construction ignifuges.
4. Toujours drainer le ventilateur à l'extérieur et respecter les spécifications locales.
5. Installez le système de tuyauterie en ligne droite avec la plus petite courbure.
6. Utilisez une alimentation de 120 V, 60 Hz et mettez l'unité à la terre correctement. Respectez tous les codes de sécurité et électriques locaux.
7. N'utilisez pas ce ventilateur avec n'importe quel dispositif de contrôle à l'état solide; Par exemple, un interrupteur gradateur. Le contrôle à l'état solide peut provoquer une distorsion harmonique, ce qui entraîne un bourdonnement du moteur.
8. Ne pas endommager les fils et autres services publics cachés lors de la coupe ou le forage dans les murs ou les plafonds.
9. Pour réduire le risque d'incendie ou d'électrocution, ne bloquez pas la grille d'entrée d'air.
10. Suffisamment d'air est nécessaire pour une combustion appropriée et l'évacuation des gaz à travers les rainures (cheminées) de l'appareil de combustion du combustible pour empêcher le reflux.
11. Le ventilateur doit toujours être ventilé vers l'extérieur.
12. Lors de l'installation, la partie mobile la plus basse doit être située à au moins 2,5 mètres au - dessus du sol ou du sol.
13. Afin de réduire le risque d'incendie ou d'électrocution, n'utilisez pas ce ventilateur avec un dispositif de contrôle de vitesse à l'état solide.

Suivez les directives et les normes de sécurité des fabricants d'appareils de chauffage, telles que celles publiées par la National Fire Protection Association (NFPA), l'American Society of Heating, Refrigeration and Air Conditioning Engineers (ASHRAE) et les organismes de réglementation locaux.



Ne convient pas pour une utilisation comme hotte aspirante.



REMARQUE: Assurez - vous que la taille des travaux de plomberie est la plus petite émission. Ne réduisez pas. Réduire la taille du conduit d'air augmente le bruit du ventilateur.



REMARQUE: Pour un usage général de ventilation seulement. Ne pas utiliser pour l'émission de matières et de vapeurs dangereuses ou explosives.



IMPORTANT: Vous devrez peut - être consulter un électricien professionnel au sujet du câblage de votre ventilateur.

Informations de sécurité



REMARQUE: Ne pas installer dans un endroit où la température de l'air dépasse 40 °C (104 °F).



AVERTISSEMENT: Pour réduire le risque d'électrocution, débranchez le circuit d'alimentation du ventilateur avant d'installer le kit d'éclairage.



IMPORTANT: Lorsque vous coupez ou percez des trous dans les murs ou les plafonds, faites attention à ne pas endommager le câblage existant.



REMARQUE: Ce produit doit être correctement mis à la terre.

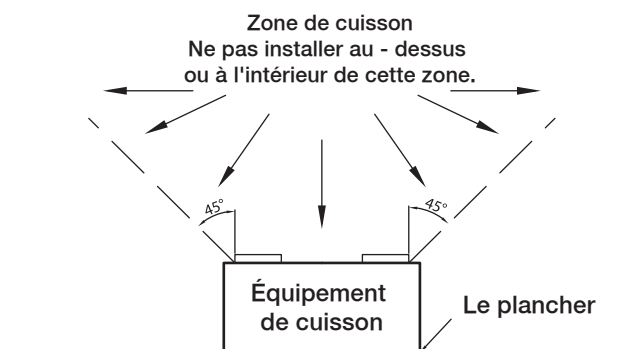
Pré - installation

PLANIFIER UNE INSTALLATION RÉUSSIE

Lors de l'installation d'un ventilateur sur un nouveau chantier, le corps du ventilateur et les travaux de plomberie doivent être installés pendant la construction approximative du bâtiment. La grille doit être installée après le plafond fini est en place.

Lors de l'installation dans une structure existante, utilisez les dimensions de la page 7 pour déterminer la taille de trou requise pour le plafond. Le bord de la grille doit chevaucher le plafond fini.

Ne convient pas à la zone de cuisson - voir les instructions d'installation.

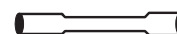


N'installez pas de ventilateurs de ventilation dans des zones où les travaux de plomberie nécessitent une configuration, comme indiqué sur l'image.

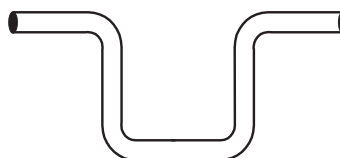
Angle de virage trop grand



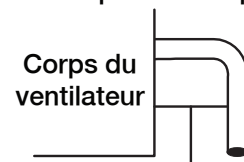
Éviter le rétrécissement des tuyaux



Trop de coudes



Coudes près du corps



Minimum 18 pouces.



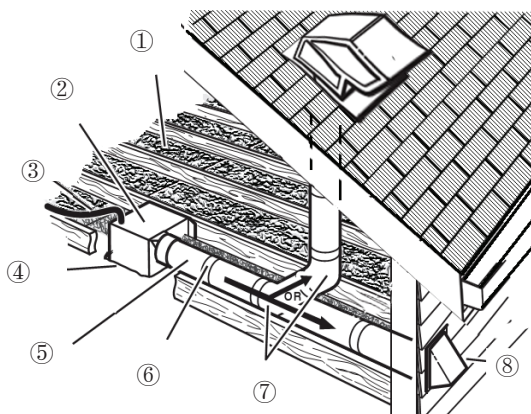
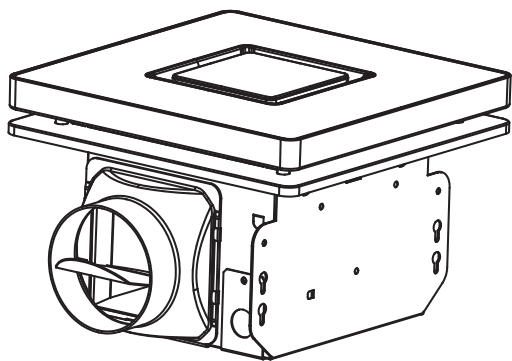
IMPORTANT: les tuyaux qui vont de ce ventilateur à l'extérieur du bâtiment ont une grande influence sur le flux d'air, le bruit et la consommation d'énergie du ventilateur. Pour des performances optimales, utilisez le câblage de conduit le plus court et le plus droit possible et évitez d'installer des ventilateurs avec des conduits plus petits que ceux recommandés. L'isolation autour des tuyaux peut réduire les pertes d'énergie et inhiber la croissance des moisissures. Les ventilateurs équipés de conduits d'air existants peuvent ne pas atteindre leur débit d'air nominal.

Pré - installation

OPTIONS D'INSTALLATION

Nous vous recommandons d'installer le ventilateur en fixant le corps du ventilateur sur une solive de plafond et en soutenant les solives adjacentes à l'aide d'une flèche si nécessaire.

Ce ventilateur peut avoir plusieurs configurations de montage. Toutes les configurations ne sont pas affichées. Si votre installation nécessite des modifications autres que celles indiquées, consultez un entrepreneur agréé pour déterminer la meilleure installation pour votre projet. Si vous remplacez un ventilateur existant, assurez - vous que la nouvelle grille couvre adéquatement les ouvertures existantes.



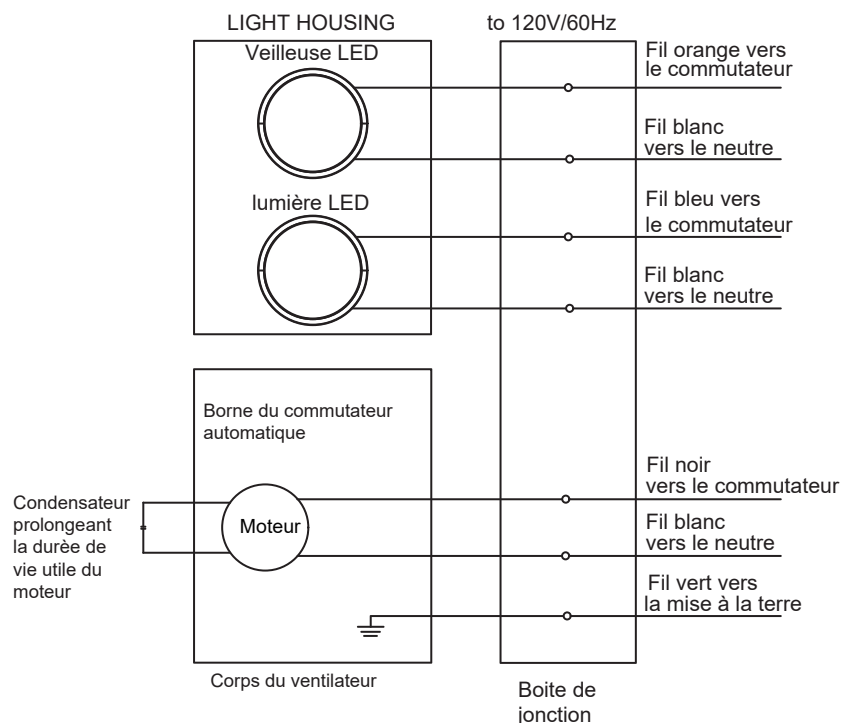
- ①. Isolation (placer autour et au - dessus du capot du ventilateur.)
- ②. Boîtier de ventilateur
- ③. Câbles électriques
- ④. Sceller les espaces autour du boîtier.
- ⑤. Tuyau d'air circulaire
- ⑥. Scellez le raccord du conduit d'air avec du ruban adhésif.
- ⑦. Coude circulaire
- ⑧. Chapeau mural (avec amortisseur intégré)

CARACTÉRISTIQUES DU PRODUIT

CARACTÉRISTIQUES
Circulation d'air : 90 CFM
120 V, 60 Hz
Puissance du ventilateur : 26W
Diamètre du conduit : 4 in
Poids : 6.17LBS

CARACTÉRISTIQUES
Sortie du son : 1.5 sones
lumière LED- 15W
CCT - 2700K/4000K/5500K
Lumen - 1000lm
Veilleuse LED - 5W - 2700K

SCHÉMA DE CÂBLAGE



INSTRUCTIONS POUR LE RACCORD À BRANCHEMENT RAPIDE

Ne doit être vendu qu'avec les instructions pour l'installation.

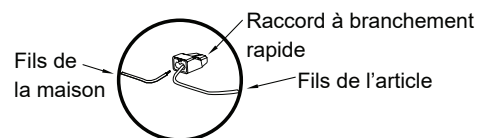
AVERTISSEMENT : Le câblage doit être conforme à tous les codes de l'électricité applicables. Coupez l'alimentation électrique avant de retirer ou d'installer les raccords.

AVERTISSEMENT : COMBINAISON DE CUIVRE AVCE CUIVRE SEULEMENT. N'utilisez pas de fil en aluminium.

ATTENTION : L'accessoire (raccord à branchement rapide) doit être conforme aux instructions pour l'installation ci-dessous.

REMARQUE : Le raccord est réutilisable avec des fils massifs du même calibre ou d'un calibre inférieur. Ne réutilisez pas le raccord avec des fils standard.

- Dénudez les fils de 9,52 mm à 12,7 mm..
- Tenez fermement le fil et poussez l'extrémité dénudée du fil dans l'orifice du raccord. Utilisez seulement un conducteur par orifice.
- Vérifiez si l'extrémité dénudée des fils est complètement insérée à l'arrière du raccord.



REMARQUE : Information importante pour le raccordement. La cote de température maximale est de 105 °C (221 °F). Maximum de 600 V pour les fils de bâtiment; maximum de 1000 V, pour les fils de bâtiment; maximum de 1000 V, pour les panneaux et les luminaires. Le calibre des fils acceptable est : de 12 à 18 AWG pour le fil massif.

Instructions d'installation dans les combles

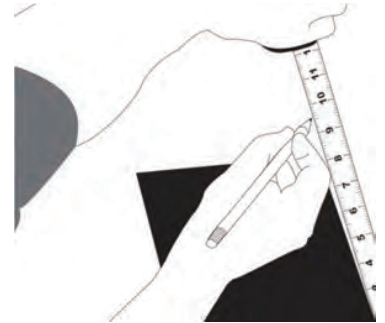
ATTENTION:

1. Assurez - vous que l'alimentation du panneau de service est éteinte avant l'installation.
2. Ne pas installer dans la zone de cuisson.
3. Choisissez l'emplacement du ventilateur pour assurer la meilleure performance de l'air et du son. Il est recommandé de maintenir la longueur du tuyau et le nombre de coudes au minimum et d'utiliser des tuyaux durs isolés. Une plus grande taille de conduit d'air réduira le bruit et les restrictions de flux d'air.
4. Le ventilateur ne doit pas être installé au plafond avec une valeur d'isolation supérieure à R40.

Étape 1

Mesurer l'ouverture du plafond

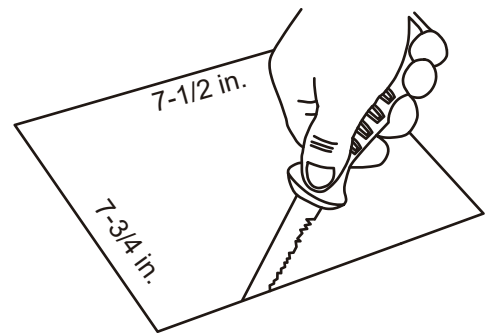
Mesurez l'ouverture pour vous assurer qu'elle est suffisamment grande pour accueillir un nouveau corps de ventilateur (7-1/2 in. 7-3/4 in.).



Étape 2

Découper l'ouverture

Si ce ventilateur n'est pas destiné à remplacer l'ancien, assurez - vous de couper une ouverture de 7-1/2 in.x 7-3/4 in.pour le boîtier du ventilateur.

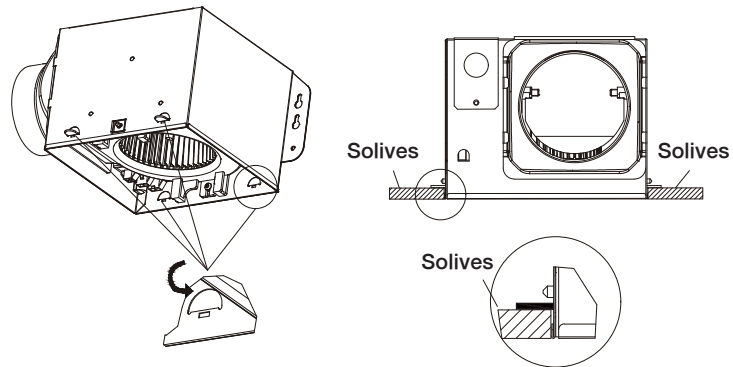


Étape 3

Placer le capot du ventilateur

Insérer le boîtier à travers les trous existants dans le plafond.

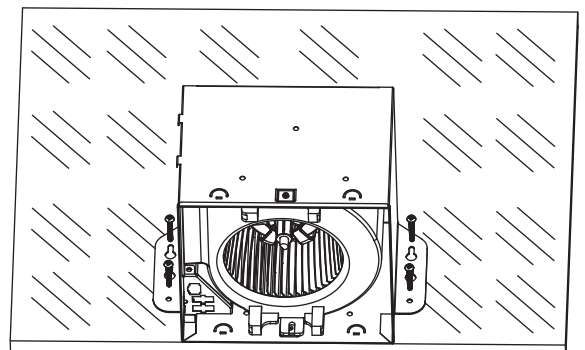
Pliez ensuite les quatre oreilles et placez le capot du ventilateur sur le plafond. Le boîtier du ventilateur doit être horizontal et perpendiculaire aux solives.



Étape 4

Installer le capot du ventilateur

Si indiqué, utilisez quatre longues vis à bois pour monter le capot du ventilateur sur les solives.

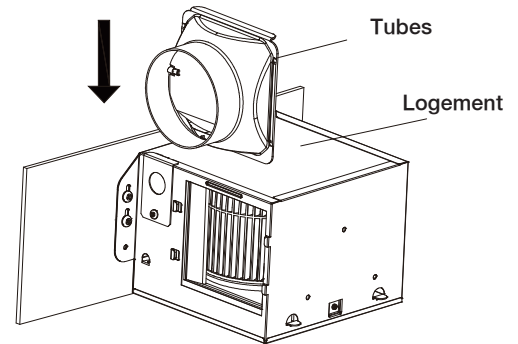


Instructions d'installation dans les combles

Étape 5

Raccorder le raccord du conduit d'air au capot du ventilateur

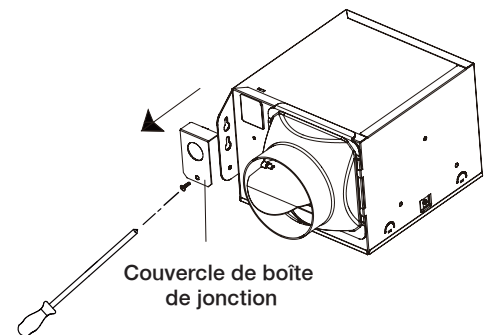
Connectez le raccord du conduit d'air au capot du ventilateur comme illustré.



Étape 6

Retirer la boîte de jonction

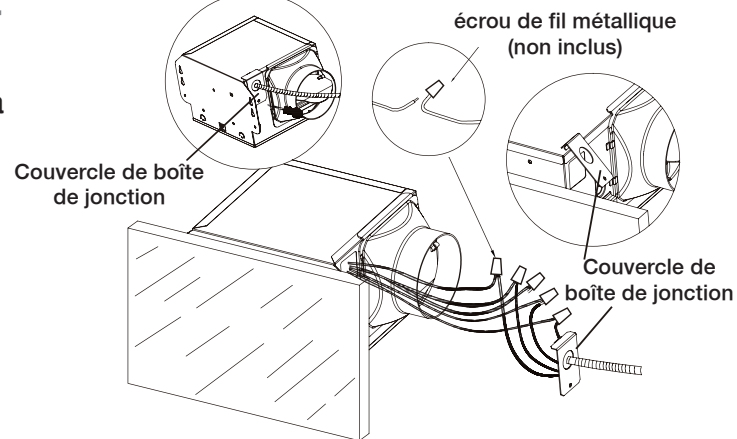
Retirez le couvercle de la boîte de raccordement du boîtier.



Étape 7

Câblage électrique reliant la maison et le ventilateur

Connectez le fil à la boîte de jonction (non incluse) à travers le trou. Fixez le câblage intérieur 120vac du commutateur mural au ventilateur à l'aide d'un écrou de câblage (non inclus) comme indiqué sur le schéma de câblage. Le 14awg est le plus petit conducteur appliqué au câblage des circuits de dérivation.



REMARQUE: Assurez - vous d'éteindre le panneau de réparation avant de commencer l'installation.

Repoussez le fil du trou. Rebranchez le couvercle de la boîte de raccordement.

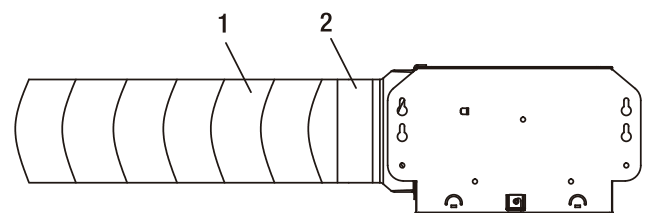
Étape 8

Installation de conduits d'air

Installez un tuyau d'air rond de 4 pouces (non inclus) (1) et fixez - le (2) avec du ruban adhésif ou des clips (tous non inclus).

Terminer les travaux de plafond. Les trous de plafond doivent être alignés avec les bords du boîtier du ventilateur.

Note: A l'encontre de l'utilisation de conduits métalliques rigides, il est recommandé d'utiliser uniquement des conduits flexibles.

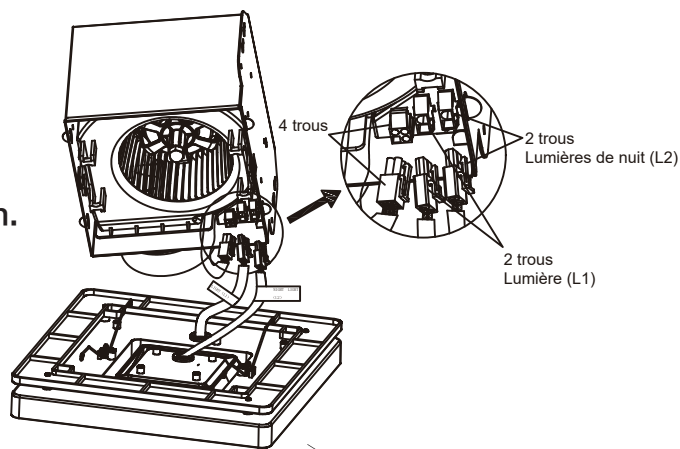


Instructions d'installation dans les combles

Étape 9

Branchez le ventilateur et la lumière à l'alimentation

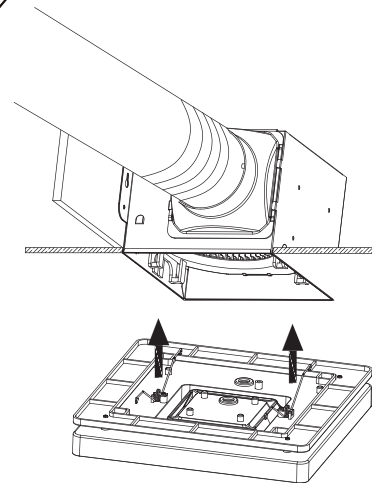
Rebranchez la partie moteur dans l'unité d'alimentation. Branchez la lampe LED principale et la lampe de nuit séparément dans l'unité d'alimentation appropriée, comme indiqué sur l'étiquette.



Étape 10

Installation de panneaux lumineux

Connectez le panneau LED en serrant le ressort de montage et en l'insérant dans une fente rectangulaire étroite du boîtier du ventilateur. Unité de test.



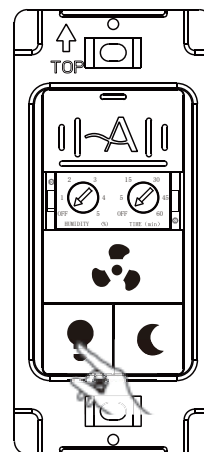
Étape 11

Choisir le bon interrupteur mural

Connectez correctement les fils avec un interrupteur mural à trois bascules.

Note: Des interrupteurs à bascule ordinaires peuvent également être utilisés. Si vous souhaitez utiliser nos interrupteurs pour obtenir plus de fonctions, vous pourriez être intéressé par les options suivantes.

1. le commutateur AK - SW - flht d'akicon est recommandé (non incluse)
 - pour contrôler le ventilateur: ouverture / fermeture par le premier levier basculant
 - Pour contrôler l'éclairage principal : Appuyer brièvement sur la deuxième bascule pour allumer/éteindre l'éclairage.
 - Pour contrôler la veilleuse : Allumez/éteignez à l'aide de la troisième manette.
 - Pour changer la température de couleur: Faites basculer la deuxième bascule On/Off/On pour modifier la température de couleur. Après 7 secondes d'arrêt, la lumière conserve la dernière mémoire lorsqu'elle est allumée/éteinte à nouveau.



Pas d'instruction d'installation dans les combles

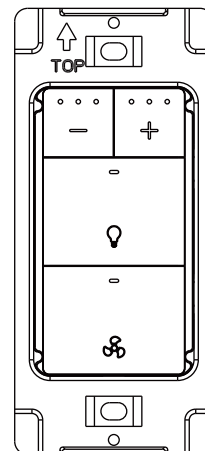
2. l'interrupteur AK-SW-FLDN d'Akicon est recommandé (non inclus).

-Pour contrôler le ventilateur : Appuyer brièvement sur le bouton du ventilateur pour l'allumer ou l'éteindre.

-Pour contrôler l'éclairage principal : Appuyer brièvement sur le bouton de la lumière pour allumer/éteindre l'éclairage (appuyer longuement pendant 3 secondes pour entrer ou sortir du mode lumière de nuit).

-Pour contrôler l'éclairage de nuit : Appuyez longuement pendant 3 secondes pour entrer ou sortir du mode veilleuse.

-Pour changer la température de couleur: Basculez le bouton d'éclairage sur On/Off/On pour modifier la température de couleur. Après 7 secondes d'arrêt, la lumière conserve la dernière mémoire lorsqu'elle est allumée/éteinte à nouveau.



Pas d'instruction d'installation dans les combles

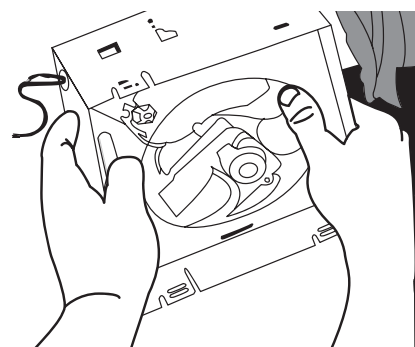
ATTENTION:

1. Assurez - vous que l'alimentation du panneau de service est éteinte avant l'installation.
2. Ne pas installer dans la zone de cuisson.
3. Choisissez l'emplacement du ventilateur pour assurer la meilleure performance de l'air et du son. Il est recommandé de maintenir la longueur du tuyau et le nombre de coudes au minimum et d'utiliser des tuyaux durs isolés. Une plus grande taille de conduit d'air réduira le bruit et les restrictions de flux d'air.
4. Le ventilateur ne doit pas être installé au plafond avec une valeur d'isolation supérieure à R40.

Étape 1

Supprimer un ventilateur existant

Retirez le vieux ventilateur du plafond.



Étape 2

Mesurer l'ouverture du plafond

Mesurez l'ouverture pour vous assurer qu'elle est suffisamment grande pour accueillir un nouveau corps de ventilateur (7-1/2 in. 7-3/4 in.).



Remarque: le côté de l'ouverture de 7-1/2 in. pouces doit être au niveau de la menuiserie.

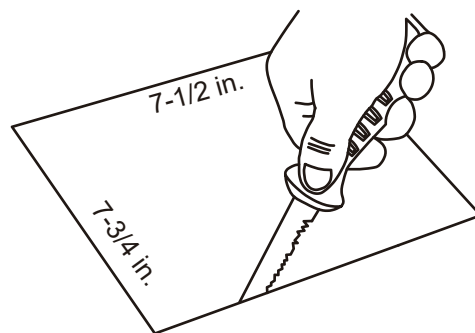
Pas d'instruction d'installation dans les combles

Étape 3

Agrandir l'ouverture

Si ce ventilateur n'est pas destiné à remplacer l'ancien, assurez - vous de couper une ouverture de 7-1/2 in.x 7-3/4 in. pour le corps du ventilateur (A).

Assurez - vous que le côté de l'ouverture de 7,30 pouces affleure Les solives pour l'installation par le bas.

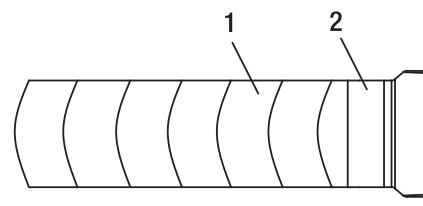


Étape 4

Raccorder le raccord du conduit d'air au conduit d'air

Installez un tuyau d'air rond de 4 pouces (non inclus) (1) et fixez - le (2) avec du ruban adhésif ou des clips (tous non inclus).

Terminer les travaux de plafond. Les trous de plafond doivent être alignés avec les bords du boîtier du ventilateur.

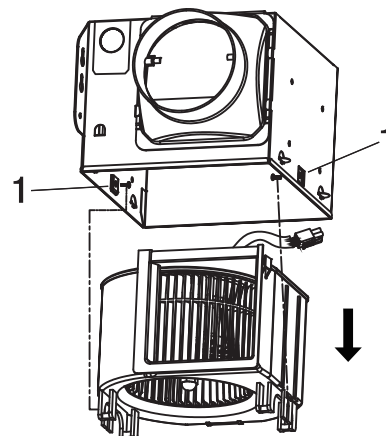


Étape 5

Démontage de l'ensemble moteur de ventilateur

Retirez les deux vis (1) qui maintiennent l'ensemble ventilateur - moteur en place. Retirez l'ensemble moteur du ventilateur du boîtier du ventilateur.

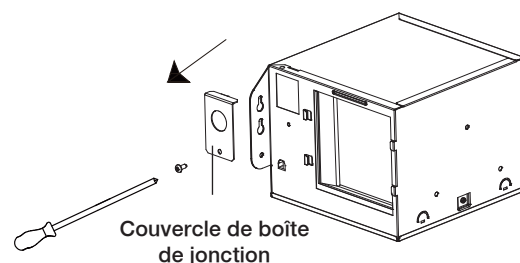
Débranchez le dispositif d'alimentation du ventilateur.



Étape 6

Retirer la boîte de jonction

Retirez le couvercle de la boîte de jonction du capot du ventilateur à l'aide d'un tournevis cruciforme (non inclus).



Pas d'instruction d'installation dans les combles

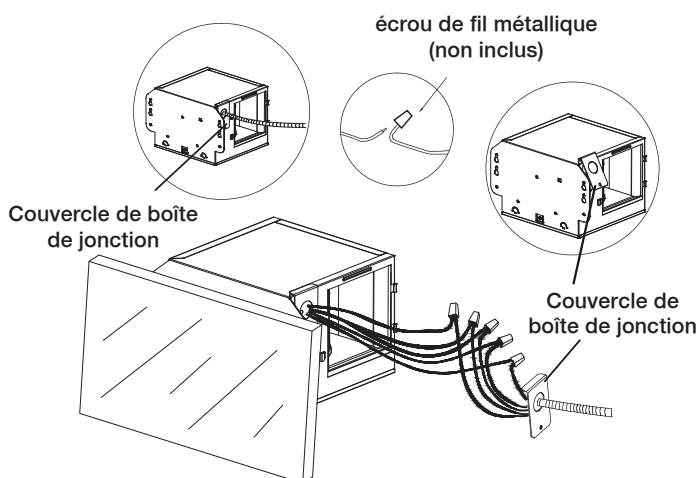
Étape 7

Câblage électrique reliant la maison et le ventilateur

Connectez le fil à la boîte de jonction (non incluse) à travers le trou. Fixez le câblage intérieur 120vac du commutateur mural au ventilateur à l'aide d'un écrou de câblage (non inclus) comme indiqué sur le schéma de câblage. Le 14awg est le plus petit conducteur appliqué au câblage des circuits de dérivation.



REMARQUE: Assurez - vous d'éteindre le panneau de réparation avant de commencer l'installation.

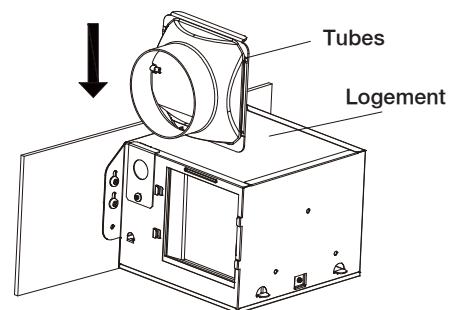


Repoussez le fil du trou. Rebranchez le couvercle de la boîte de raccordement.

Étape 8

Raccorder le raccord du conduit d'air au capot du ventilateur

Connectez le raccord du conduit d'air au capot du ventilateur comme illustré.

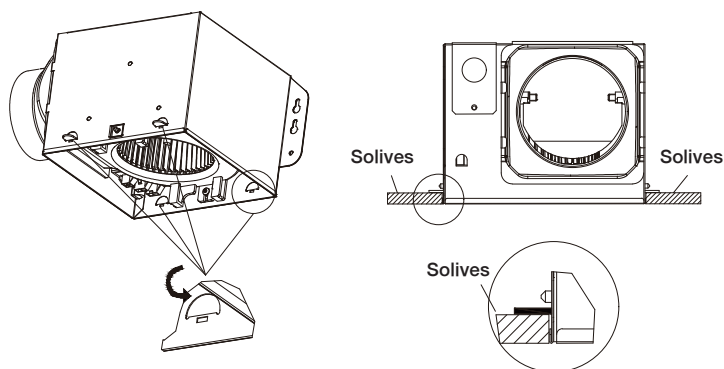


Étape 9

Placer le capot du ventilateur

Insérer le boîtier à travers les trous existants dans le plafond.

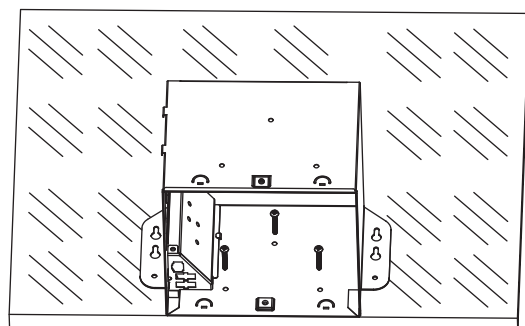
Pliez ensuite les quatre oreilles et placez le capot du ventilateur sur le plafond. Le boîtier du ventilateur doit être horizontal et perpendiculaire aux solives.



Étape 10

Montage du boîtier sur les solives

Monter le capot du ventilateur sur les solives à l'aide de quatre longues tiges Vis à bois (si indiqué).



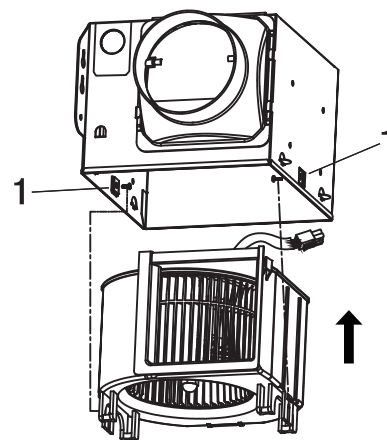
Pas d'instruction d'installation dans les combles

Étape 11

Reconnecter l'ensemble moteur de ventilateur

Branchez le composant moteur à nouveau
 Unités Utilisation de quatre assemblages de moteur reconnectés

La vis (1) retirée à l'étape 5.

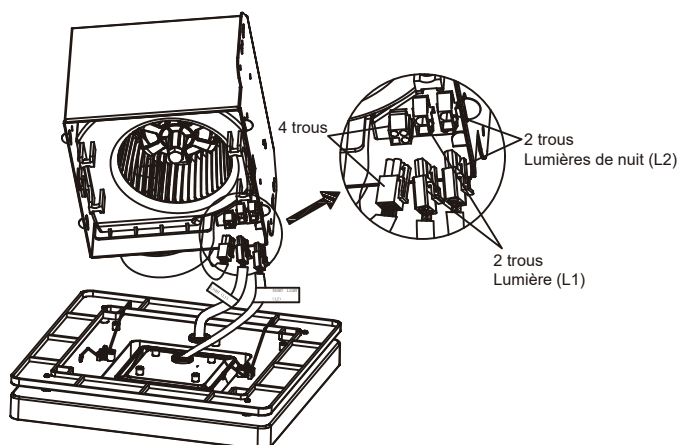


Étape 12

Branchez le ventilateur et la lumière à l'alimentation

Rebranchez la partie moteur dans l'unité d'alimentation.

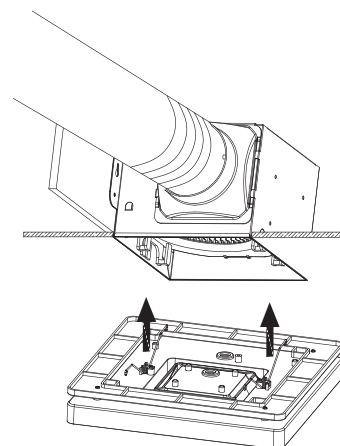
Branchez la lumière LED principale et la lumière de nuit séparément dans la bonne unité d'alimentation, comme indiqué sur l'étiquette.



Étape 13

Installation de panneaux lumineux

Connectez le panneau LED en serrant le ressort de montage et en l'insérant dans une fente rectangulaire étroite du boîtier du ventilateur. Unité de test.



Pas d'instruction d'installation dans les combles

Étape 14

Choisir le bon interrupteur mural

Connectez correctement les fils avec un interrupteur mural à trois bascules.

Note: Des interrupteurs à bascule ordinaires peuvent également être utilisés. Si vous souhaitez utiliser nos interrupteurs pour obtenir plus de fonctions, vous pourriez être intéressé par les options suivantes.

1. le commutateur AK - SW - flht d'akicon est recommandé (non incluse)

- pour contrôler le ventilateur: ouverture / fermeture par le premier levier basculant

- Pour contrôler l'éclairage principal : Appuyer brièvement sur la deuxième bascule pour allumer/éteindre l'éclairage.

- Pour contrôler la veilleuse : Allumez/éteignez à l'aide de la troisième manette.

- Pour changer la température de couleur: Faites basculer la deuxième bascule On/Off/On pour modifier la température de couleur. Après 7 secondes d'arrêt, la lumière conserve la dernière mémoire lorsqu'elle est allumée/éteinte à nouveau.

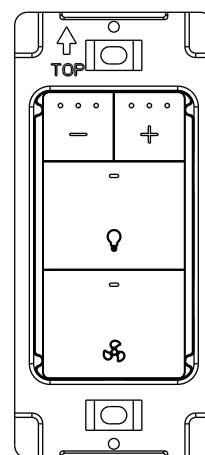
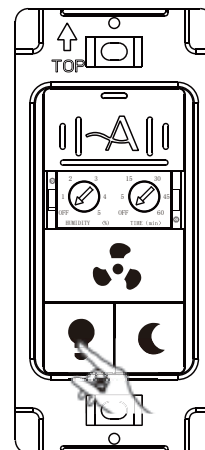
2. l'interrupteur AK-SW-FLDN d'Akicon est recommandé (non inclus).

- Pour contrôler le ventilateur : Appuyer brièvement sur le bouton du ventilateur pour l'allumer ou l'éteindre.

- Pour contrôler l'éclairage principal : Appuyer brièvement sur le bouton de la lumière pour allumer/éteindre l'éclairage (appuyer longuement pendant 3 secondes pour entrer ou sortir du mode lumière de nuit).

- Pour contrôler l'éclairage de nuit : Appuyez longuement pendant 3 secondes pour entrer ou sortir du mode veilleuse.

- Pour changer la température de couleur: Basculez le bouton d'éclairage sur On/Off/On pour modifier la température de couleur. Après 7 secondes d'arrêt, la lumière conserve la dernière mémoire lorsqu'elle est allumée/éteinte à nouveau.



Entretien et maintenance

Avertissement: débranchez l'alimentation électrique avant la réparation. Voir les informations de sécurité avant de continuer.

L'entretien quotidien doit être effectué au moins une fois par an.

- Essuyez la grille avec un chiffon sec.
- Utilisez un aspirateur pour enlever l'excès de saleté et de poussière du capot du ventilateur.
- N'utilisez pas de solvants, de diluants ou de produits chimiques irritants pour nettoyer le ventilateur.
- Ne laissez pas l'eau entrer dans le moteur.
- Ne pas immerger les pièces en résine dans de l'eau à une température supérieure à 140 ° F.

Dépannage

PROBLÈM	CAUSE POSSIBLE	MESURE CORRECTIVE
Le ventilateur semble trop bruyant	Le débit en m ³ /min est trop élevé.	Assurez-vous que le débit en m ³ /min du ventilateur est approprié pour la taille de la pièce.
	Le registre ne fonctionne pas correctement ou est endommagé.	Vérifiez que le registre s'ouvre et se ferme correctement. Si le registre est endommagé, veuillez communiquer avec notre service à la clientèle.
	Un des coudes du conduit est situé trop près de la sortie du ventilateur.	Assurez-vous qu'aucun coude à angle aigu du conduit ne se trouve à moins de 45,72 cm de la sortie du ventilateur.
	La sortie du ventilateur a été réduite en fonction d'un conduit plus petit.	Utilisez la taille de conduit recommandée pour réduire le bruit du ventilateur.
	Le boîtier du ventilateur n'est pas fixé solidement.	Assurez-vous que le ventilateur est fixé solidement aux solives du plafond.
Le ventilateur n'évacue pas l'humidité	La circulation d'air est insuffisante dans la pièce.	Assurez-vous d'entrouvrir ou d'ouvrir complètement une porte ou une fenêtre pour permettre la circulation de l'air. Sans une circulation d'air adéquate, le ventilateur ne peut pas évacuer l'air de la pièce.
	Le débit en m ³ /min est insuffisant.	Assurez-vous que le débit en m ³ /min du ventilateur correspond à celui exigé pour la taille de la pièce. REMARQUE: L'utilisation d'un papier-mouchoir ne permet pas de déterminer avec précision si le ventilateur fonctionne correctement. Si le ventilateur évacue la vapeur de la pièce dans les 15 minutes environ suivant la fin d'une douche, c'est qu'il fonctionne correctement.
La température de couleur change lorsque la lumière est allumée.	La lumière s'éteint en moins de 7 secondes.	Le ventilateur d'extraction est doté d'une fonction de mémorisation. Le fait d'éteindre la lumière pendant plus de 7 secondes et de la rallumer permet de conserver la température de couleur.

Garantie limitée de 3 ans

Si ce produit échoue en raison d'un défaut de matériel ou de fabrication à tout moment au cours de l'année précédant la possession, le fabricant le remplacera gratuitement et paiera ses propres frais de port. Cette garantie ne couvre pas les produits qui ont été abusés, altérés, endommagés, mal utilisés, coupés ou portés. Cette garantie ne couvre pas l'utilisation dans des applications commerciales. Ce ventilateur ne peut être réparé qu'avec des pièces de rechange de réparation d'origine fournies par le fabricant. L'utilisation de pièces de réparation non authentiques annulera votre garantie. Le fabricant renonce à toute autre garantie implicite ou expresse, y compris toute garantie de qualité marchande et / ou d'adéquation à un usage particulier. Étant donné que certains États n'autorisent pas les exclusions ou limitations des garanties implicites, les exclusions et limitations ci-dessus peuvent ne pas s'appliquer. Cette garantie vous donne des droits légaux spécifiques et vous pouvez avoir d'autres droits qui diffèrent d'un État à l'autre.

Cette garantie est limitée au remplacement des pièces défectueuses. Les frais de main-d'œuvre et / ou les dommages encourus lors de l'installation, de la réinstallation, du remplacement, ainsi que les dommages accessoires et consécutifs liés à ce qui précède sont exclus. Tout dommage causé à ce produit en raison d'une négligence, d'une mauvaise utilisation, d'un accident, d'une mauvaise installation ou d'une utilisation non intentionnelle annulera cette garantie.

Les frais d'expédition pour les produits retournés dans le cadre de la réclamation de garantie doivent être payés par le client.

Les plaintes concernant les réclamations de garantie peuvent être adressées au + 1 (888) 828 2025, 8 a.m.- 6 p.m. EST, Monday -Thursday, 8 a.m.-5 p.m.. EST, Friday

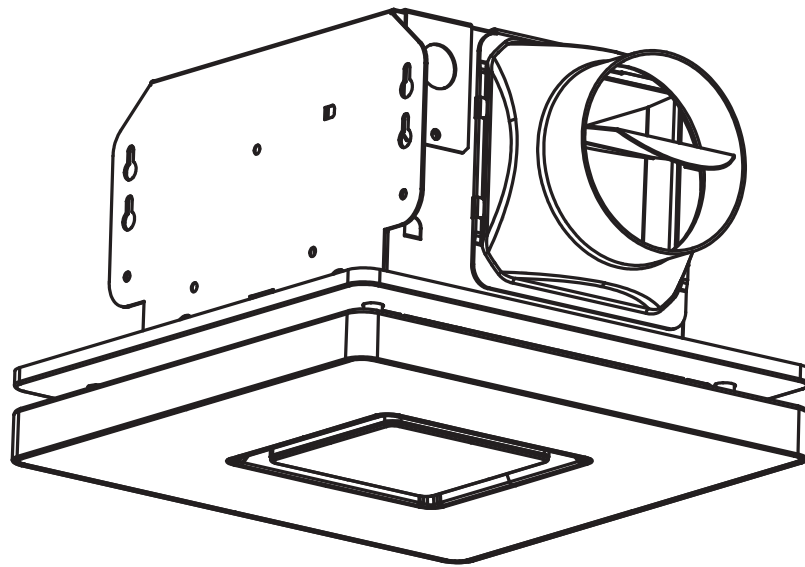


GUÍA DE USO Y CUIDO

AK1390N2-W
AK1390N2-B
AK1390N2-S

Tubo de ventilación

LEA Y GUARDIANES ESTAS INSTRUCCIONES



Preguntas, preguntas, piezas faltantes? Antes de regresar a la tienda, llame al servicio al cliente de akicon de 8 a.m. - 6 p.m. EST de lunes a viernes.

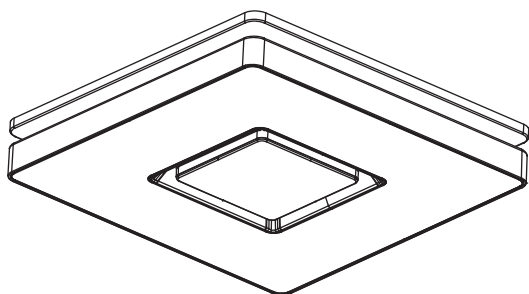
**Teléfono gratuito: + 1 (888) 828 2025 service@akiconhvac.com
akiconhvac. Modelo de objeto de componente**



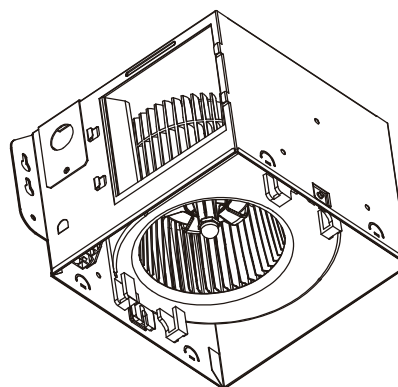
ÍNDICE

Información de Seguridad.....	31-32
Preinstalación.....	32-33
Especificaciones del producto.....	33
Diagrama del cableado.....	33
Instrucciones de instalación en el ático.....	34-37
Instrucciones de instalación sin ático.....	37-41
Cuidado y mantenimiento.....	41
Solución de problemas.....	42
Garantía limitada de 3 años.....	42

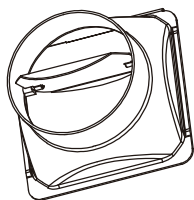
Contenido del embalaje



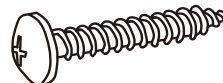
1 x componente ligero



1 x conector de tubería



1 x carcasa del ventilador



6 x tornillos largos de
madera

Información de Seguridad

LEA Y GUARDE ESTAS INSTRUCCIONES

1. **ADVERTENCIA** - para reducir el riesgo de descargas eléctricas o lesiones personales en incendios, cumpla con las siguientes regulaciones:
 - a. Este dispositivo solo puede utilizarse de la manera prescrita por el fabricante. Si tiene alguna pregunta, Póngase en contacto con el fabricante.
 - b. antes de reparar o limpiar la unidad, apague la fuente de alimentación en el panel de mantenimiento y bloquee el dispositivo de desconexión de mantenimiento para evitar una conexión accidental a la fuente de alimentación. Cuando el dispositivo de desconexión de servicio no se puede bloquear, un dispositivo de advertencia significativo, como atag, se fija firmemente al panel de servicio.
2. este ventilador de ventilación está aprobado para su uso en bañera o ducha cuando está instalado en un circuito de protección gfci. No use ventiladores de uso no autorizado en bañera o ducha no autorizada.
3. la instalación debe ser realizada por personal calificado de acuerdo con todas las normas locales y de seguridad, incluidas las normas de construcción contra incendios.
4. siempre descargue el ventilador al aire libre y cumpla con las normas locales.
5. instalar el sistema de tuberías en línea recta con la curva más pequeña.
6. utilice una fuente de alimentación de 120 v, 60 Hz y un dispositivo de puesta a tierra correcto para cumplir con todas las normas locales de Seguridad y electricidad.
7. no use este ventilador con ningún dispositivo de control de Estado sólido; Por ejemplo, los interruptores de dimmer, el control de estado sólido puede causar distorsión armónica, lo que hace que el motor zumbe.
8. al cortar o perforar paredes o techos, no dañe los cables eléctricos y otras instalaciones públicas ocultas.
9. para reducir el riesgo de incendio o descarga eléctrica, no bloquee la rejilla de admisión.
10. se necesita aire suficiente para una combustión adecuada y la descarga de gas a través de la ranura (chimenea) del equipo de combustión de combustible para evitar el retorno.
11. los ventiladores siempre deben ventilar al aire libre.
12. en el momento de la instalación, el componente móvil mínimo debe estar al menos 2,5 metros por encima del suelo o del suelo.
13. para reducir el riesgo de incendio o descarga eléctrica, no use este ventilador con ningún dispositivo de control de velocidad de Estado sólido.

Siga las pautas y estándares de Seguridad de los fabricantes de equipos de calefacción, como las emitidas por la Asociación Nacional de bomberos de Estados Unidos (nfpfa), la Asociación Americana de ingenieros de calefacción, refrigeración y aire acondicionado (ashrae) y las agencias normativas locales.



ADVERTENCIA: no es adecuado para su uso como campana extractora.



NOTA: asegúrese de que el tamaño de trabajo de la tubería es el mínimo de emisiones. no reduzca. Reducir el tamaño del catéter aumentará el ruido del ventilador.



NOTA: solo para uso general de ventilación. No se utilice para descargar materiales peligrosos o explosivos y vapor.



IMPORTANTE: en cuanto al cableado de los ventiladores de ventilación, es posible que necesite consultar a un electricista profesional.

Información de Seguridad



NOTA: no instale donde la temperatura del aire supere los 104 ° f (40 ° c).



ADVERTENCIA: para reducir el riesgo de descarga eléctrica, desconecte el circuito de alimentación del ventilador antes de instalar el kit de iluminación.



IMPORTANTE: tenga cuidado de no dañar los cables eléctricos existentes al cortar o perforar en paredes o techos.



NOTA: este producto debe estar correctamente fundamentado.

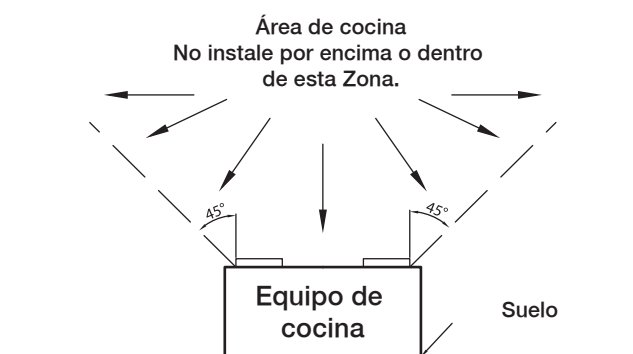
Preinstalación

SE PLANEA INSTALAR CON ÉXITO

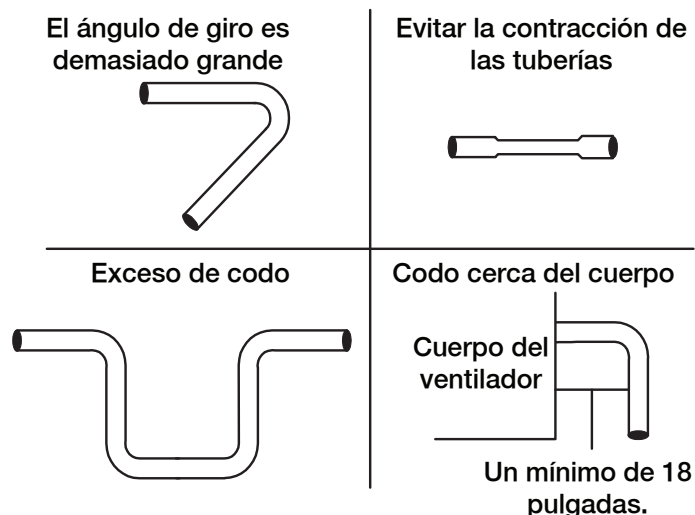
Al instalar ventiladores en el nuevo sitio de construcción, el cuerpo principal del ventilador y las obras de tubería deben instalarse durante la construcción aproximada del edificio. La rejilla debe instalarse después de que el techo terminado esté en su lugar.

Cuando se instala en la estructura existente, se utilizan las dimensiones de la página 7 para determinar el tamaño del agujero necesario para el techo. El borde de la rejilla debe superponerse al techo terminado.

No para áreas de cocción - consulte las instrucciones de instalación.



No instale el ventilador de ventilación en la zona que el proyecto de tubería necesita configurar, como se muestra en la imagen.



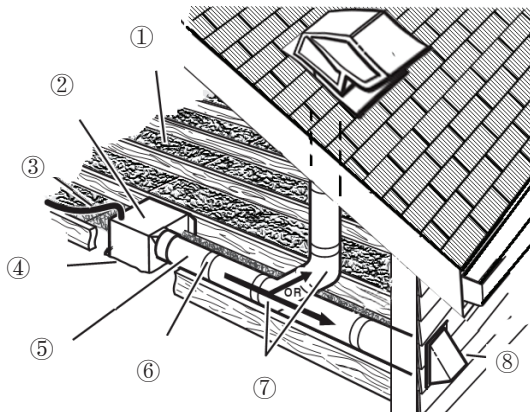
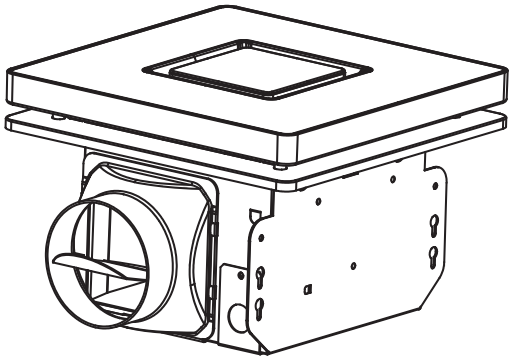
IMPORTANTE: las tuberías desde este ventilador hasta el exterior del edificio tienen un gran impacto en el flujo de aire, el ruido y el uso de energía del ventilador. Para obtener el mejor rendimiento, use el conducto de aire más corto y recto posible y evite instalar el ventilador con un conducto de aire más pequeño de lo recomendado. El aislamiento térmico alrededor de la tubería puede reducir la pérdida de energía e inhibir el crecimiento del moho. Los ventiladores equipados con conductos de aire existentes pueden no alcanzar su flujo de aire nominal.

Preinstalación

OPCIONES DE INSTALACIÓN

Recomendamos instalar el ventilador fijando el cuerpo principal del ventilador a una viga de techo y utilizando una varilla para apoyar la viga adyacente según sea necesario.

Este ventilador de ventilación puede tener varias configuraciones de instalación. No se muestran todas las configuraciones. Si su instalación requiere cambios adicionales a los mostrados, consulte a un contratista con licencia para determinar la mejor forma de instalación adecuada para su proyecto. Si está reemplazando el ventilador existente, asegúrese de que la nueva rejilla pueda cubrir completamente la apertura existente.



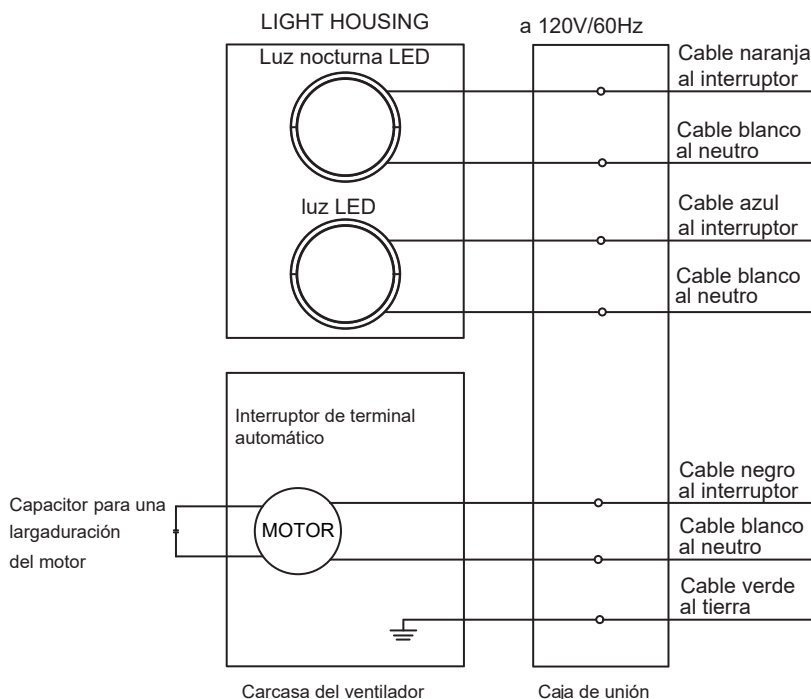
- ①. Aislamiento térmico (colocado alrededor y por encima de la cubierta del ventilador)
- ②. Carcasa del ventilador
- ③. Cable eléctrico
- ④. Espacio alrededor de la carcasa sellada
- ⑤. Tubería circular
- ⑥. Sellar la conexión del conducto de aire con cinta adhesiva
- ⑦. Codo circular
- ⑧. Sombrero de pared (con amortiguador incorporado)

ESPECIFICACIONES DEL PRODUCTO

ESPECIFICACIONES
Flujo de aire: 90 CFM
120 VOLTIOS, 60 Hz
Puissance du ventilateur: 26 W
Diámetro del conducto: 10,16 cm
Peso: 6.17LBS

ESPECIFICACIONES
Potencia de sonido: 1,5 sonios
luz LED - 15W
CCT - 2700K/4000K/5500K
Lumen - 1000lm
Luz nocturna LED - 5W - 2700K

DIAGRAMA DEL CABLEADO



INSTRUCCIONES DE CONECTORES RÁPIDOS

Se vende sólo con instrucciones de instalación.

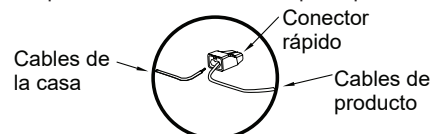
ADVERTENCIA: El cableado debe cumplir con todos los códigos eléctricos aplicables. Desconecte la alimentación antes de quitar o instalar conectores.

ADVERTENCIA: COBRE COBRE SOLAMENTE. No utilice cables de aluminio.

PRECAUCIÓN: Parte de accesorios (conector rápido) debe cumplir con las instrucciones de instalación.

NOTA: El conector es reutilizable en los alambres sólidos del mismo calibre de alambre o más pequeño. No vuelva a usar el conector de cables trenzados.

- Pele los cables de 0,95 cm - 1,27 cm
- Sujete el hilo firmemente y empuje el extremo pelado del cable en el puerto abierto del conector. Utilice sólo un conector por puerto.
- Compruebe el extremo pelado de los cables está completamente insertado en la parte posterior del conector.



NOTA: Información importante alambre. Valor máximo de la temperatura de 105° C (221° F). 600 voltios máximo para la construcción de alambre y 1000 voltios máximo en los signos y artefactos de iluminación. El rango de cable aceptable incluye: Solid: 12-18 AWG.

Instrucciones de instalación en el ático

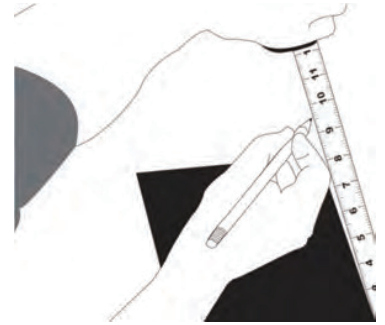
ATENCIÓN:

1. antes de instalar, asegúrese de que la fuente de alimentación del panel de servicio esté apagada.
2. no instale en el área de cocción.
3. elija la ubicación del ventilador para garantizar un rendimiento óptimo de aire y sonido. Se recomienda mantener al mínimo la longitud de la tubería y el número de codos y utilizar tuberías duras aisladas. El mayor tamaño del conducto reducirá el ruido y las restricciones de flujo de aire.
4. Los ventiladores no deben instalarse en techos con valores de aislamiento térmico superiores a r40.

Paso 1

Medir la apertura del techo

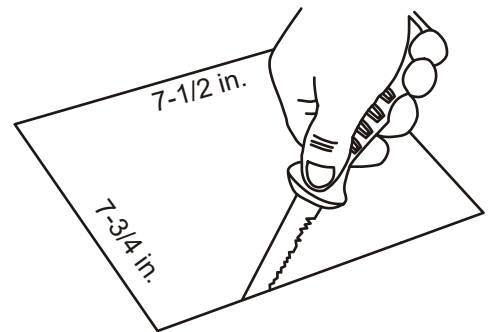
Medir la apertura para asegurarse de que es lo suficientemente grande como para ventilar la Nueva cubierta del ventilador (7 - 1 / 2 pulgadas x 7 - 1 / 4 pulgadas).



Paso 2

Cortar la apertura

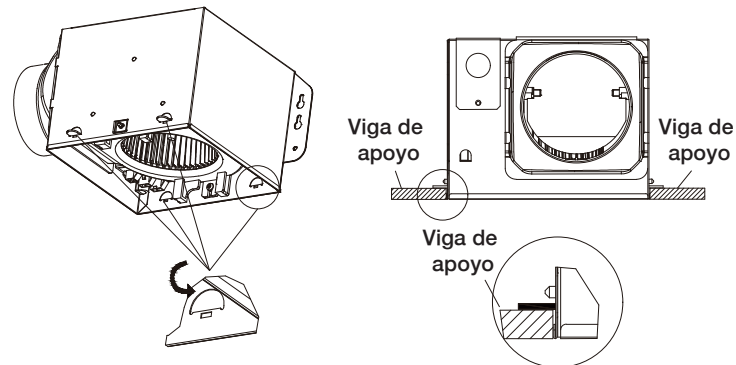
Si este ventilador no se utiliza para reemplazar el ventilador antiguo, asegúrese de cortar una apertura de 7 - 1 / 2 pulgadas x 7 - 3 / 4 pulgadas en la carcasa del ventilador.



Paso 3

Colocar la cubierta del ventilador

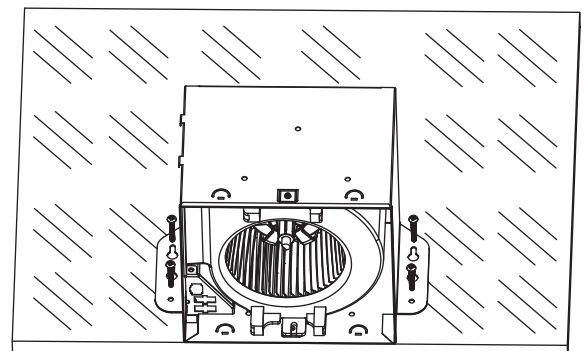
Inserte la carcasa a través de los agujeros existentes en el techo. Luego doble las cuatro orejas y coloque la cubierta del ventilador en el techo. La carcasa del ventilador debe ser horizontal y paralela a la viga de soporte.



Paso 4

Instalar la cubierta del ventilador

Si se indica, instale la cubierta del ventilador en el soporte con cuatro tornillos de madera larga.

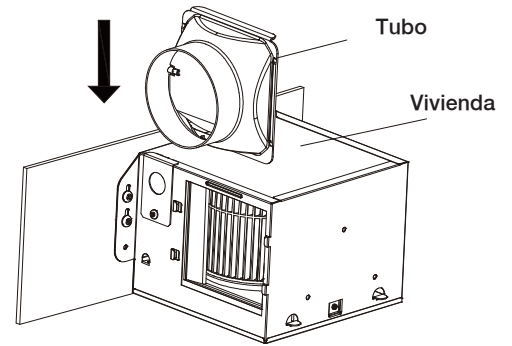


Instrucciones de instalación en el ático

Paso 5

Conecte el conector del conducto de aire a la cubierta del ventilador

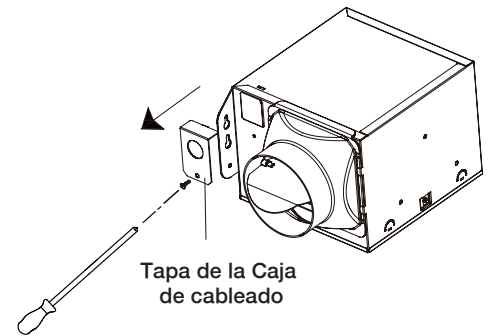
Como se muestra en la imagen, conecte el conector del conducto de aire a la cubierta del ventilador.



Paso 6

Quitar la Caja de conexiones

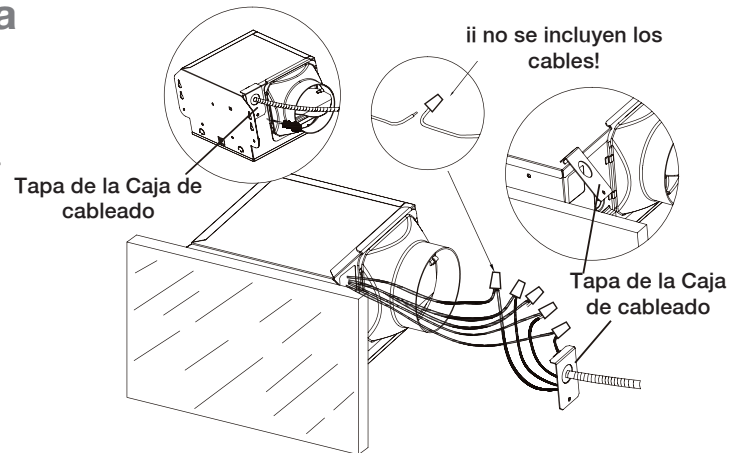
Retire la tapa de la Caja de conexiones de la carcasa.



Paso 7

Cables eléctricos que conectan la casa con el ventilador

Conecte el cable a la Caja de conexiones (excluyendo) a través del agujero. Como se muestra en el diagrama de cableado, utilice tuercas de cableado (excluidas) para fijar el cableado interior 120vac del interruptor Hall al ventilador. 14awg es el cable más pequeño utilizado para el cableado de circuitos de rama.



NOTA: antes de comenzar la instalación, asegúrese de apagar la energía del panel de servicio.

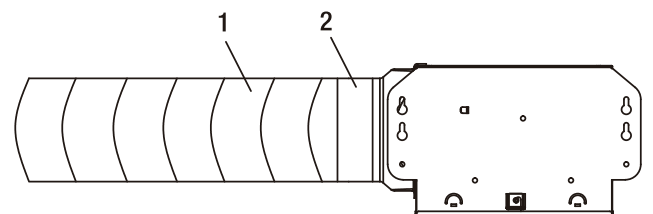
Empuje el cable de vuelta del agujero. Reconectar la tapa de la Caja de conexiones.

Paso 8

Instalación de conductos de aire

Instale un círculo de 4 pulgadas. Conductos de aire (no incluidos) y fijos con cinta o clip de conductos de aire (no incluidos). Completar las obras del techo. los agujeros del techo deben alinearse con los bordes de la cubierta del ventilador.

Nota: En contra del uso de conductos metálicos rígidos, recomendando únicamente conductos flexibles.



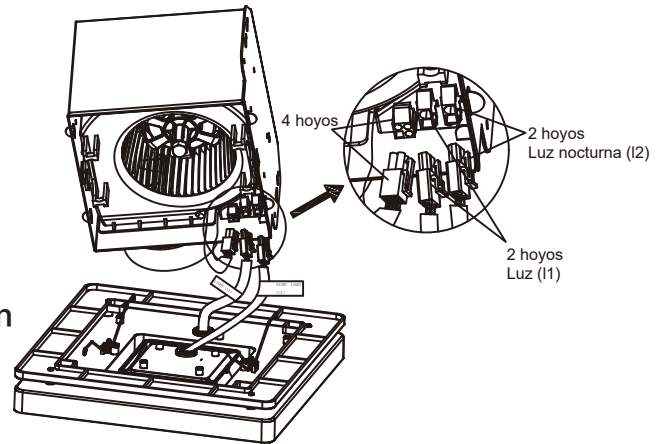
Instrucciones de instalación en el ático

Paso 9

Inserte el ventilador y la luz en la fuente de alimentación

Inserte los componentes del motor de nuevo en el dispositivo de alimentación.

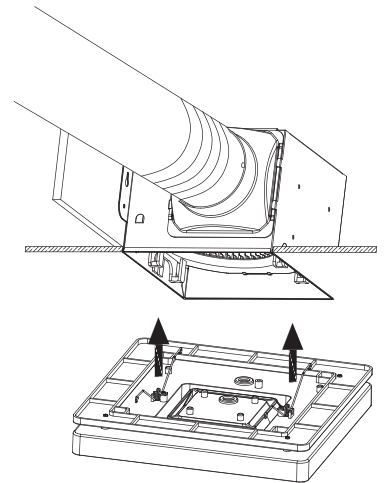
Inserte la Luz LED principal y la luz nocturna en la unidad de alimentación adecuada, como se muestra en la etiqueta.



Paso 10

Instalar panel de luz

Sujetar el resorte de montaje e introducirlo en una estrecha ranura rectangular en la carcasa del ventilador para conectar el panel led. Unidad de prueba.



Paso 11

Elija el interruptor de pared adecuado

Conecte correctamente los cables eléctricos con un interruptor de pared de tres brazos oscilantes.

Nota: También se pueden utilizar interruptores basculantes ordinarios. Si desea utilizar nuestros interruptores para obtener más funciones, puede que le interesen las siguientes opciones.

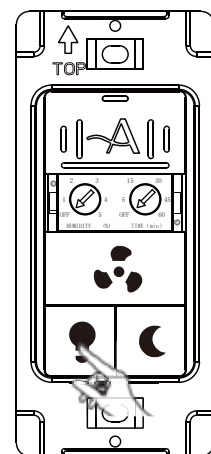
1. se recomienda el conmutador AK - SW - flht con akicon (excluyendo)

- para controlar el ventilador: encendido / apagado a través de la primera mecedora

-Para controlar la luz principal: Pulsa brevemente el segundo balancín para encender o apagar la iluminación.

-Para controlar la luz nocturna: Encienda/apague con el tercer balancín.

-Para cambiar el control de la temperatura del color: Pulse el segundo botón basculante On/Off/On para cambiar la temperatura de color. Después de 7s apagado, la luz mantiene la última memoria cuando se enciende / apaga de nuevo.



Instrucciones de instalación en el ático

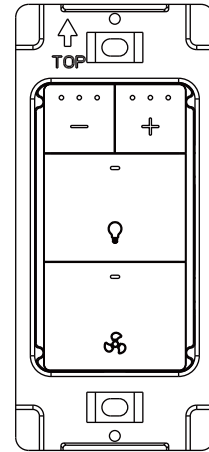
2. Se recomienda el interruptor AK-SW-FLDN de Akicon (no incluido)

-Para controlar el ventilador: Pulse brevemente el botón del ventilador para activar/desactivar.

-Para controlar la luz principal: Para controlar la luz principal: Pulse brevemente el botón de la luz para encenderla o apagarla (mantenga pulsado durante 3 segundos para entrar o salir del modo de luz nocturna).

-Para controlar la luz nocturna: Pulsación larga durante 3 segundos para entrar o salir del modo de luz nocturna.

-Para cambiar el control de la temperatura del color: Activa/desactiva el botón de la luz para cambiar la temperatura del color. Después de 7s apagado, la luz mantiene la última memoria cuando se enciende / apaga de nuevo.



Instrucciones de instalación sin ático

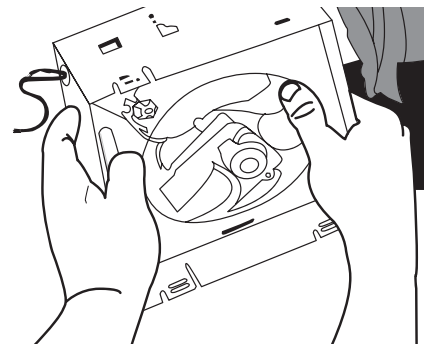
ATENCIÓN:

1. antes de instalar, asegúrese de que la fuente de alimentación del panel de servicio esté apagada.
2. no instale en el área de cocción.
3. elija la ubicación del ventilador para garantizar un rendimiento óptimo de aire y sonido. Se recomienda mantener al mínimo la longitud de la tubería y el número de codos y utilizar tuberías duras aisladas. El mayor tamaño del conducto reducirá el ruido y las restricciones de flujo de aire.
4. Los ventiladores no deben instalarse en techos con valores de aislamiento térmico superiores a r40.

Paso 1

Eliminar los ventiladores existentes

Retire el viejo ventilador del techo.



Paso 2

Medir la apertura del techo

Medir la apertura para asegurarse de que es lo suficientemente grande como para ventilar la Nueva cubierta del ventilador (7 - 1 / 2 pulgadas. X7 - 1 / 4 pulgadas).



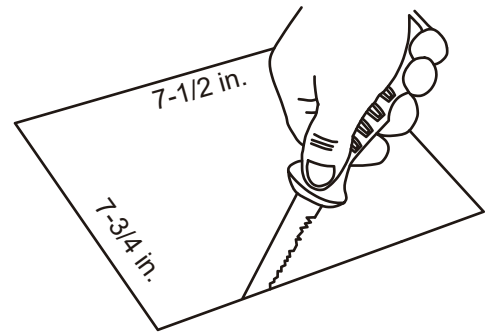
Nota: el lado de 7 - 1 / 2 pulgadas de la apertura debe estar lleno de carpintería.

Instrucciones de instalación sin ático

Paso 3

Ampliar la apertura

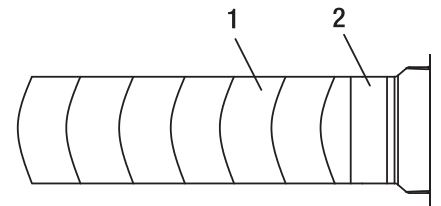
Si este ventilador no se utiliza para reemplazar el ventilador antiguo, asegúrese de cortar una apertura de 7 - 1 / 2 pulgadas x 7 - 3 / 4 pulgadas para el cuerpo del ventilador (a). Asegúrese de que el lado de 7,30 pulgadas de la apertura esté nivelado con la viga de soporte para instalarlo desde abajo.



Paso 4

Conecte la conexión del conducto al conducto

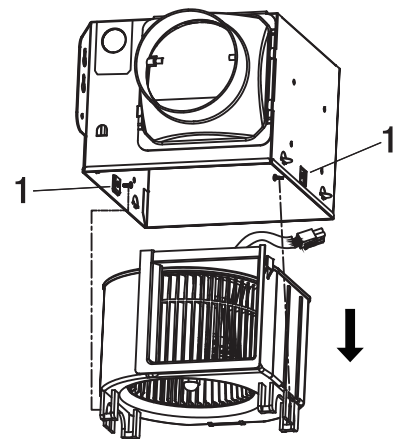
Instale un conducto circular de 4 pulgadas (excluyendo) (1) y fije (2) con cinta o clip del conducto (excluyendo). Completar las obras del techo. los agujeros del techo deben alinearse con los bordes de la carcasa del ventilador.



Paso 5

Quitar el conjunto motor del ventilador

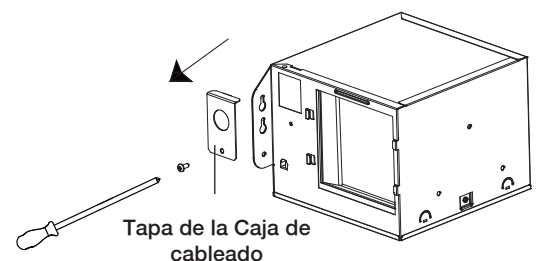
Quitar los dos tornillos que fijan el motor del ventilador (1)
Montaje en su lugar. Retire el conjunto del motor del ventilador de la carcasa del ventilador. Desconecte la unidad de alimentación del ventilador.



Paso 6

Quitar la Caja de conexiones

Retire la tapa de la Caja de conexiones de la cubierta del ventilador con un destornillador cruzado (excluyendo).

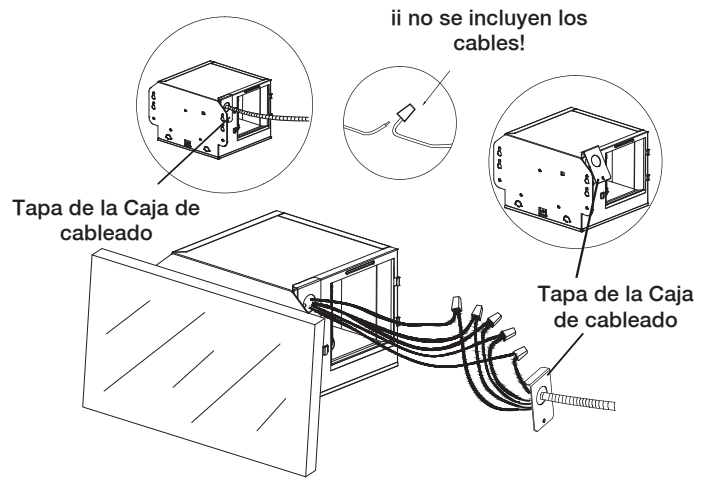


Instrucciones de instalación sin ático

Paso 7

Cables eléctricos que conectan la casa con el ventilador

Conecte el cable a la Caja de conexiones (excluyendo) a través del agujero. Como se muestra en el diagrama de cableado, utilice tuercas de cableado (excluidas) para fijar el cableado interior 120vac del interruptor Hall al ventilador. 14awg es el cable más pequeño utilizado para el cableado de circuitos de rama



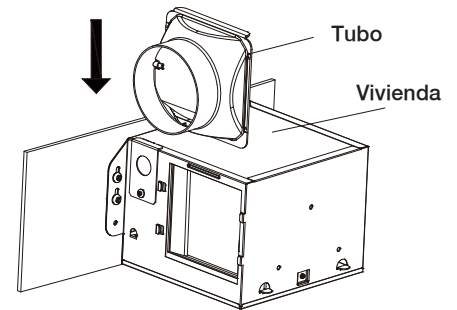
Nota: antes de comenzar la instalación, asegúrese de apagar la energía del panel de servicio.

Empuje el cable de vuelta del agujero. Reconectar la tapa de la Caja de conexiones.

Paso 8

Conecte el conector del conducto de aire a la cubierta del ventilador

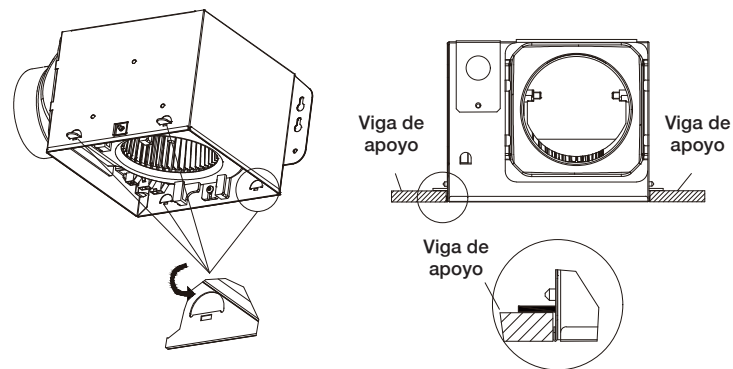
Como se muestra en la imagen, conecte el conector del conducto de aire a la cubierta del ventilador.



Paso 9

Colocar la cubierta del ventilador

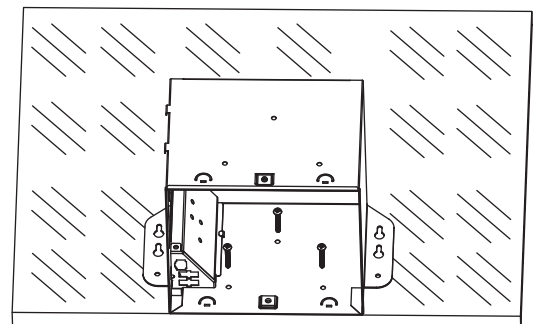
Inserte la carcasa a través de los agujeros existentes en el techo. Luego doble las cuatro orejas y coloque la cubierta del ventilador en el techo. La carcasa del ventilador debe ser horizontal y paralela a la viga de soporte.



Paso 10

Instalar la cubierta del ventilador

Si se indica, instale la cubierta del ventilador en el soporte con cuatro tornillos de madera larga.

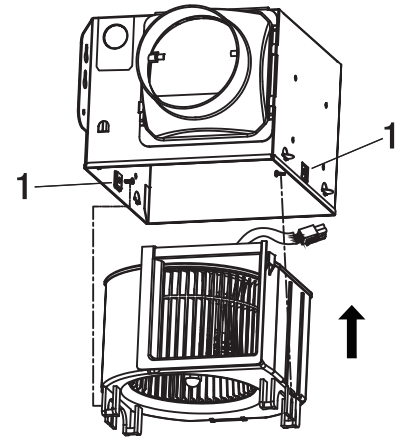


Instrucciones de instalación sin ático

Paso 11

Reconectar el conjunto motor del ventilador

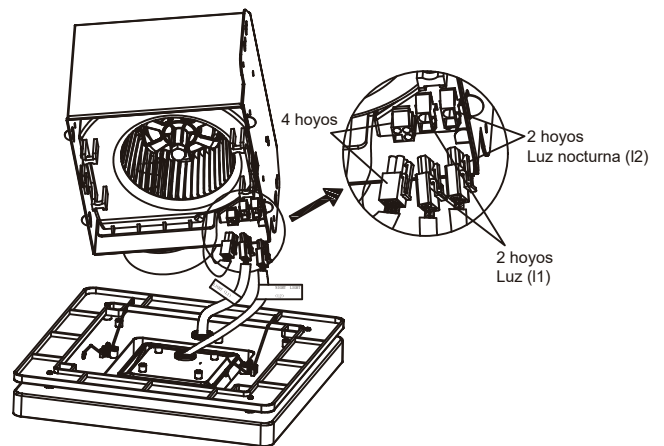
Inserte los componentes del motor de nuevo en el dispositivo de alimentación. Uso de cuatro componentes de motor reconectados
Tornillos retirados en el paso 5 (1).



Paso 12

Inserte el ventilador y la luz en la fuente de alimentación

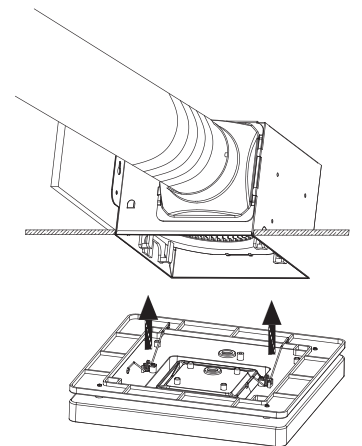
Inserte los componentes del motor de nuevo en el dispositivo de alimentación.
Inserte la Luz LED principal y la luz nocturna en la unidad de alimentación adecuada, como se muestra en la etiqueta.



Paso 13

Instalar panel de luz

Sujetar el resorte de montaje e introducirlo en una estrecha ranura rectangular en la carcasa del ventilador para conectar el panel led. Unidad de prueba.



Instrucciones de instalación sin ático

Paso 14

Elija el interruptor de pared adecuado

Conecte correctamente los cables eléctricos con un interruptor de pared de tres brazos oscilantes.

Nota: También se pueden utilizar interruptores basculantes ordinarios. Si desea utilizar nuestros interruptores para obtener más funciones, puede que le interesen las siguientes opciones.

1. se recomienda el conmutador AK - SW - flht con akicon (excluyendo)

- para controlar el ventilador: encendido / apagado a través de la primera mecedora

- Para controlar la luz principal: Pulsa brevemente el segundo balancín para encender o apagar la iluminación.

- Para controlar la luz nocturna: Encienda/apague con el tercer balancín.

- Para cambiar el control de la temperatura del color: Pulse el segundo botón basculante On/Off/On para cambiar la temperatura de color. Después de 7s apagado, la luz mantiene la última memoria cuando se enciende / apaga de nuevo.

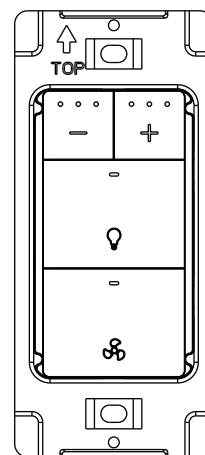
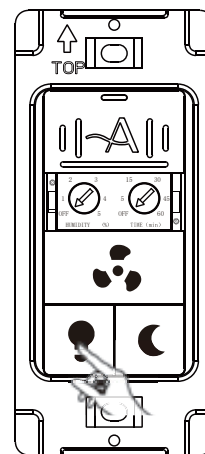
2. Se recomienda el interruptor AK-SW-FLDN de Akicon (no incluido)

- Para controlar el ventilador: Pulse brevemente el botón del ventilador para activar/desactivar.

- Para controlar la luz principal: Para controlar la luz principal: Pulse brevemente el botón de la luz para encenderla o apagarla (mantenga pulsado durante 3 segundos para entrar o salir del modo de luz nocturna).

- Para controlar la luz nocturna: Pulsación larga durante 3 segundos para entrar o salir del modo de luz nocturna.

- Para cambiar el control de la temperatura del color: Activa/desactiva el botón de la luz para cambiar la temperatura del color. Después de 7s apagado, la luz mantiene la última memoria cuando se enciende / apaga de nuevo.



Cuidado y mantenimiento

ADVERTENCIA: Desconecte el suministro de electricidad antes de realizar tareas de mantenimiento. Vea a INFORMACIÓN DE SEGURIDAD antes de proceder.

Se debe realizar mantenimiento de rutina al menos una vez al año.

- Lave la rejilla con agua y jabón suave, y seque con un paño.
- Retire el exceso de polvo y suciedad de la carcasa del ventilador con una aspiradora.
- No use solventes, disolventes ni químicos agresivos para limpiar el ventilador.
- No permita que entre agua en el motor.
- No sumerja las piezas de resina en agua con una temperatura superior a 60° C.

Solución de problemas

PROBLEMA	CAUSA POSIBLE	ACCIÓN CORRECTIVA
El ventilador hace más ruido de lo que debería	Los m ³ /min son demasiados.	Asegúrese de que la clasificación de m ³ /min. en el ventilador coincida con el tamaño de su habitación.
	El regulador de tiro no funciona en forma adecuada o está dañado.	Revise el regulador de tiro para garantizar que se abra y cierre correctamente. Si el regulador de tiro se ha dañado, llame al Servicio al Cliente.
	El pliegue del conducto está demasiado cerca de la descarga del ventilador.	Asegúrese de que no haya bordes filosos en el conducto a menos de 45,72 cm de la descarga del ventilador.
	La descarga del ventilador se ha reducido para adaptarse a un conducto de menor tamaño.	Utilice los conductos de tamaño recomendado para reducir el sonido del ventilador.
	La carcasa del ventilador no está bien ajustada.	Asegúrese de que el ventilador esté bien fijado a las viguetas del techo.
El ventilador no ventila la habitación	El flujo de entrada de aire dentro de la habitación es inadecuado.	Asegúrese de que una puerta o ventana quede levemente entreabierta o abierta para permitir el flujo de aire. El ventilador no absorbe aire de la habitación porque no hay suficiente flujo de aire.
	El nivel de m ³ /min. es insuficiente.	Asegúrese de que la clasificación de m ³ /min. del ventilador coincida con los requisitos del tamaño de su habitación. NOTA: Utilizar un pañuelo descartable no es un método preciso para determinar si el ventilador funciona correctamente. Si el ventilador elimina el vapor de la habitación en aproximadamente 15 minutos después de haber finalizado su ducha, entonces el ventilador funciona correctamente.
La temperatura del color cambia al encender la luz.	Se apaga en menos de 7 segundos.	El extractor viene con una función de memoria, Apagar la luz durante más de 7 segundos y encenderla de nuevo puede mantener la temperatura del color.

Garantía limitada de 3 años

Si este producto falla en algún momento del año anterior a su posesión debido a defectos en el material o el proceso, el fabricante lo reemplazará de forma gratuita y pagará el franqueo por sí mismo. Esta garantía no incluye productos abusados, cambiados, dañados, mal utilizados, cortados o desgastados. Esta garantía no incluye el uso en aplicaciones comerciales. Este ventilador solo se puede reparar utilizando el mantenimiento de garantía genuina proporcionado por el fabricante para reemplazar las piezas. El uso de piezas de reparación no genuinas invalidará su garantía. El fabricante niega todas las demás garantías implícitas o explícitas, incluidas todas las garantías de comerciabilidad y / o aplicables a un uso específico. Debido a que algunos Estados no permiten exclusiones o restricciones a las garantías implícitas, las exclusiones y restricciones anteriores pueden no aplicarse. Esta garantía le ofrece derechos legales específicos, y puede tener otros derechos diferentes de los Estados.

Esta garantía se limita a reemplazar piezas defectuosas. No se incluyen los costos laborales y / o los daños incurridos durante la instalación, mantenimiento, reemplazo y los daños colaterales e indirectos relacionados con lo anterior. Cualquier daño causado a este producto por negligencia, mal uso, accidente, instalación inadecuada o uso no intencional invalidará esta garantía.

Como parte de la reclamación de garantía, el flete de la devolución debe ser pagado por el cliente.

Para consultas sobre reclamaciones de garantía, llame al + 1 (888) 828 2025, de 8 a.m. a 6 p.m. est de lunes a jueves, y de 8 a.m. a 5 p.m. est del viernes.