

# LSWS307ST / LSWS300BD

## 4.7 cu. ft. Single Wall Oven



### Pro-Style Knob Control Design

4.7 cu.ft Oven

EasyClean®

Self-Cleaning

Wi-Fi Connectivity

2 Heavy Duty Racks with 1 Gliding Rack

2 Year Limited Warranty



SUMMARY	
Type	Single Wall Oven
Oven Capacity (cu. ft.)	4.7
Color	Stainless Steel, Black Stainless Steel
OVEN FEATURES	
Capacity (cu.ft)	4.7
EasyClean®	Yes
Self Clean	Yes
Variable cleaning time	Yes (3,4,5 hrs)
Variable broil	Yes (Full, Center / High, Med, Low)
Broil element	2,500 watts inner /1,500 watts outer
Broil element pass	8
Bake element	2,500 watts
Bake element type	Hidden (8 pass)
# of rack position	5
12 hrs. shut-off	Yes
- # of light	3 (Halogen Lamp - 3 dimension lighting)
Convection conversion	Yes
-Convection element	Yes (2,000 watts)
Proof	Yes
Variable warm	Yes (High, Med, Low)
Wi-fi	Yes
DIMENSIONS / CLEARANCES / WEIGHT	
Product (W x H x D)	29-3/4" x 29-5/16" x 24-3/8"
Cut-out (W x H x D)	28-1/2" x 29" x 23-1/2"
Packing (W x H x D)	33" x 30" x 34"
Product Weight (lbs)	Approx. 71.2 kg (157lbs)
Shipping Weight (lbs)	Approx. 81.2 kg (179lbs)

POWER/RATINGS	
Amp at 240V	4.1 KW
kW at 240V	120/240 VAC,120/208 VAC
Requirements	17.3A
APPEARANCE	
All Available Colors	Stainless Steel, Black Stainless Steel
Handle/Knobs	LSWS307ST: Stainless Steel Finish (Aluminum) LSWS300BD: Black Stainless Steel Finish (Aluminum)
Knobs	Pro-Style Knob Control Design
Scratch Resistant	Yes (Black Stainless Only)
PrintProof Finish™	Yes (Black Stainless Only)
ACCESSORIES	
Broiler pan	1
Griddle	1
Meat probe	1
Heavy Duty Rack	2
Gliding Rack	1
LIMITED WARRANTY	
Parts & Labor	2 Years Parts and Labor
UPC CODES	
LSWS307ST (Stainless Steel)	048232338485
LSWS300BD (Black Stainless Steel)	048232338652

## LSWS307ST / LSWS300BD

4.7 cu. ft. Single Wall Oven



## QUICK INSTALL &amp; CLEARANCES

**For full installation directions/clearances please refer to the corresponding User Manual and Installation Guide.**

The first step of the installation is measure the current cutout dimensions and compare them to the cutout dimensions shown below. Little or no cabinet work may be necessary.

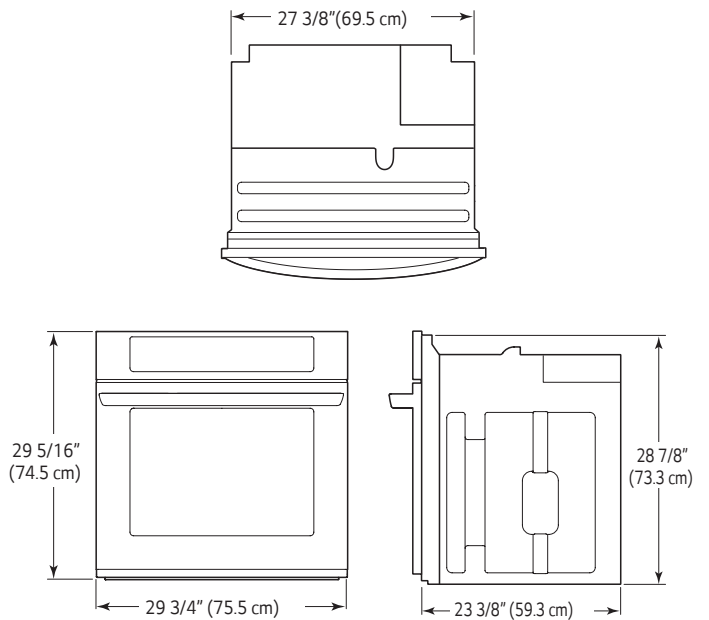
## DIMENSIONS/CLEARANCES

Product (W x H x D)	29-3/4" x 29-5/16" x 24-3/8"
Cut-out (W x H x D)	28-1/2" x 29" x 23-1/2"
Shipping Carton (W x H x D)	33" x 30" x 34"

## POWER/RATINGS

Amp at 240V	4.1 KW
kW at 240V	120/240 VAC, 120/208 VAC
Requirements	17.3A

## PRODUCT DIMENSIONS



## IMPORTANT NOTES

- The cabinet base platform must be able to support 190lbs (86kg). If the cabinet does not have a solid bottom, two braces or runners must be installed level with the bottom of the cutout to support the weight of the oven. Make sure the base is level and the front of the cabinet is square. If the cabinet base is not level, the oven glides will tend to slide out when opening the door.
- If marks, blemishes or the cutout opening are visible above the installed oven, it may be necessary to add wood shims under the runners and front trim until the marks or opening are covered.
- If the cabinet does not have a front frame and the sides are less than 3/4" (1.9 cm) thick, shim both sides equally to establish the cutout width.
- The junction box must be flush with the rear wall of the cabinet as shown below.
- Allow at least a 23" clearance for the door depth when it is open.
- Kitchen cabinets in contact with the oven must be heat resistant up to 194°F (90°C), and fronts of nearby units up to at least 158°F (70°C).

## CUTOUT DIMENSIONS

