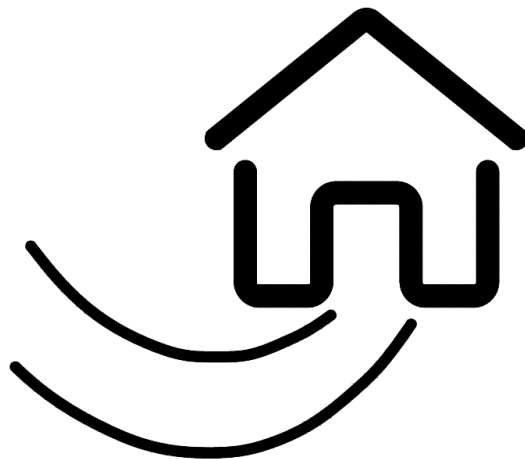


# HAPPINESS HAPPINESS INSTALLATION



## CAUTION

Part are placed at the bottom of the product.

- If you have any questions with the product, please contact us by:
- **Email: [customerservice@zoy-living.com](mailto:customerservice@zoy-living.com)**  
(we will reply to you within 24 hours)

# Assembly Instructions

0254-00M

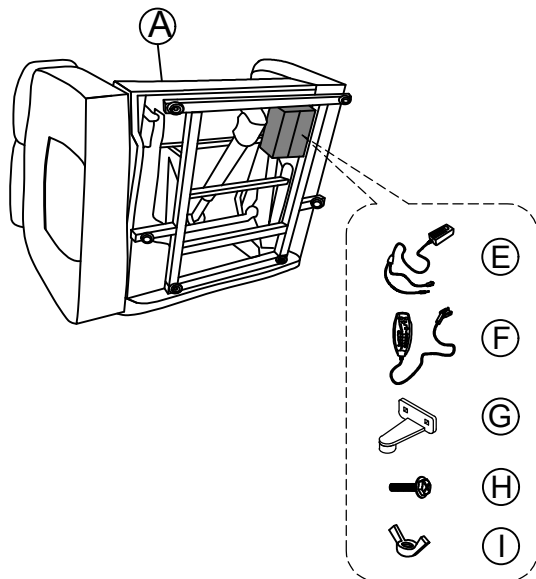
Your recliner comes packaged in one box. Carefully remove all of components from the packaging and set aside for assembly.

**CAUTION:**  
DO NOT use any sharp objects to open plastic wrapped components as damage to product or components may result.

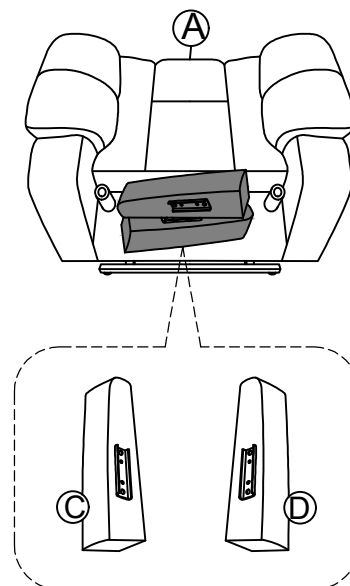
## Package Contents

x1	x1	x1	x1
x1	x1	x2	x4
Power Source	Massage Remote	G* Supporting Feet	H* Bolt
			x4 I* Gaskets

**Step 1:** Take accessory boxes attached under the iron frame of the chair

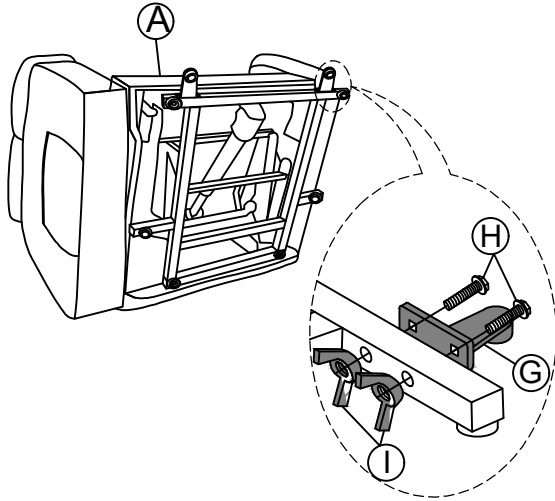


**Step 2:** Take out 2 Ears (C&D) in backside of Chair Seat (A)

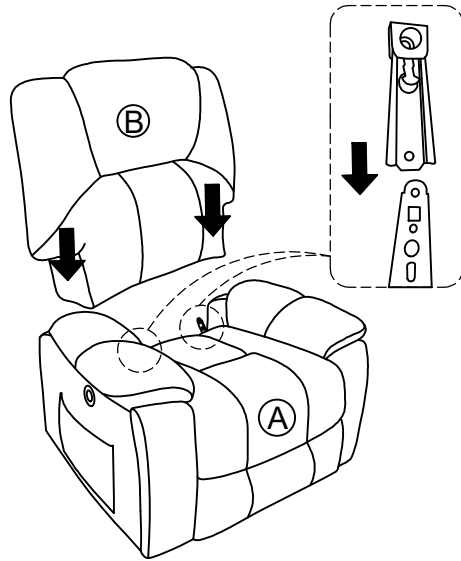


Ensure the backrest is fully inserted to the bottom along the metal slot to avoid tilting or moving. And please not sit on the armrests for the user's safety.

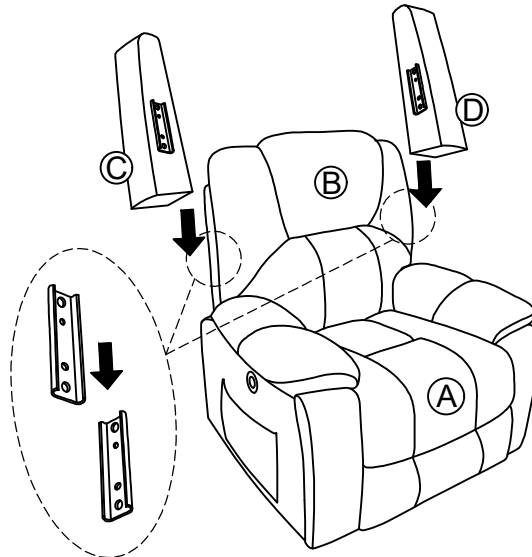
**Step 3:** Find a small bag in the accessories box. Take out Supporting Feet(G) from the small bag. Assemble the two Supporting Feet as shown on the bottom of mechanism to avoid toppling and falling.



**Step 4:** Install backrest(B) on the chair(A).



**Step 5:** Attach LEFT Ears/RIGHT Ears(C&D) to the Backrest(B) Ensuring it is correctly in place.



Ensure the backrest is fully inserted to the bottom along the metal slot to avoid tilting or moving. And please not sit on the armrests for the user's safety.

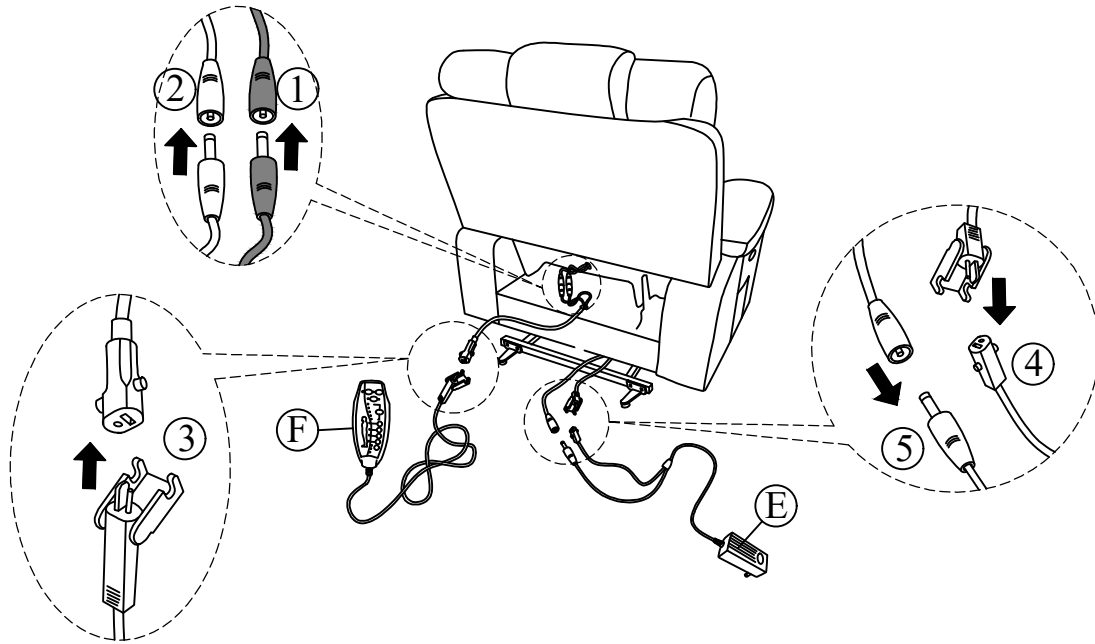
**Step 6:**

No.1 and No.2 wires connect the backrest to the chair seat

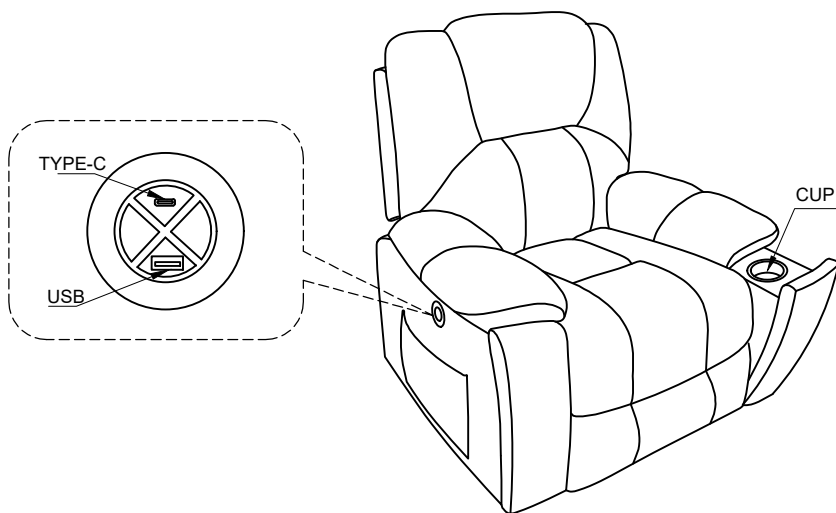
No.3 wire connects up the backrest and massage remote.

No.4 wire connects the motor with the wire from right armrest, which has a control panel.

No.5 wire connects the motor to the power source.

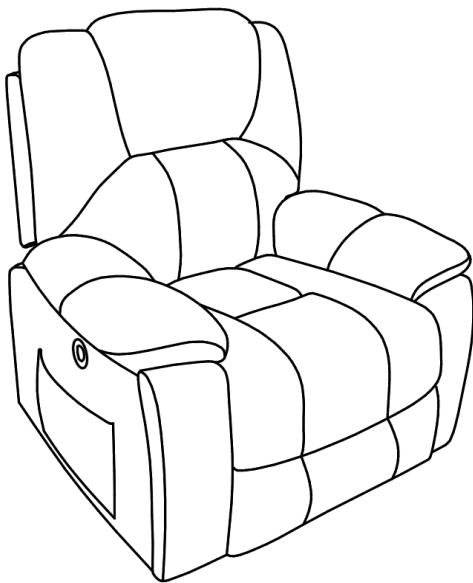
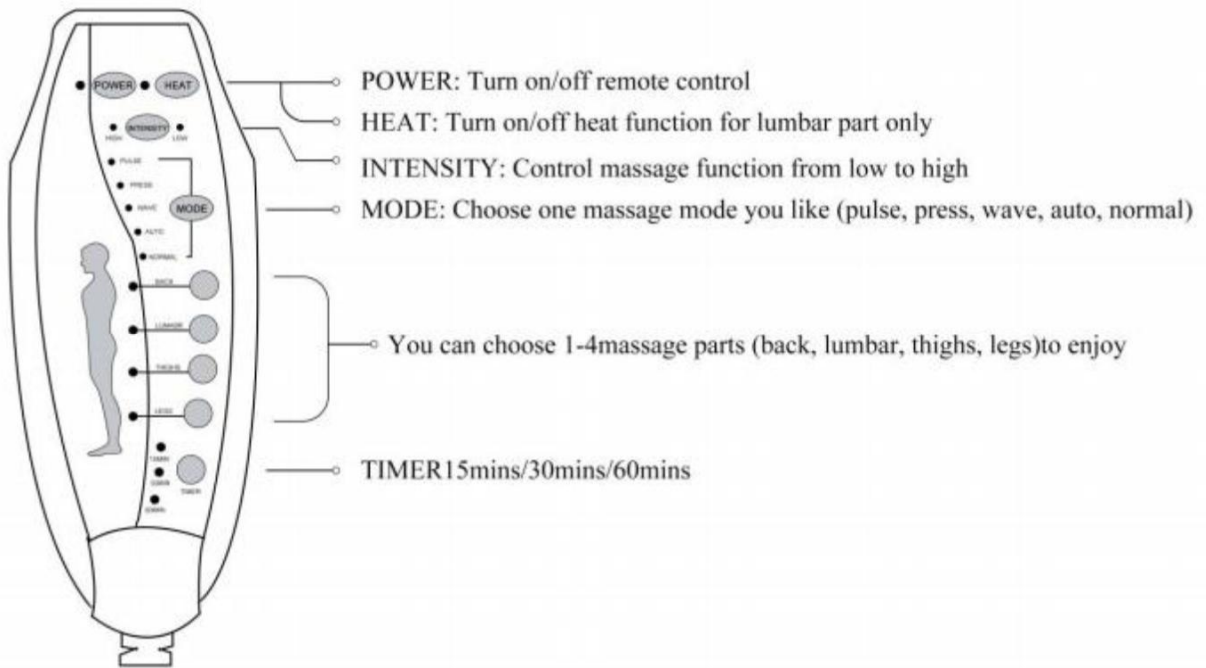


**Step 7: Assembly is complete.**



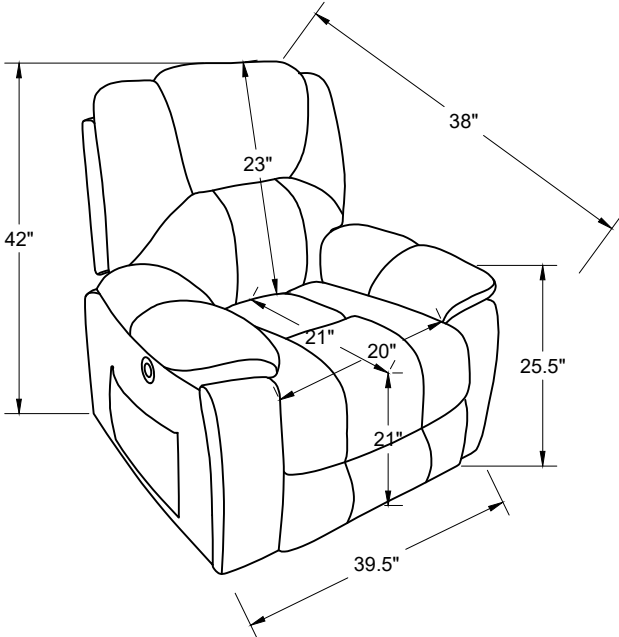
Ensure the backrest is fully inserted to the bottom along the metal slot to avoid tilting or moving. And please not sit on the armrests for the user's safety.

## Operation Instruction

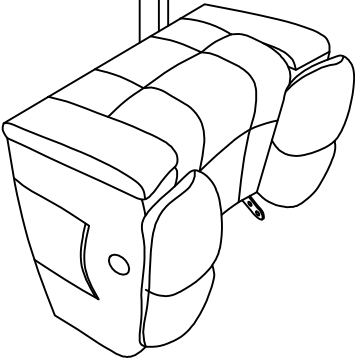
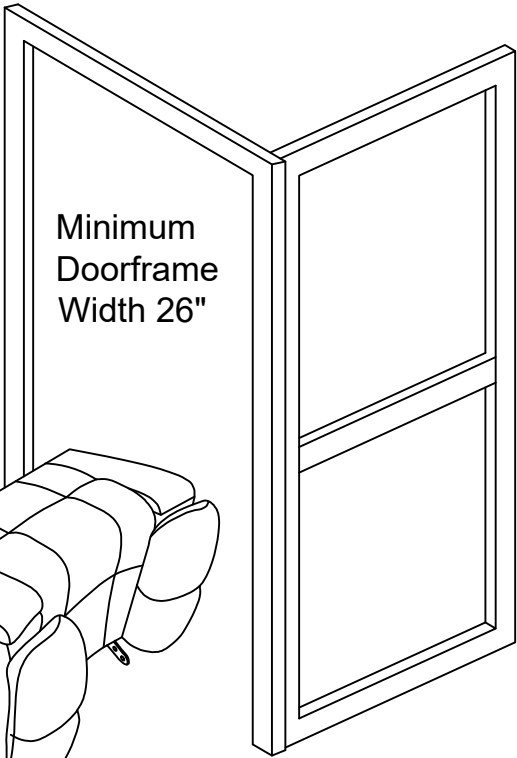
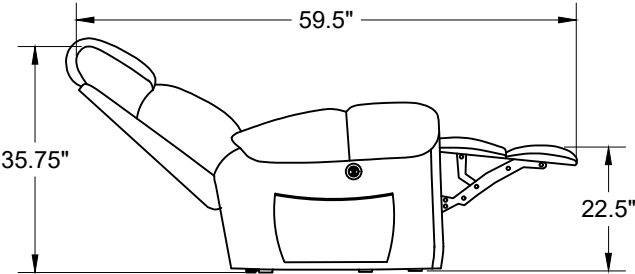


*Different positions by pressing **the buttons** of left armrest to switch, the lift recliner chair can meet your various needs.*

0254-00M



Seat cushion weight capacity: 160kg



Rotate sofa 90 to fit through the door before attach back cushion and pillow

## Warnings

1. Please check if the components of the chair are all included and can be used normally.
2. Assemble all components according to the instruction correctly before you connect the chair to the power.
3. Please DO NOT sit on the armrests or footrest to eliminate the risk of tipping over.
4. If the chair is damaged or doesn't match the website description, please send clear pictures of the product and label of the carton to our service team for further help.
5. If the recliner doesn't work, you may try the following measures for self-checking firstly:
  - a) Check if all the cables are connected;
  - b) Check if the light of transformer is on.

If the chair still doesn't work, please feed the information back to our customer service in time and we'll help you solve the matter as soon as possible.

6. If you have any questions with the product, please contact us by:

Email: [customerservice@zoy-living.com](mailto:customerservice@zoy-living.com) (we will reply to you within 24 hours)

