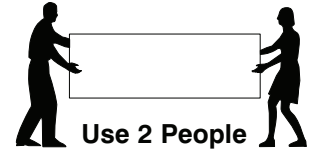
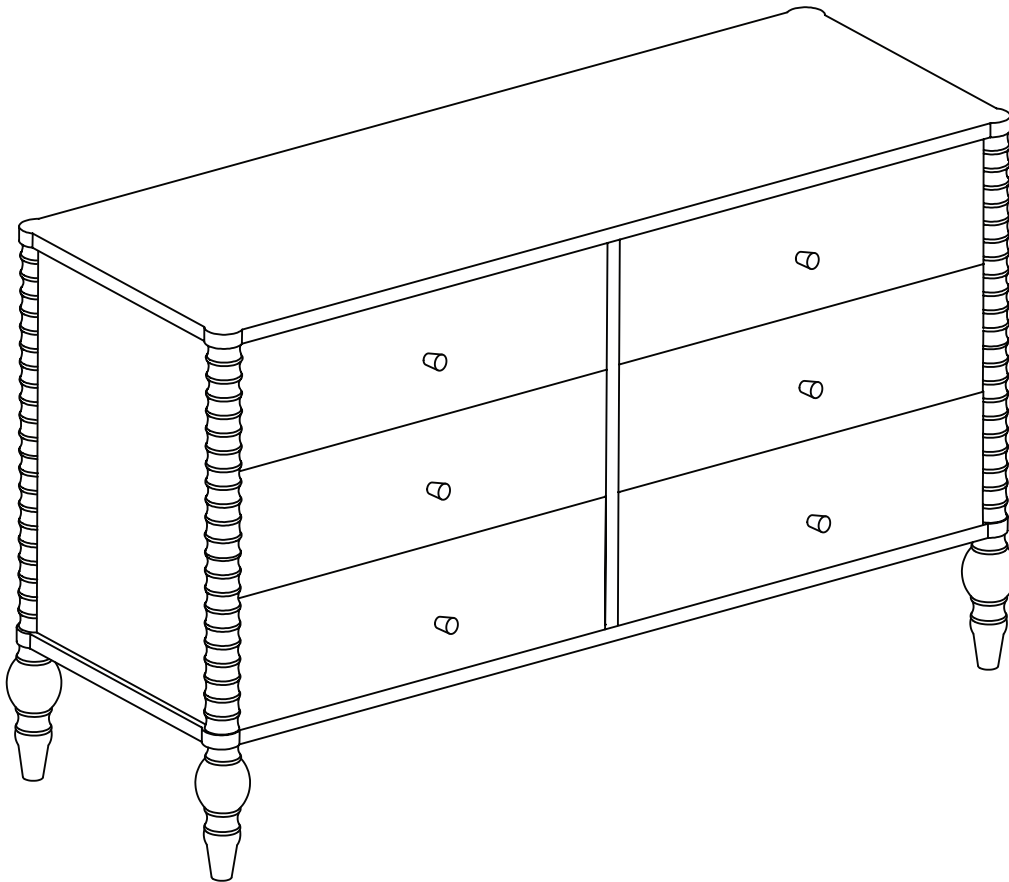


# 9020 6 Drawer Dresser

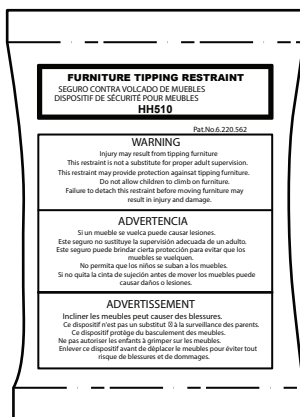
## Assembly Instructions

WI-0825



**Note:** Do not assemble using power tools. This can cause the bolts to be overtightened

### WARNING



Anti Tipping Kit  
Anti Tipping Kit x 1



Children have died from furniture tipover.

To reduce the risk of furniture tipover:

- ALWAYS install anti-tip device provided.
- NEVER put a TV on this product.
- NEVER allow children to stand, climb, or hang on any drawers, doors or shelves.
- NEVER open more than one drawer at a time.
- DO NOT defeat or remove the drawer interlock system; it is an important stability and safety system.
- Place heaviest items in the lowest drawer.

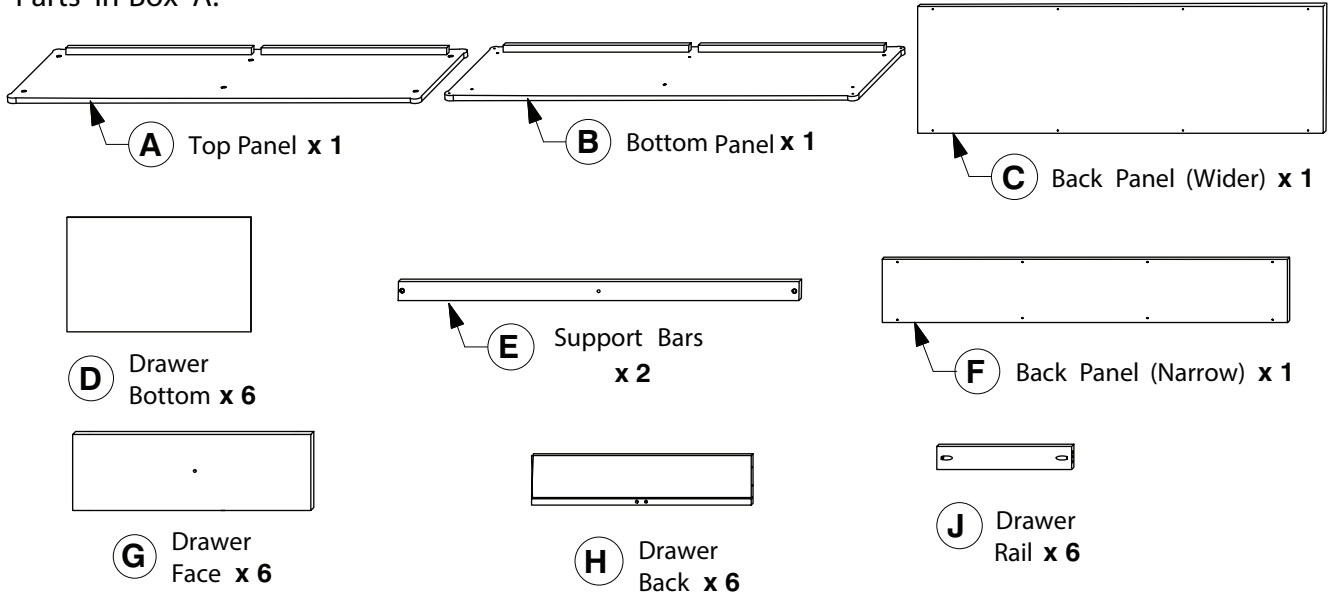
# 9020 6 Drawer Dresser

## Assembly Instructions

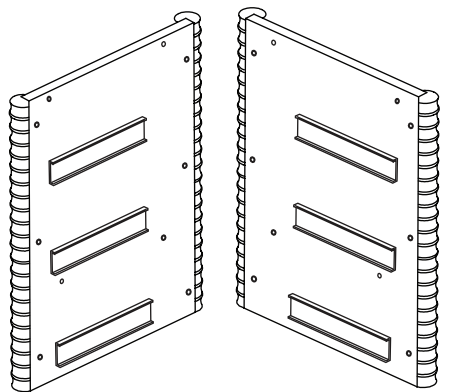
WI-0825

### 1 Parts List

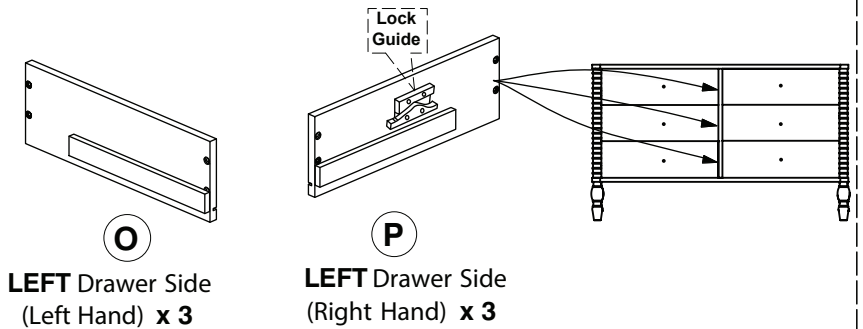
Parts in Box A:



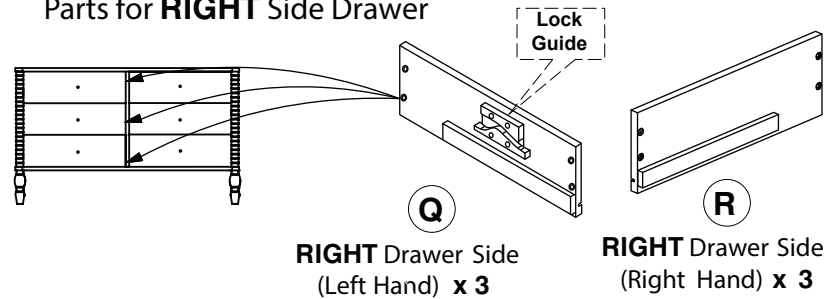
Parts in Box B:



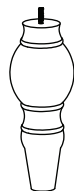
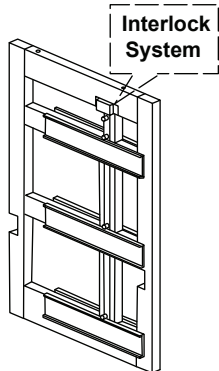
Parts for **LEFT** Side Drawer



Parts for **RIGHT** Side Drawer



**M** Center Frame x 1  
**N** Post x 4

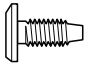
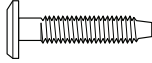

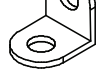
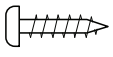
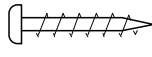
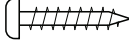
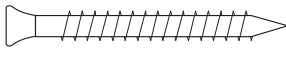
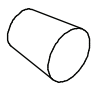
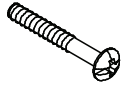




# 9020 6 Drawer Dresser

## Assembly Instructions

WI-0825

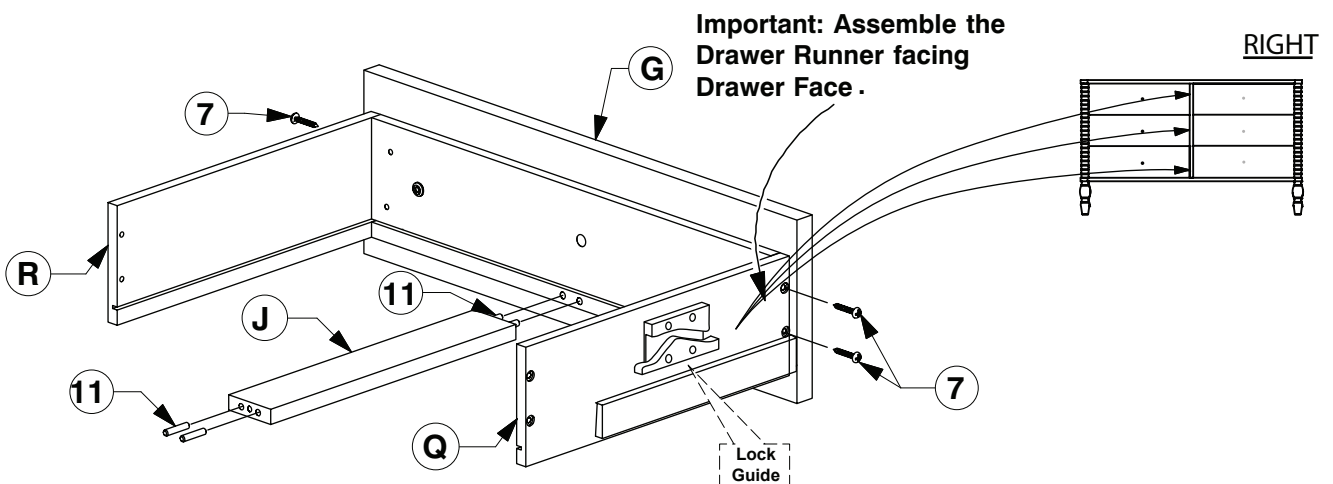
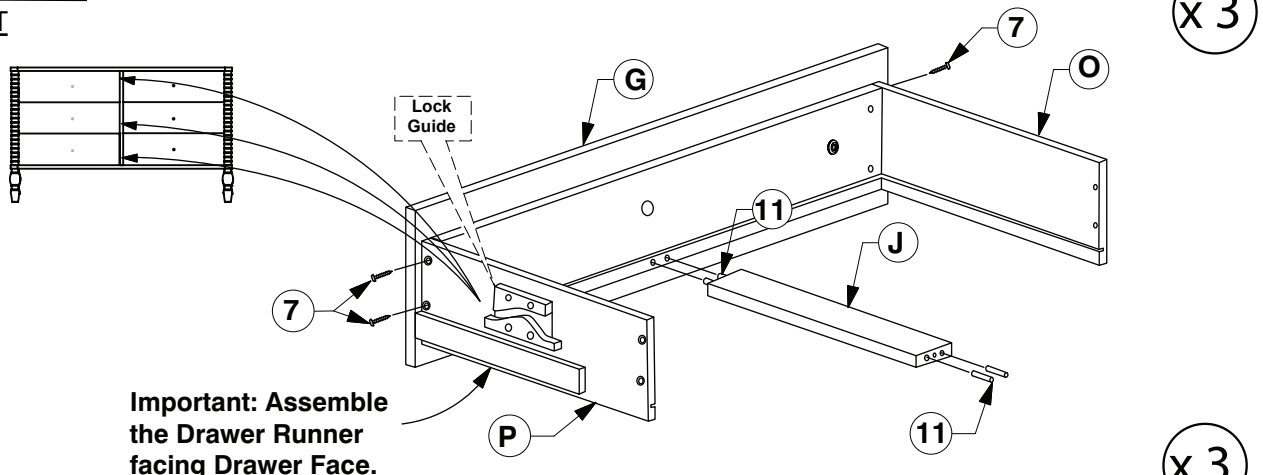
### 2 Hardware List

- |   |   |  |   |
|---|---|--|---|
|  |  |  |  |
| 1 M6 x 15mm JCB x 16  | 2 M6 x 30mm JCB x 2   | 3 M6 x 60mm JCB x 2  | 4 'L' Bracket (5005-3) x 8  |
|  |  |  |  |
| 5 Wood Screw (M4 x 20mm) x 24   | 6 Wood Screw (M4 x 32mm) x 16   | 7 Wood Screw (M4 x 25mm) x 60  | 8 CSK Cap Wood Screw (M6 x 50mm) x 6  |
|  |  |  |  |
| 9 Handle (1005) x 6   | 10 M4 x 22mm Wood Screw x 6   | 11 M6 x 25mm Wood Dowel x 24   | 12 Allen Key x 1  |

### 3 Assemble the Drawers.

#### STEP 3.1

LEFT



# 9020 6 Drawer Dresser

## Assembly Instructions

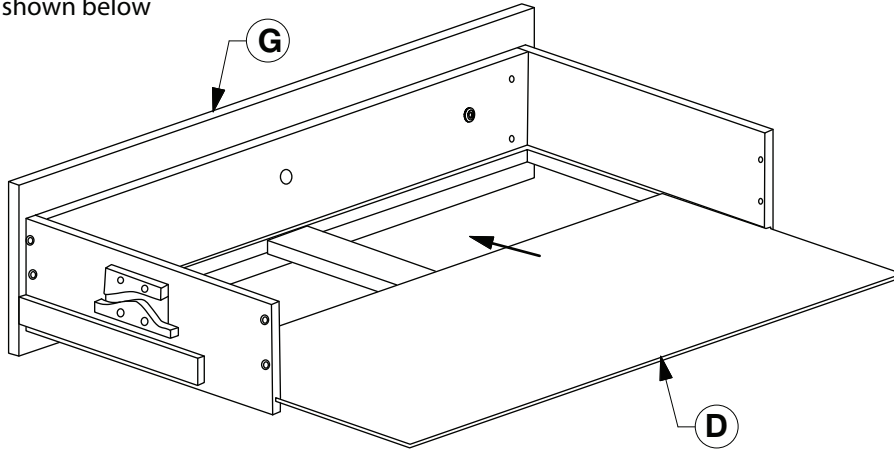
WI-0825

### 3 Assemble the Drawers.

#### STEP 3.2

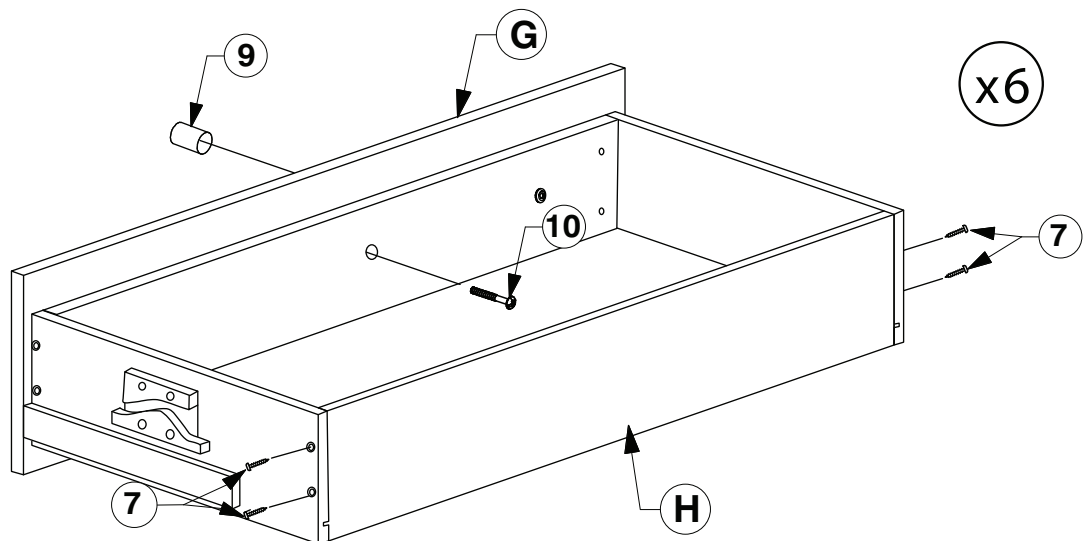
x6

\* 3 Assemble the left and right drawers as shown below



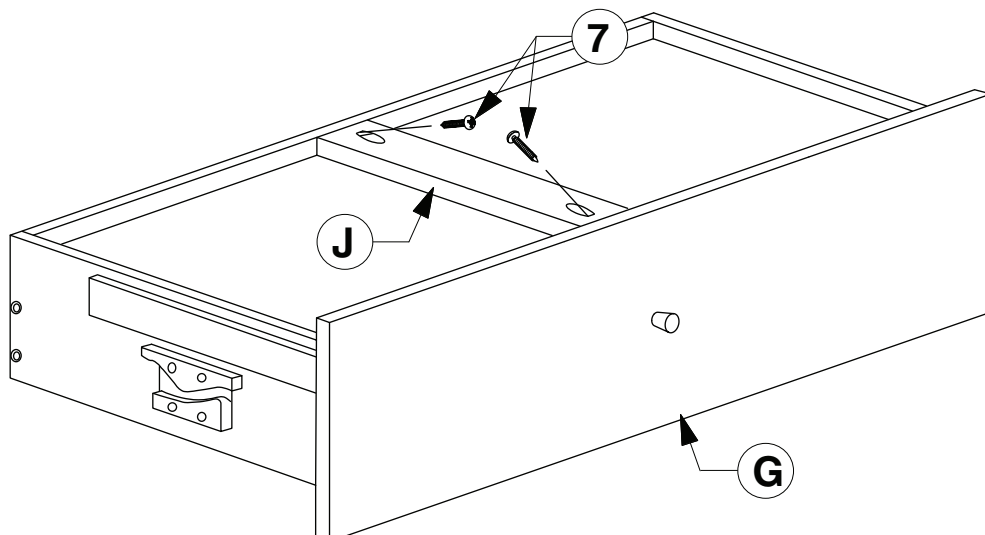
#### STEP 3.3

x6



#### STEP 3.4

x6

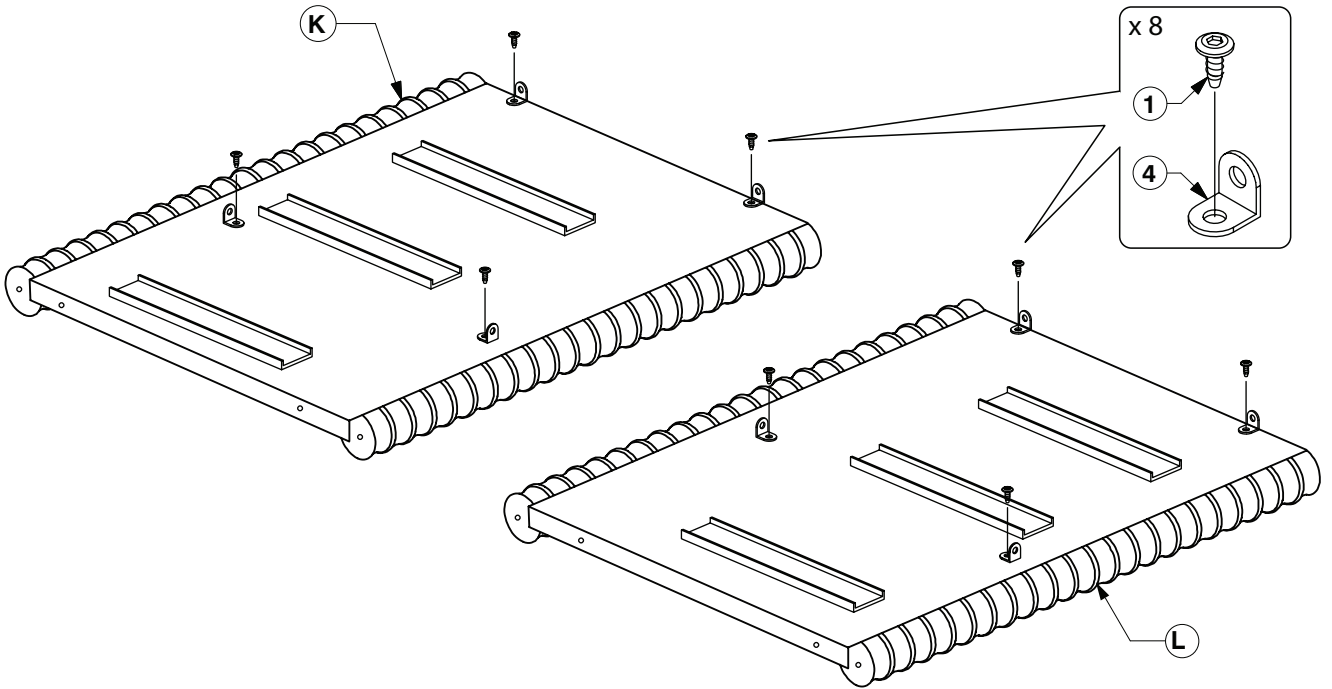


# 9020 6 Drawer Dresser

## Assembly Instructions

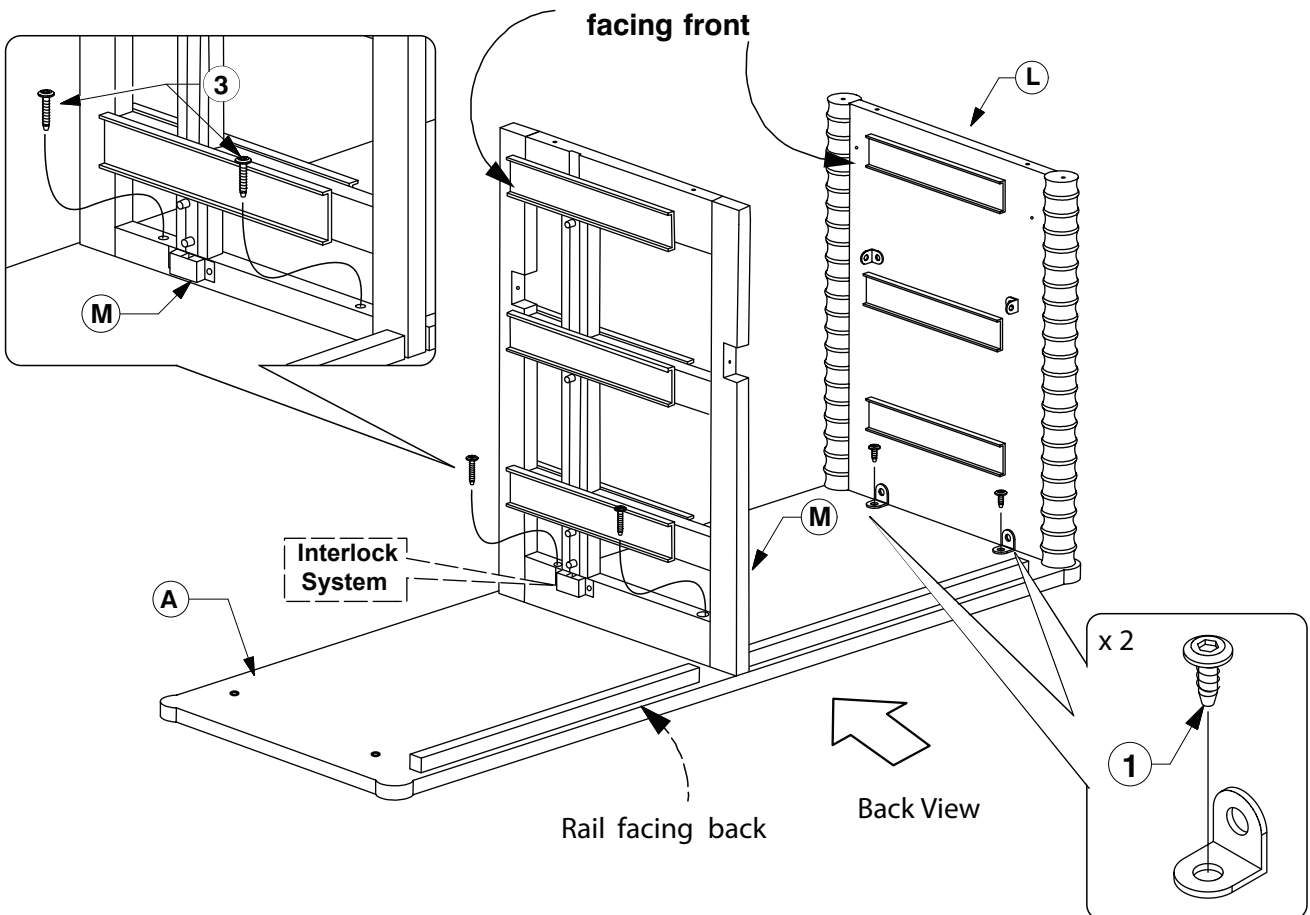
WI-0825

### 4 Fit the 'L' Bracket to the Side Panel (K & L) .



### 5 Fit the Side Panel- Right Hand (L) & Center Frame (M) to the Top Panel (A).

**Important:**  
Drawer Runner  
facing front

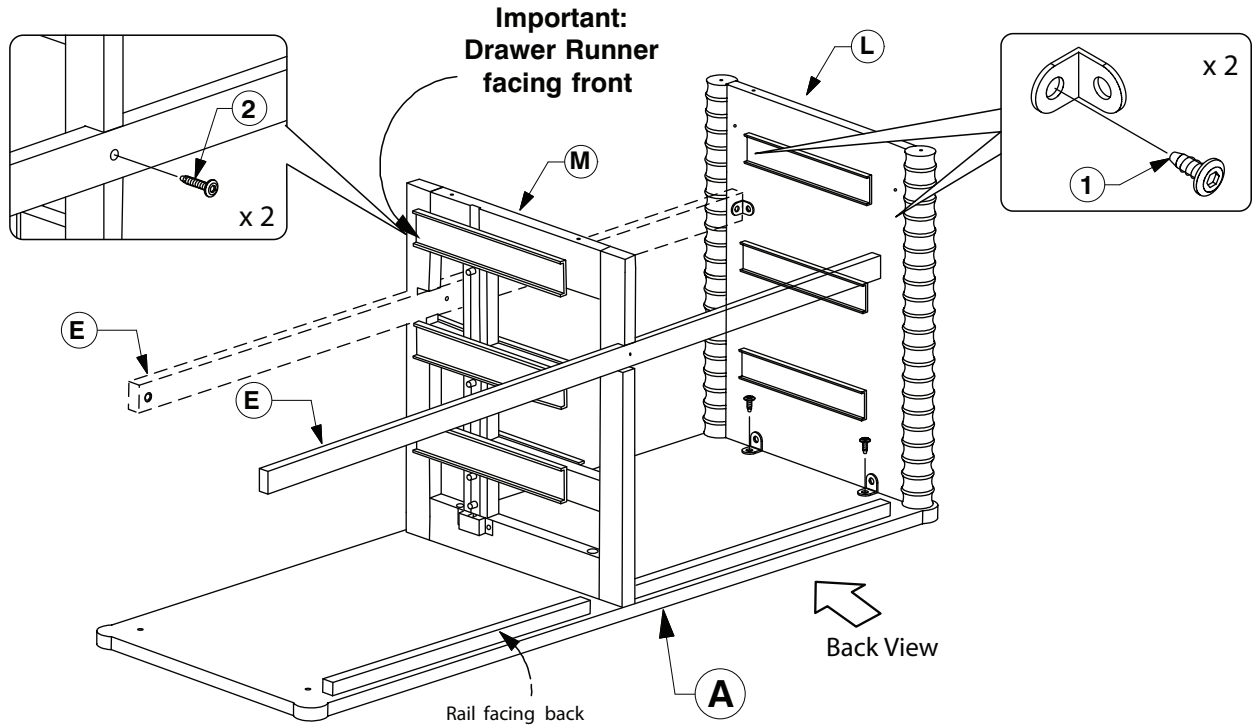


# 9020 6 Drawer Dresser

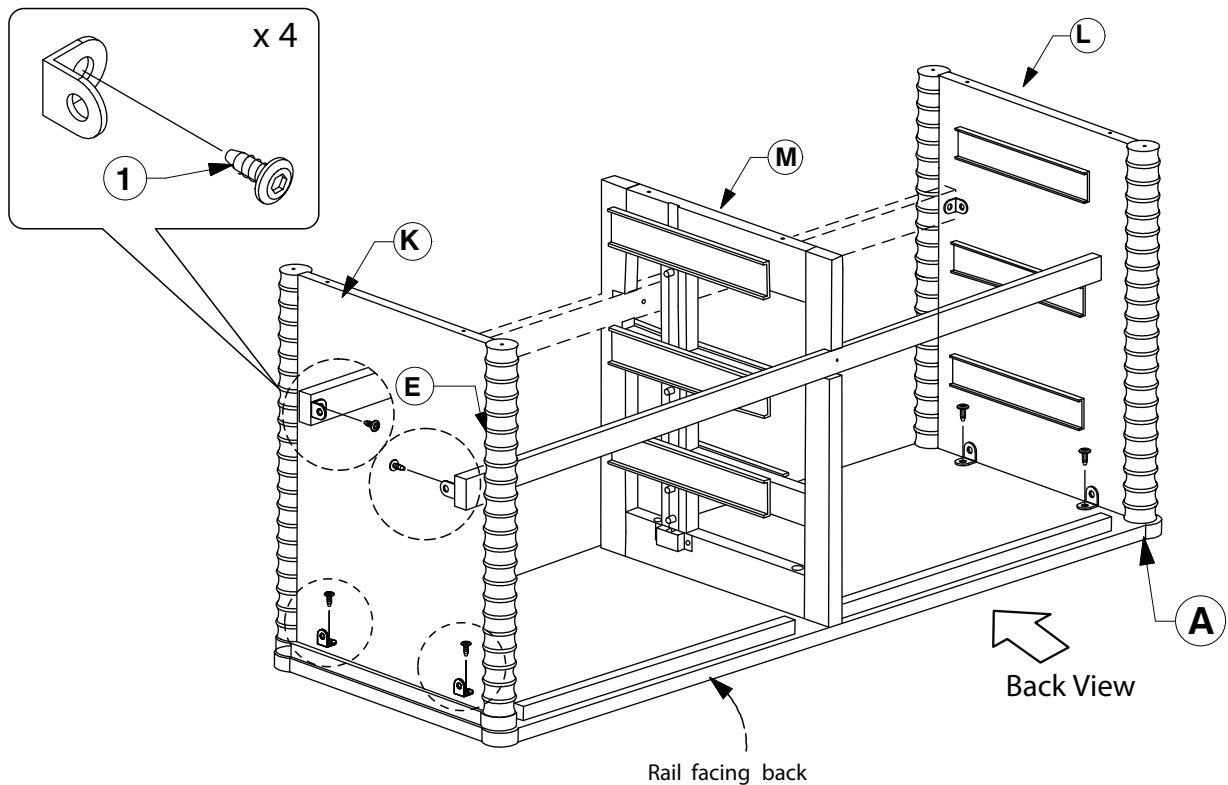
## Assembly Instructions

WI-0825

- 6** Fit the Support Bar (E) to the Side Panel -Right Hand (L) and Center Frame (M) as shown.



- 7** Fit the other side of Side Panel- Left Hand (K) to the Top Panel (A) & Support Bar (E).

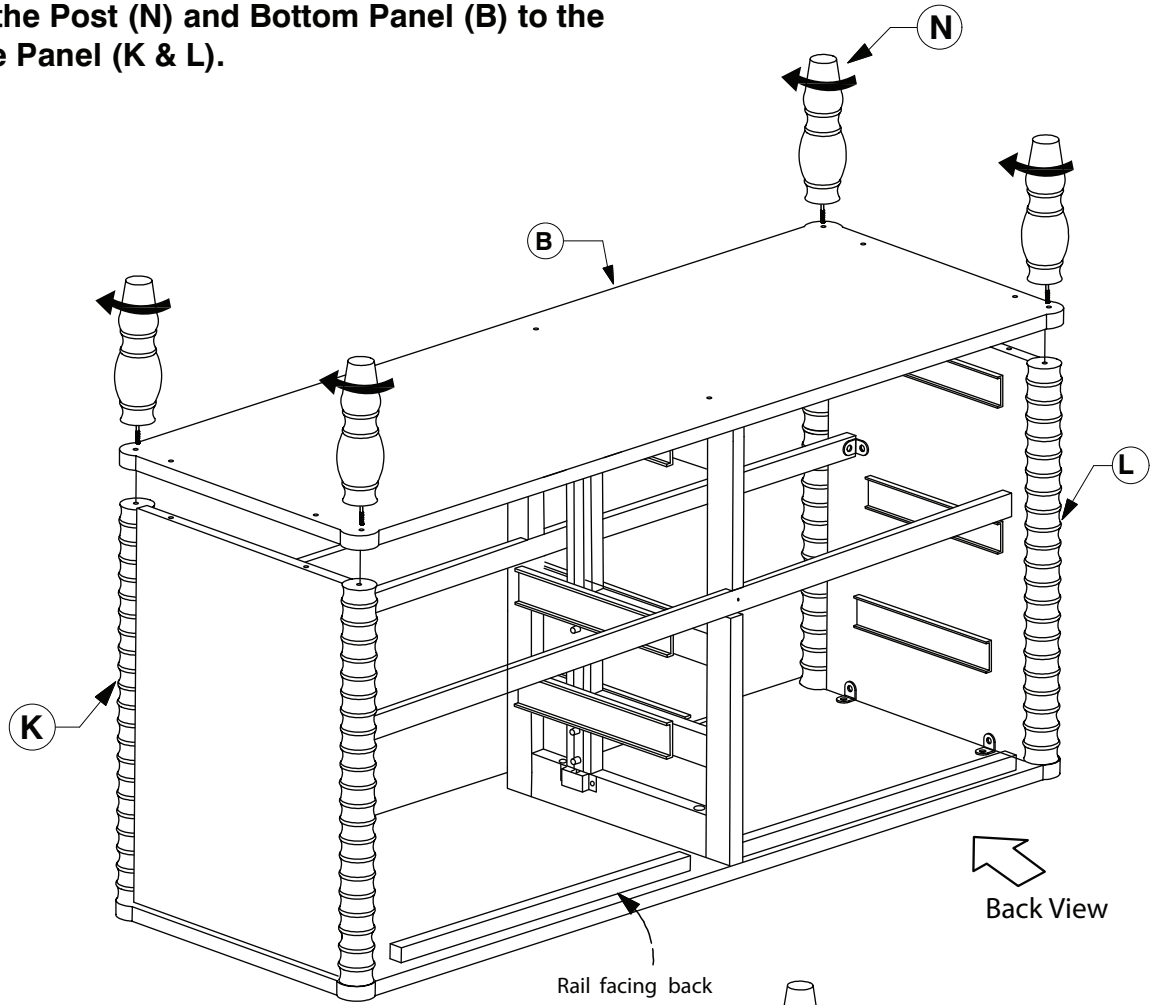


# 9020 6 Drawer Dresser

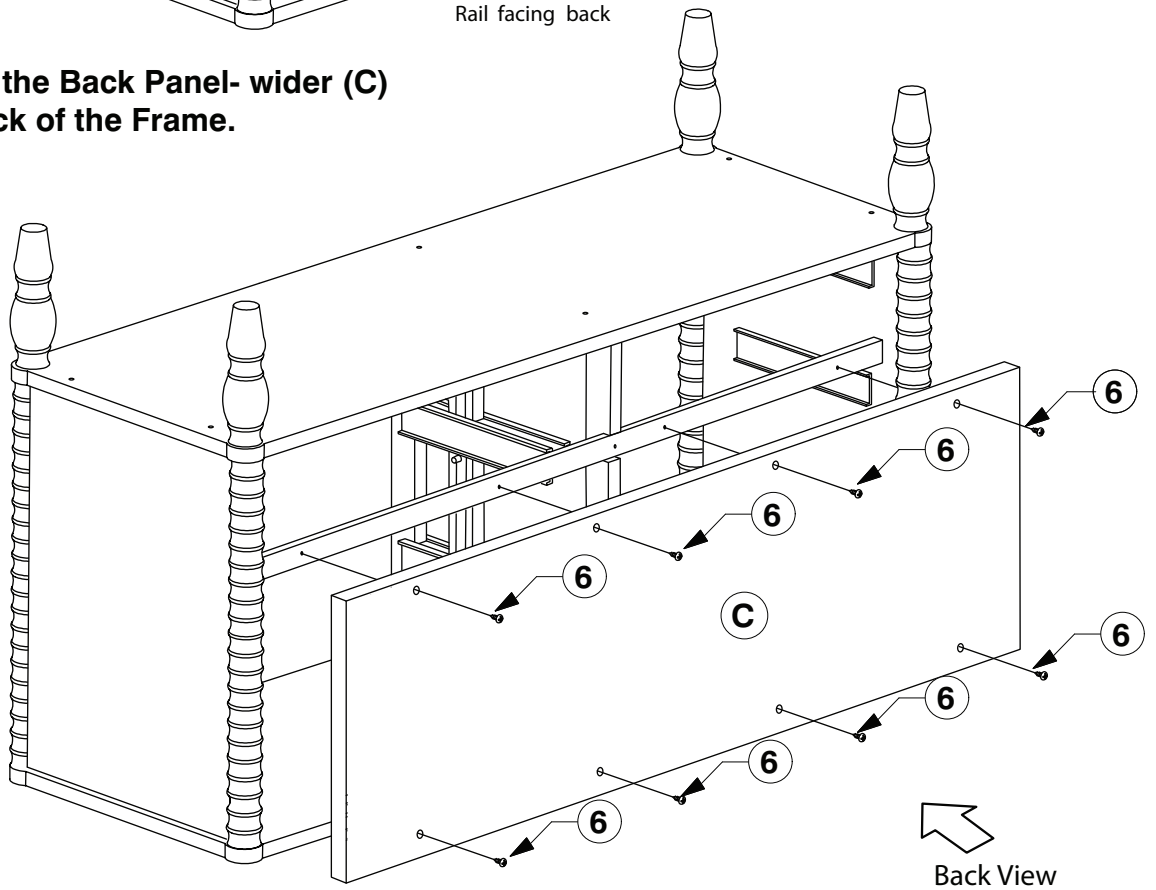
## Assembly Instructions

WI-0825

- 8** Fix the Post (N) and Bottom Panel (B) to the Side Panel (K & L).



- 9** Attached the Back Panel- wider (C) to the back of the Frame.

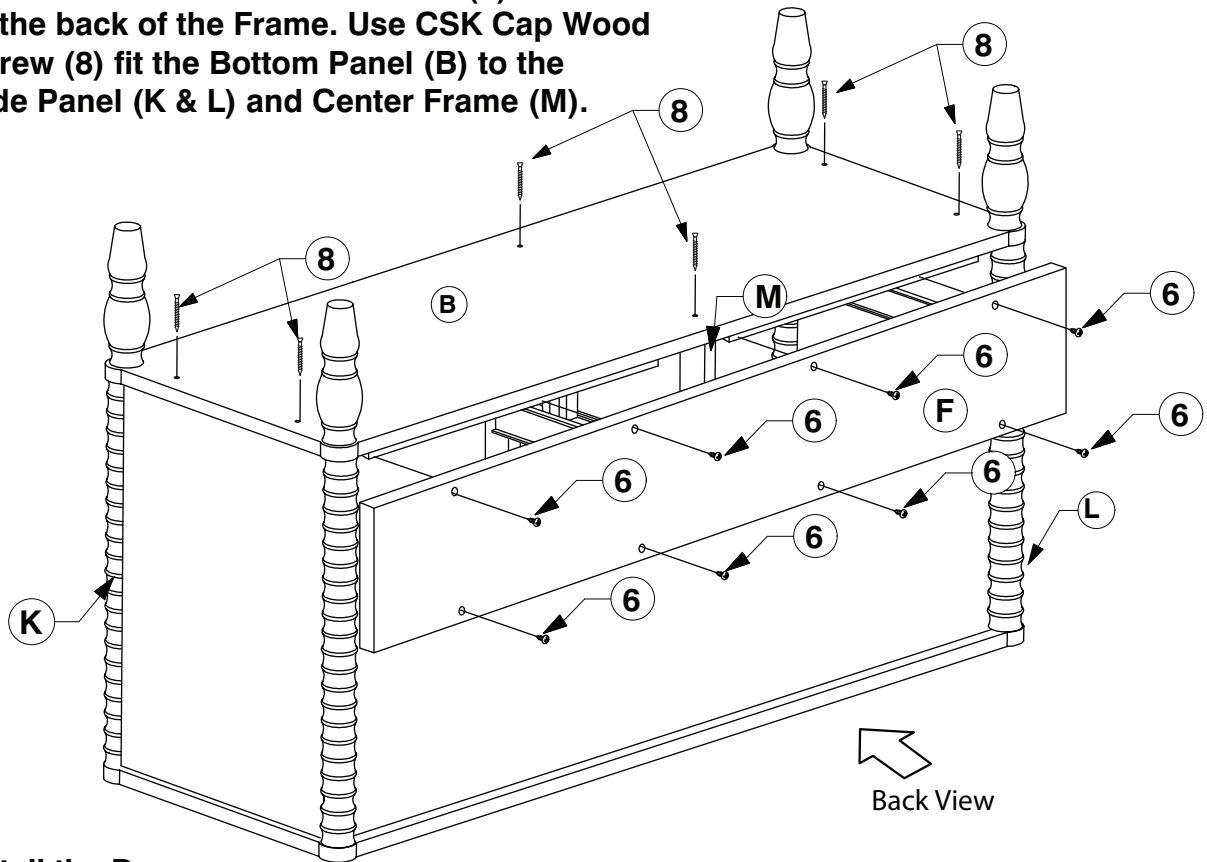


# 9020 6 Drawer Dresser

## Assembly Instructions

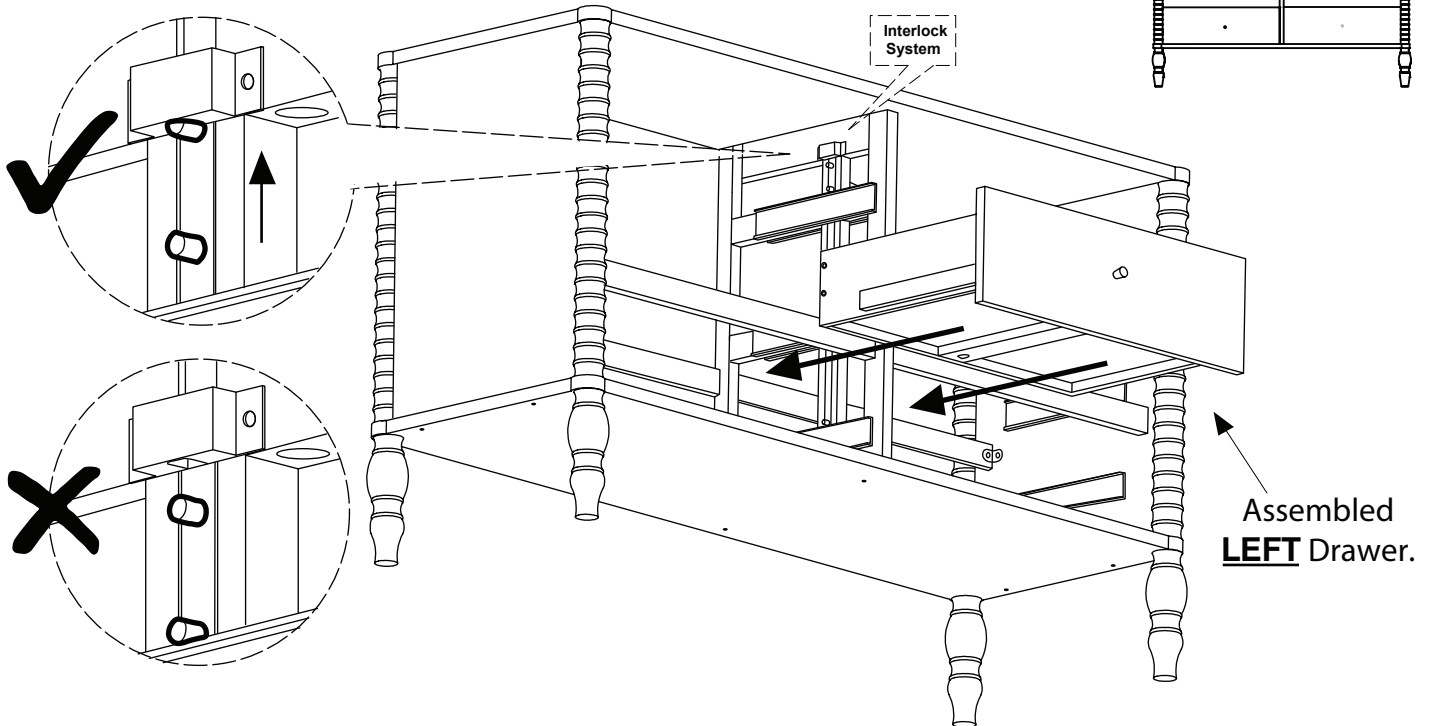
WI-0825

- 10** Attached the Back Panel- narrow (F) to the back of the Frame. Use CSK Cap Wood Screw (8) fit the Bottom Panel (B) to the Side Panel (K & L) and Center Frame (M).



- 11** Install the Drawers.

- Push the Interlock bar **upwards** before inserting the drawers.

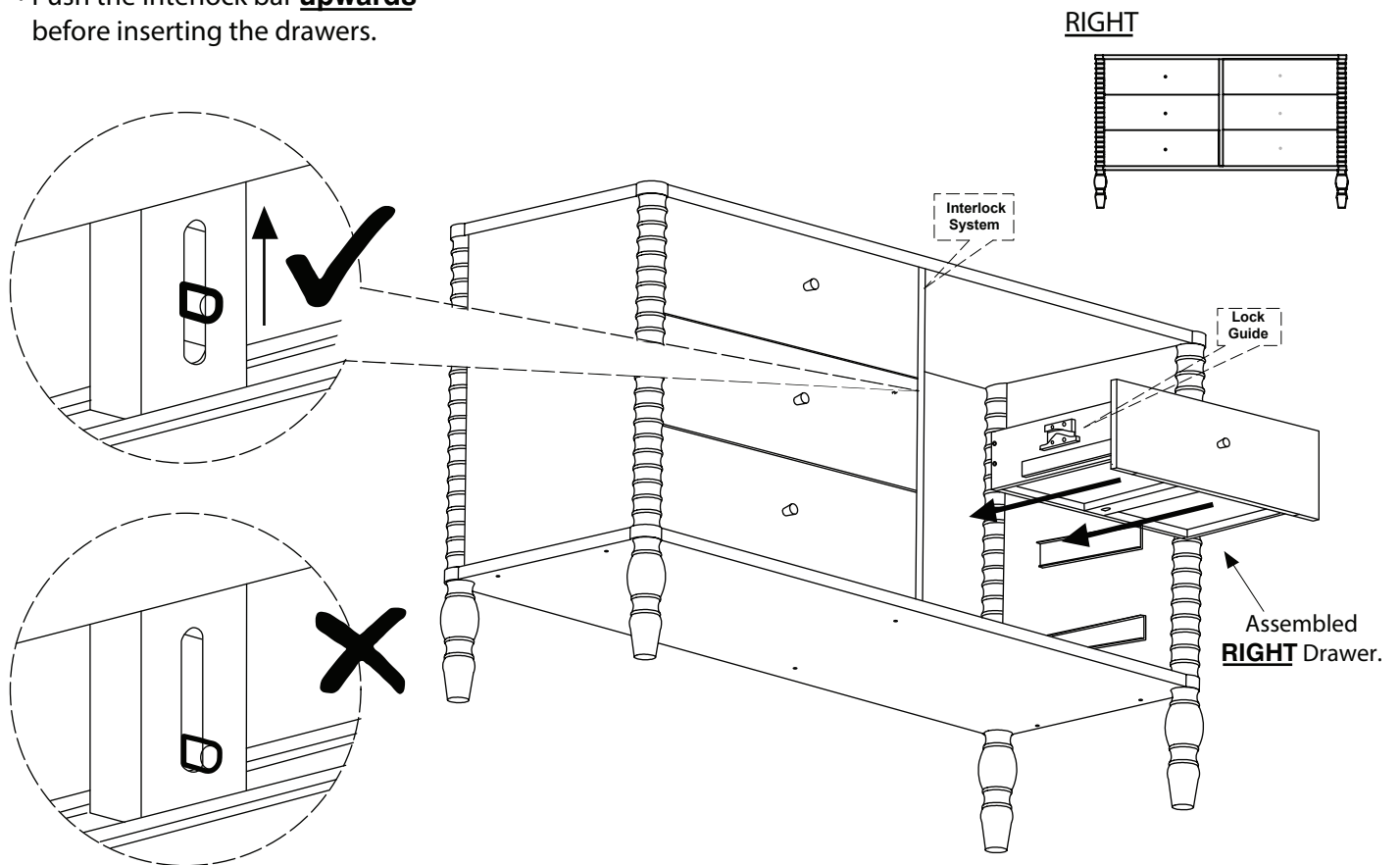


# 9020 6 Drawer Dresser

## Assembly Instructions

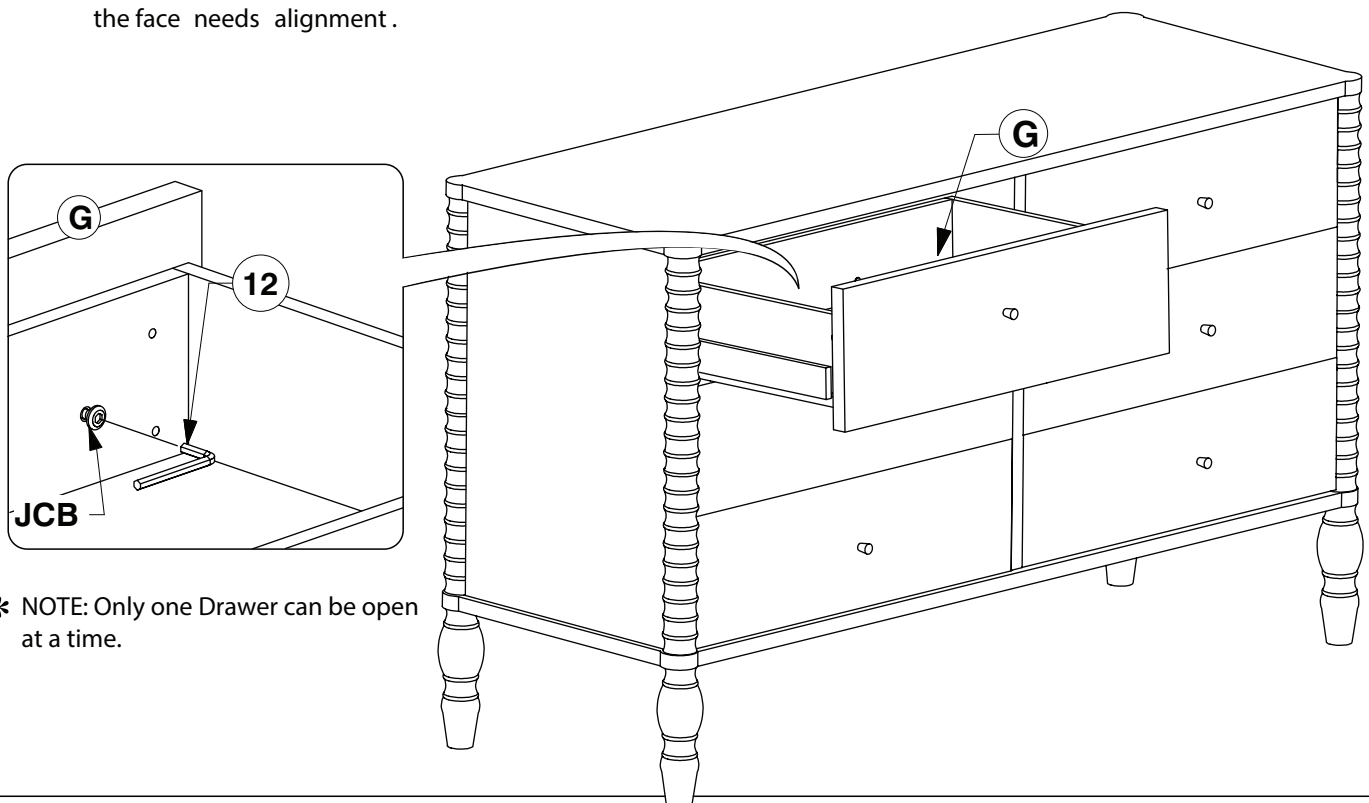
WI-0825

- Push the Interlock bar **upwards** before inserting the drawers.



### 12 Adjust the Drawer Face (G).

- \* NOTE: Before fitting the Wood Screws .  
Losen the JCBs on the Drawer Face if the face needs alignment.



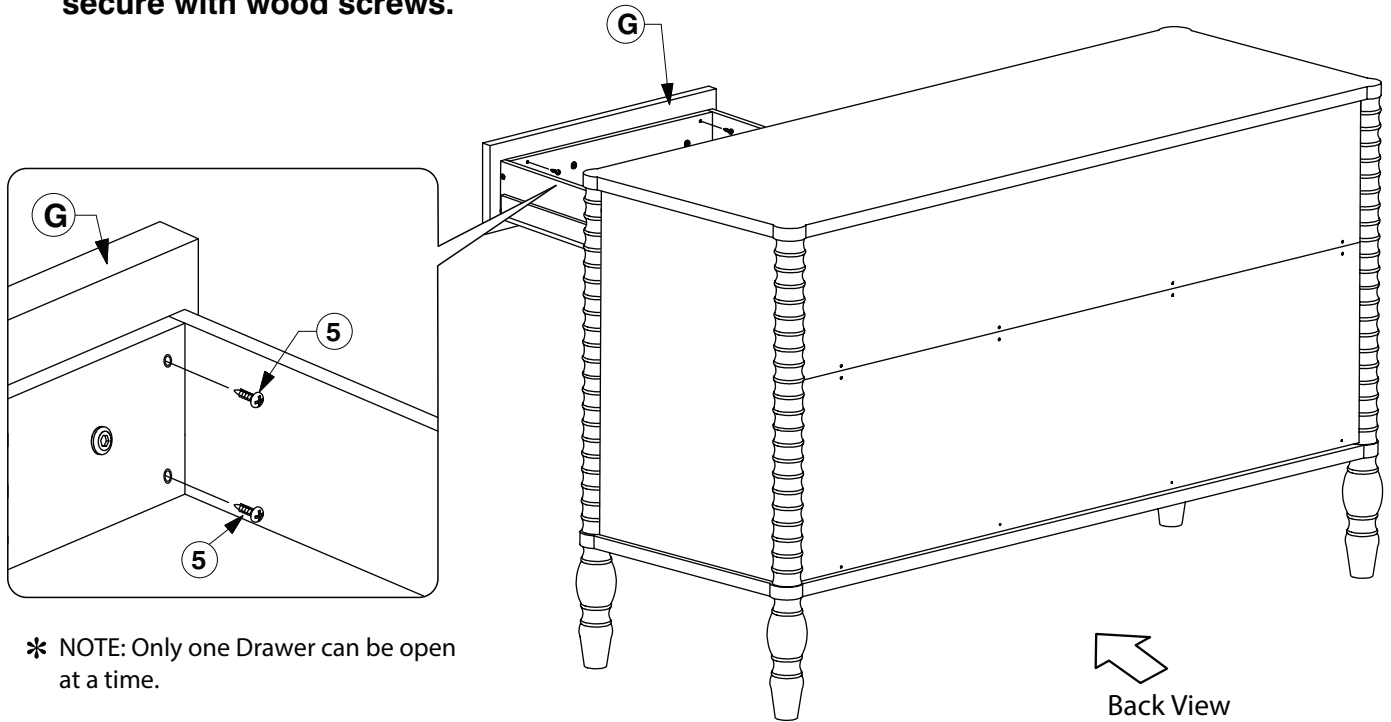
- \* NOTE: Only one Drawer can be open at a time.

# 9020 6 Drawer Dresser

## Assembly Instructions

WI-0825

- 13** After the Drawer Faces (G) are aligned, secure with wood screws.



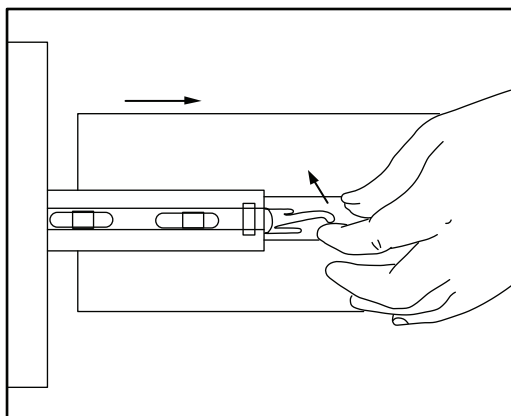
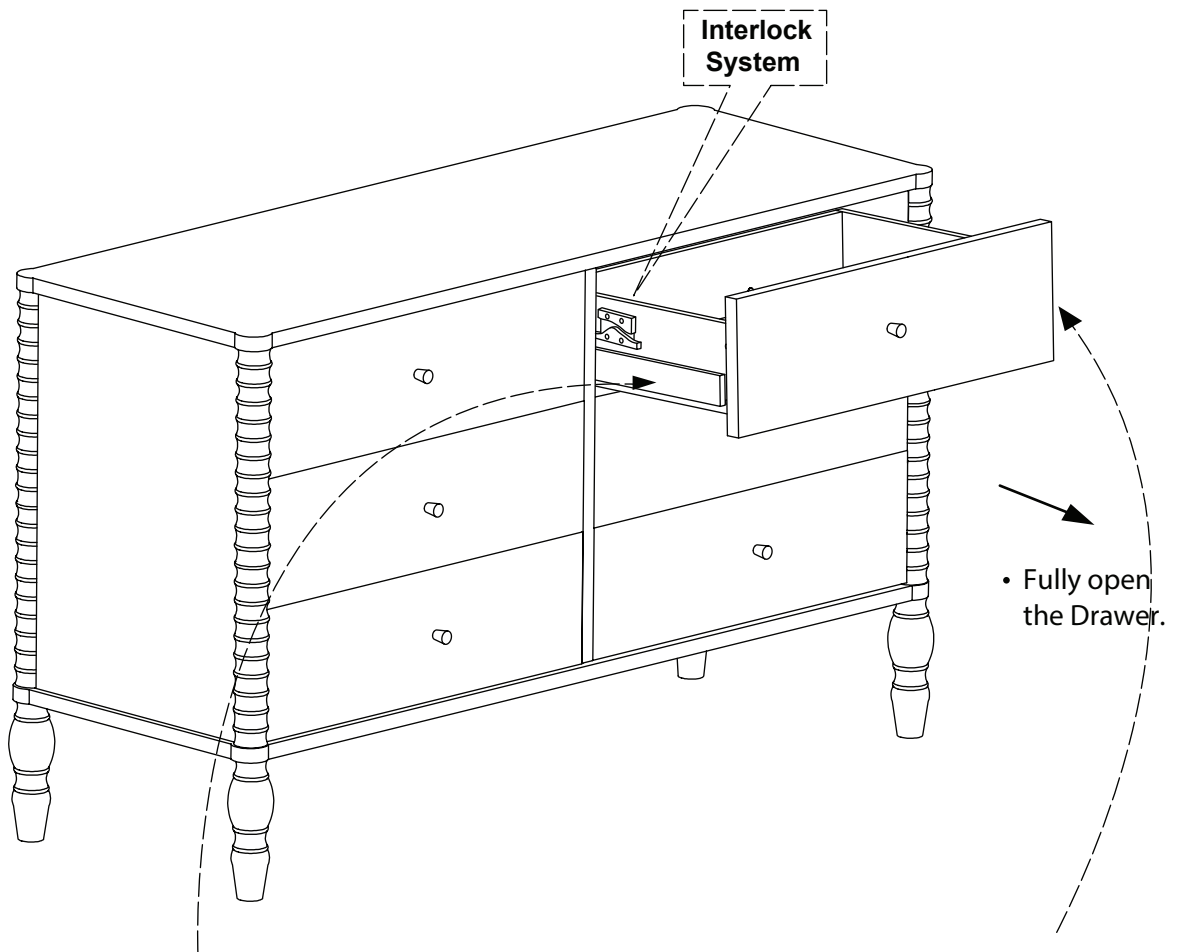
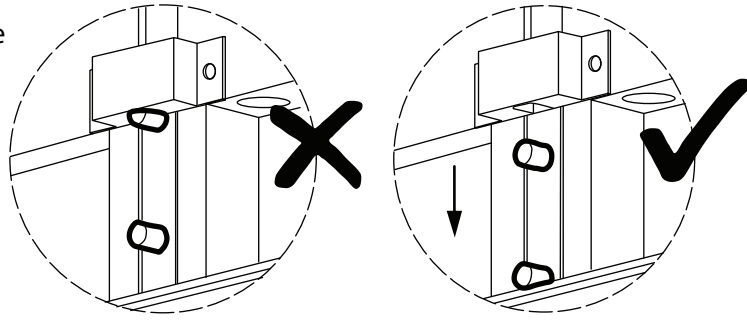
# 9020 6 Drawer Dresser

## Assembly Instructions

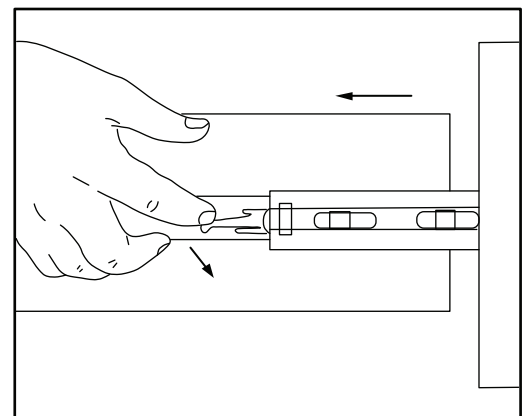
WI-0825

### 14 Remove the Drawers.

- After removing the top drawer, push the interlock bar **down**. Then remove the lower drawers.



- Lift the **LEFT** side clip **up**.



- Push the **RIGHT** side clip **down**.