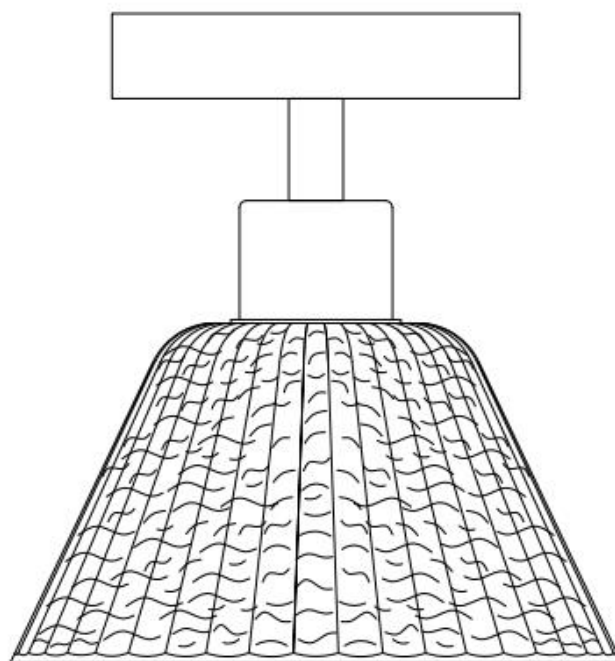




Parrot Uncle

C3011GN

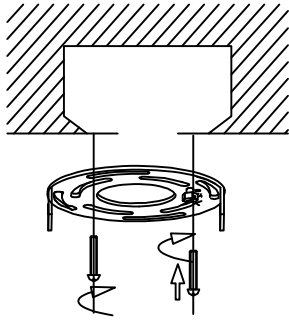


English / Español / Français

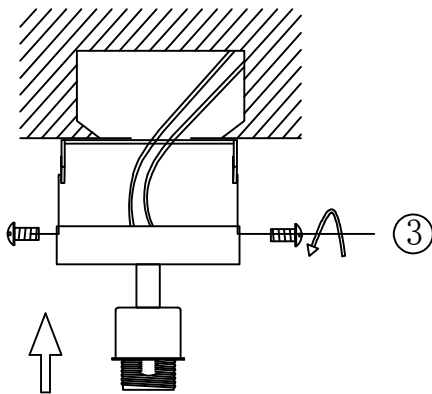
www.parrotuncle.com

C3011GN

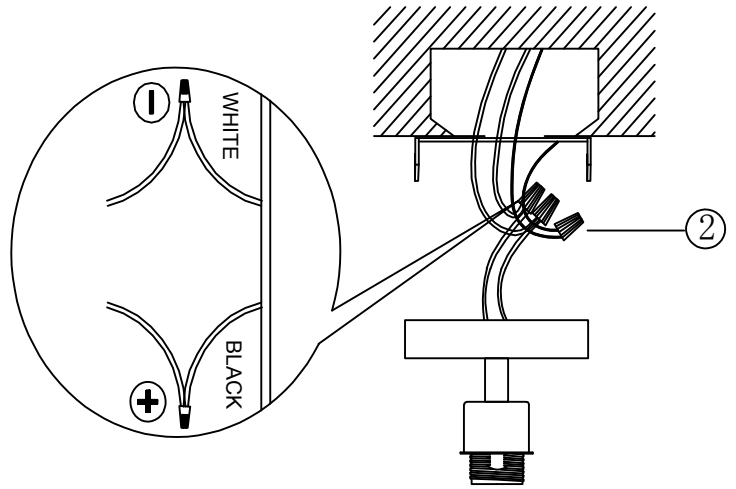
①



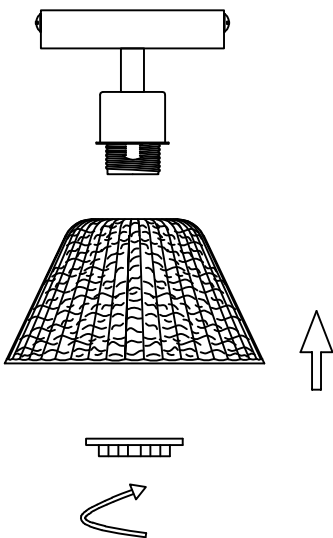
Install the bracket on top of the box



Screw the screw into the mounting board, and secure the light to the mounting board.

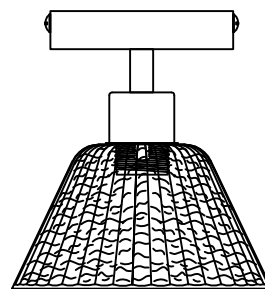


The black line is: L
The white line is: N
The yellow and green lines are: grounding wires

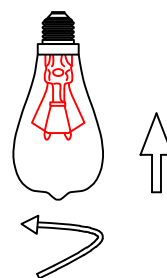


④

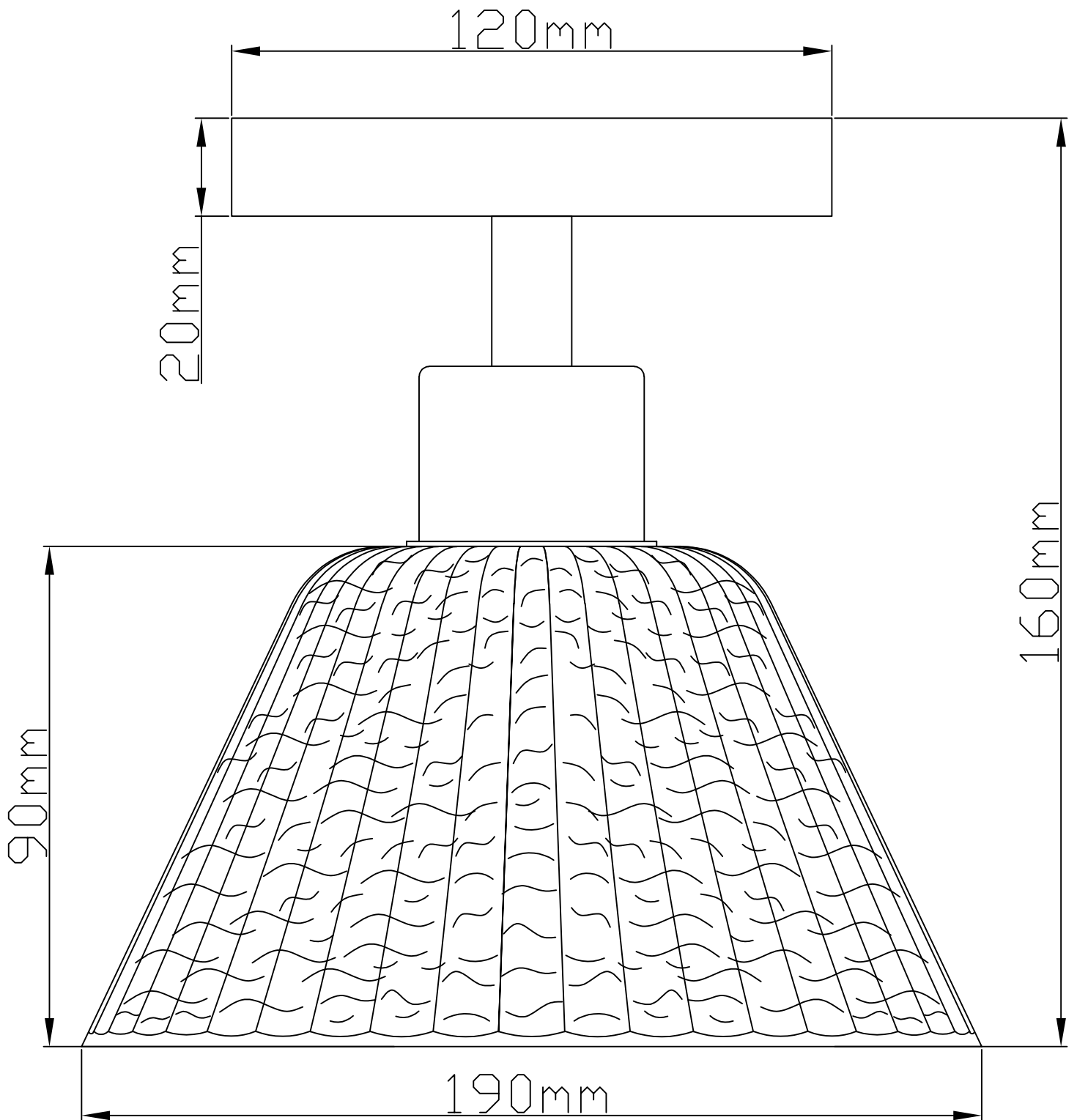
Install the lamp cap ring



⑤



Installing bulb





Parrot Uncle

MADE IN CHINA