



OneSpace™

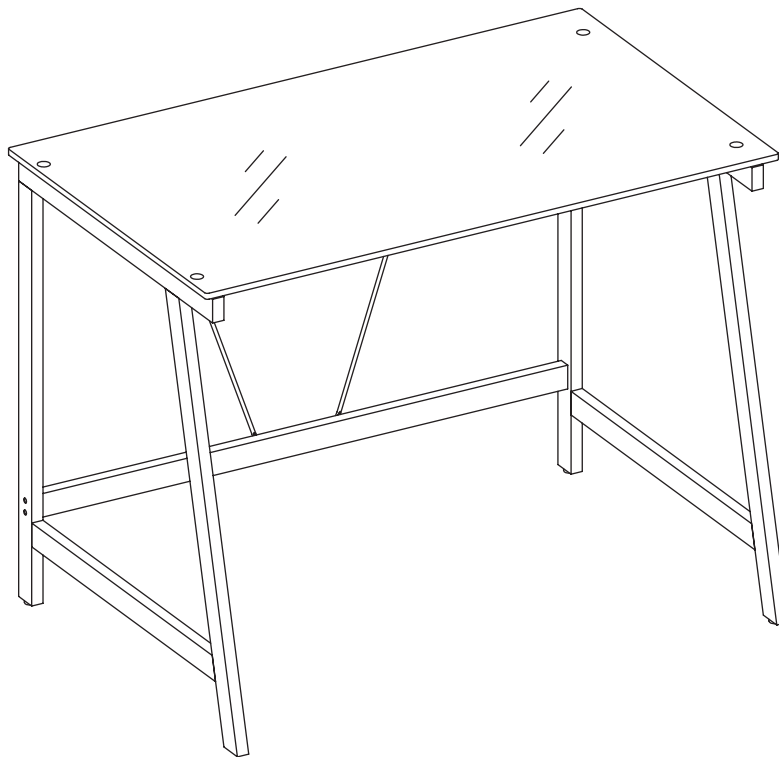
OneSpace is a Trademark of Comfort Products, Inc.

ASSEMBLY INSTRUCTIONS

MODEL 50-HD0107

SUPPLIER CODE: SPRG

Contemporary Glass Writing Desk, Steel Frame, White & Cool Blue



CUSTOMER SERVICE

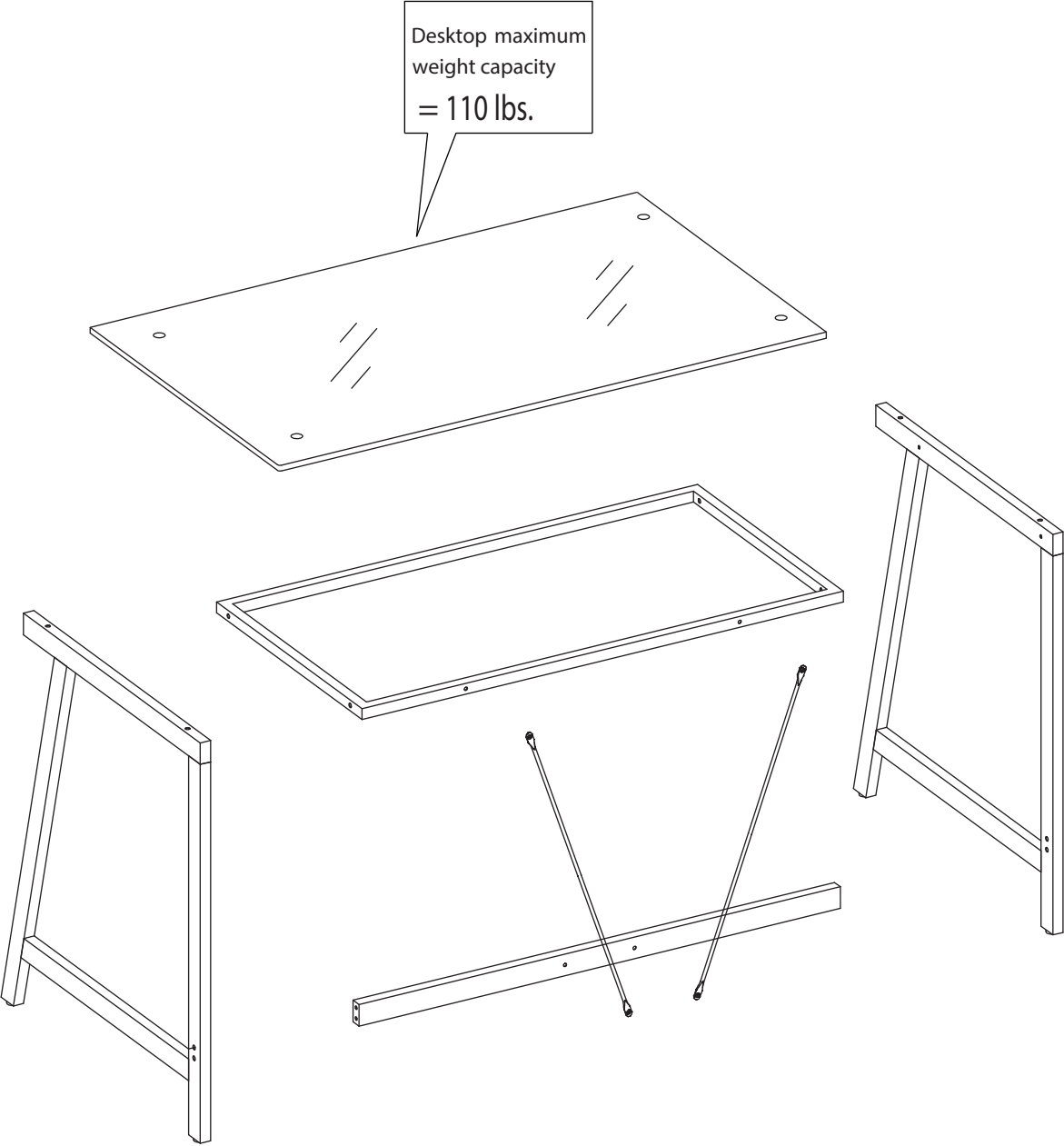
For fastest service on claims, requests for replacement parts, or questions, please visit our website at

www.comfortproducts.net/support

e-mail: customerservice@comfortproducts.net

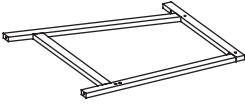
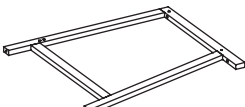
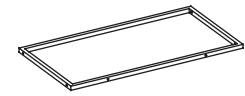
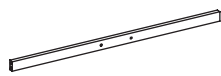

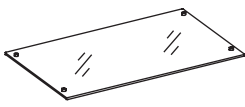
Keep your sales receipt as documentation of your ownership.

ASSEMBLY OVERVIEW





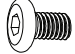



PARTS AND HARDWARE LIST

EXTRA HARDWARE INCLUDED FOR YOUR CONVENIENCE. ITEMS ARE NOT SHOWN TO SCALE.

PART	DESCRIPTION	STOCK NO	QTY
1	Left Leg 	51-HD0107LGL	1
2	Right Leg 	51-HD0107LGR	1
3	Desktop Frame 	51-HD0107DF	1
4	Back Bar 	51-HD0107BB	1
5	Support Bar 	51-HD0107SB	2
6	Desktop 	51-HD0107DT	1

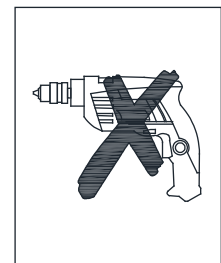
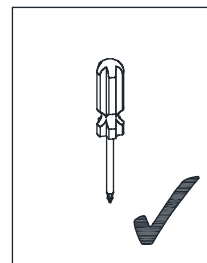
HARDWARE KIT

STOCK # 51-HD0107HA

PART	DESCRIPTION	QTY
A	M6X45MM 	4
B	M6X35MM 	8
C	M6X12MM 	4
D	Washer 	12
E	Foot 	4
F	Allen Wrench 	1
Extra Hardware Pack (A-D)		1

CAUTION

- READ THE INSTRUCTION MANUAL BEFORE ASSEMBLING.
- REMOVE ALL PIECES BEFORE BEGINNING INSTALLATION.
- OPEN THE HARDWARE AS NEEDED.
- ASSEMBLE IN AN AREA WITH PLENTY OF SPACE.
- READ EACH STEP BEFORE BEGINNING CONSTRUCTION.
- HAVE THE TOOLS BELOW BEFORE YOU BEGIN ASSEMBLING.
- NEVER FORCE THE SCREWS OR FITTINGS.
- KEEP THIS MANUAL FOR FUTURE REFERENCE.
- TIGHTEN ALL THE SCREWS EVERY 6 MONTHS.
- DO NOT SHIFT OR DRAG THE PRODUCT AFTER ASSEMBLY.
- THE FOLLOWING TOOLS ARE NOT INCLUDED.



CLEANING AND CARE

- CLEAN SURFACES WITH A DRY OR DAMP CLOTH.
- DO NOT USE ABRASIVE CLEANERS.
- DO NOT USE FURNITURE WAX OR POLISH AS THE UNIT IS FINISHED WITH A PROTECTIVE CLEAR LACQUER.

REPLACEMENT PARTS

IF YOU ARE MISSING ANY OF THE PARTS ABOVE, OR IF YOU HAVE A DAMAGED PART, PLEASE VISIT WWW.COMFORTPRODUCTS.NET/SUPPORT. REFERENCE THE MODEL # ON THE FRONT OF THIS MANUAL. SIMPLY COMPLETE THE INFORMATION, INCLUDING THE PART YOU NEED. THE PART WILL NORMALLY BE SHIPPED WITHIN 48 HOURS.

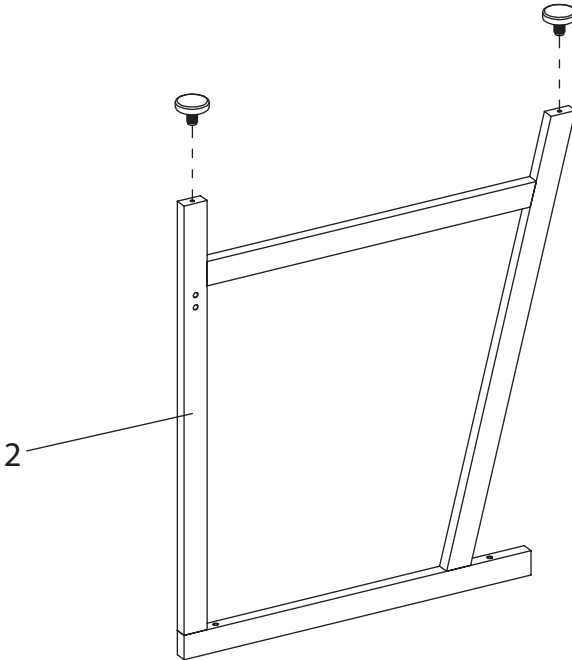
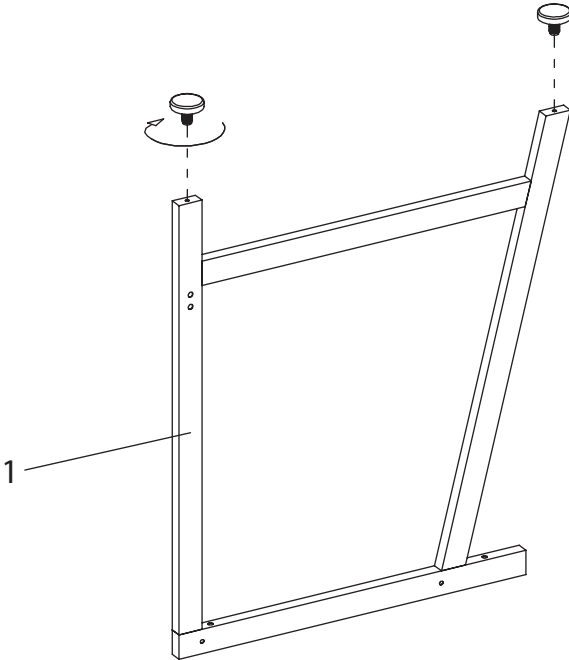
ASSEMBLY INSTRUCTIONS

STEP 1

Screw the Feet (E) into the Legs (1 & 2).



Ex 4

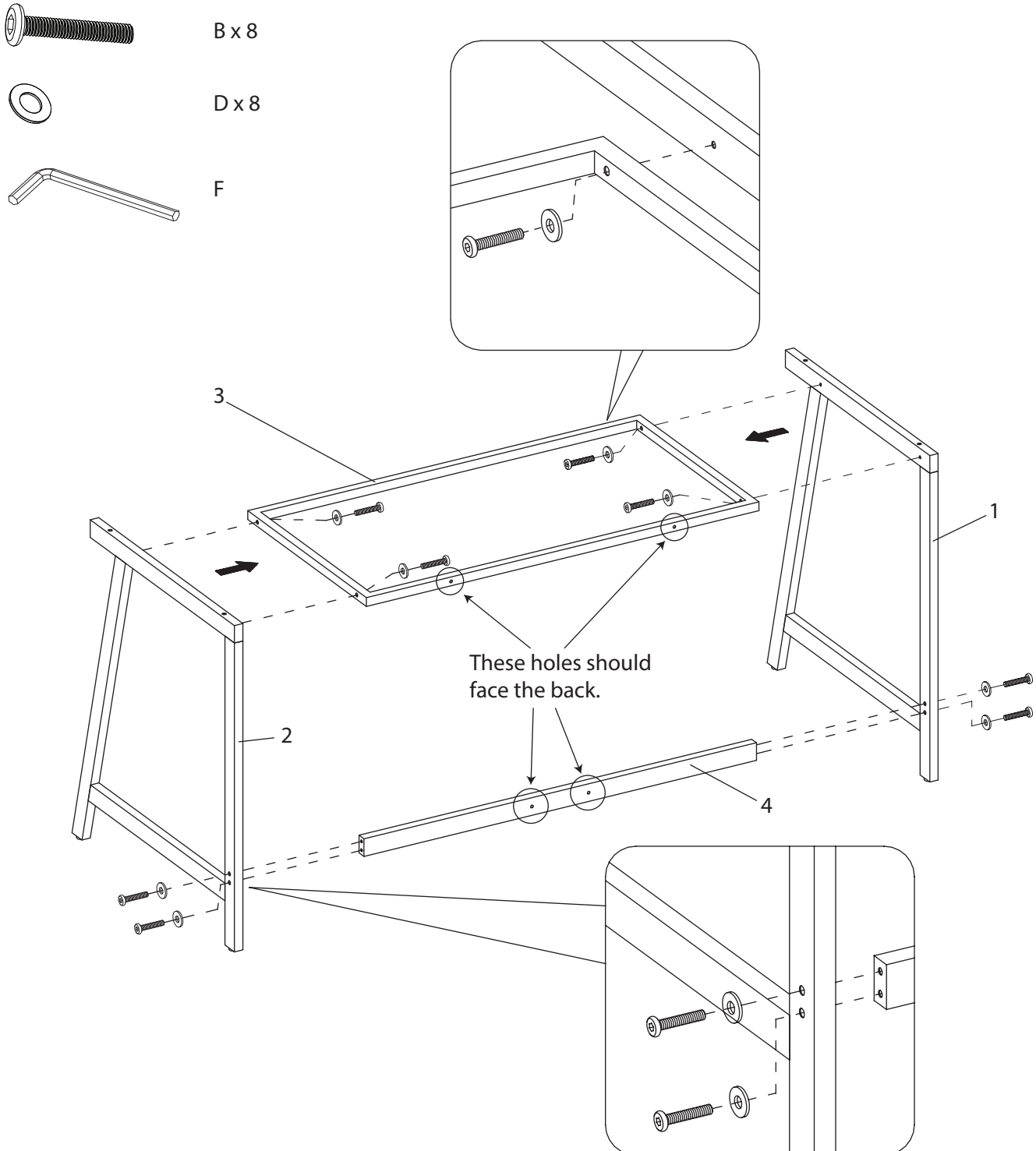


ASSEMBLY INSTRUCTIONS

DO NOT TIGHTEN SCREWS UNTIL COMPLETELY ASSEMBLED

STEP 2

Attach the Legs (1 & 2) to the Desktop Frame (3) and the Back Bar (4) using eight Screws (B) and eight Washers (D). Make sure the screw holes circled below are facing the back. Do not tighten the screws completely until the Desktop (6) is attached.



ASSEMBLY INSTRUCTIONS

DO NOT TIGHTEN SCREWS UNTIL COMPLETELY ASSEMBLED

STEP 3

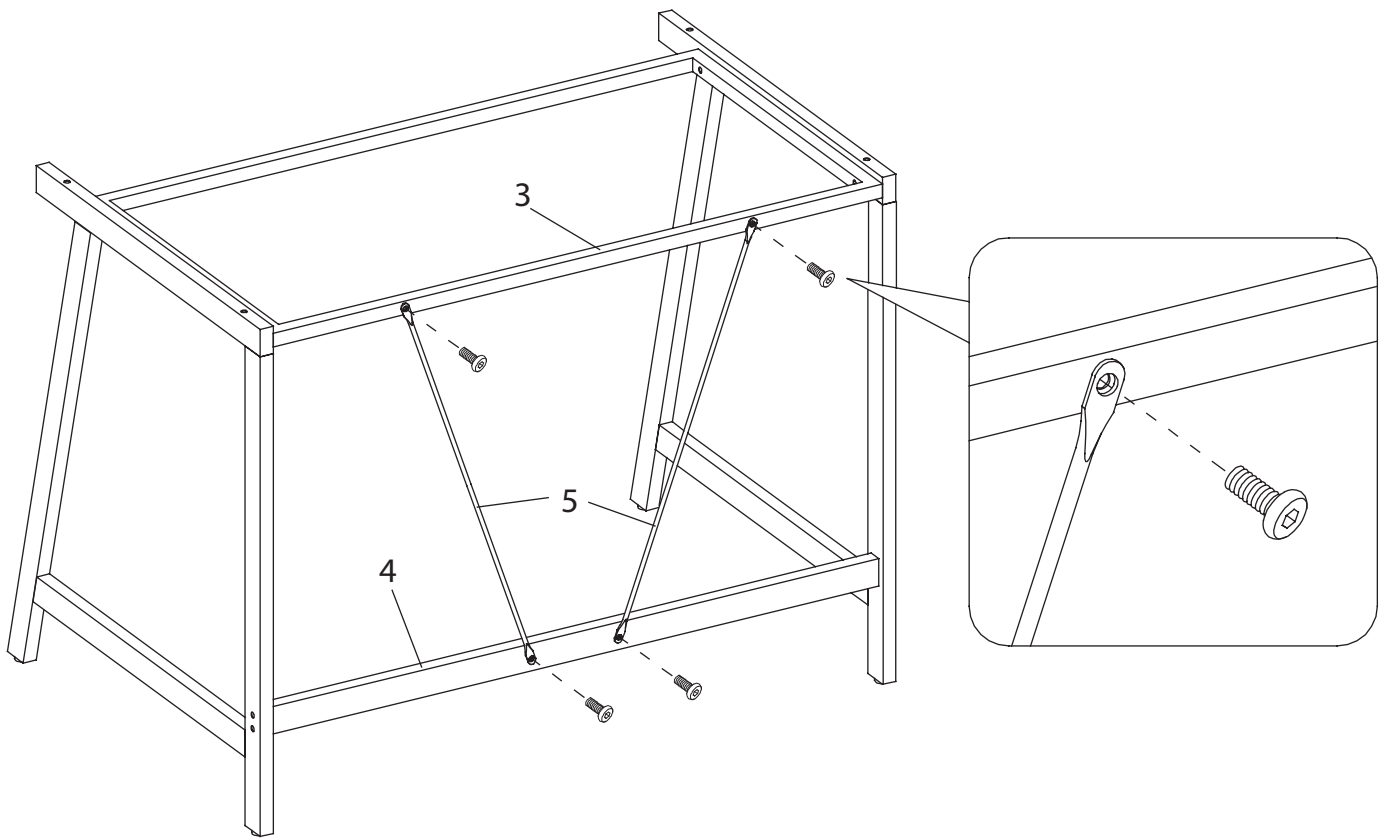
Attach the Support Bars (5) to the Desktop Frame (3) and Back Bar (4) using four Screws (C).



C x 4



F



ASSEMBLY INSTRUCTIONS

DO NOT TIGHTEN SCREWS UNTIL COMPLETELY ASSEMBLED

STEP 4

Attach the Desktop (6) to the legs using four Screws (A) and four Washers (D). If the Screws (A) will not line up correctly, loosen the screws from steps 2 and 3. After aligning all four screws for the Desktop, tighten them completely and then do the same with the other screws.



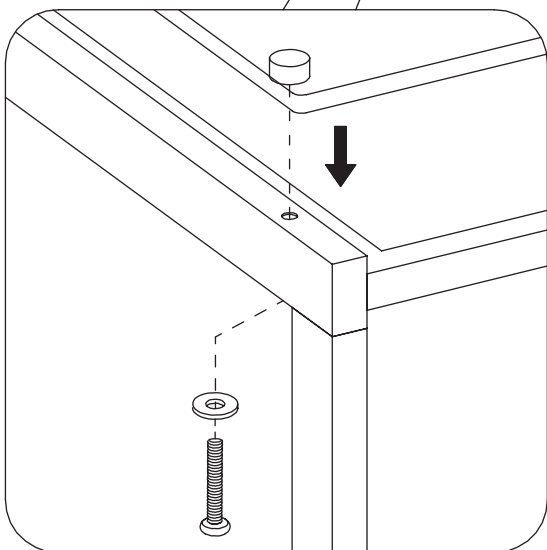
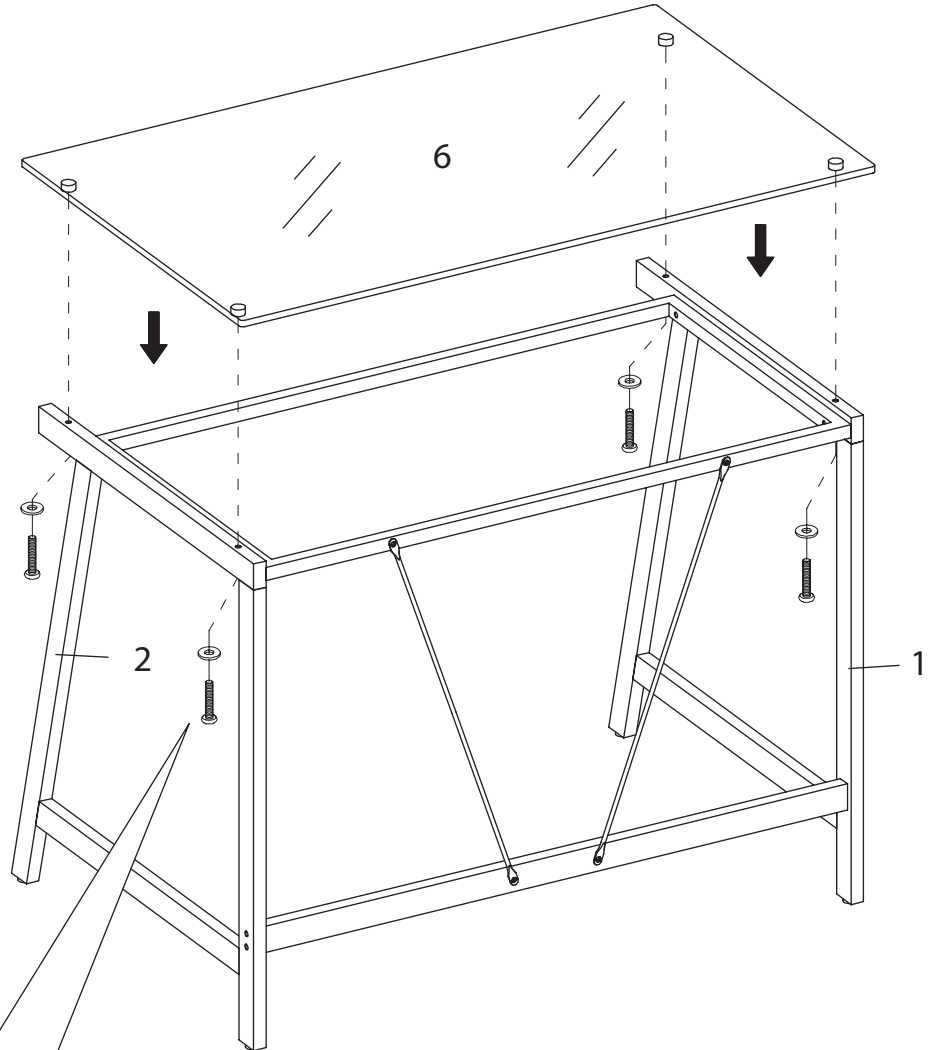
A x 4



D x 4



F



SAFETY AND MAINTENANCE

- DO NOT stand on the desk. Do not use the desk as a stepladder.
- DO NOT use the desk unless all bolts and screws are firmly secured.
- Every 6 months, check all bolts and screws to ensure they are tight.

LIMITED WARRANTY

PLEASE VISIT WWW.COMFORTPRODUCTS.NET FOR WARRANTY INFORMATION

Comfort Products warrants this product to be free from defects in material and workmanship for one (1) year. This warranty is made by Comfort Products only to the original end-user customer acquiring the product directly from Comfort Products' authorized dealers as shown by the original sales receipt. The end-user customer remedy pursuant to this warranty is limited to repair or replacement of parts at Comfort Products' option within a reasonable amount of time. Comfort Products reserves the right to require damaged parts to be returned to Comfort Products upon request. Consent from Comfort Products must be obtained before any warranty work is performed. This warranty applies under conditions of normal use and is not subject to defects caused by improper assembly or disassembly; defects occurring after purchase due to product modification, intentional damage, fire, misuse, negligence, or exposure to the elements; labor or assembly cost. This warranty does not cover the cost of transportation or labor. In no event shall Comfort Products be liable in either tort or contract for any loss or direct, special, incidental, consequential or exemplary damages. This Limited Warranty is NOT applicable to end-user customers who use Comfort Products for rental purposes. This warranty applies only to end-user customers in the United States. All warranties are limited to the original purchaser for normal use. The weight capacity of the desktop is 110 pounds. For claims or questions concerning this warranty, please visit www.comfortproducts.net or email us at customerservice@comfortproducts.net

MODEL: 50-HD0107

Comfort Products, Inc.
122 Gayoso Avenue, Suite 101
Memphis, TN 38103
Product made in China.
www.comfortproducts.net



OneSpace™
OneSpace is a Trademark of Comfort Products, Inc.